



US00D392325S

United States Patent [19]

Cheris et al.

[11] Patent Number: **Des. 392,325**

[45] Date of Patent: ****Mar. 17, 1998**

[54] **HOLDER FOR PENS, PENCILS AND THE LIKE**

[75] Inventors: **Albert B. Cheris, Highland Park; Mark Dziersk, Chicago, both of Ill.**

[73] Assignee: **Tenex Corporation, Elk Grove Village, Ill.**

[**] Term: **14 Years**

[21] Appl. No.: **68,558**

[22] Filed: **Apr. 1, 1997**

[51] LOC (6) Cl. **19-06**

[52] U.S. Cl. **D19/85; D19/77; D19/95; D19/555; D19/513**

[58] Field of Search **D19/35, 36, 65, D19/75, 77, 81-85, 95, 99, 100; 206/214, 224, 371; 211/69.1-69.9; D7/513, 555**

[56] **References Cited**

U.S. PATENT DOCUMENTS

- D. 232,203 7/1974 Montgomery D7/555
- D. 280,739 9/1985 Wang D19/77

- D. 316,111 4/1991 Hawes, Jr. et al. D19/85
- D. 353,840 12/1994 Dietterich et al. D19/85
- D. 356,232 3/1995 Armstrong et al. D7/513
- 1,496,989 6/1924 Kideney D7/513 X

Primary Examiner—Martie Thompson
Attorney, Agent, or Firm—Lockwood, Alex, FitzGibbon & Cummings

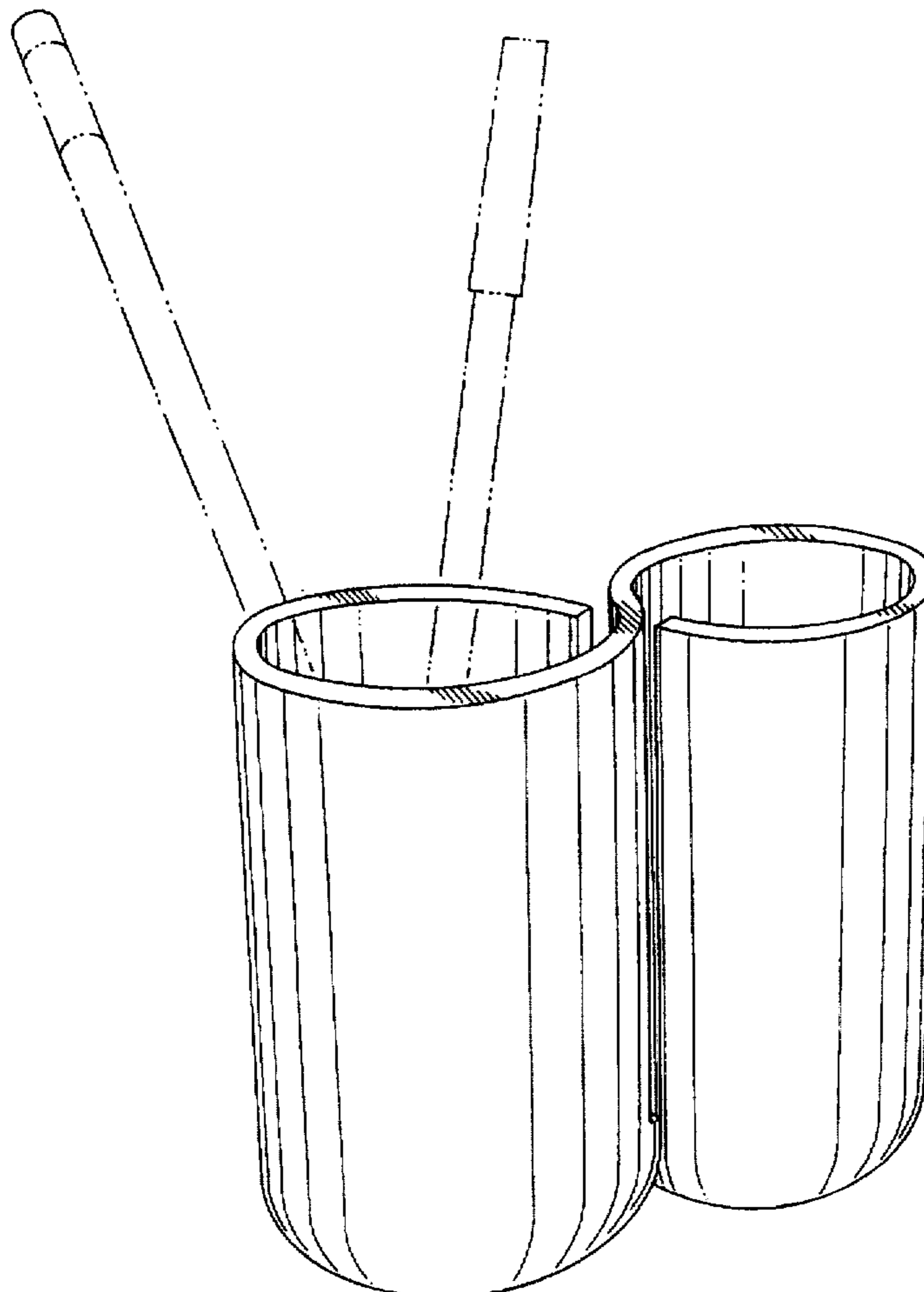
[57] **CLAIM**

The ornamental design for a holder for pens, pencils and the like, as shown and described.

DESCRIPTION

FIG. 1 is a perspective view of a holder for pens, pencils and the like showing our new design, the utensils depicted by means of broken lines being for illustrative purposes only and forming no part of the claimed design; FIG. 2 is a top plan view thereof; FIG. 3 is a front elevational view thereof; FIG. 4 is an elevational view of one side thereof; FIG. 5 is an elevational view of the other side thereof; FIG. 6 is a rear elevational view thereof; and, FIG. 7 is a bottom plan view thereof.

1 Claim, 4 Drawing Sheets



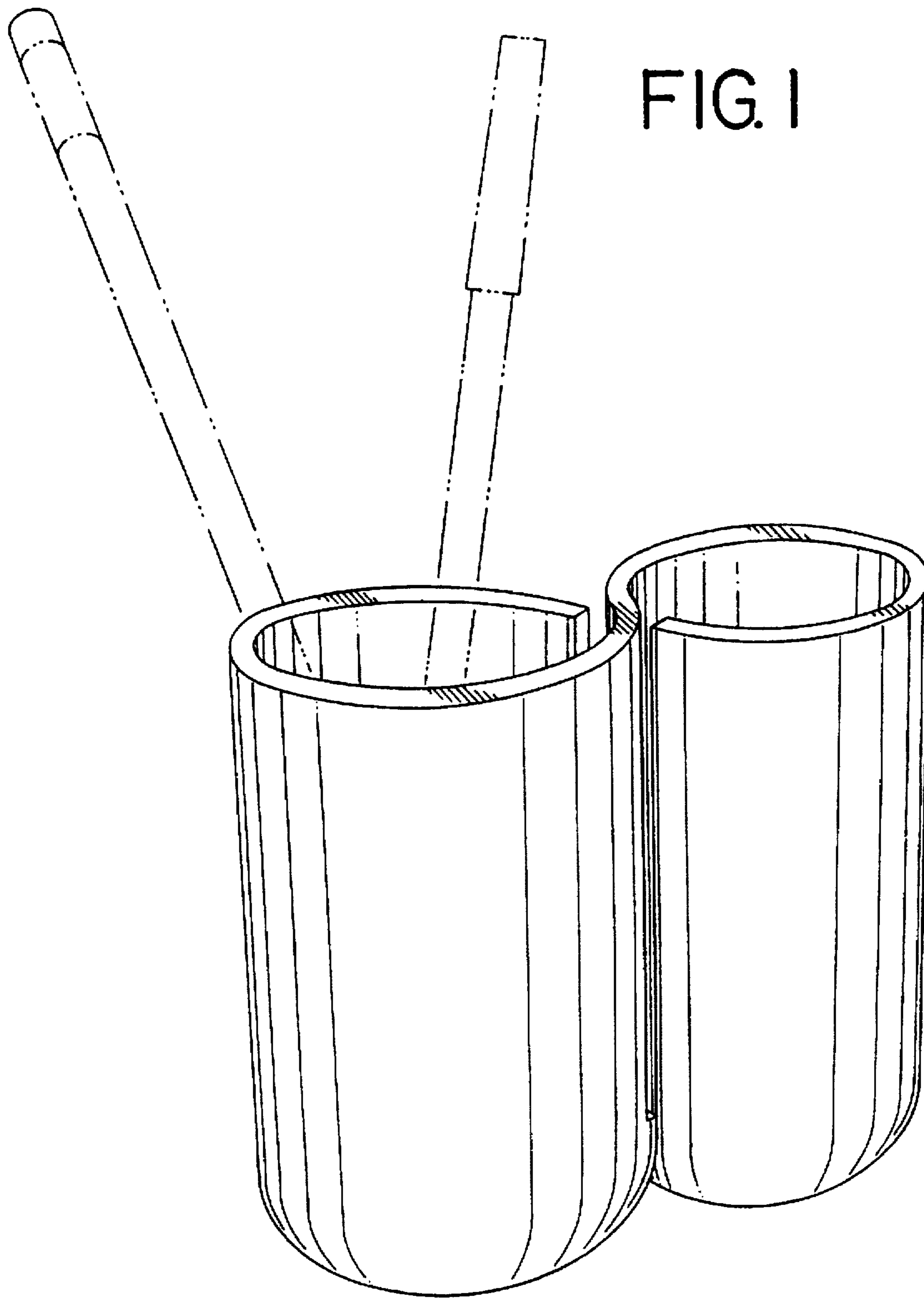


FIG. 1

FIG. 2

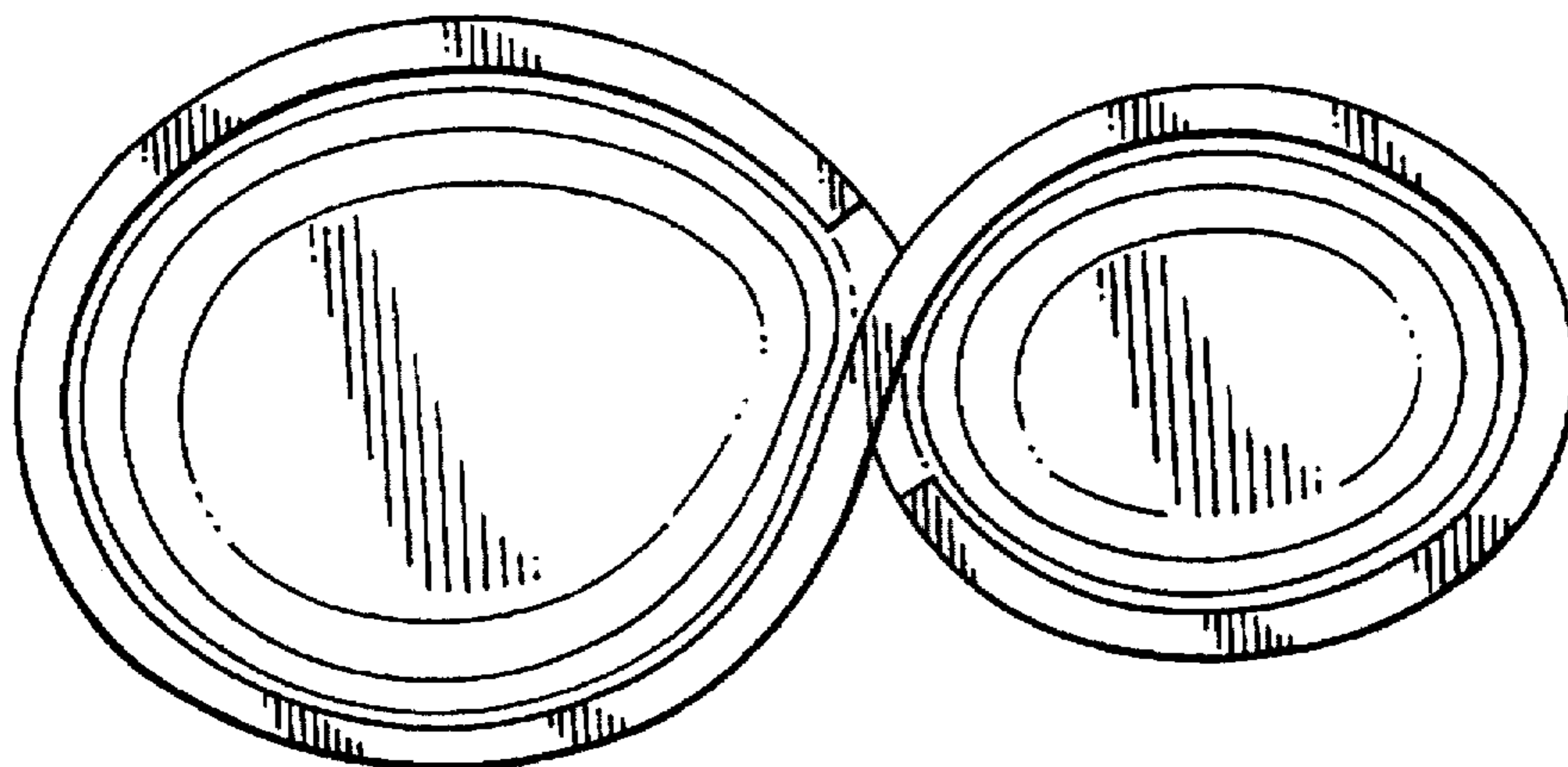


FIG. 3

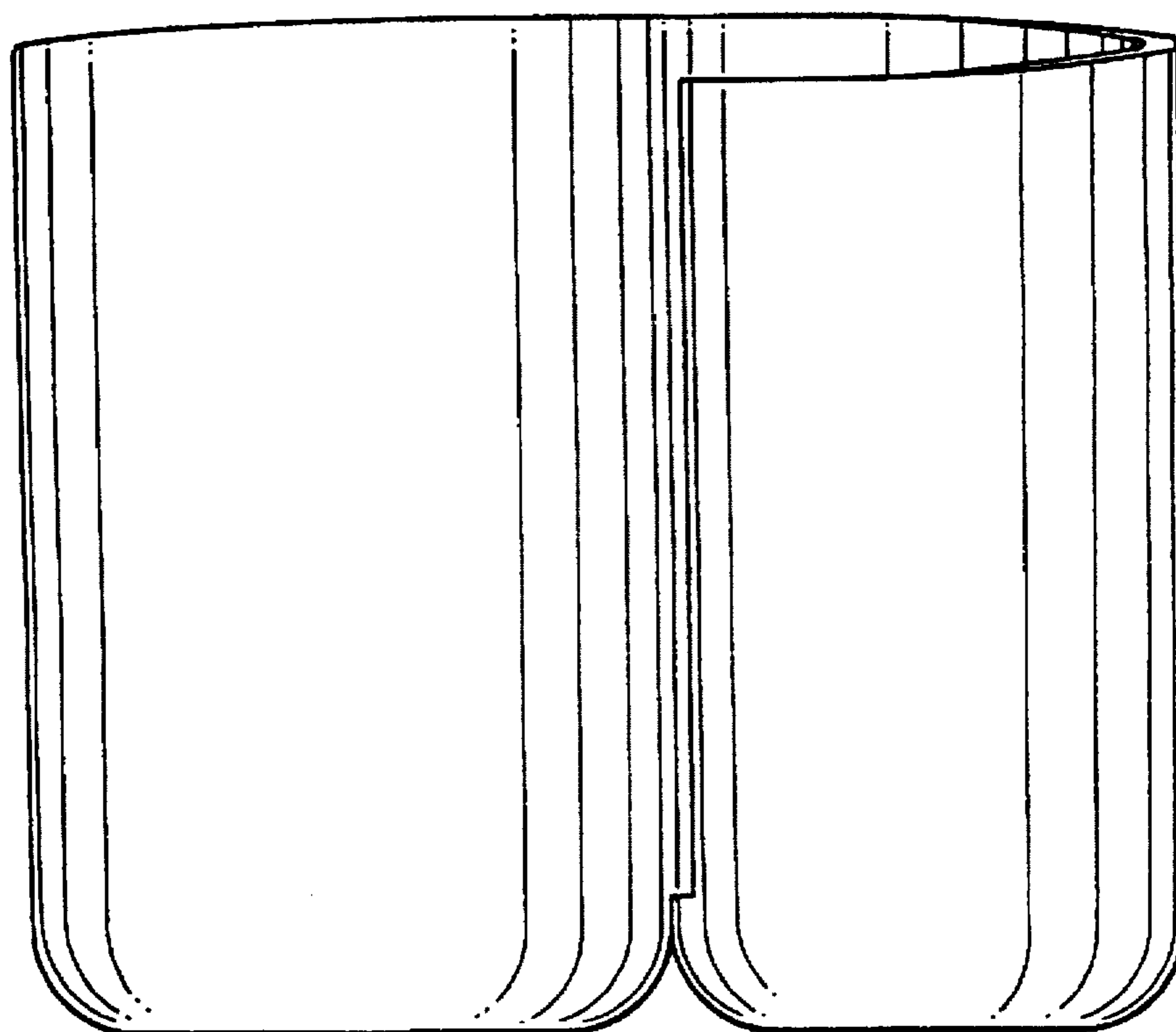


FIG. 4

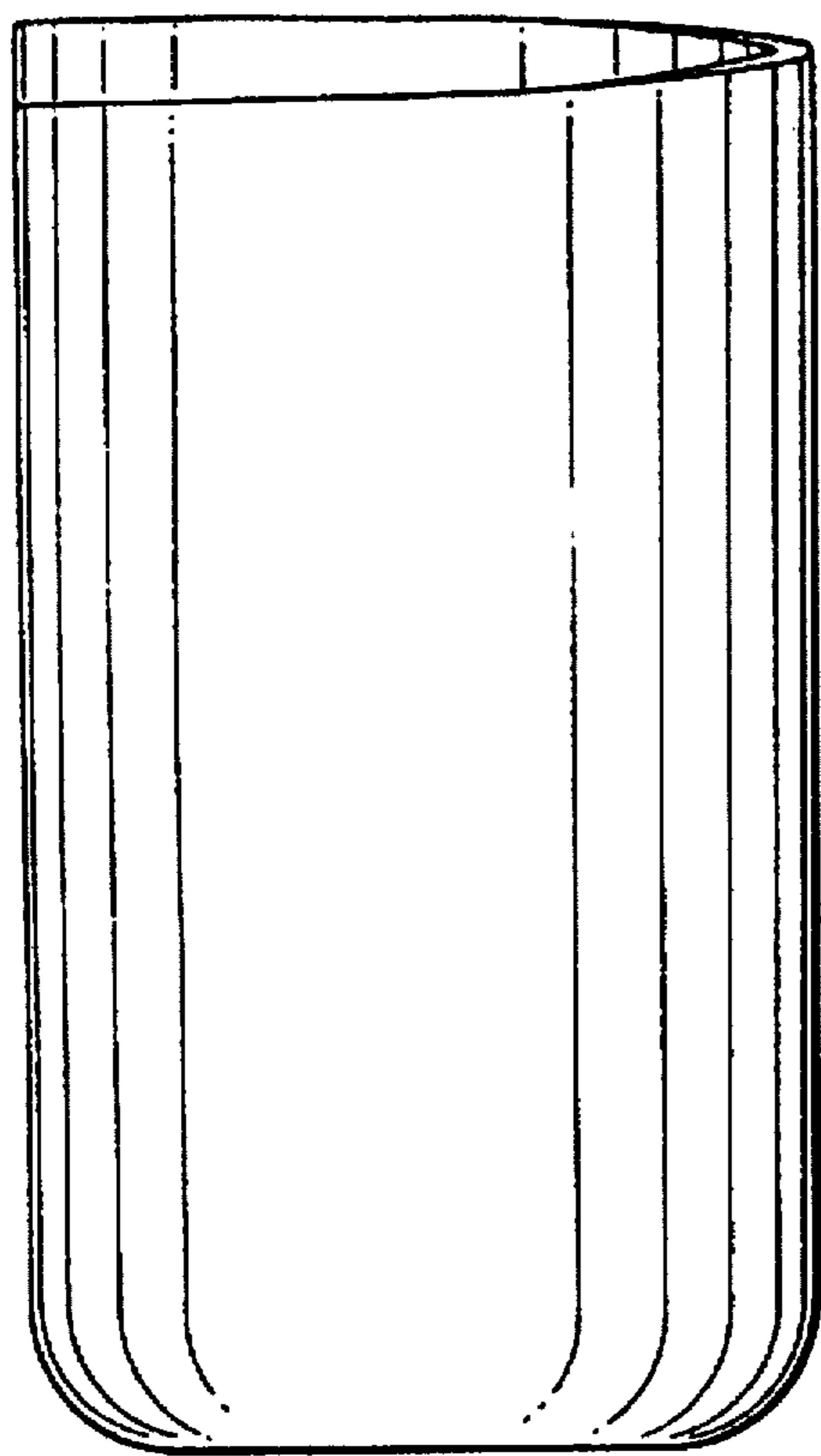


FIG. 5

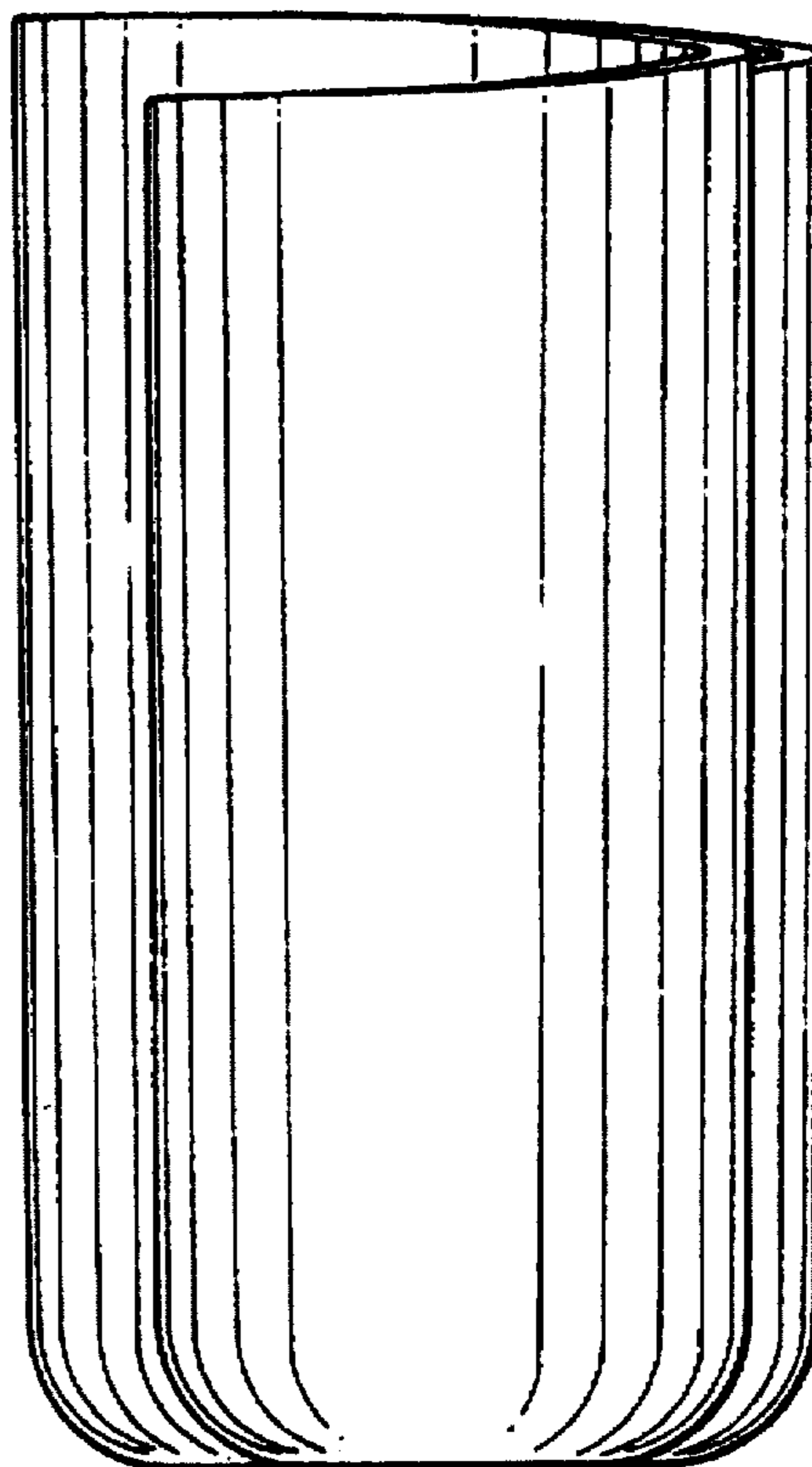


FIG. 6

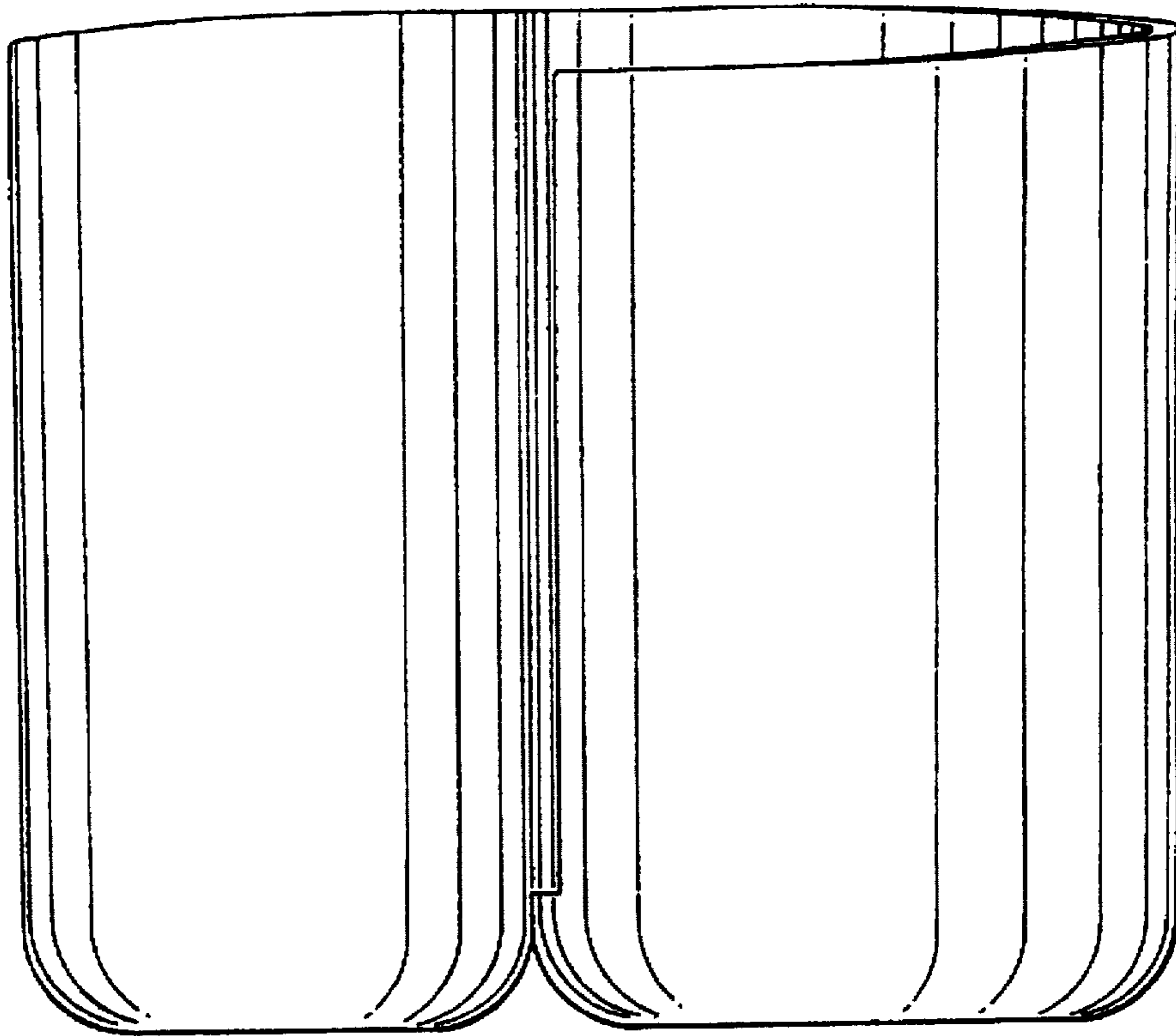


FIG. 7

