

US00D392324S

United States Patent [19]
Cheris et al.

[11] **Patent Number:** **Des. 392,324**
[45] **Date of Patent:** ****Mar. 17, 1998**

- [54] **DESKTOP ORGANIZER**
- [75] **Inventors:** **Albert B. Cheris, Highland Park;**
Mark Dziersk, Chicago, both of Ill.
- [73] **Assignee:** **Tenex Corporation, Elk Grove Village,**
Ill.
- [**] **Term:** **14 Years**
- [21] **Appl. No.:** **68,603**
- [22] **Filed:** **Apr. 1, 1997**
- [51] **LOC (6) Cl.** **19-06**
- [52] **U.S. Cl.** **D19/78; D19/75; D19/77;**
D19/85; D19/90
- [58] **Field of Search** **D19/36, 65, 75,**
D19/77, 78, 85, 86, 90, 91, 92, 95, 99,
100; 206/214, 224, 371; 21/10, 11, 45,
50, 55, 69.1-69.9

- D. 268,119 3/1983 Evenson D19/77
- D. 330,047 10/1992 Evenson .
- D. 332,631 1/1993 Klodt D19/78
- D. 366,903 2/1996 Baggott D19/78
- D. 370,128 5/1996 Alexander D19/77 X

Primary Examiner—Martie Thompson
Attorney, Agent, or Firm—Lockwood, Alex, FitzGibbon & Cummings

[57] **CLAIM**

The ornamental design for a desktop organizer, as shown and described.

DESCRIPTION

FIG. 1 is a perspective view of a desktop organizer showing our new design, the utensils and note pad depicted by means of broken lines being for illustrative purposes only and forming no part of the claimed design;
FIG. 2 is a top plan view thereof;
FIG. 3 is a front elevational view thereof;
FIG. 4 is a rear elevational view thereof;
FIG. 5 is an elevational view of one side thereof;
FIG. 6 is an elevational view of the other side thereof; and,
FIG. 7 is a bottom plan view thereof.

[56] **References Cited**

U.S. PATENT DOCUMENTS

- D. 049,875 11/1916 Aulicino et al. D19/85 X
- D. 248,441 7/1978 Bausch D19/85 X
- D. 261,583 11/1981 Labasan D19/75 X

1 Claim, 4 Drawing Sheets

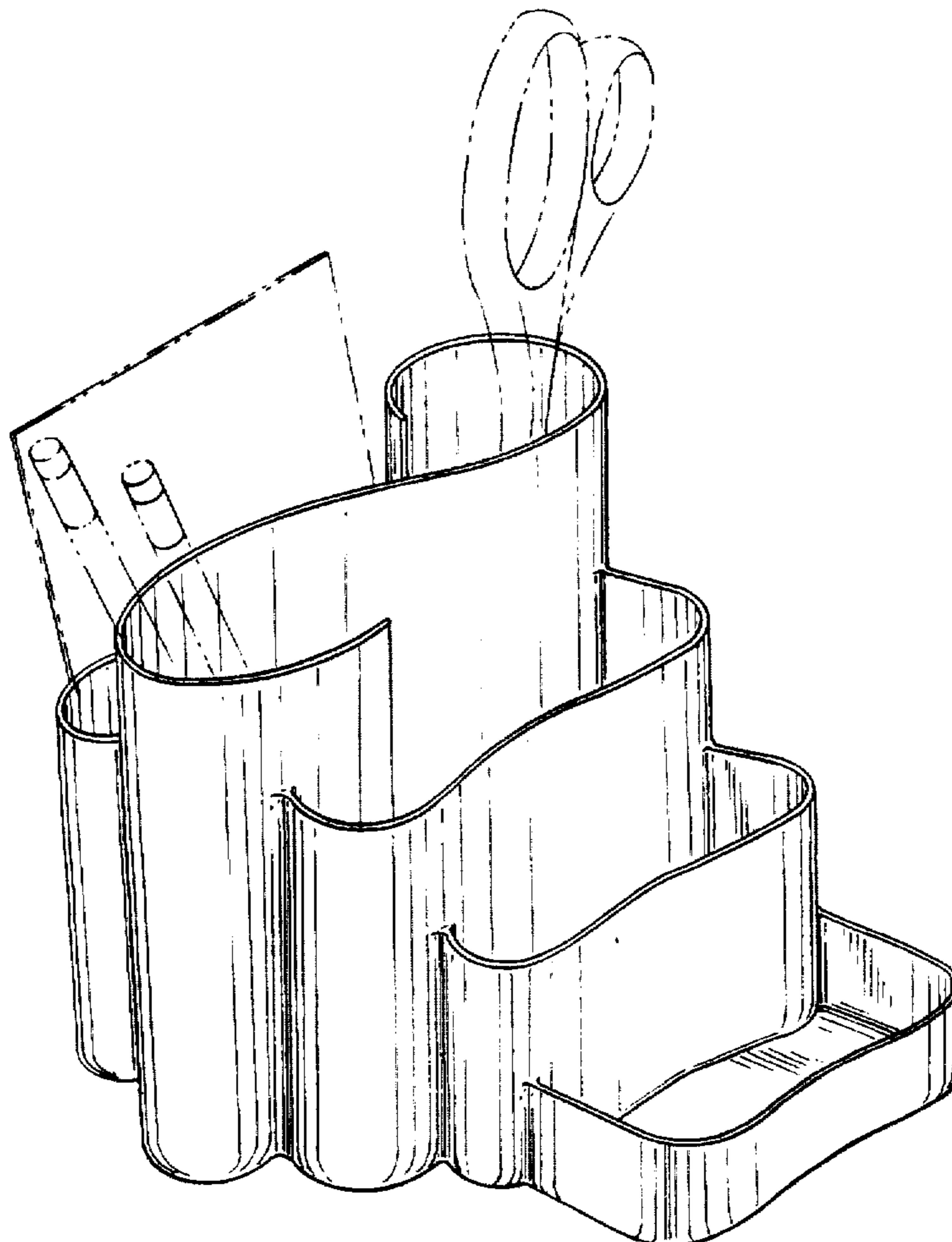


FIG. 1

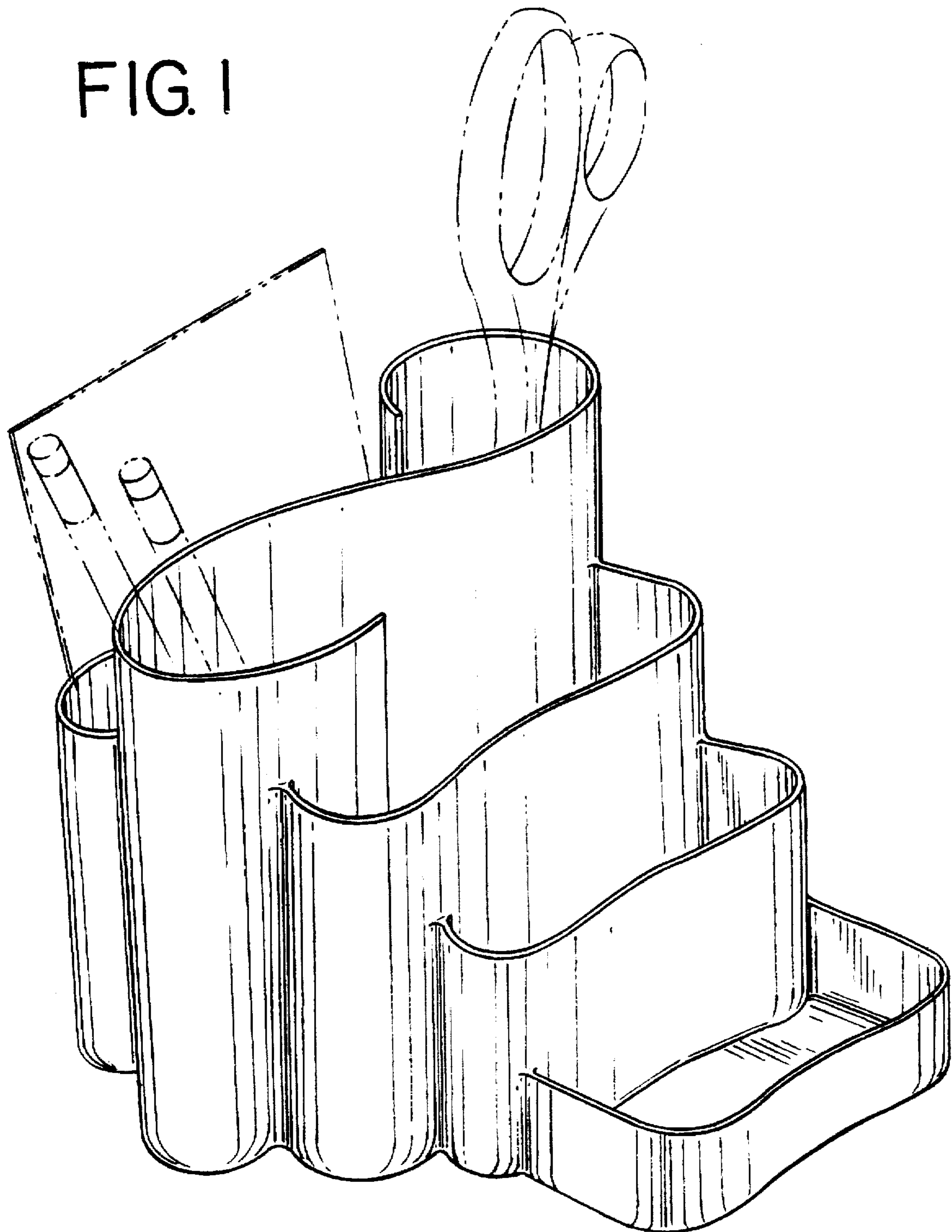


FIG. 3

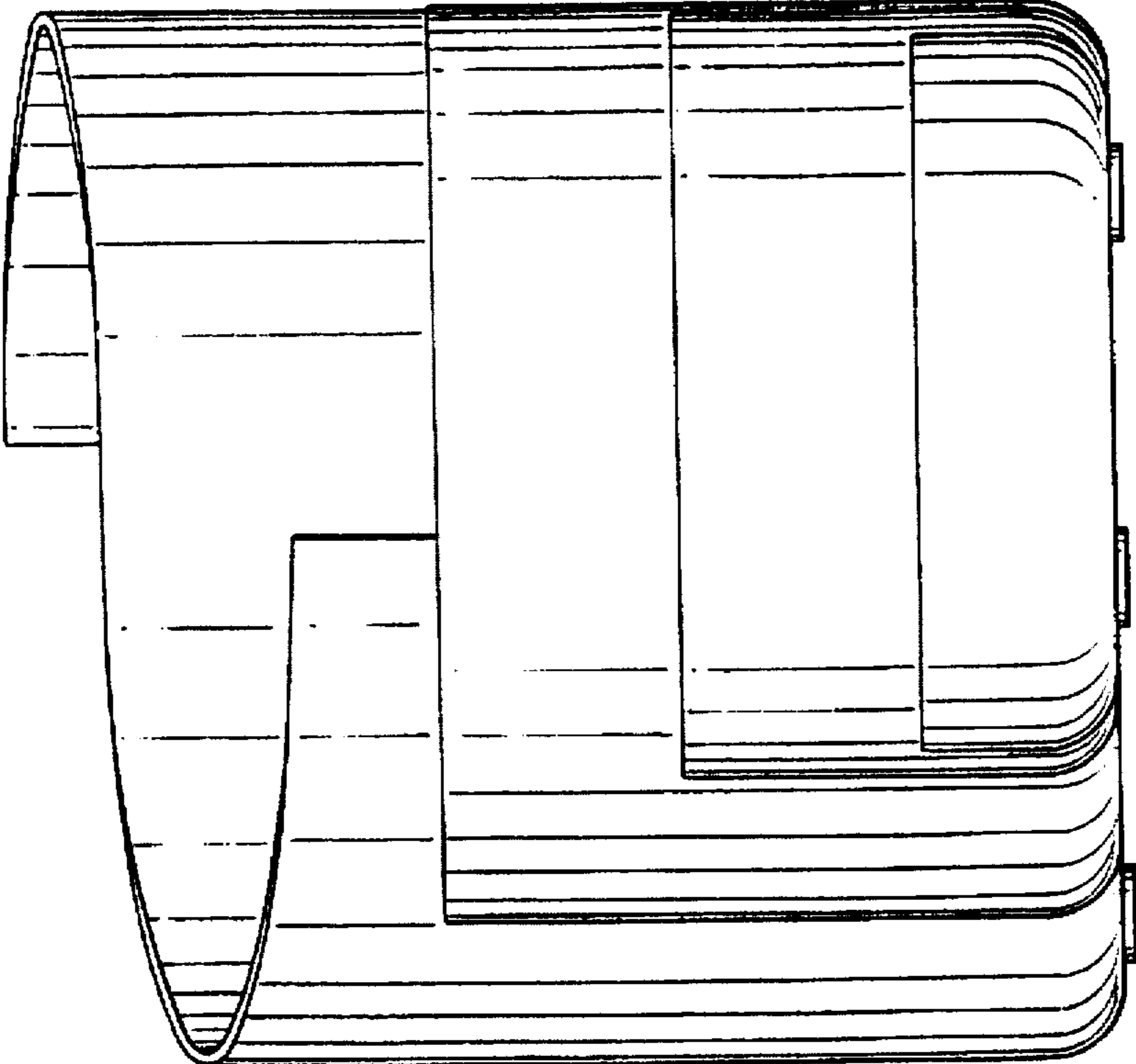


FIG. 2

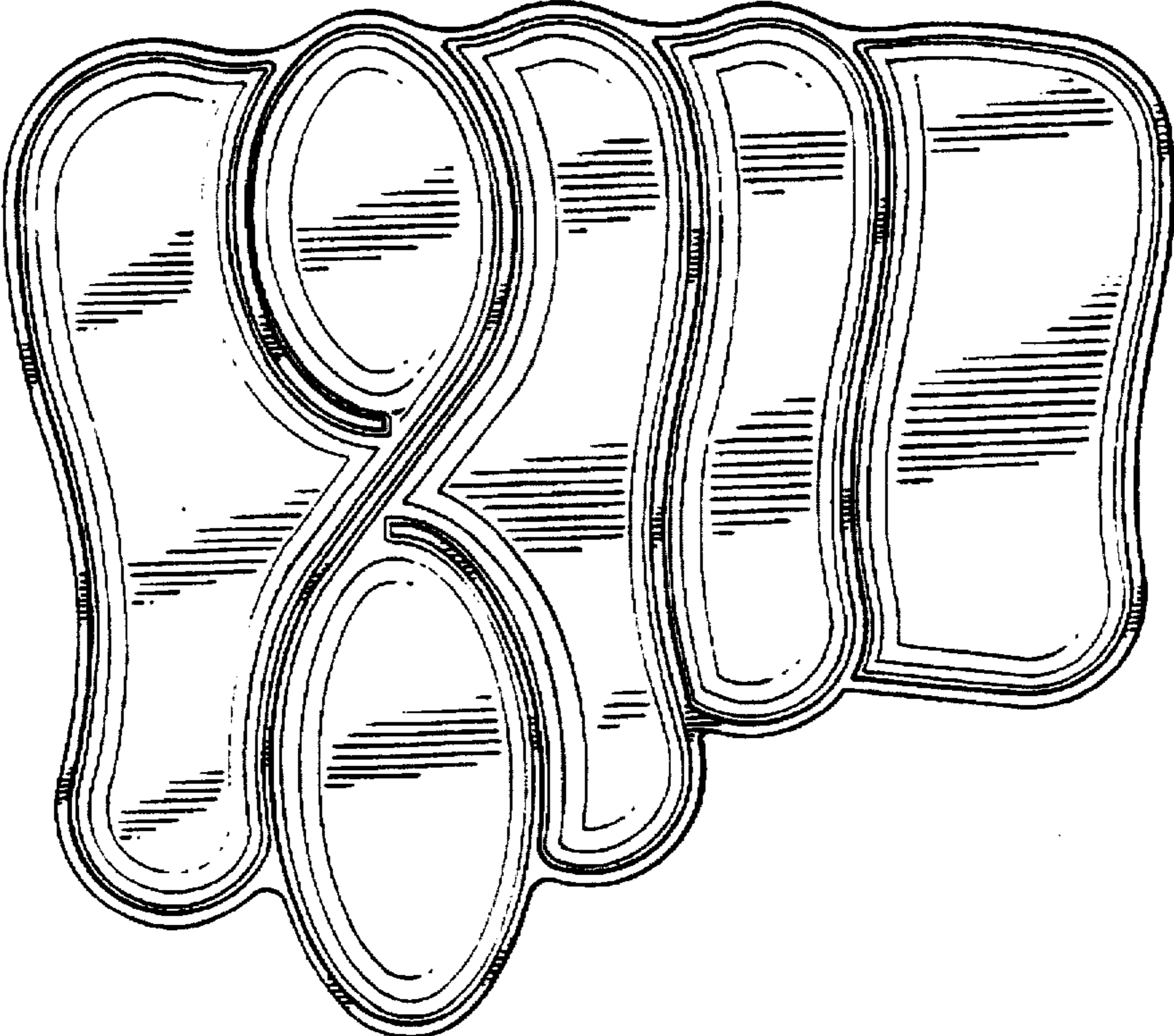


FIG. 5

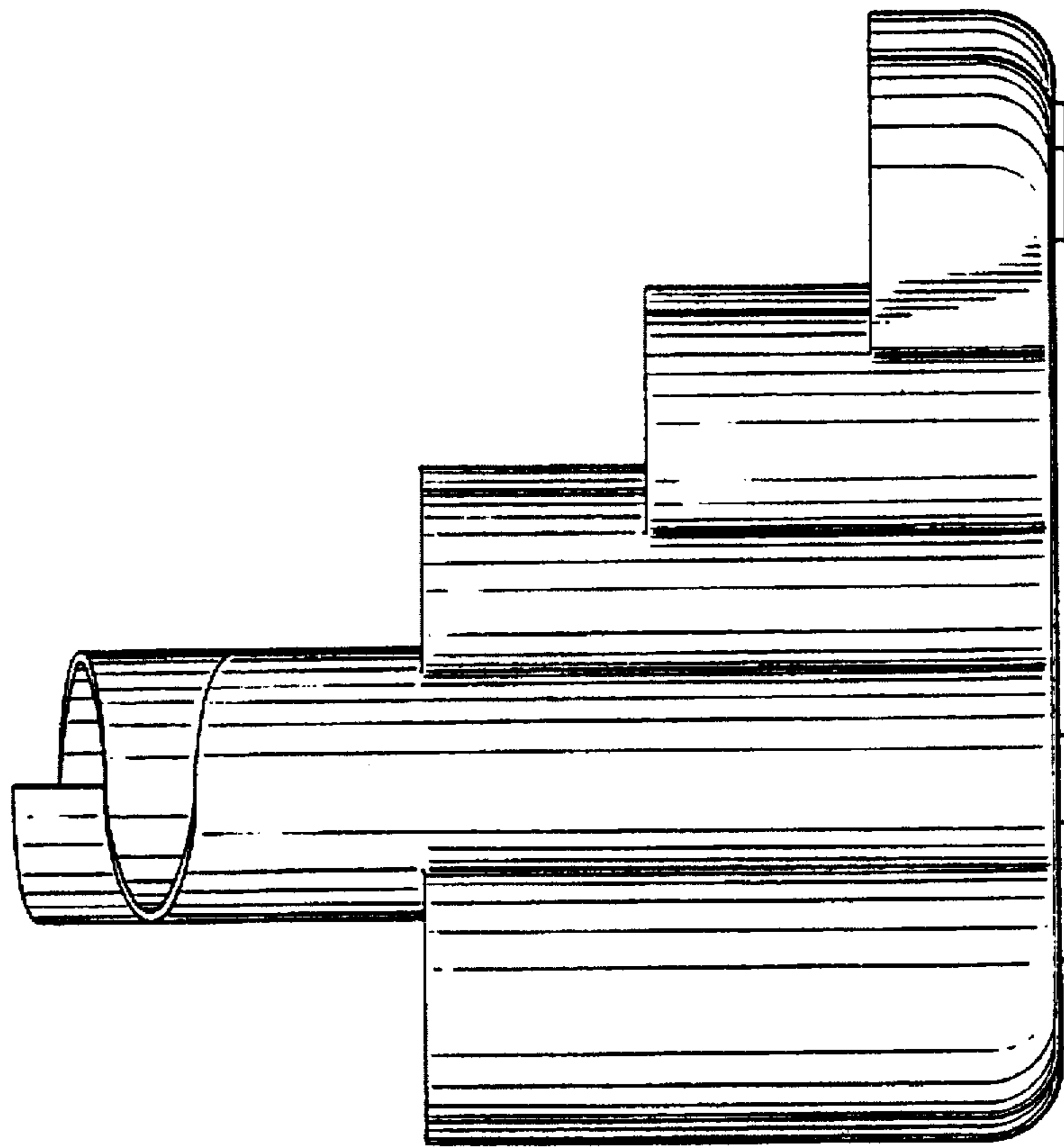


FIG. 4

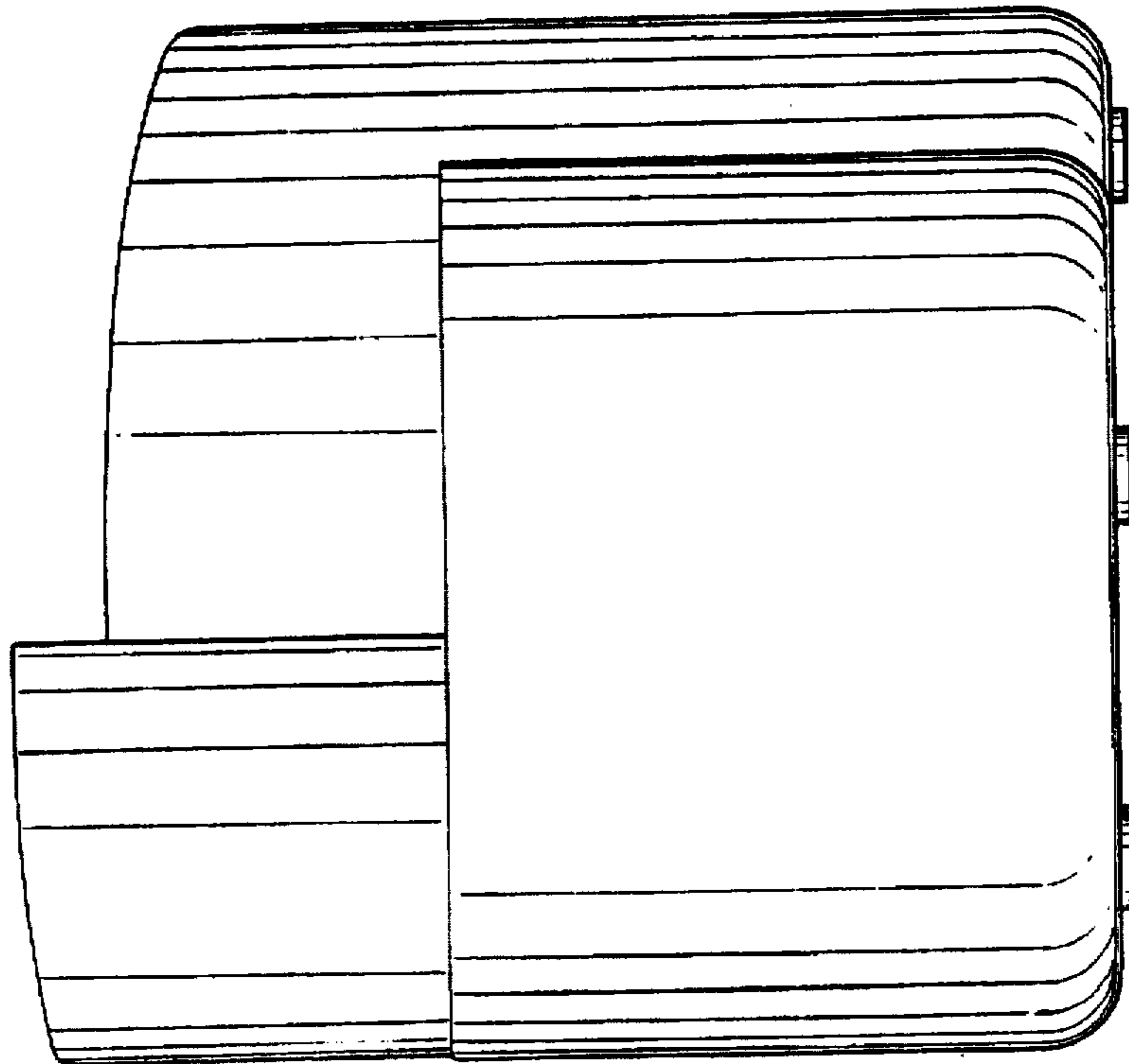


FIG. 7

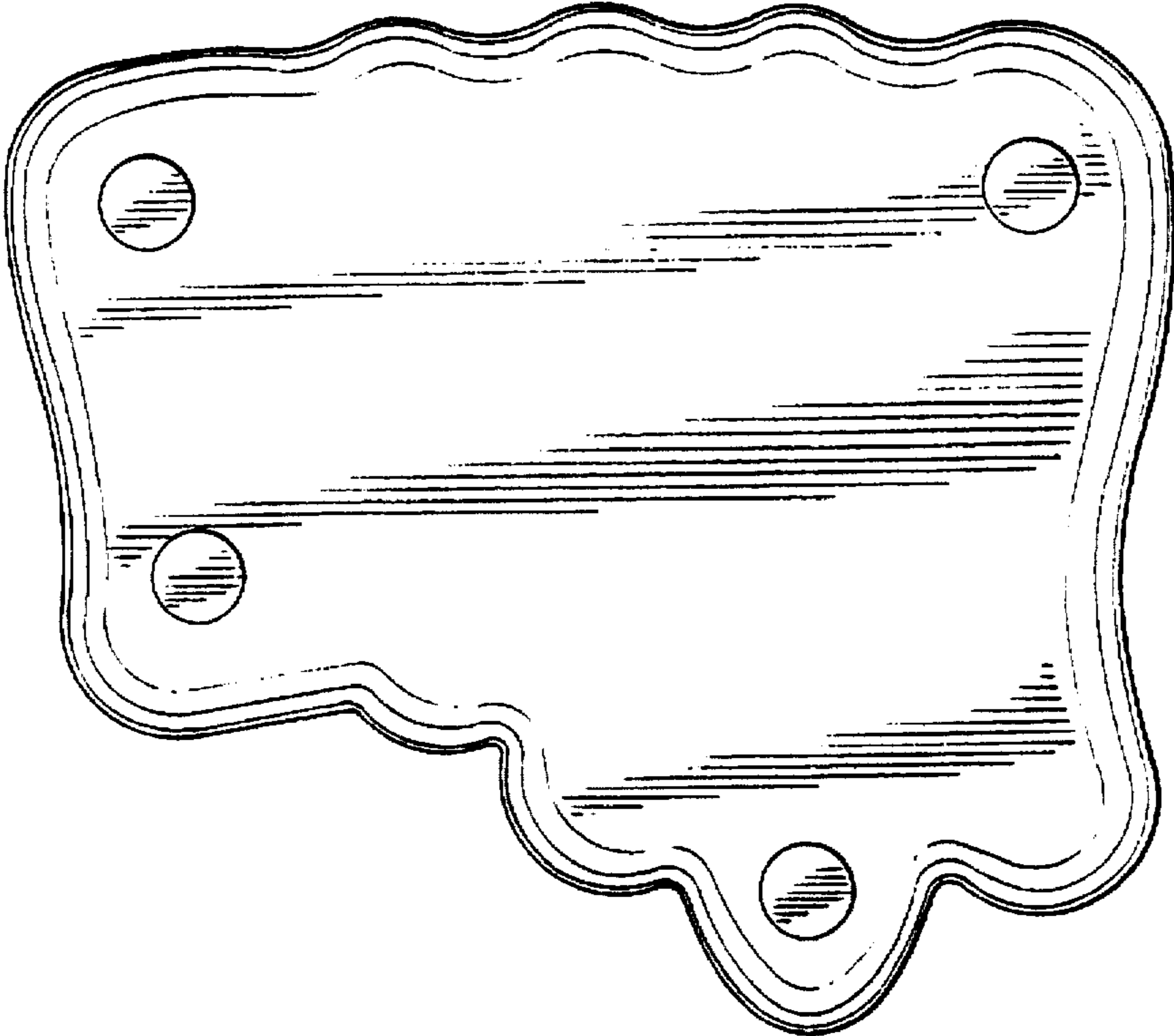


FIG. 6

