



US00D392323S

United States Patent [19]
Appelbaum

[11] **Patent Number:** **Des. 392,323**
[45] **Date of Patent:** ****Mar. 17, 1998**

[54] **CORNER ROUNDER PUNCH CUTTER**

[76] **Inventor:** **Richard M. Appelbaum**, 21 Maitland Grove Rd., Maitland, Fla. 32751

[**] **Term:** **14 Years**

[21] **Appl. No.:** **68,267**

[22] **Filed:** **Mar. 24, 1997**

[51] **LOC (6) Cl.** **19-02**

[52] **U.S. Cl.** **D19/72; D19/65; D8/98**

[58] **Field of Search** **D19/65, 72, 73, D19/99, 100; D8/49, 50, 98; 30/358, 363, 364; 83/560, 588, 618, 633, 167, 465, 257, 550**

[56] **References Cited**

U.S. PATENT DOCUMENTS

D. 193,230	7/1962	Klein	D19/72
D. 304,745	11/1989	Ukisu	D19/72 X
D. 352,433	11/1994	Smith	D19/72 X
D. 364,411	11/1995	Wang	D19/72 X

1,465,531	8/1923	Smith et al.	30/358
2,655,215	10/1953	Kertes	83/257
3,944,373	3/1976	Farjon et al.	30/358 X
4,779,785	10/1988	Amagaya	83/618
5,067,242	11/1991	Singer	30/364

Primary Examiner—Martie Thompson
Attorney, Agent, or Firm—William M. Hobby, III

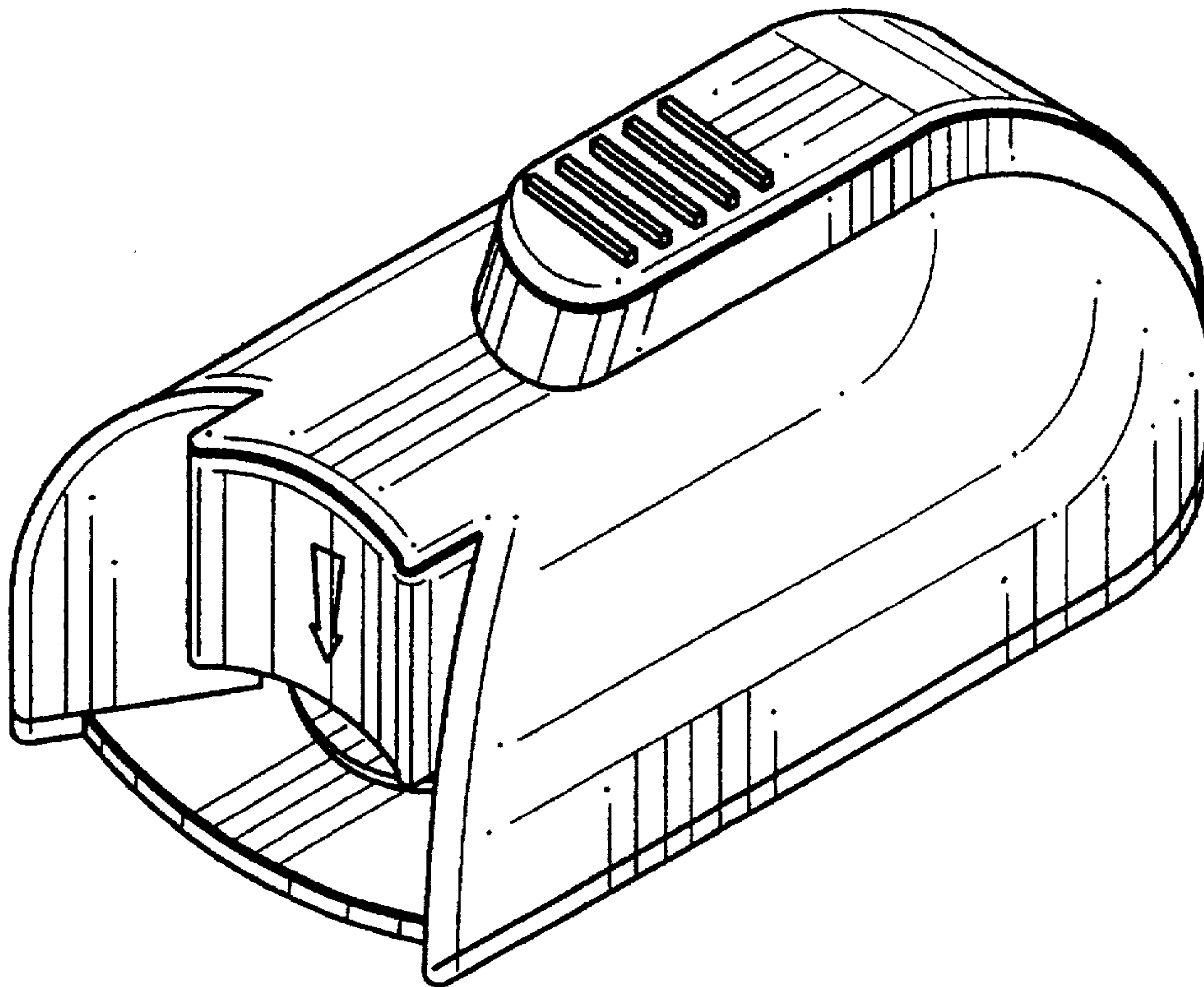
[57] **CLAIM**

The ornamental design for a corner rounder punch cutter, as shown and described.

DESCRIPTION

FIG. 1 is a top front right side pespective view of my new corner rounder punch cutter;
FIG. 2 is a left side elevation;
FIG. 3 is a right side elevation;
FIG. 4 is a front elevation;
FIG. 5 is a rear elevational;
FIG. 6 is a bottom plan view; and,
FIG. 7 is a top plan view.

1 Claim, 1 Drawing Sheet



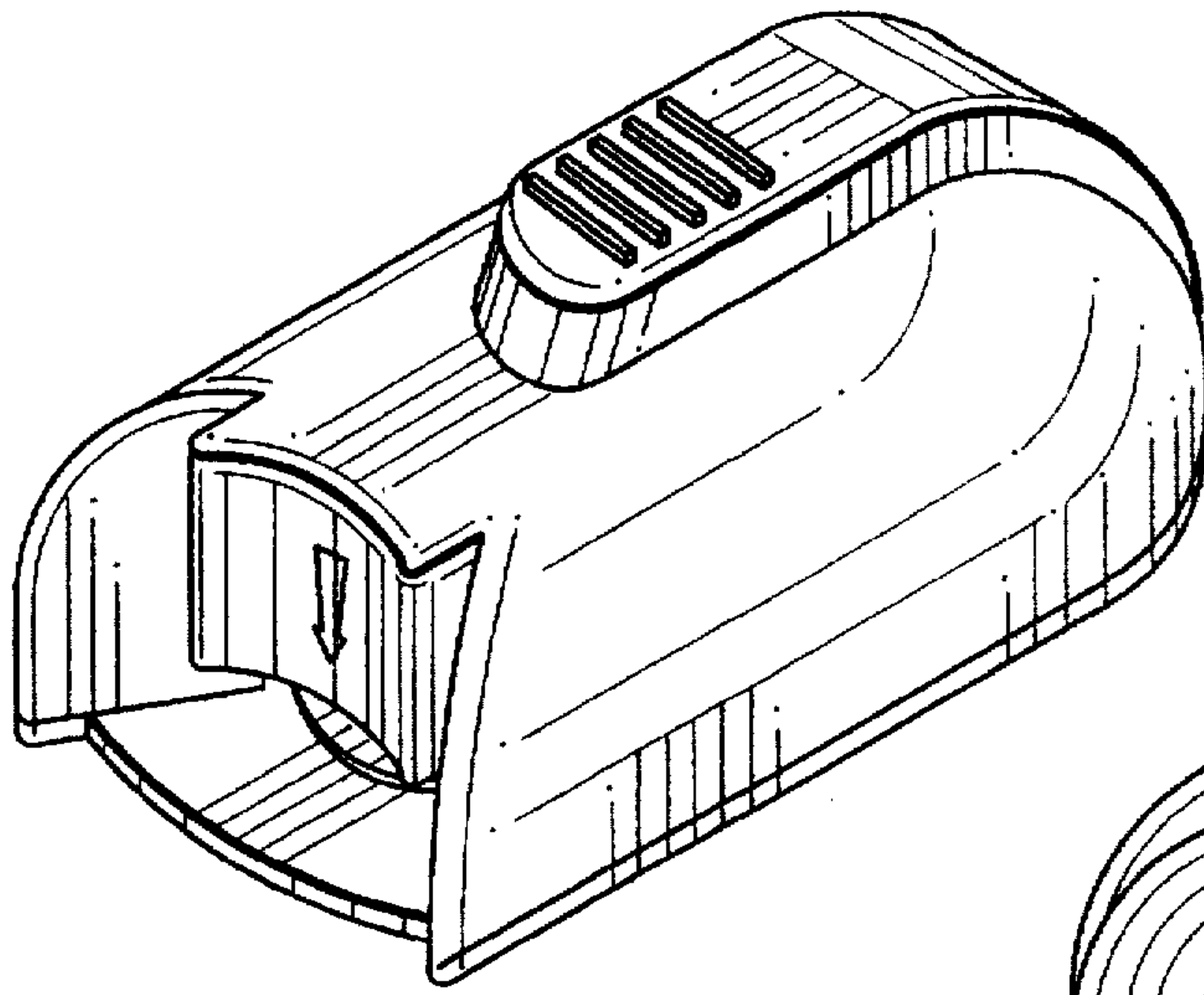


FIG. 1

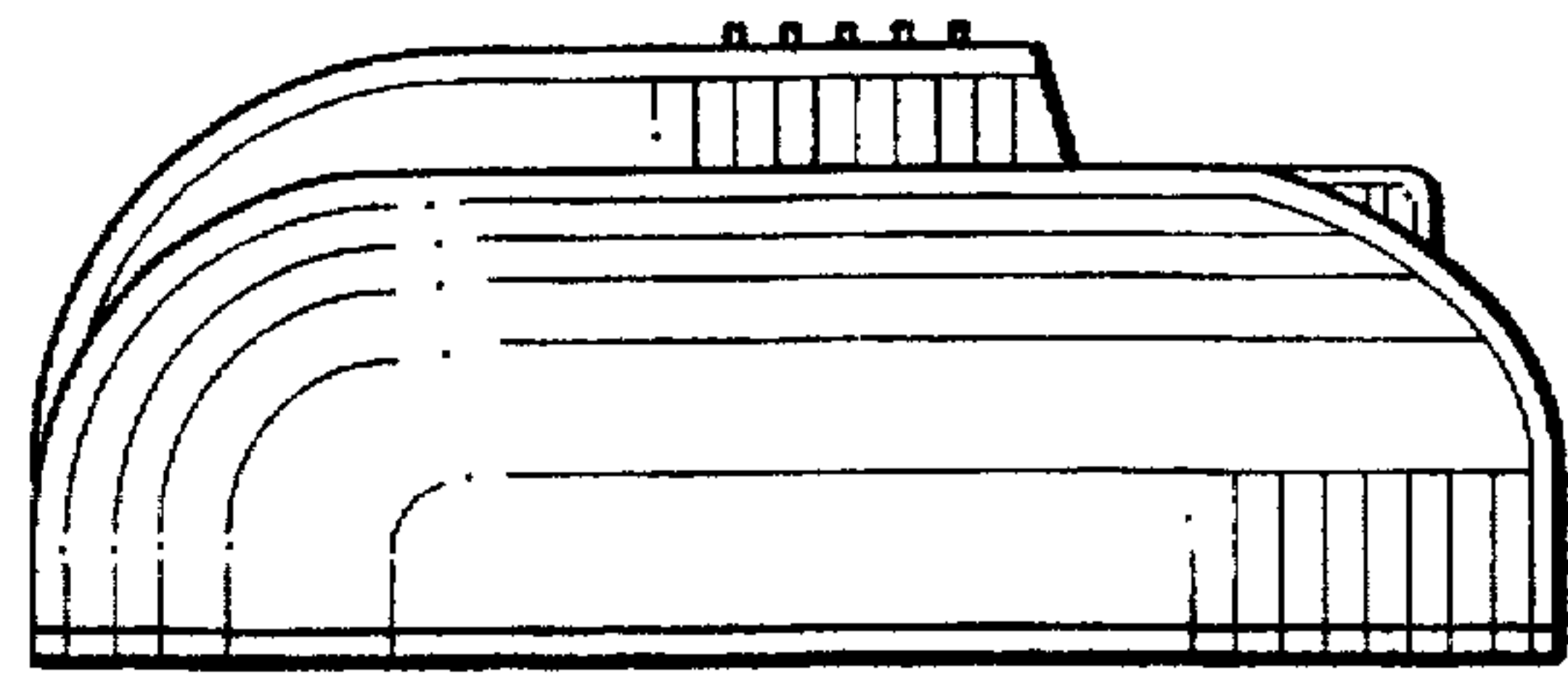


FIG. 2

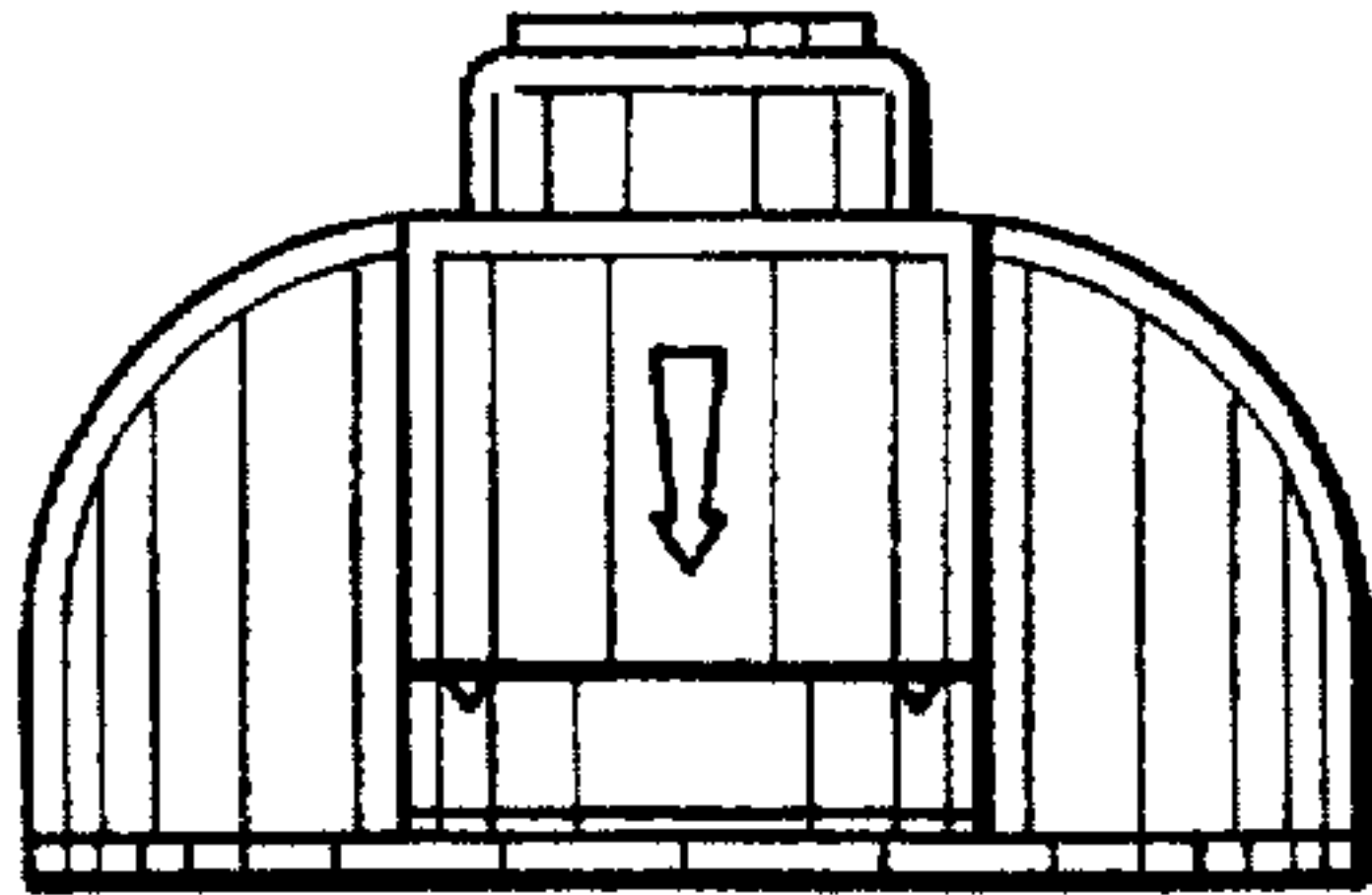


FIG. 4

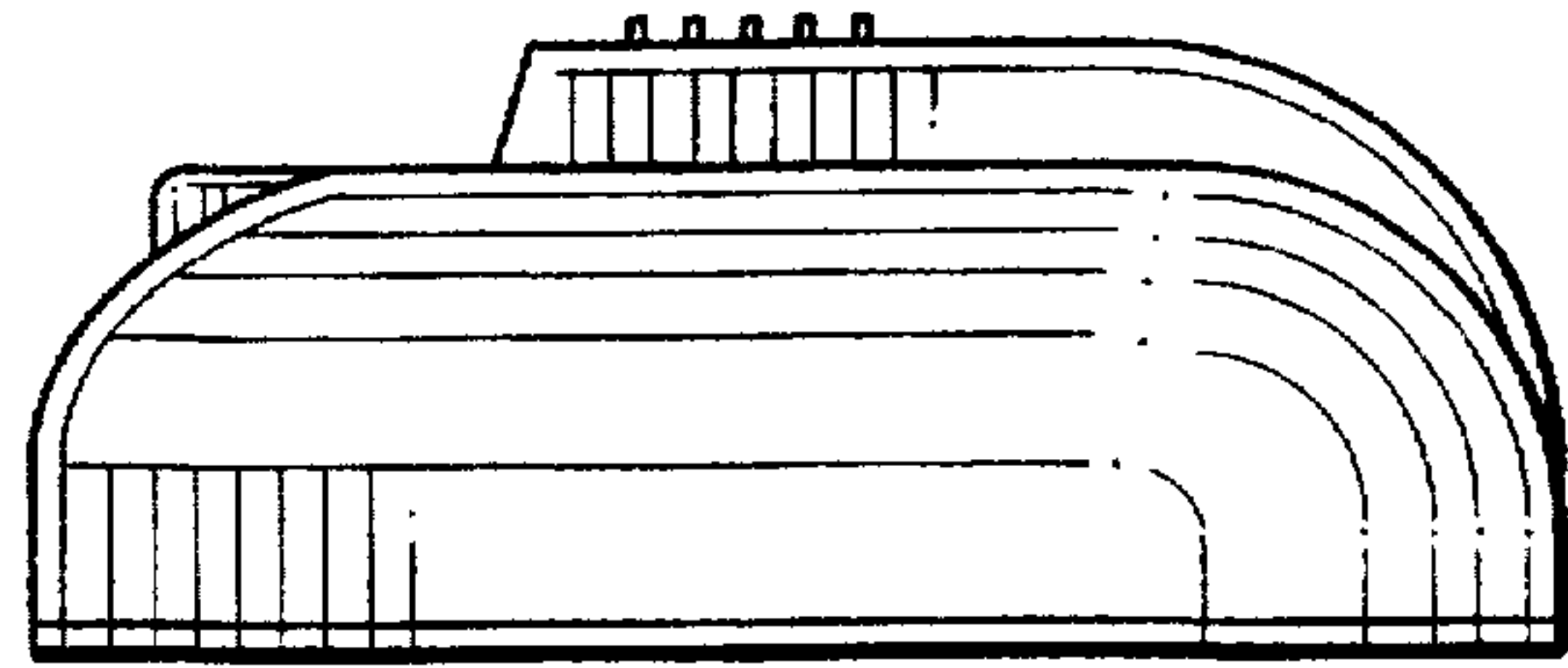


FIG. 3

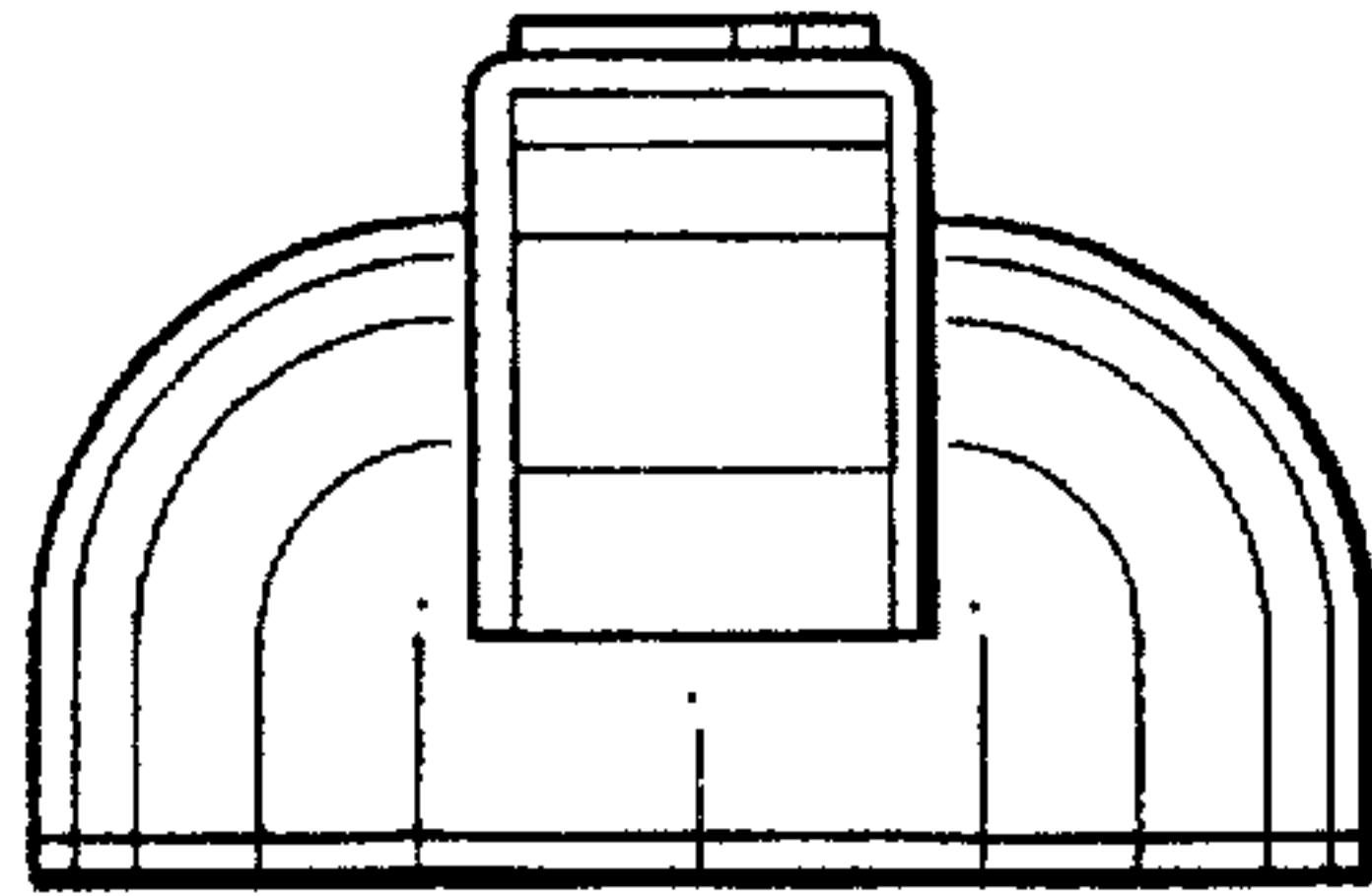


FIG. 5

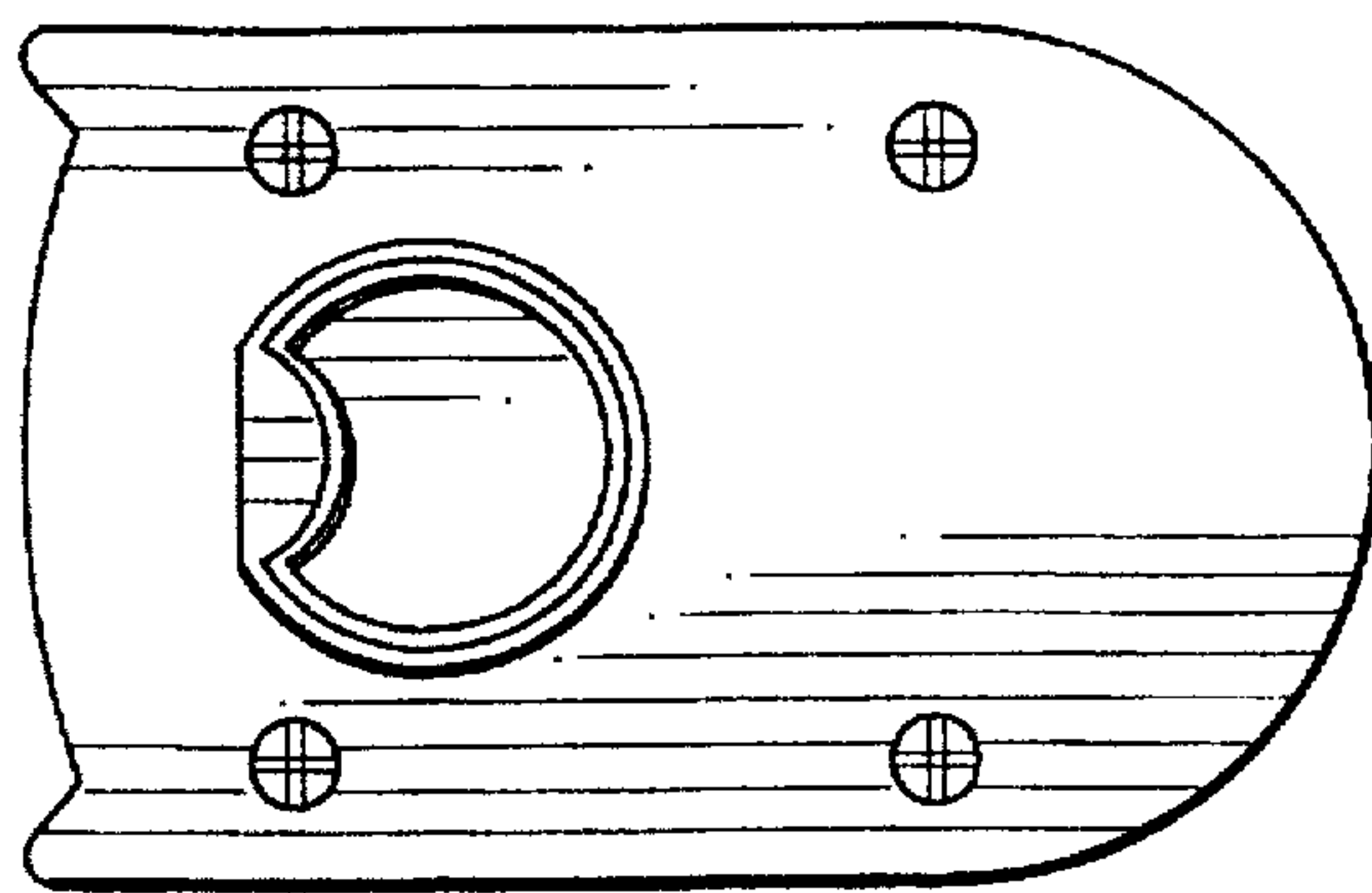


FIG. 6

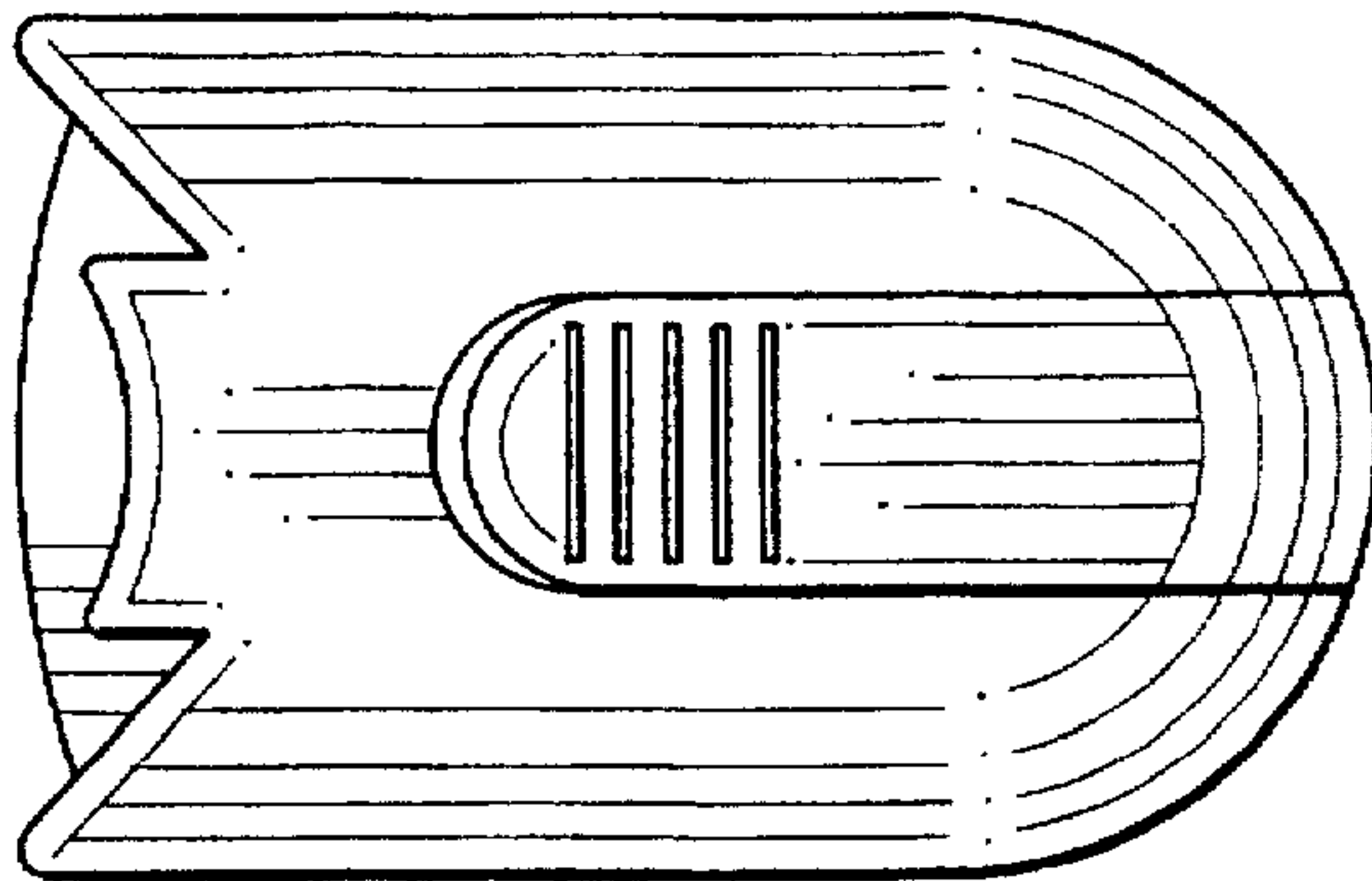


FIG. 7