



US00D392318S

United States Patent [19]
Jack

[11] **Patent Number: Des. 392,318**
[45] **Date of Patent: **Mar. 17, 1998**

[54] **MULTI-PURPOSE INFORMATION CENTER**

[75] **Inventor: Douglas M. Jack, Fullerton, Calif.**

[73] **Assignee: Day Runner, Inc., Fullerton, Calif.**

[**] **Term: 14 Years**

[21] **Appl. No.: 62,993**

[22] **Filed: Nov. 18, 1996**

[51] **LOC (6) Cl. 19-06**

[52] **U.S. Cl. D19/52; D19/21; D19/23;
D19/85; D19/90; D20/19; D6/553; D6/569**

[58] **Field of Search D6/553, 569, 570,
D6/300, 527, 571, 572; D20/10, 19, 39,
42; D19/35, 36, 52, 20, 21, 22, 23, 77,
78, 81-85, 86, 90, 91, 99, 100; 40/1, 124,
124.2, 124.4, 905, 107, 120-122**

[56] **References Cited**

U.S. PATENT DOCUMENTS

- D. 161,787 1/1951 Pokras et al. D19/86 X
- D. 234,557 3/1975 Tiburzi D6/300
- D. 242,098 11/1976 Leopold D6/571
- D. 250,652 12/1978 Anderson D19/52

- D. 267,842 2/1983 Brescia et al. D6/527
- D. 278,493 4/1985 Brescia et al. D6/570
- 373,235 11/1887 Isbell 40/107
- 4,133,123 1/1979 Anderson 40/1

OTHER PUBLICATIONS

Boise Cascade Office Products Catalog, 1996, pp. 276-278; 283-290; 654-655; 657-661.

Primary Examiner—Martie Thompson
Attorney, Agent, or Firm—Pretty, Schroeder & Poplawski

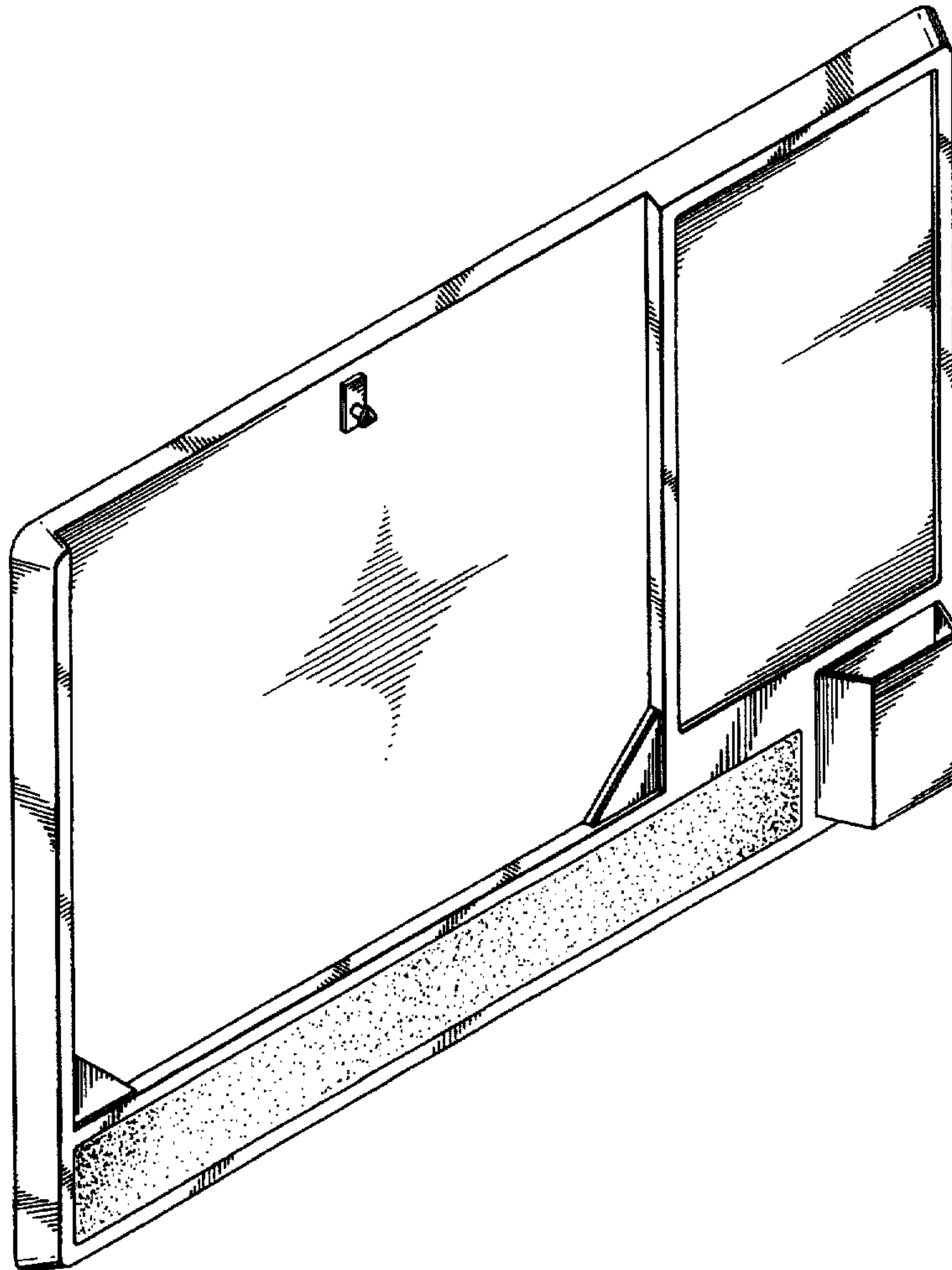
[57] **CLAIM**

The ornamental design for a multi-purpose information center, as shown and described.

DESCRIPTION

FIG. 1 is a left front perspective view of a multi-purpose information center showing my new design;
FIG. 2 is a front view thereof;
FIG. 3 is a right side view thereof;
FIG. 4 is a top view thereof; and,
FIG. 5 is a bottom view thereof.
The rear of the multi-purpose information center is plain and unornamented.

1 Claim, 3 Drawing Sheets



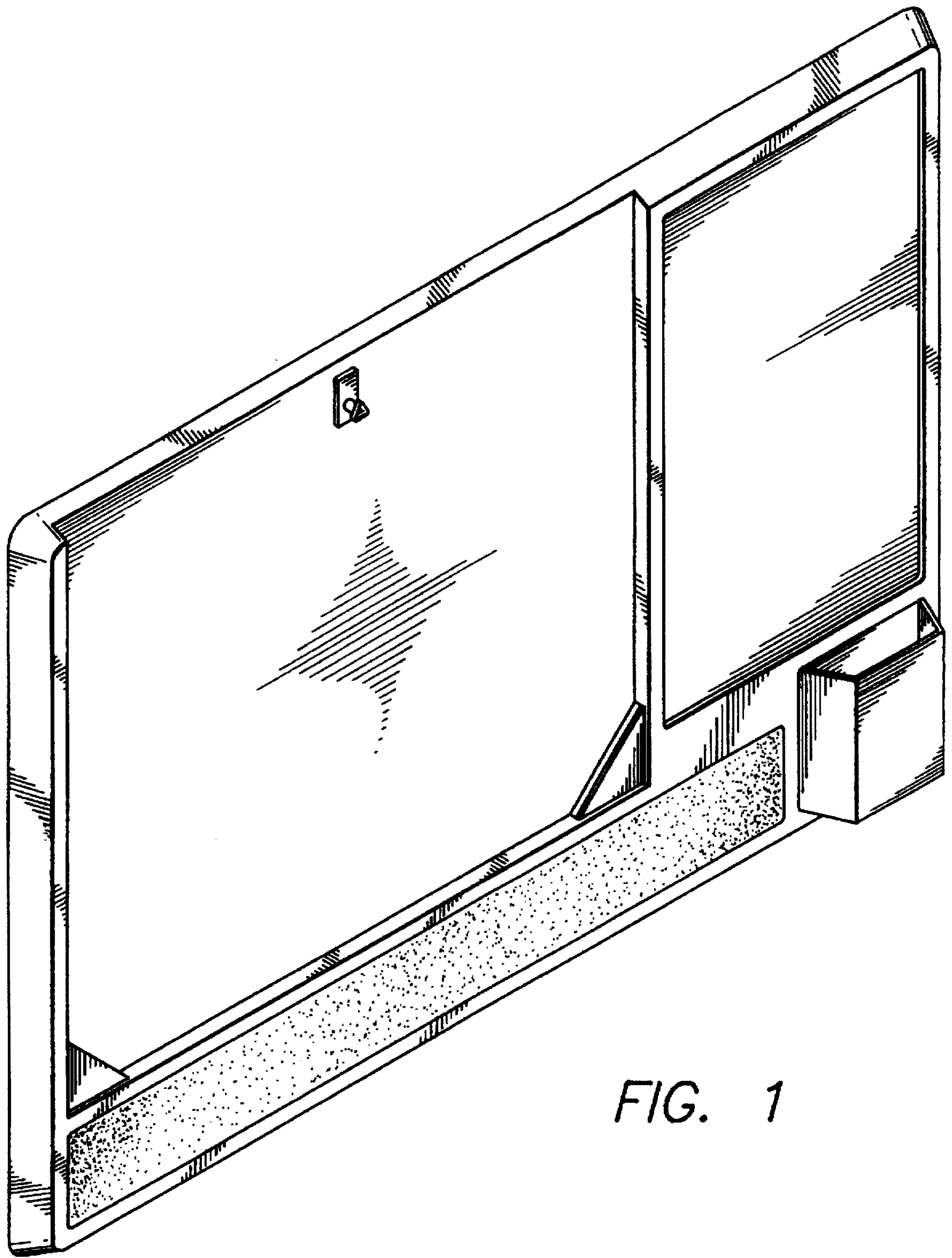


FIG. 1

FIG. 3



FIG. 2

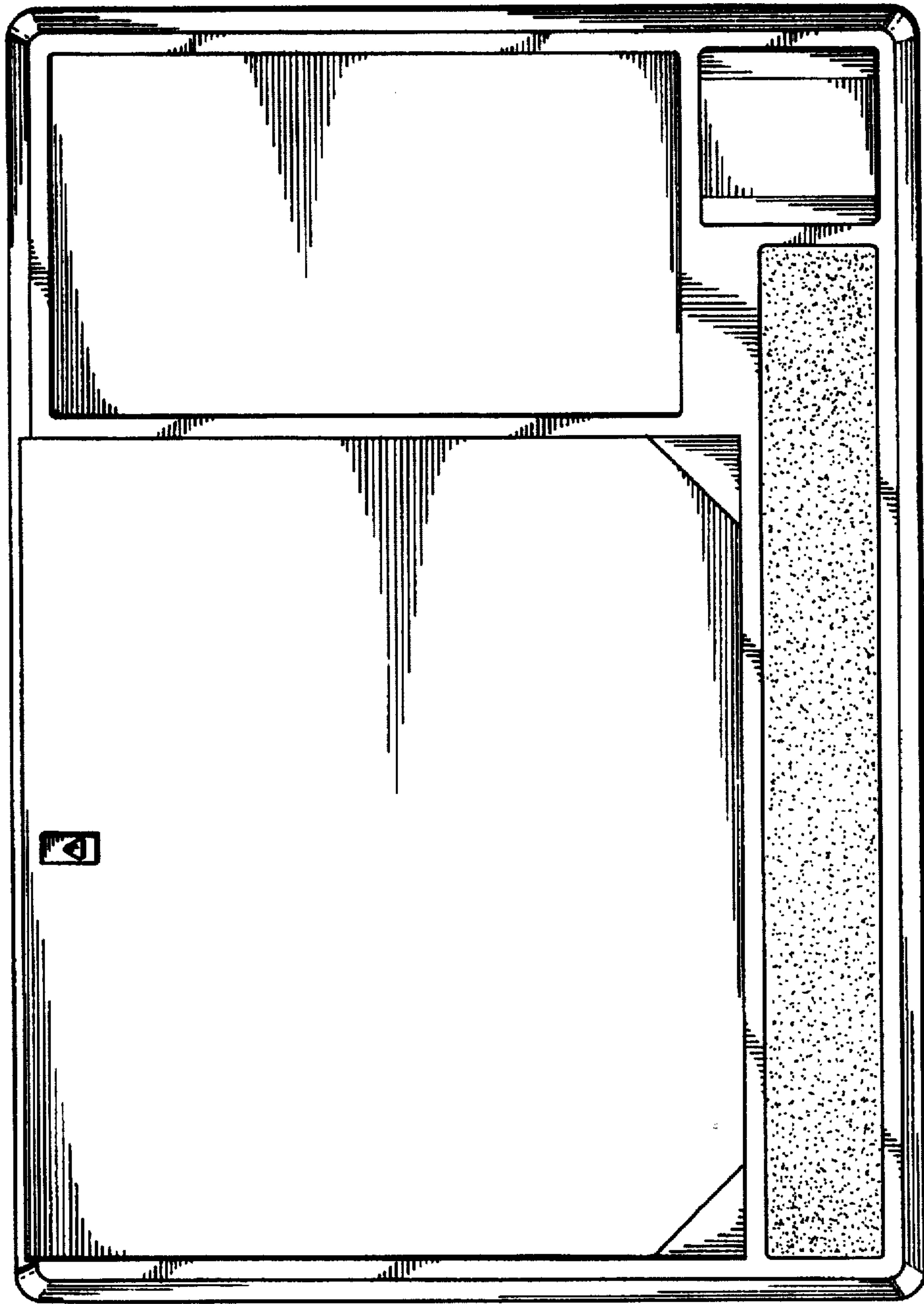


FIG. 4

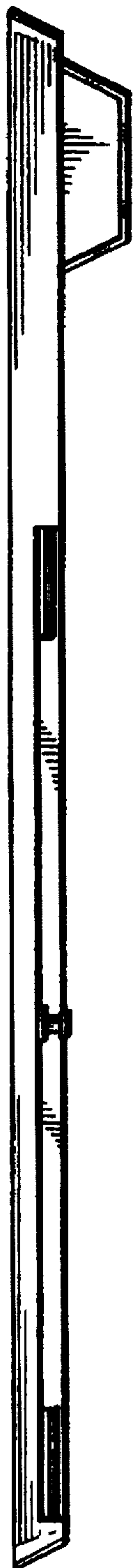


FIG. 5

