

US00D392315S

**United States Patent** [19]  
**Yang**

[11] **Patent Number: Des. 392,315**  
[45] **Date of Patent: \*\*Mar. 17, 1998**

[54] **PEN**  
[76] **Inventor: Chin-Chen Yang**, 1F, No. 3, Lane 530,  
Min Tsu Rd., Lu Chou, Taipei Hsien,  
Taiwan  
[\*\*] **Term: 14 Years**  
[21] **Appl. No.: 70,878**  
[22] **Filed: May 2, 1997**  
[51] **LOC (6) Cl. .... 19-06**  
[52] **U.S. Cl. .... D19/42; D21/168; D21/204;**  
**D19/51; D19/46; D19/56**  
[58] **Field of Search .... D19/35, 36, 41,**  
**D19/42, 43-51, 53-58, 81-85, 99, 100;**  
**D21/168, 204; 401/99, 100, 209, 6, 7, 88,**  
**112, 52, 195**

D. 294,724 3/1988 Lund ..... D21/204  
D. 305,788 1/1990 Herren ..... D21/204  
D. 329,873 9/1992 Tu ..... D19/43 X  
D. 343,864 2/1994 Rebong ..... D19/36  
D. 379,472 5/1997 Smith ..... D19/36  
2,884,254 4/1959 Miner ..... D21/204 X

*Primary Examiner*—Martie Thompson  
*Attorney, Agent, or Firm*—Morton J. Rosenberg; David I.  
Klein; Jun Y. Lee

[57] **CLAIM**

The ornamental design for a "pen", as shown and described.

**DESCRIPTION**

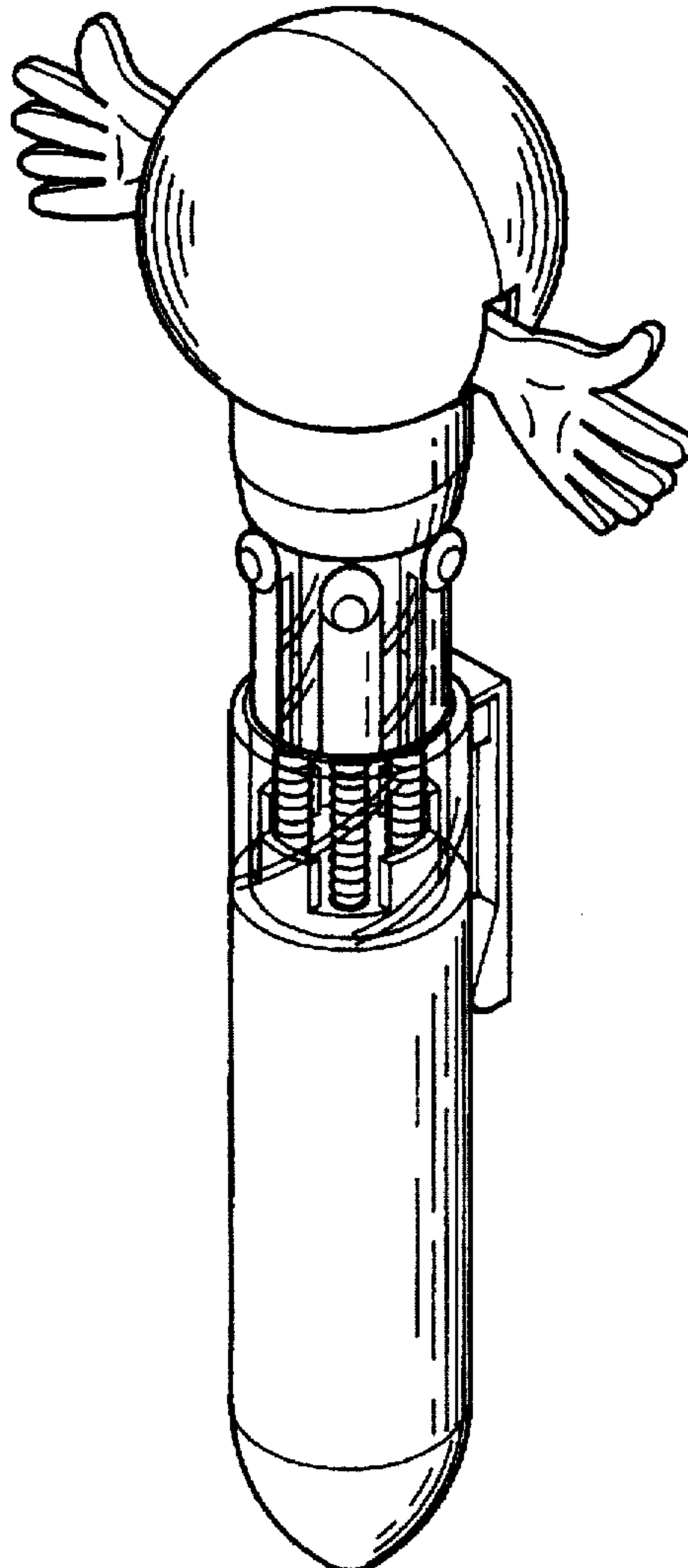
FIG. 1 is the perspective view of a "pen" showing my new design;  
FIG. 2 is the front elevational view thereof;  
FIG. 3 is the rear elevational view thereof;  
FIG. 4 is the left side elevational view thereof;  
FIG. 5 is the right side elevational view thereof;  
FIG. 6 is the top plan view thereof; and,  
FIG. 7 is the bottom plan view thereof.

[56] **References Cited**

**U.S. PATENT DOCUMENTS**

D. 154,610 7/1949 Kuhn ..... D19/46  
D. 185,331 5/1959 Tannenbaum ..... D19/46 X

**1 Claim, 4 Drawing Sheets**



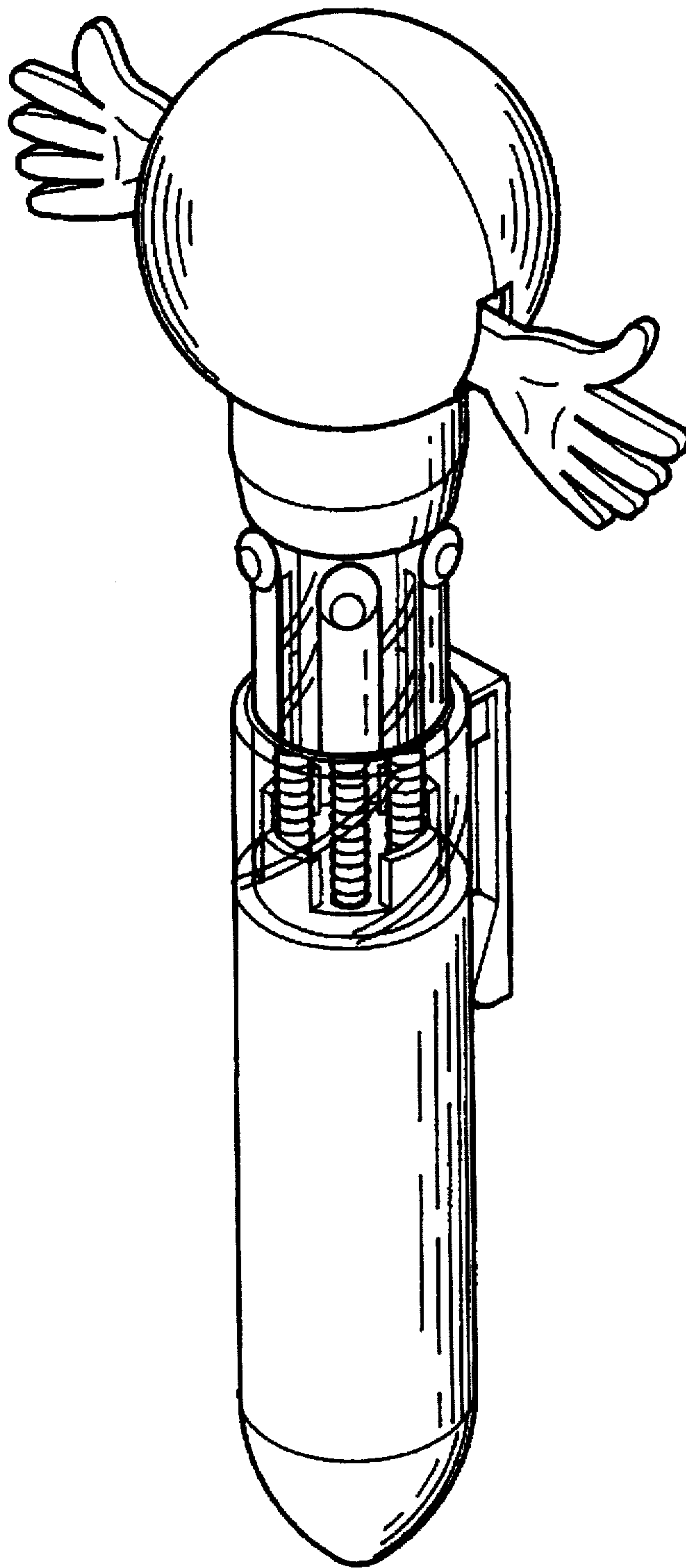


FIG. 1

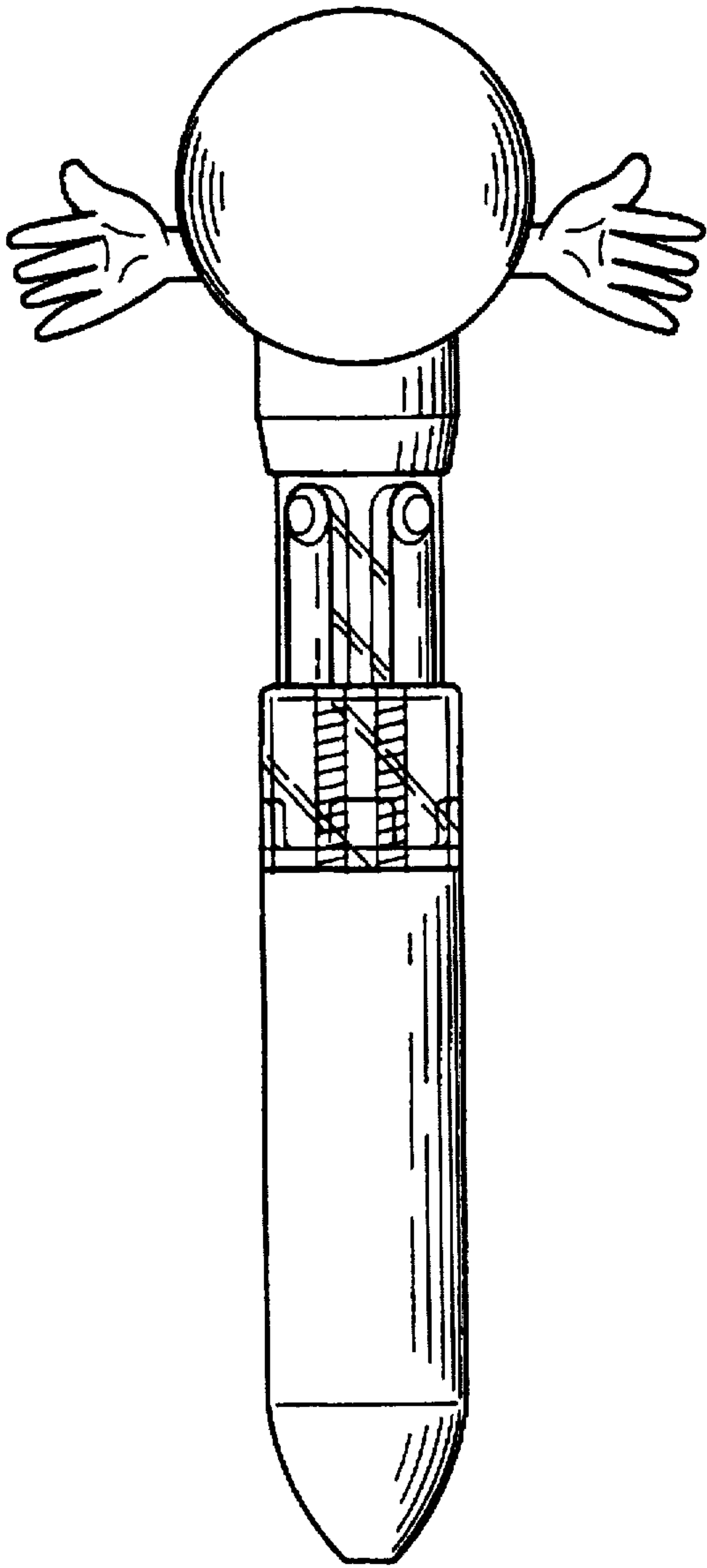


FIG. 2

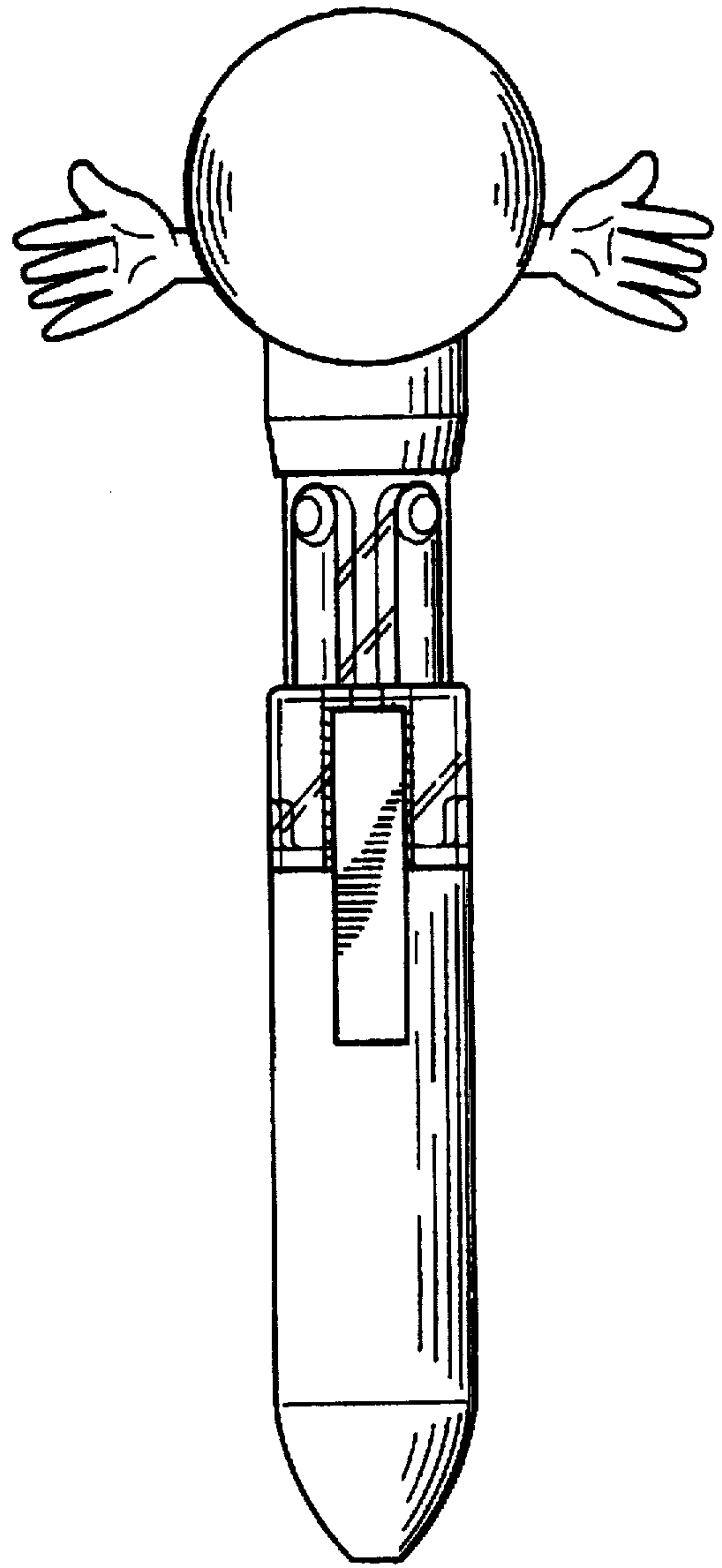


FIG. 3

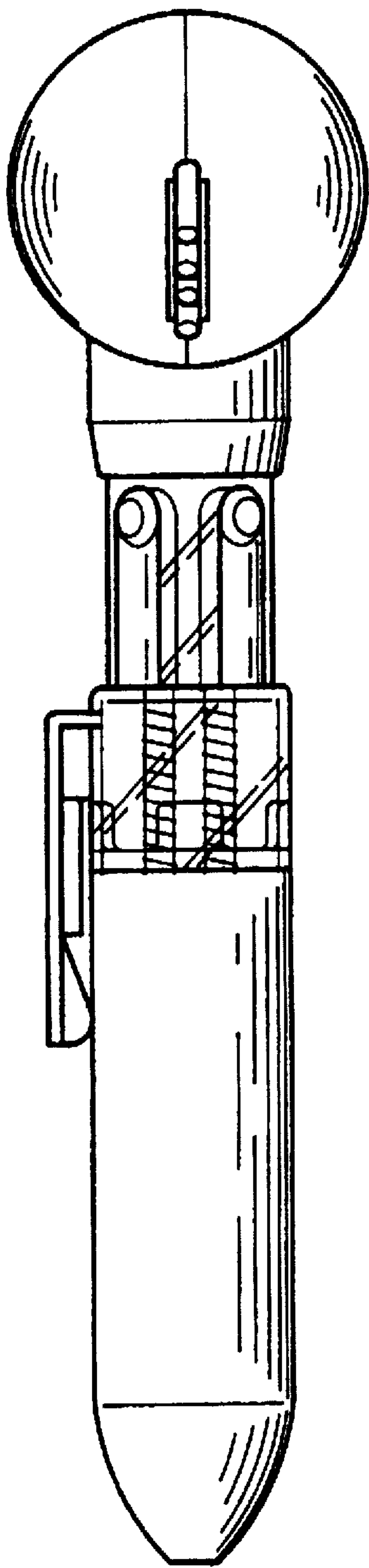


FIG. 4

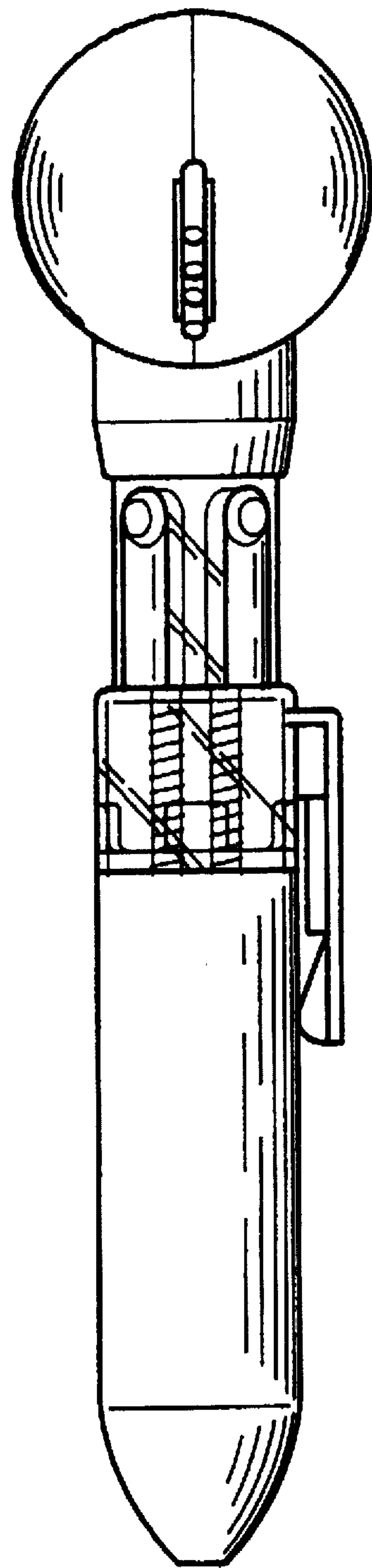


FIG. 5

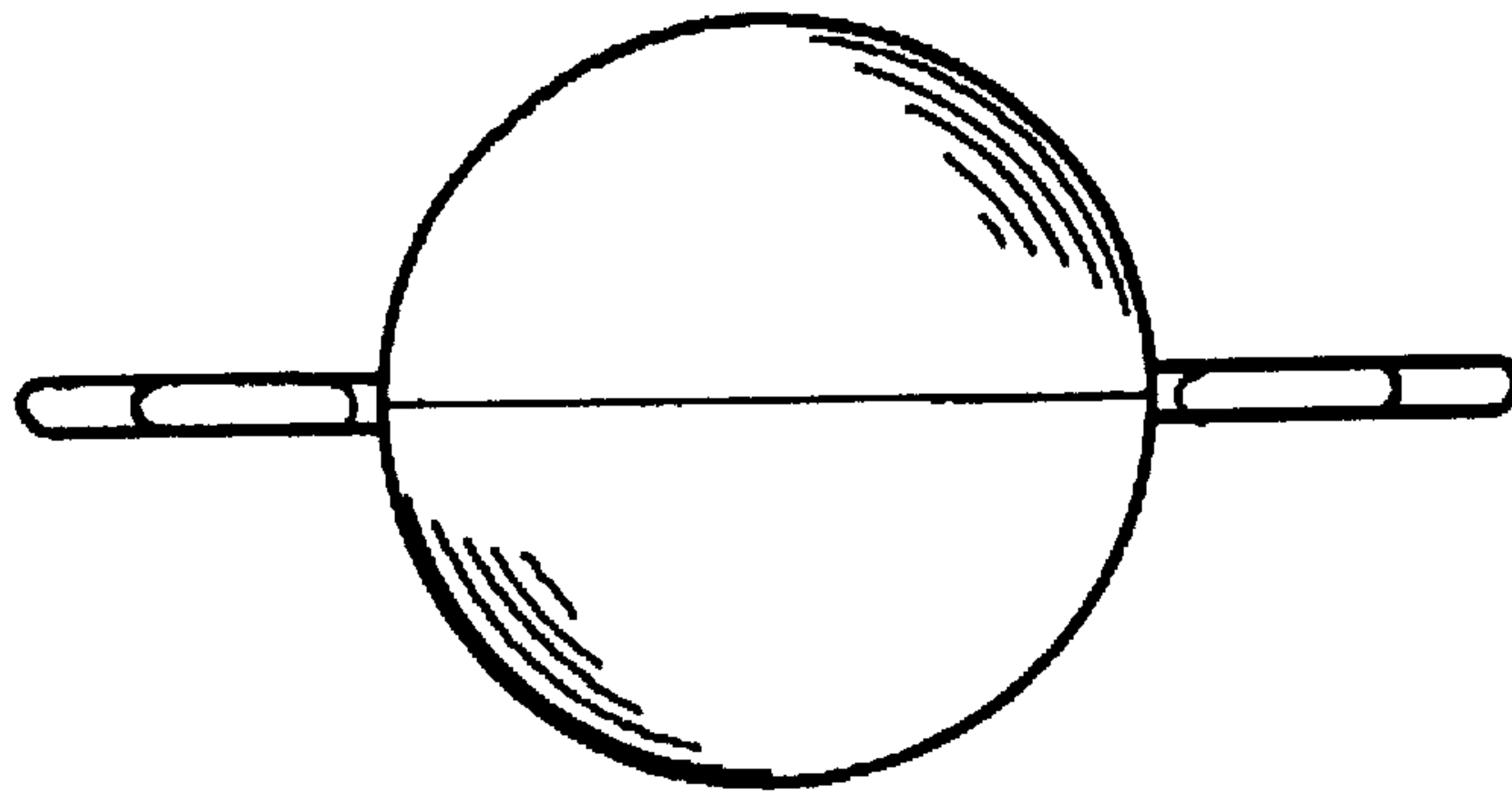


FIG. 6

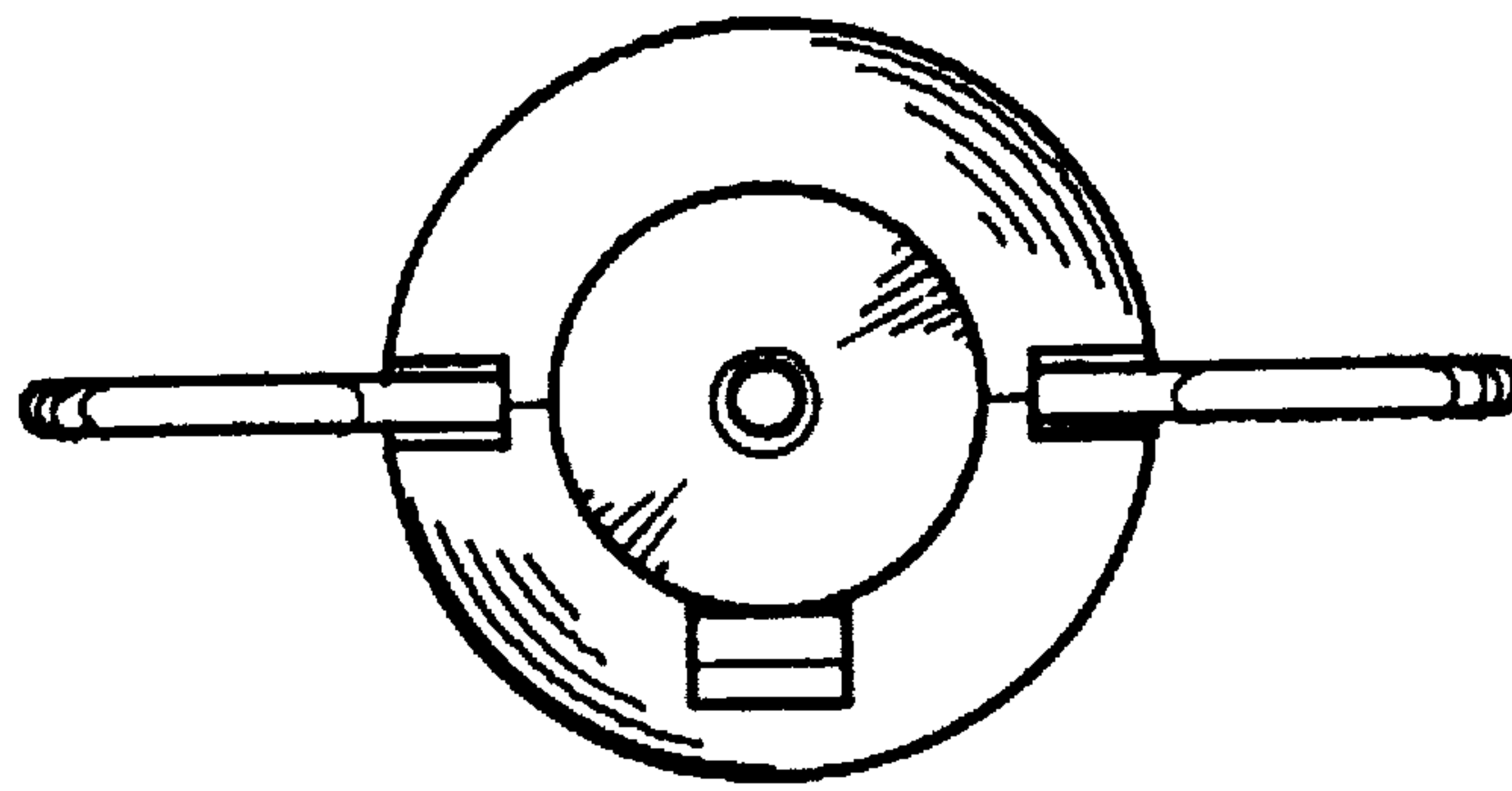


FIG. 7