



US00D392309S

**United States Patent** [19]  
**Elsweiler**

[11] **Patent Number:** **Des. 392,309**  
[45] **Date of Patent:** **\*\*Mar. 17, 1998**

[54] **EYEGLOSS TEMPLE**

D. 327,716 7/1992 Conway ..... D16/325  
2,960,787 11/1960 Quinnes ..... D16/323

[75] **Inventor:** **Jörg Elsweiler**, Essen, Germany

**OTHER PUBLICATIONS**

[73] **Assignee:** **Optik Elsweiler GmbH**, Essen, Germany

Baush and Lomb Catalog 1956, p. 23.

[\*\*] **Term:** **14 Years**

*Primary Examiner*—Raphael Barkai  
*Attorney, Agent, or Firm*—James Creighton Wray

[21] **Appl. No.:** **56,137**

[57] **CLAIM**

[22] **Filed:** **Jun. 24, 1996**

The design for the eyeglass temple, as shown and described.

[51] **LOC (6) Cl.** ..... **16-06**

**DESCRIPTION**

[52] **U.S. Cl.** ..... **D16/335; D16/323**

FIG. 1 is a side view of an eyeglass temple of the new design of the invention;

[58] **Field of Search** ..... **D16/300, 302,**

**D16/306, 309, 313-330, 335-338, 341,**  
**342; 351/41, 44, 51, 52, 111, 119, 120,**  
**158**

FIG. 2 is a top plan view of the eyeglass temple of FIG. 1;  
FIG. 3 is a detail of the side elevation of an end of the eyeglass temple shown in FIGS. 1 and 2;

FIG. 4 is an alternative detail similar to that of FIG. 3;

[56] **References Cited**

**U.S. PATENT DOCUMENTS**

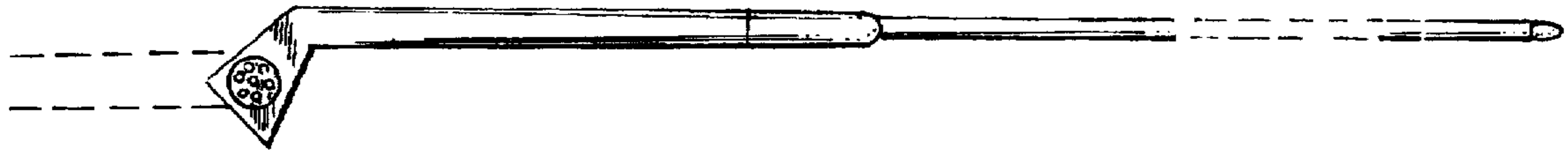
D. 103,437 3/1937 Wells ..... D16/334  
D. 108,703 3/1938 Pomerance ..... D16/334  
D. 139,613 12/1944 Norton ..... D16/323  
D. 152,487 1/1949 Mangold ..... D16/324  
D. 173,866 1/1955 Bartelstone ..... D16/325  
D. 302,696 8/1989 Bleschet et al. .... D16/326

FIG. 5 is a bottom plan view of an end of the eyeglass temple of FIG. 1; and,

FIG. 6 is a detail of the side elevation of the eyeglass temple of FIGS. 1 and 5.

The broken lines shown in FIGS. 1-6 is for illustrative purposes only and forms no part of the claimed design.

**1 Claim, 1 Drawing Sheet**



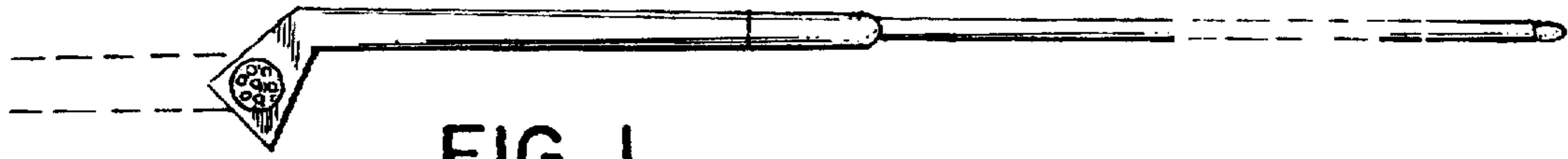


FIG. 1

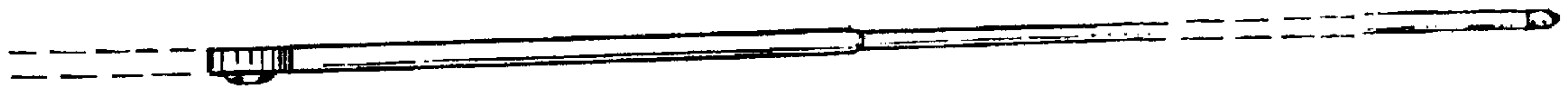


FIG. 2

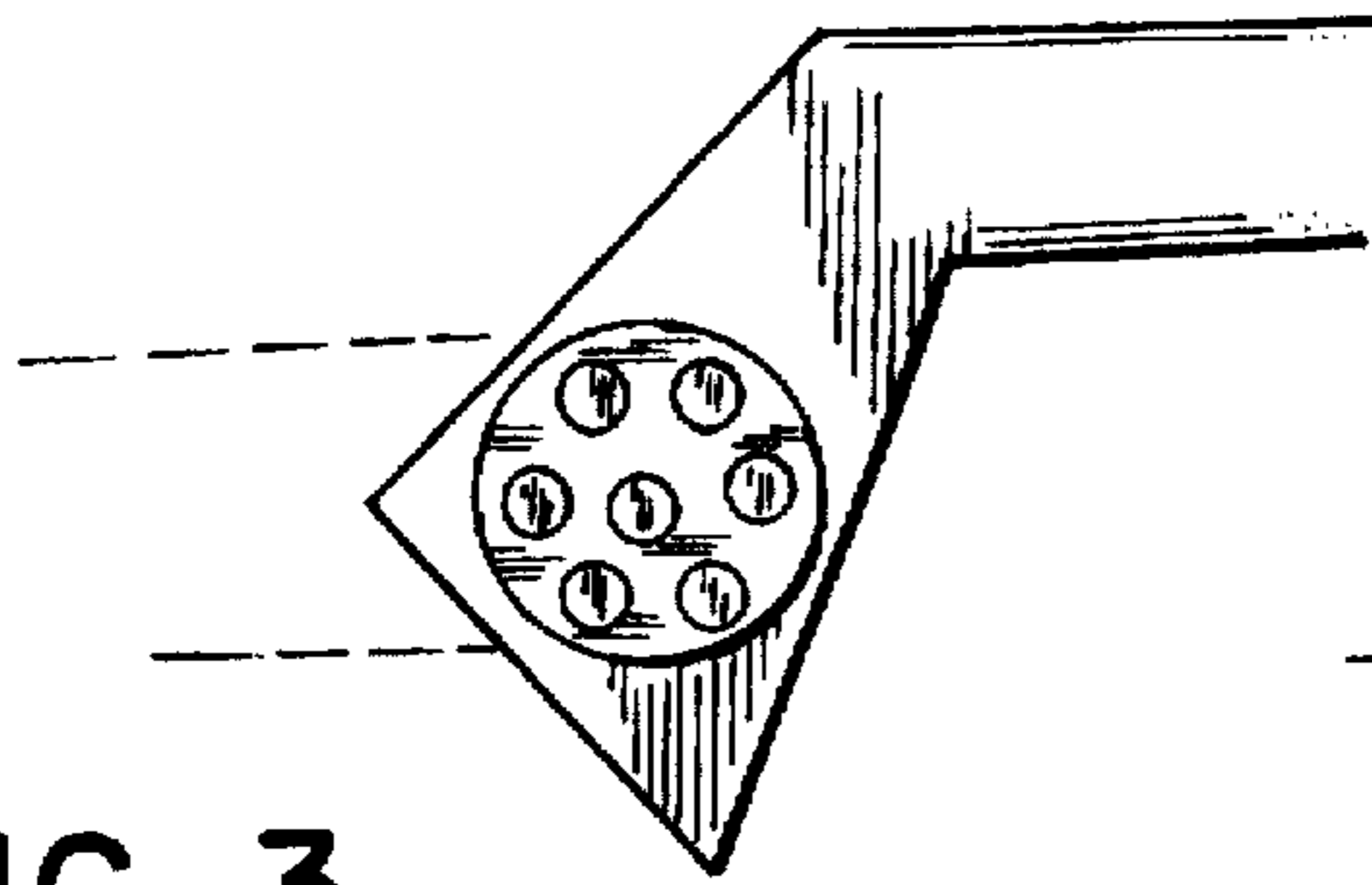


FIG. 3

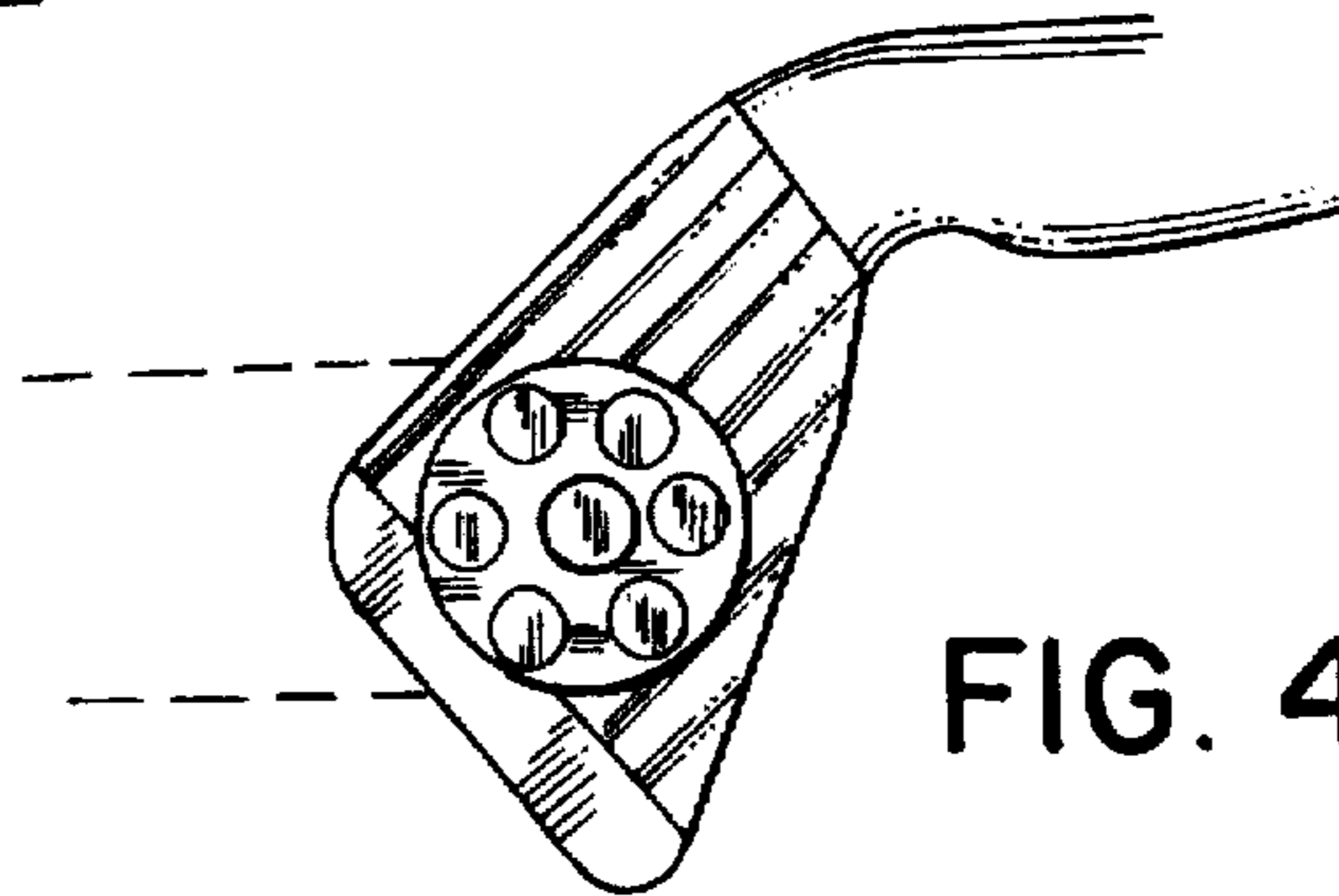


FIG. 4



FIG. 5

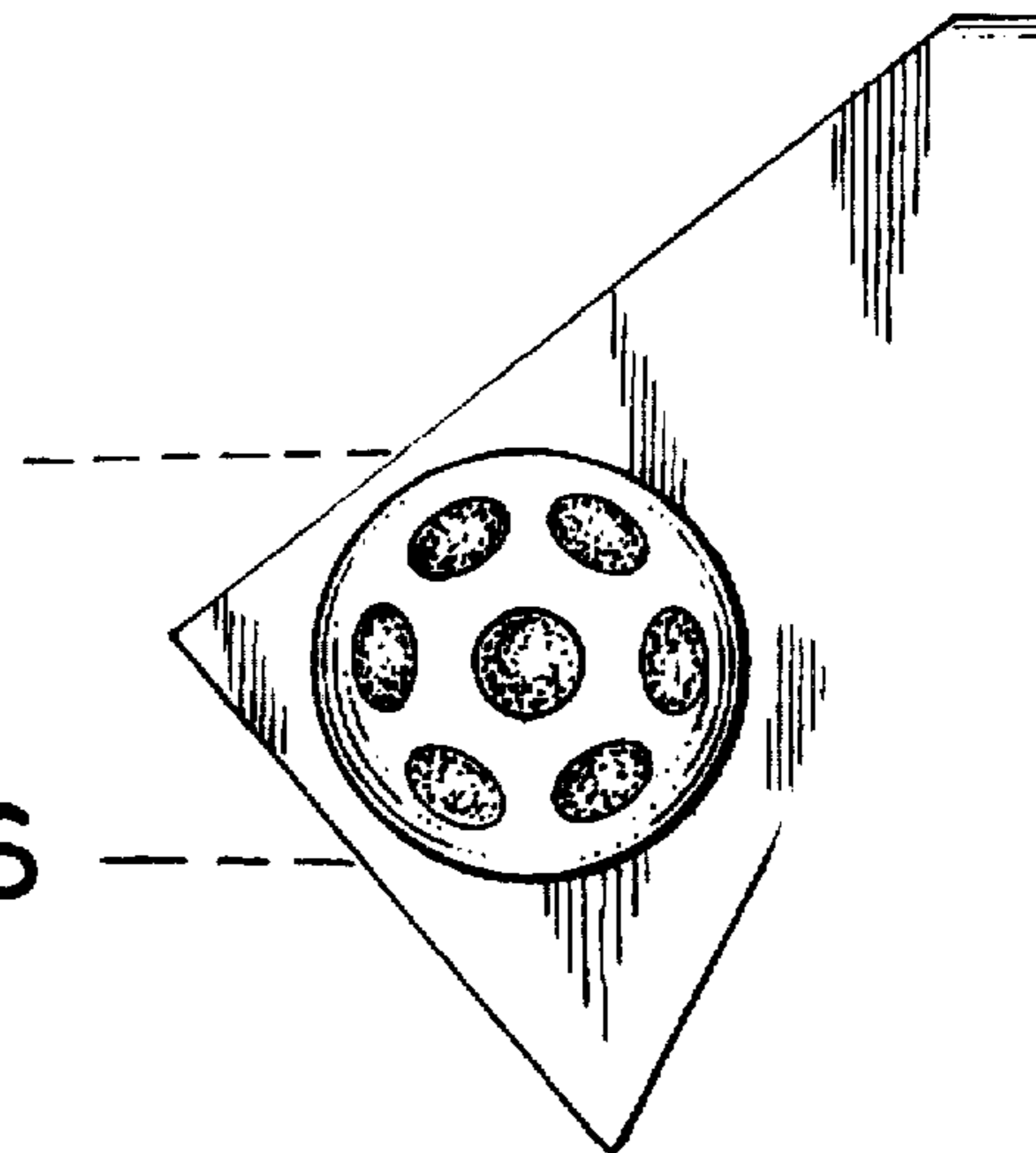


FIG. 6