



US00D392302S

# United States Patent [19]

Oota et al.

[11] Patent Number: **Des. 392,302**

[45] Date of Patent: **\*\*Mar. 17, 1998**

## [54] LIQUID CRYSTAL PROJECTOR

[75] Inventors: **Yukihiko Oota**, Osaka; **Yoshinari Horimoto**, Tokyo; **Hideo Miura**, Osaka, all of Japan

[73] Assignee: **NEC Corporation**, Tokyo, Japan

[\*\*] Term: **14 Years**

[21] Appl. No.: **62,904**

[22] Filed: **Dec. 2, 1996**

### [30] Foreign Application Priority Data

May 31, 1996 [JP] Japan ..... 8-16032

[51] LOC (6) Cl. .... **16-02**

[52] U.S. Cl. .... **D16/221; D16/230**

[58] Field of Search ..... **D16/200-205, D16/208, 221, 225, 229, 230, 231, 233, 234; 352/34, 242, 243; 353/115, 119, 122**

### [56] References Cited

#### U.S. PATENT DOCUMENTS

D. 256,248	8/1980	Alt	.....	D16/233
D. 371,148	6/1996	Kobayashi	.....	D16/221
D. 374,024	9/1996	Onoda	.....	D16/230
2,916,964	12/1959	Paulsohn	.....	353/115

## OTHER PUBLICATIONS

Sharp Catalog, Aug. 1993 p. 5 (Projector E1Z) Located in examiner's office.

Sony "VPL-V500QJ" brochure, 1 sheet (two-sided), published prior to May, 1996.

Epson Projector ELP-3300 brochure, 1 sheet (two-sided), published prior to May, 1996.

*Primary Examiner*—Ted Shooman

*Assistant Examiner*—Adir Aronovich

*Attorney, Agent, or Firm*—Sughrue, Mion, Zinn, Macpeak & Seas, PLLC

## [57] CLAIM

The ornamental design for a liquid crystal projector, as shown.

## DESCRIPTION

FIG. 1 is a perspective view of the top, front and left side of a liquid crystal projector showing our new design;

FIG. 2 is a top plan view thereof;

FIG. 3 is a bottom plan view thereof;

FIG. 4 is a right side elevational view thereof;

FIG. 5 is a left side elevational view thereof;

FIG. 6 is a rear elevational view thereof; and,

FIG. 7 is a front elevational view thereof.

**1 Claim, 5 Drawing Sheets**

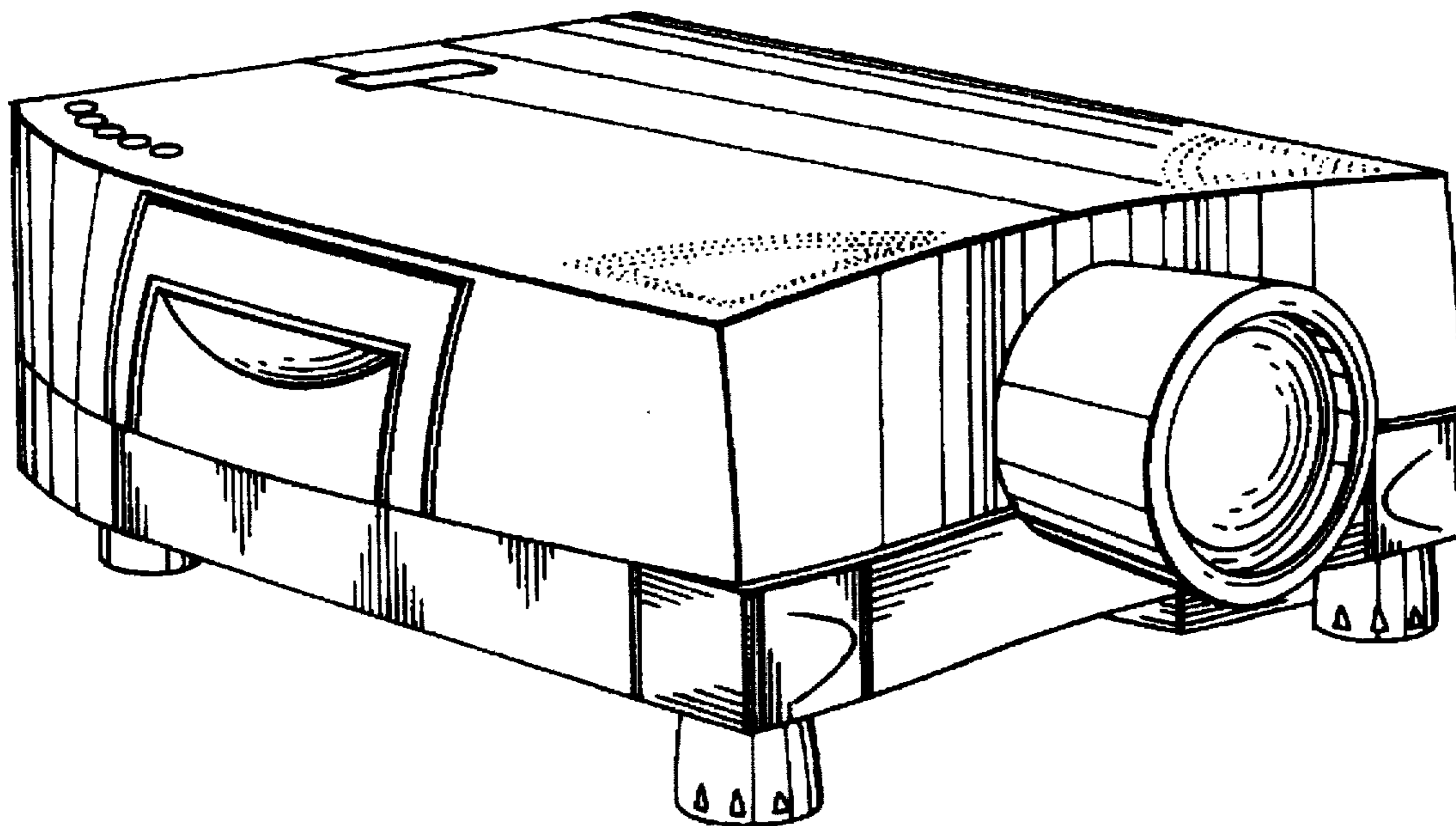


FIG. 1

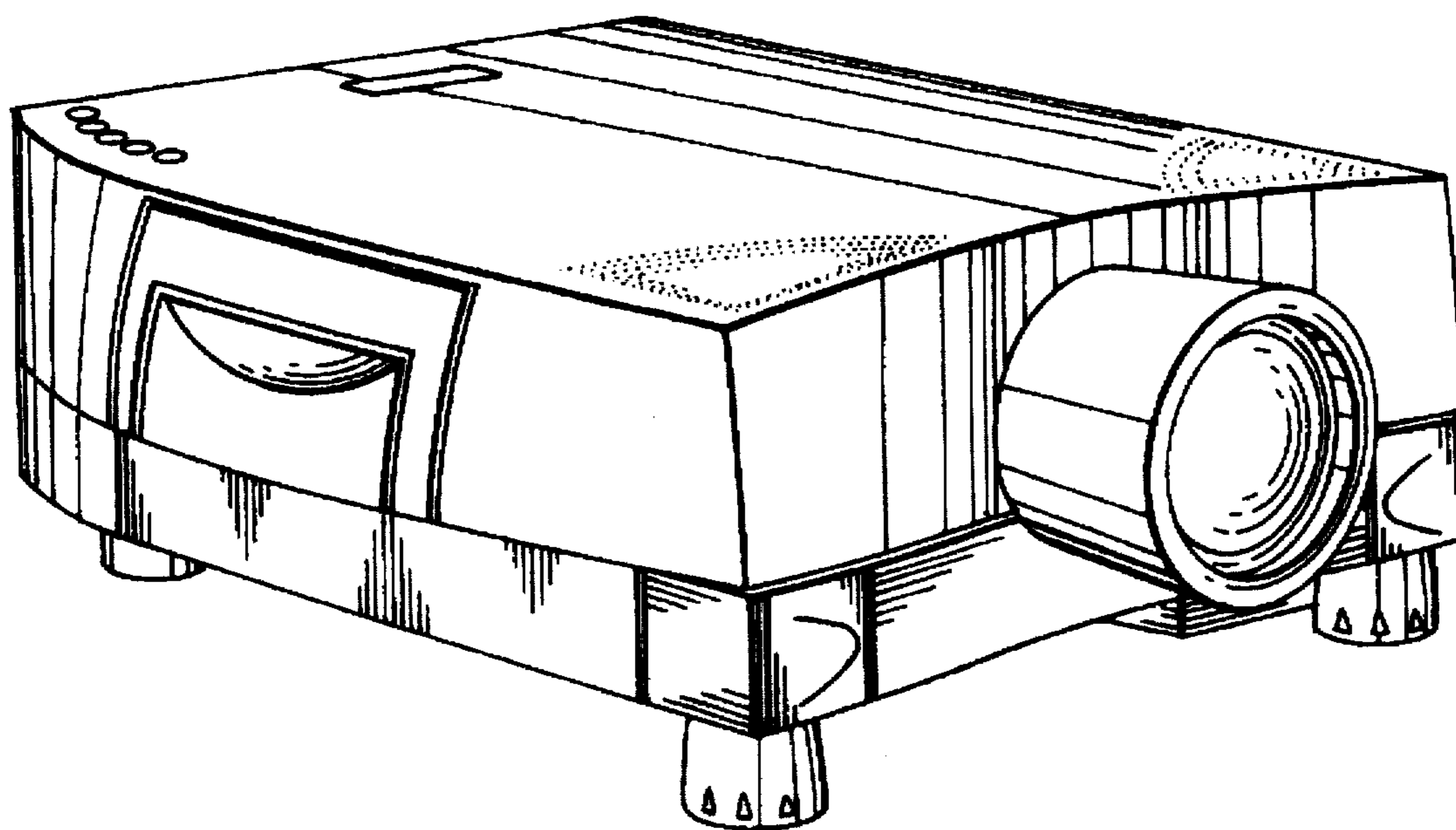


FIG. 2

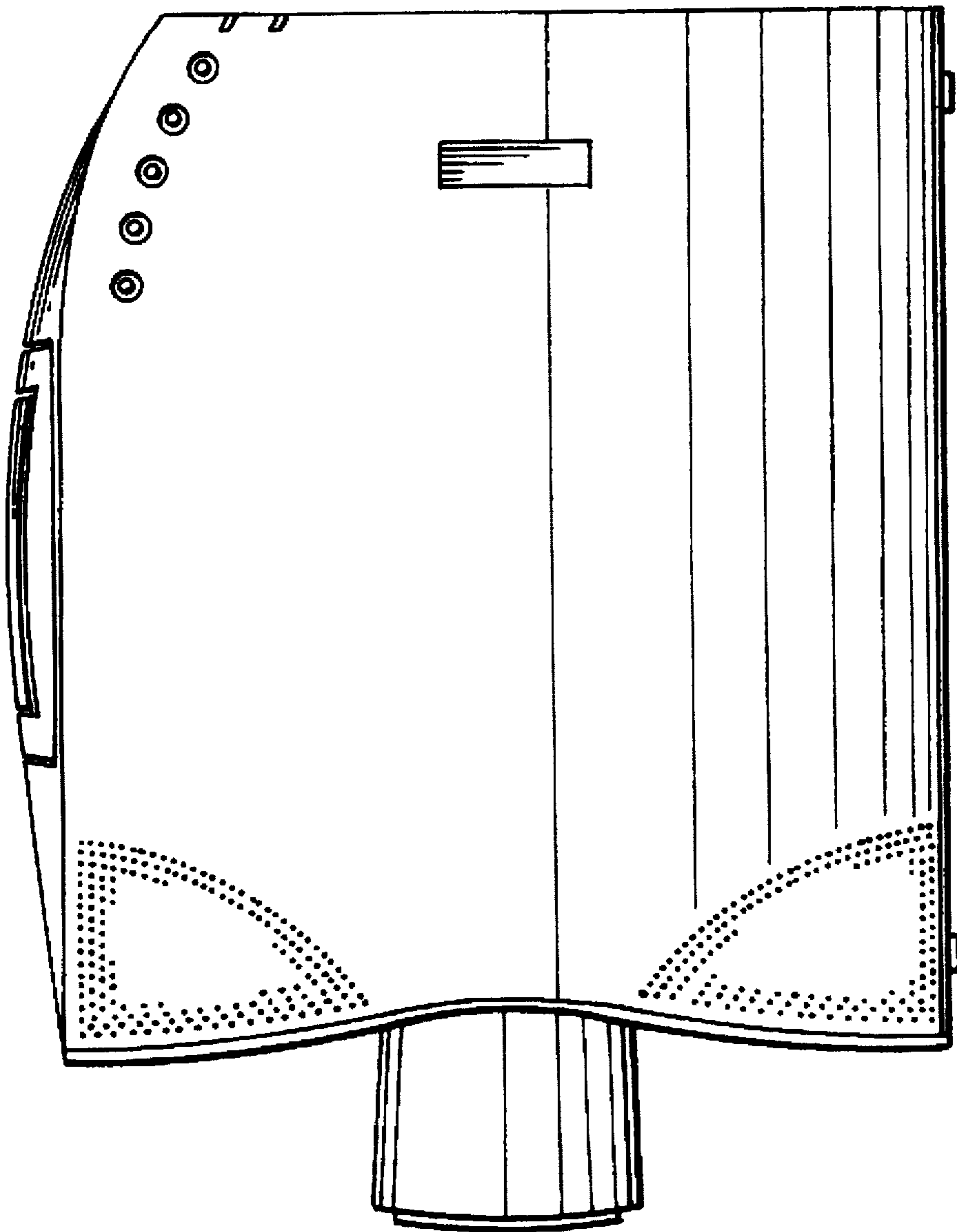


FIG. 3

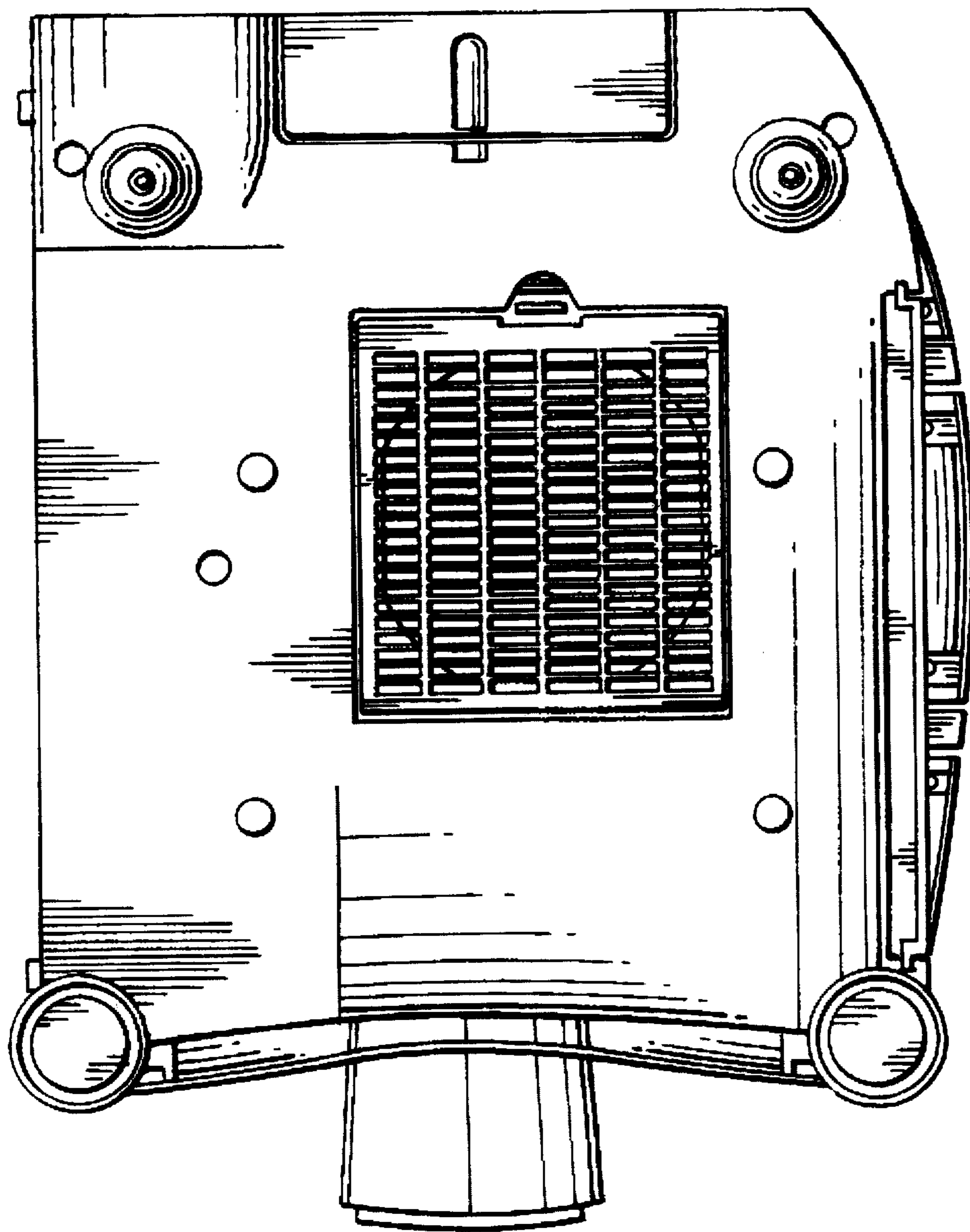


FIG. 4

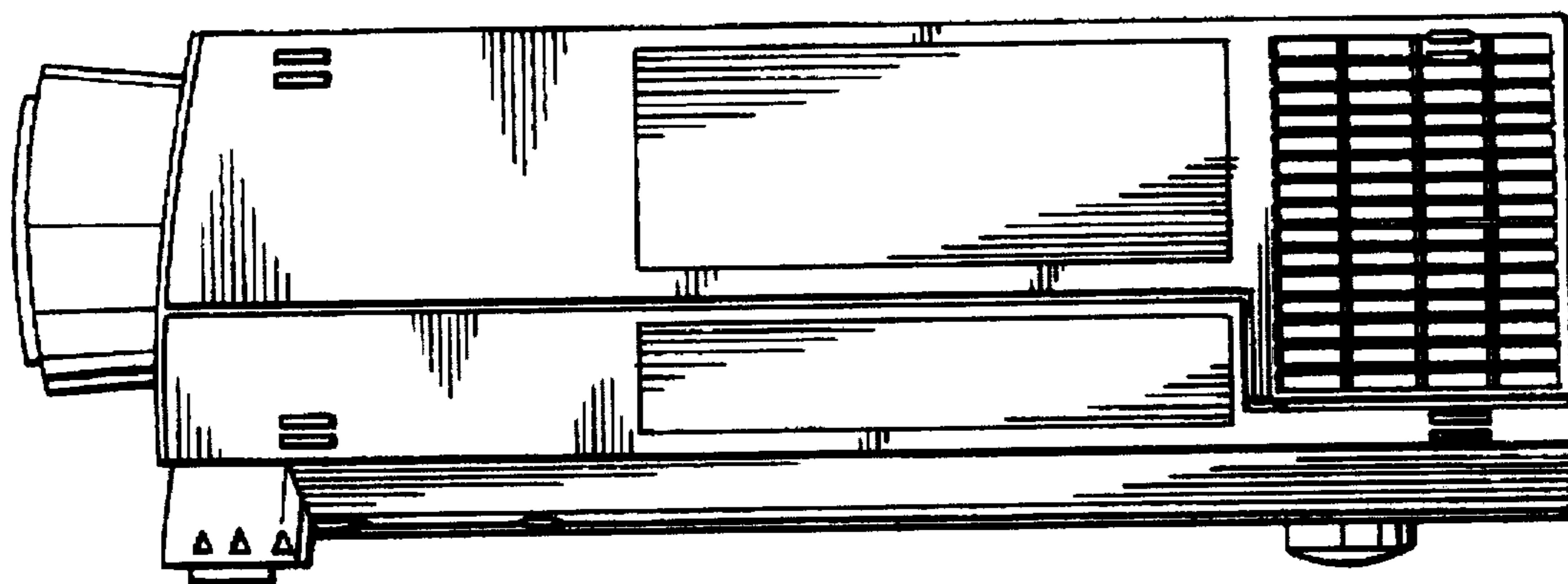


FIG. 5

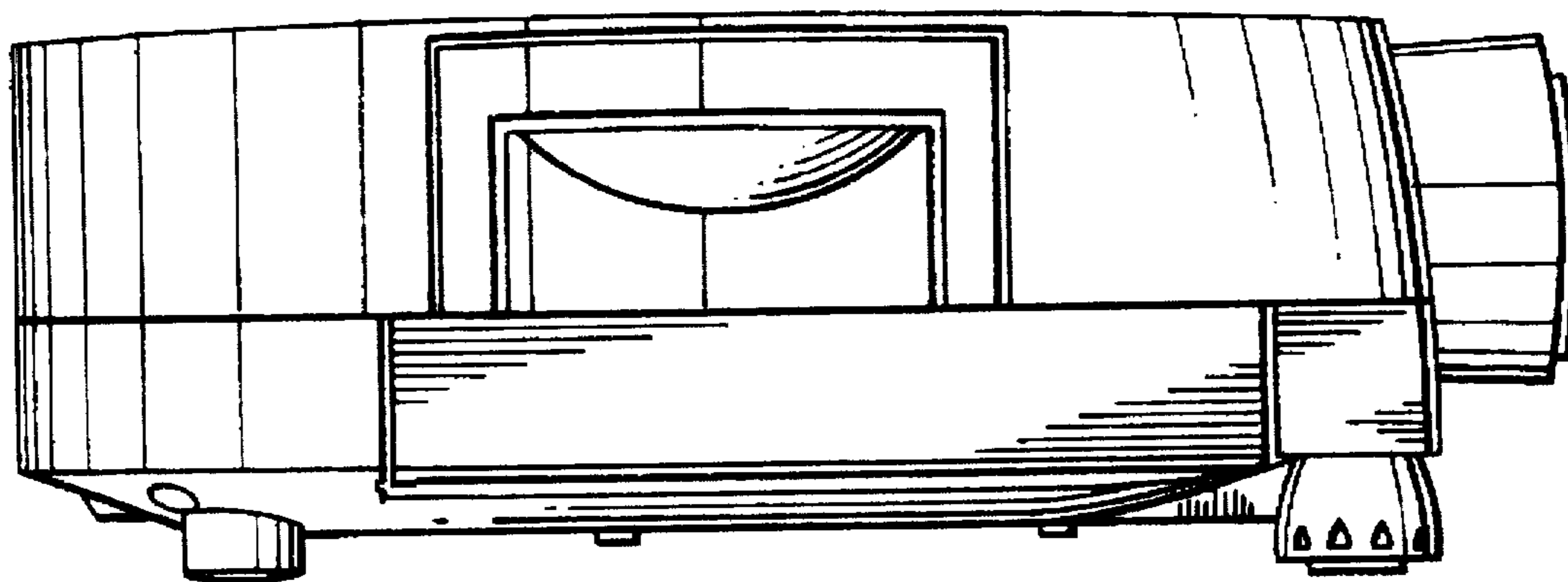


FIG. 6

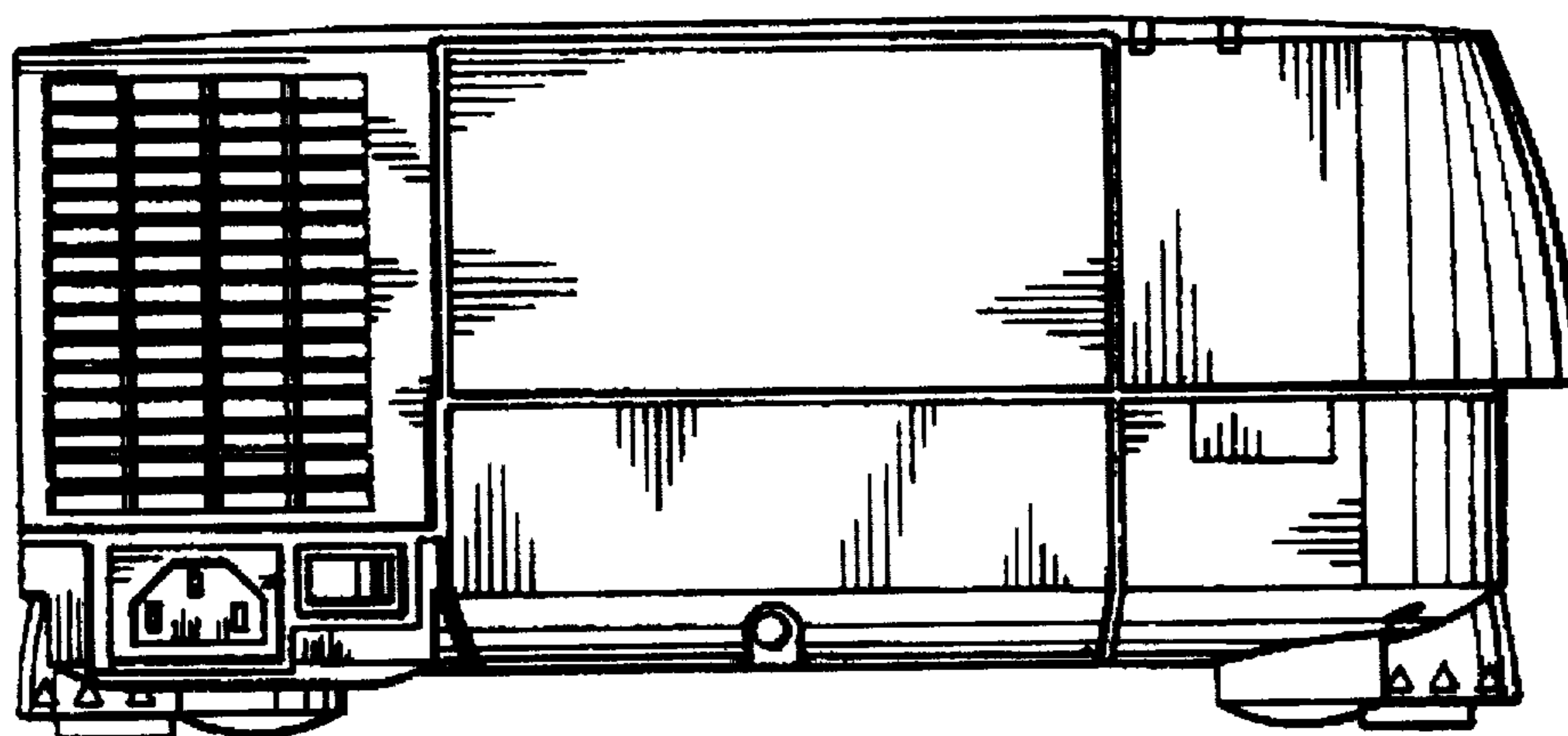


FIG. 7

