



US00D392300S

# United States Patent [19]

Chow et al.

[11] Patent Number: **Des. 392,300**

[45] Date of Patent: **\*\*Mar. 17, 1998**

## [54] CAMERA HOUSING

[75] Inventors: **Cary Robert Chow; Juan Pablo Cilia**, both of Los Angeles; **Christopher Warren Glupker**, Van Nuys; **Donald Joseph Hunting**, Moorpark; **Lance Gordon Hussey**, Sherman Oaks; **Ravi Kumar Sawhney**, Calabasas; **John Frank Zinni**, Capistrano Beach, all of Calif.

[73] Assignee: **Zero Corporation**, Los Angeles, Calif.

[\*\*] Term: **14 Years**

[21] Appl. No.: **67,092**

[22] Filed: **Mar. 4, 1997**

[51] LOC (6) Cl. .... **16-01**

[52] U.S. Cl. .... **D16/203**

[58] Field of Search ..... D16/200-205;  
348/143, 373-376; 396/427, 433, 535-543;  
379/55

## [56] References Cited

### U.S. PATENT DOCUMENTS

D. 244,931 7/1977 Miller et al. .... D16/205

D. 307,915 5/1990 Kuester, II ..... D16/204  
D. 319,068 8/1991 Shinano ..... D16/202  
D. 378,095 2/1997 Hasegawa ..... D16/203  
4,768,090 8/1988 Camps et al. .... 348/143

## OTHER PUBLICATIONS

Computer Telephony Expo Catalog, Dallas TX, Mar. 1995.

*Primary Examiner*—Philip S. Hyder

*Assistant Examiner*—Adir Aronovich

*Attorney, Agent, or Firm*—Pretty, Schroeder & Poplawski

## [57] CLAIM

The ornamental design for a camera housing, as shown and described.

## DESCRIPTION

FIG. 1 is a perspective view from the front upper right of the camera housing design of the invention;

FIG. 2 is a front view;

FIG. 3 is a rear view;

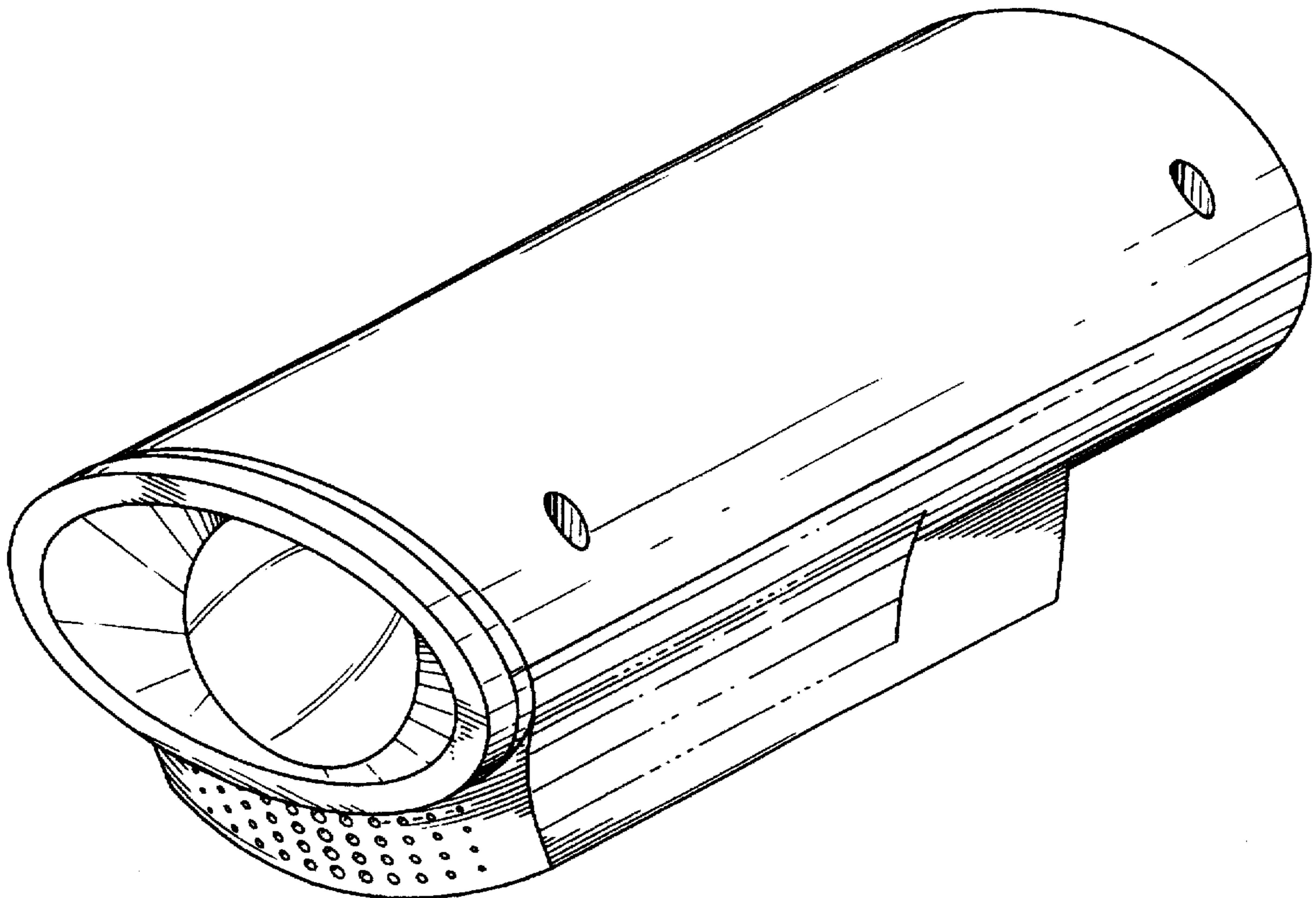
FIG. 4 is a bottom view;

FIG. 5 is a right side view;

FIG. 6 is a left side view; and,

FIG. 7 is a bottom view.

**1 Claim, 6 Drawing Sheets**



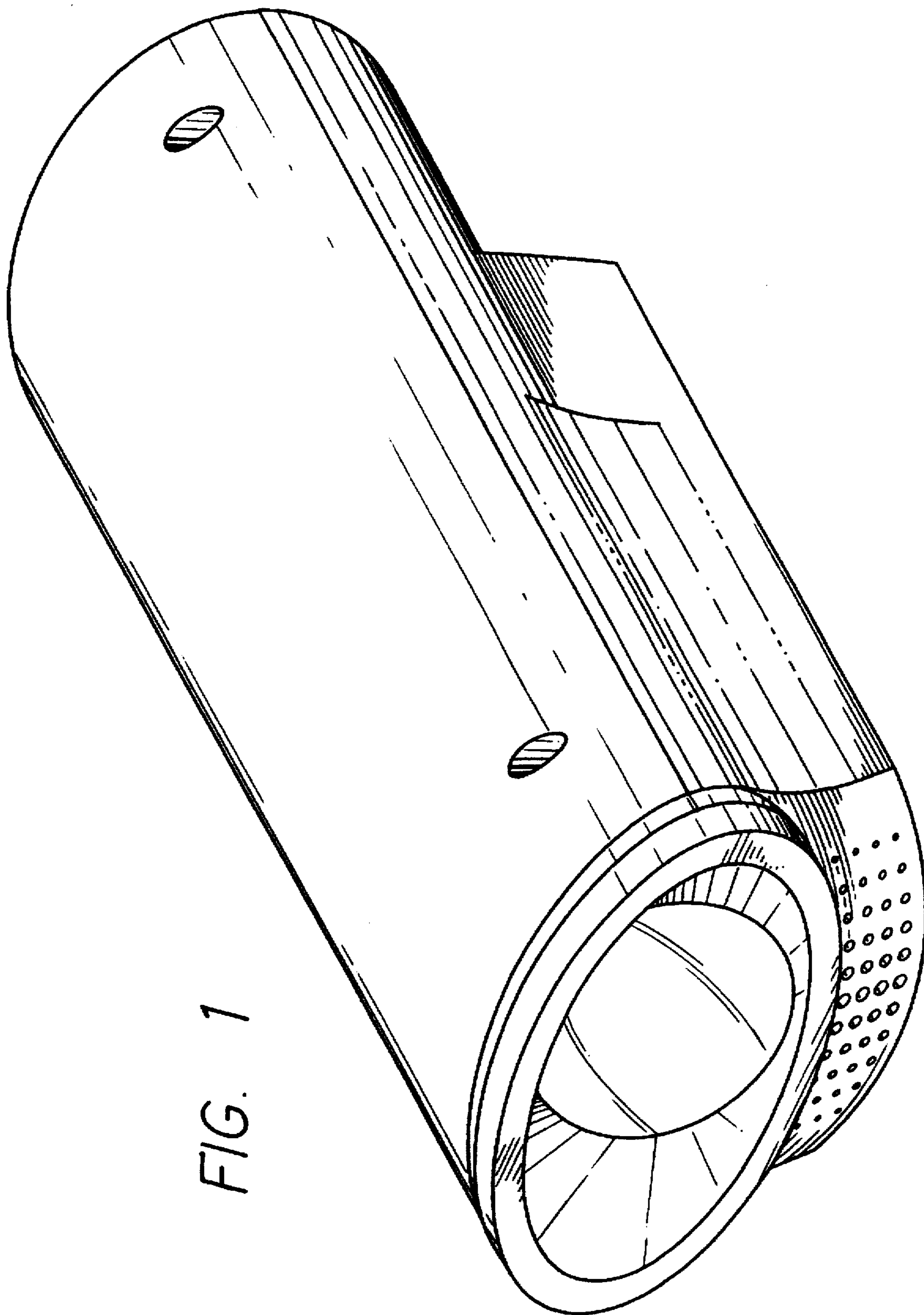


FIG. 1

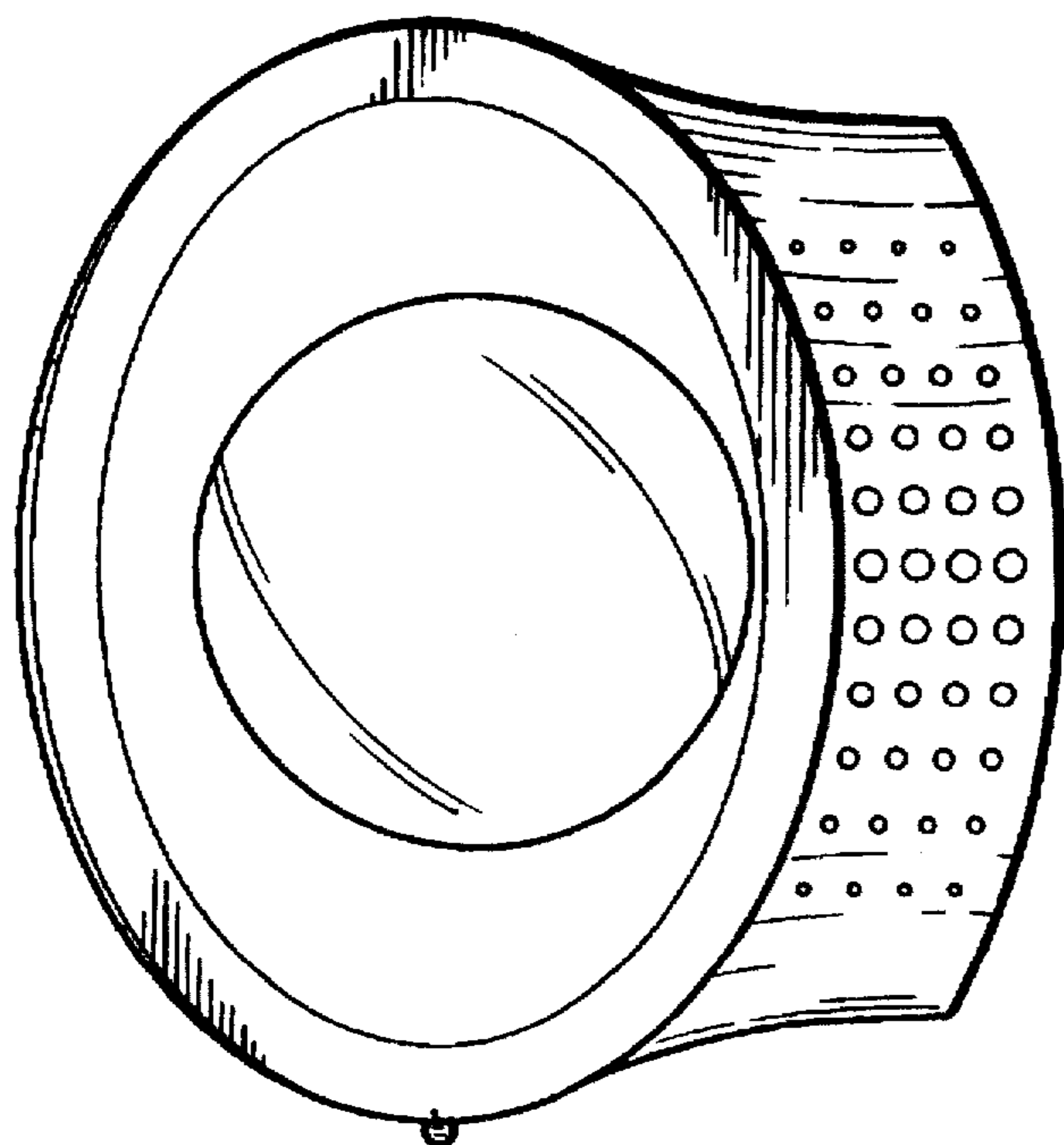


FIG. 2

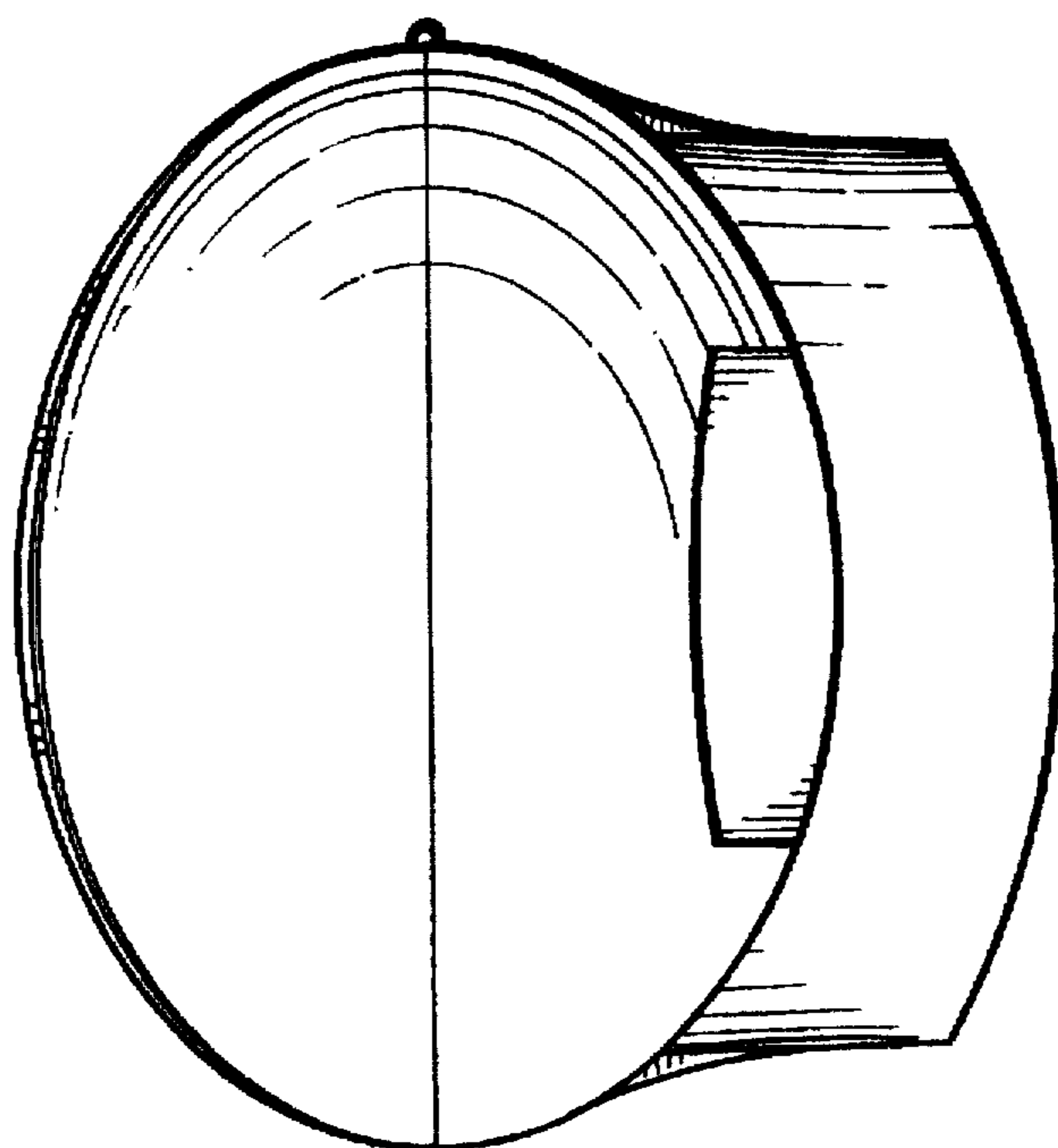


FIG. 3

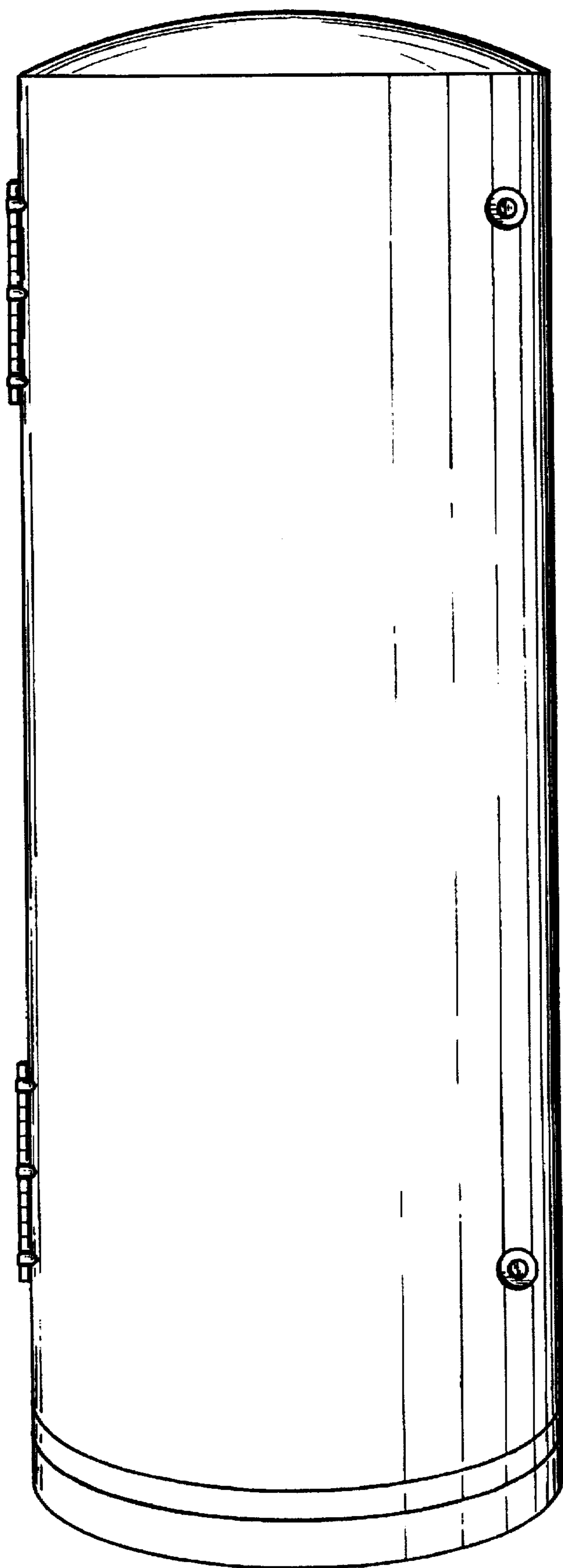


FIG. 4

FIG. 5

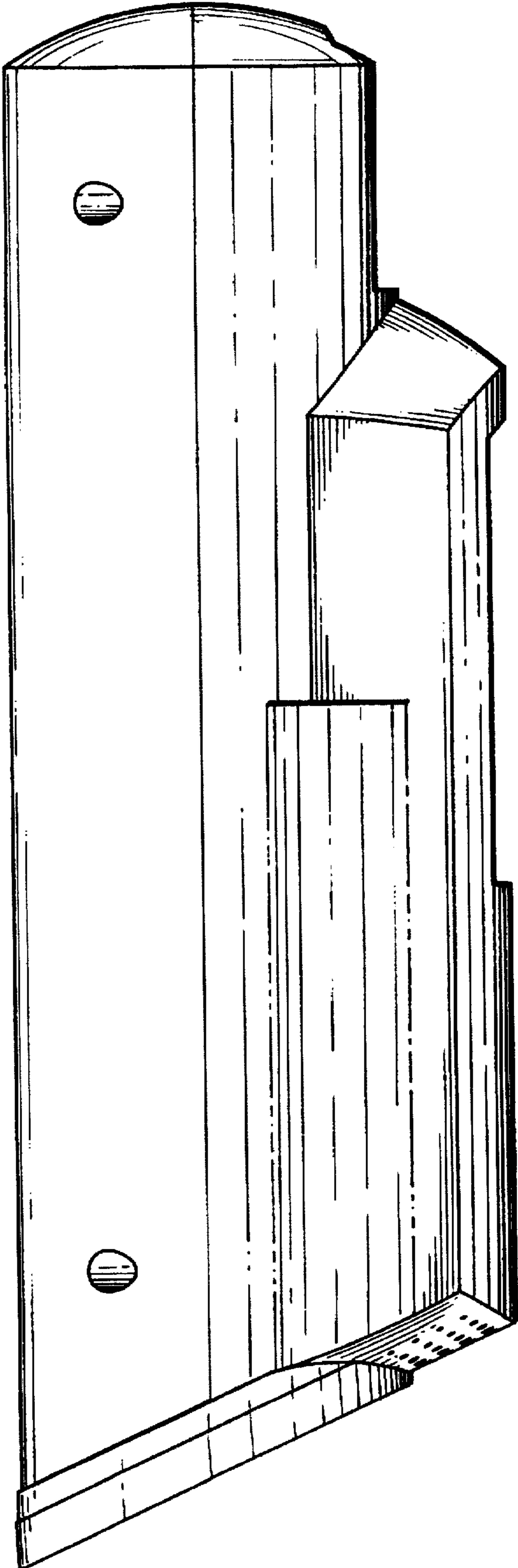
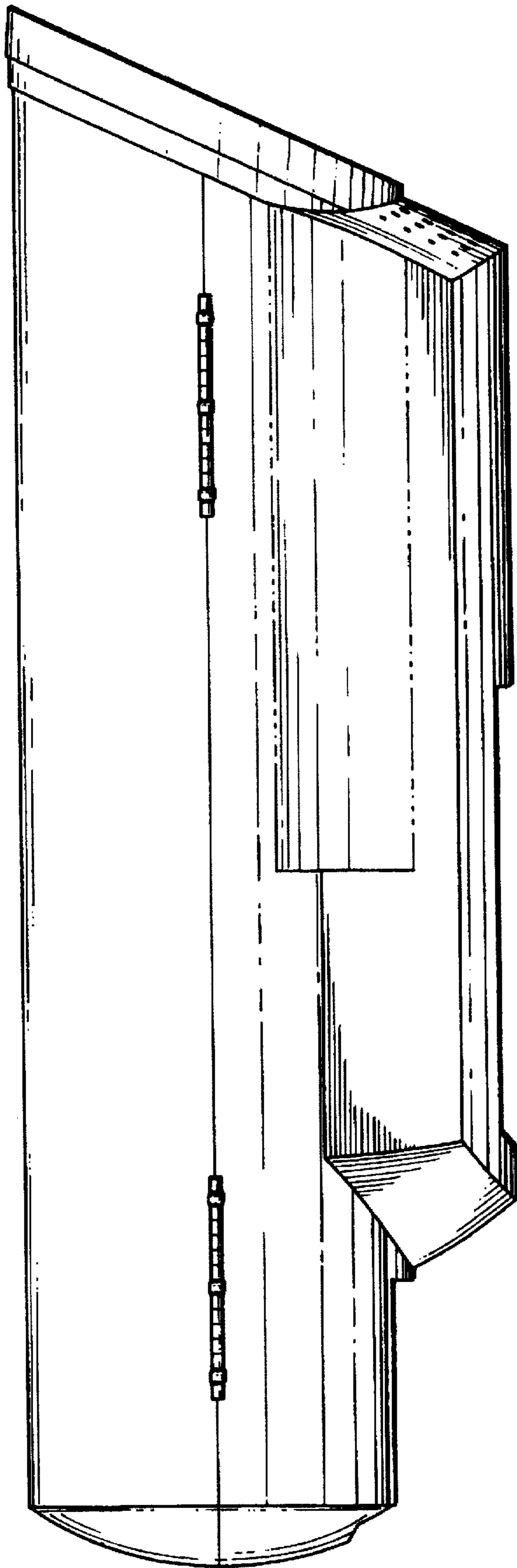


FIG. 6



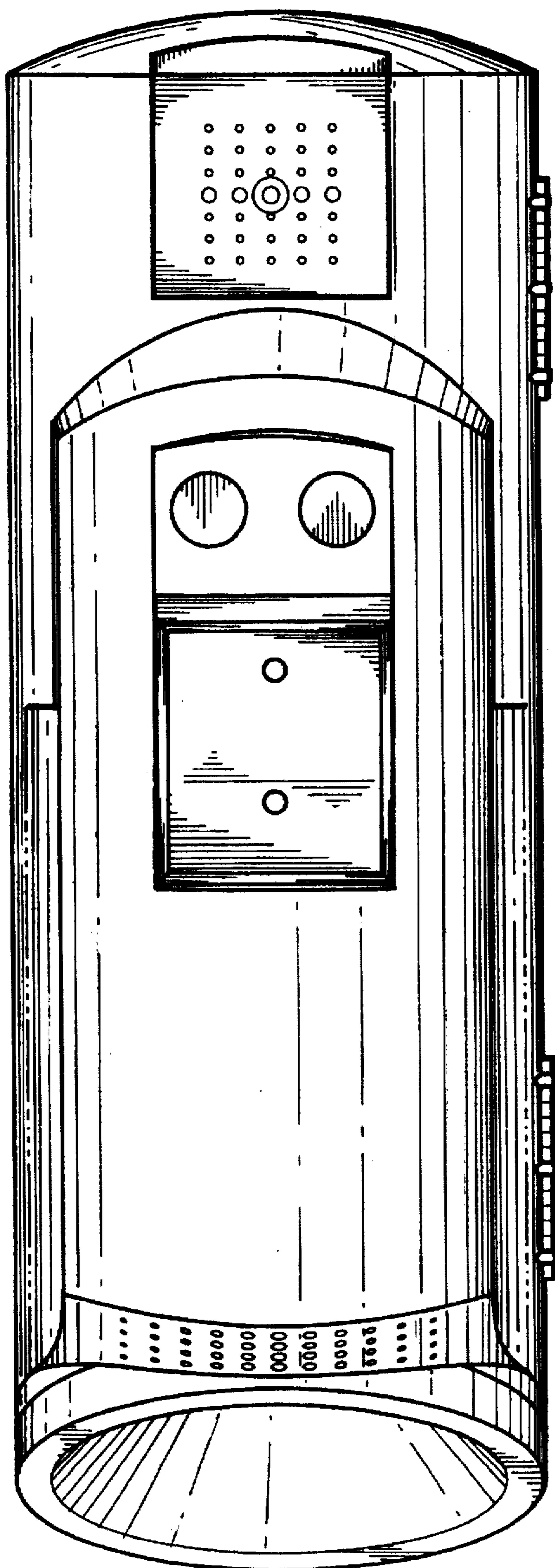


FIG. 7