



US00D392299S

# United States Patent [19] Lin

[11] Patent Number: **Des. 392,299**  
[45] Date of Patent: **\*\*Mar. 17, 1998**

[54] **PC CAMERA**

[75] Inventor: **Ming-Te Lin**, Taipei, Taiwan

[73] Assignee: **Asia Microelectronic Development Inc.**, Taiwan

[\*\*] Term: **14 Years**

[21] Appl. No.: **69,553**

[22] Filed: **Apr. 28, 1997**

[51] LOC (6) Cl. .... **16-01**

[52] U.S. Cl. .... **D16/202**

[58] Field of Search ..... D16/200-205,  
D16/208; 348/14-20, 373-376; 358/906,  
909.1; 396/535-543

[56] **References Cited**

**U.S. PATENT DOCUMENTS**

D. 340,253	10/1993	Fedorczak	.....	D16/203
D. 357,929	5/1995	Pierce	.....	D16/202
D. 363,730	10/1995	Flohr et al.	.....	D16/202
D. 363,731	10/1995	Alden et al.	.....	D16/202
D. 380,000	6/1997	Nakada et al.	.....	D16/202

**OTHER PUBLICATIONS**

Harris Corporation Catalog, Cover page 1990.

*Primary Examiner*—Philip S. Hyder  
*Assistant Examiner*—Adir Aronovich  
*Attorney, Agent, or Firm*—Ostrolenk, Faber, Gerb & Soffen, LLP

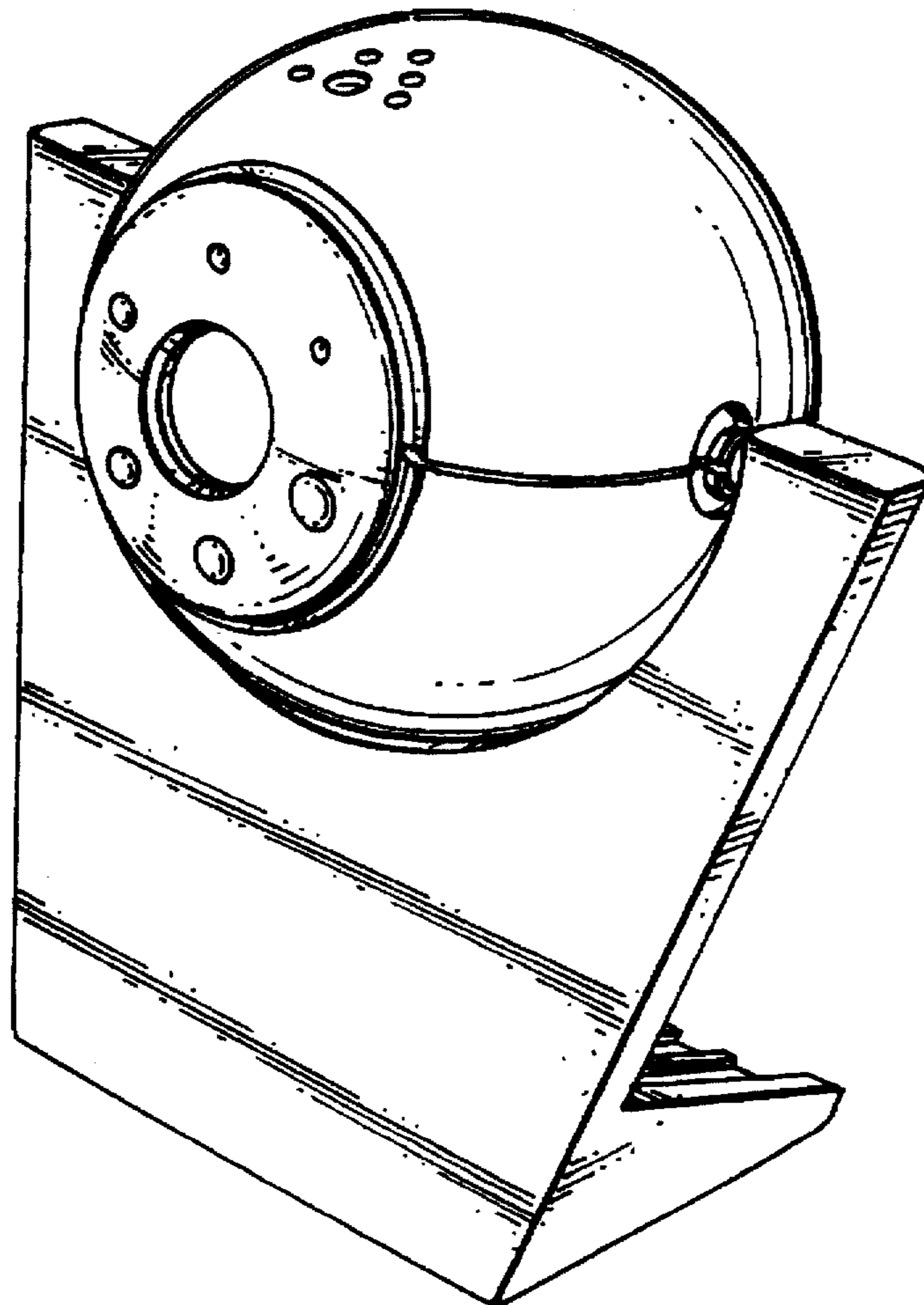
[57] **CLAIM**

The ornamental design for pc camera, as shown and described.

**DESCRIPTION**

FIG. 1 is a perspective view of pc camera showing my new design;  
FIG. 2 is a front elevational view thereof;  
FIG. 3 is a rear elevational view thereof;  
FIG. 4 is a left side elevational view thereof;  
FIG. 5 is a right side elevational view thereof;  
FIG. 6 is a top view thereof; and  
FIG. 7 is a bottom view thereof.

**1 Claim, 4 Drawing Sheets**



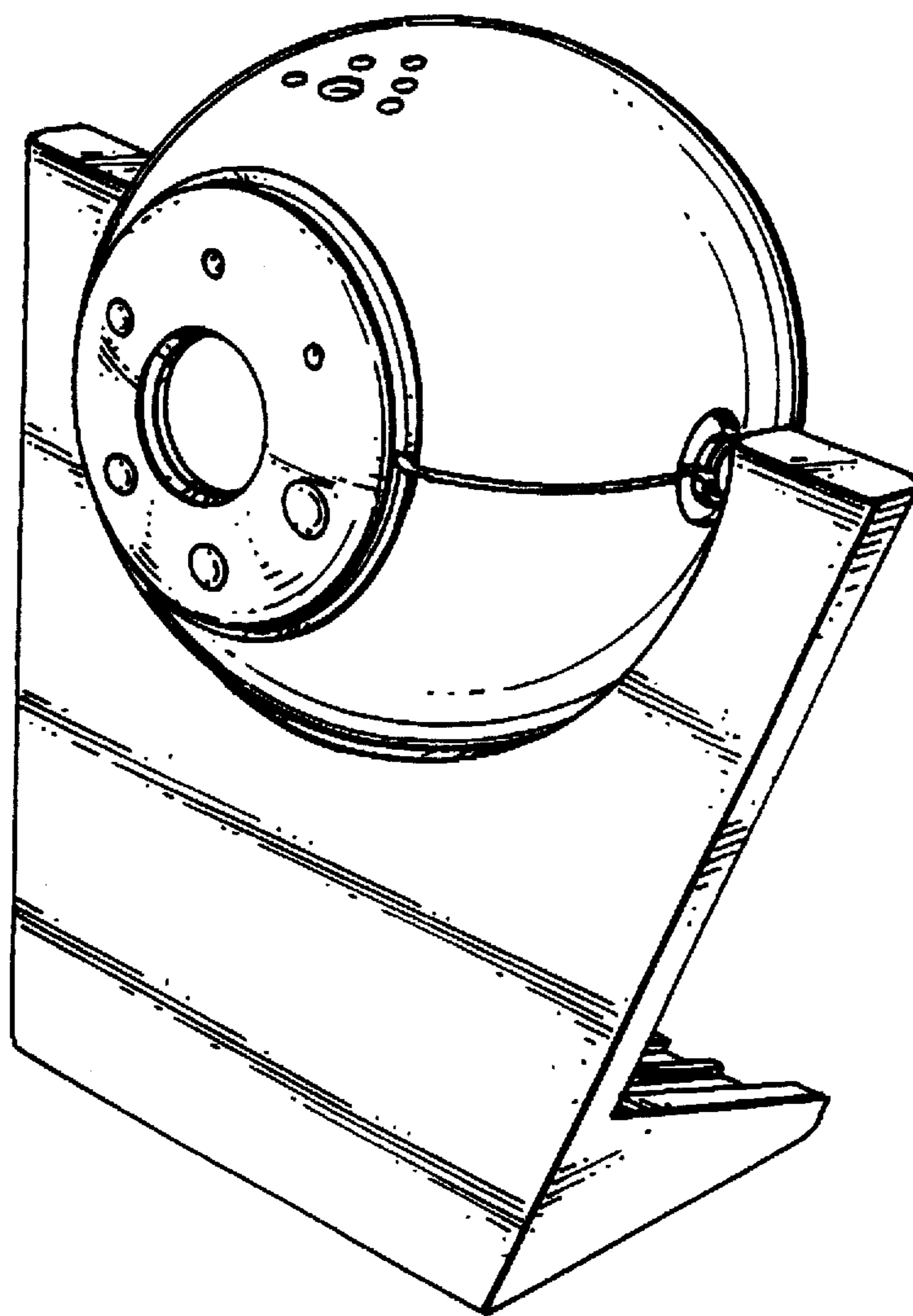


FIG. 1

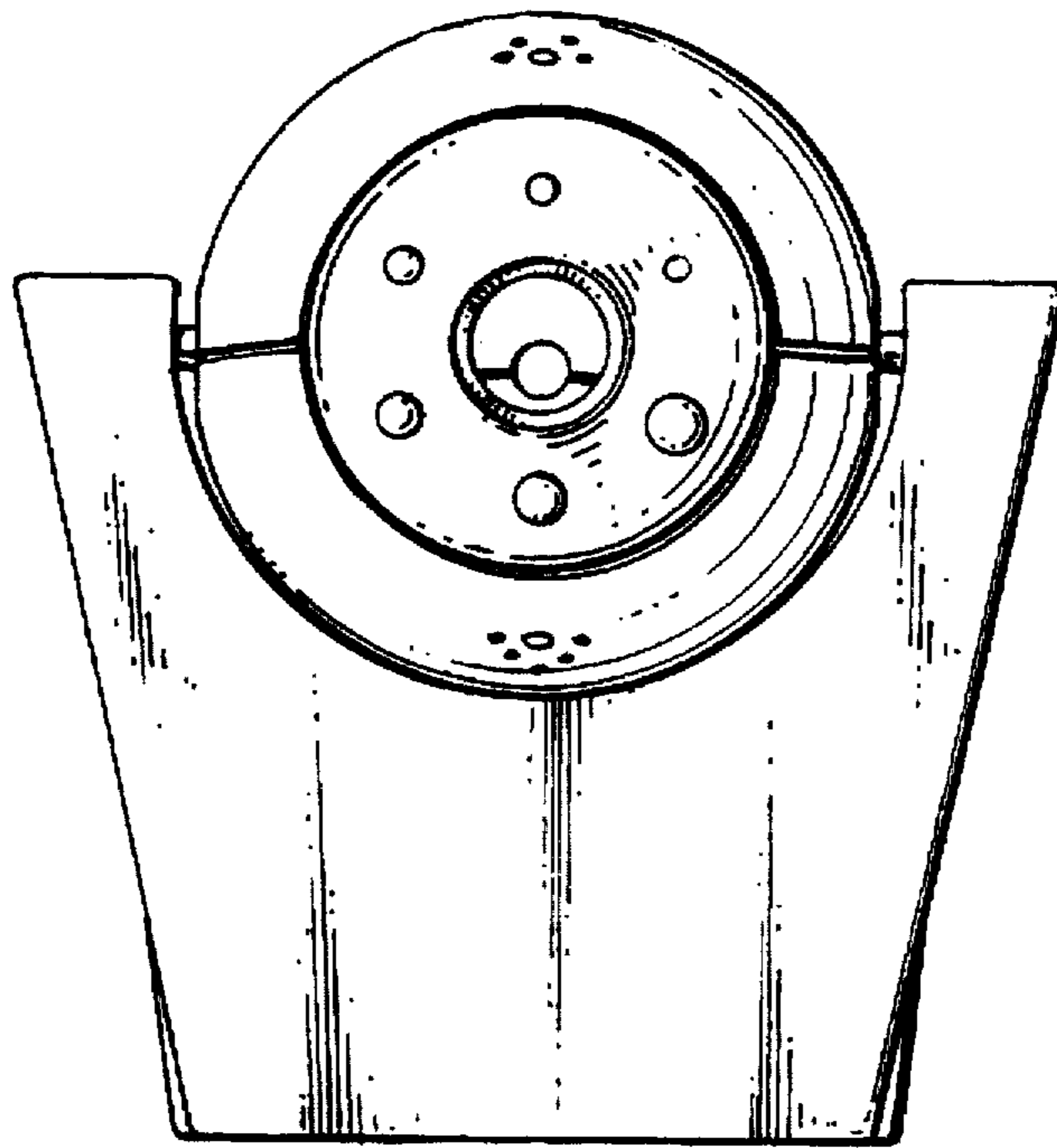


FIG. 2

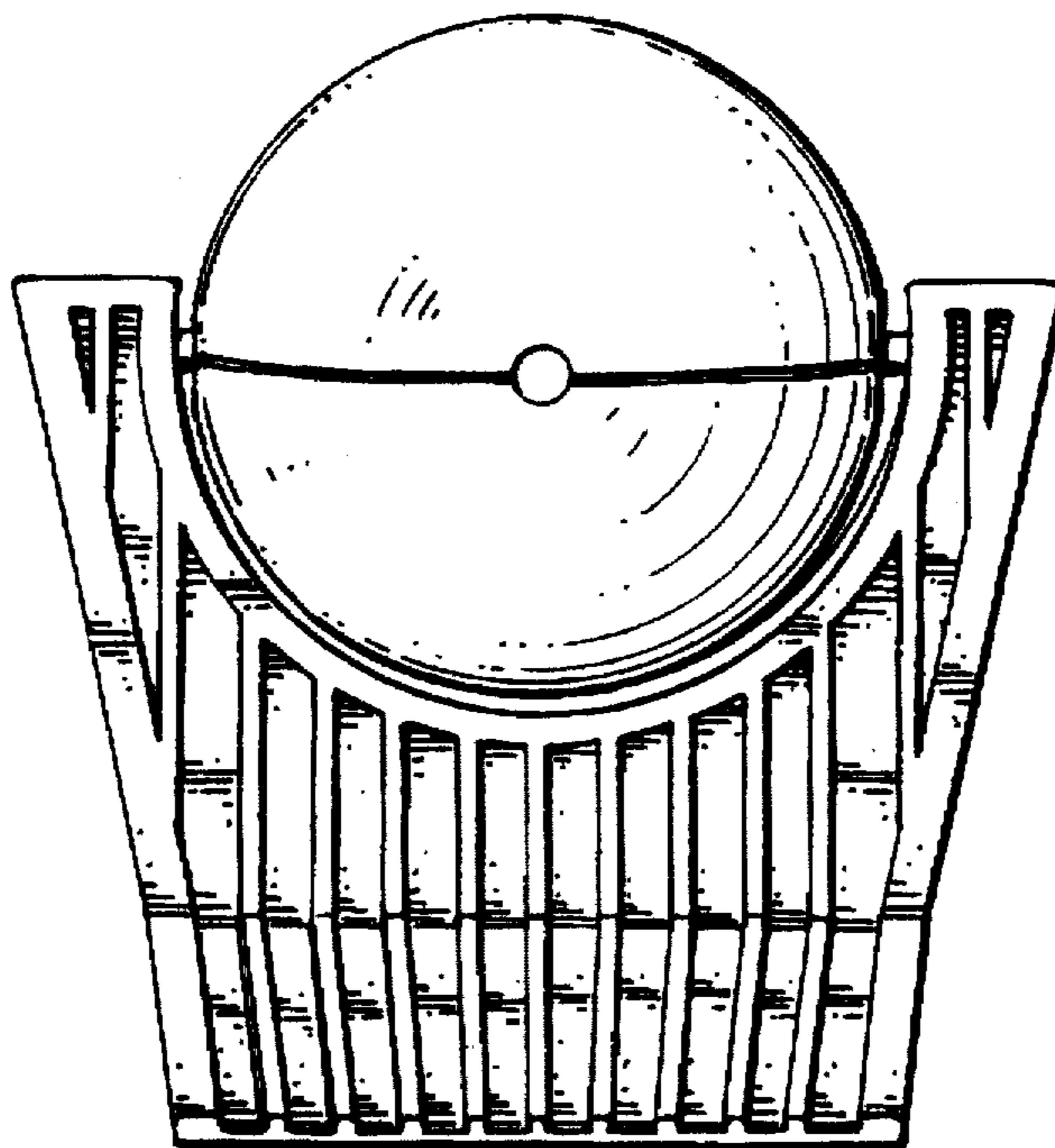


FIG. 3

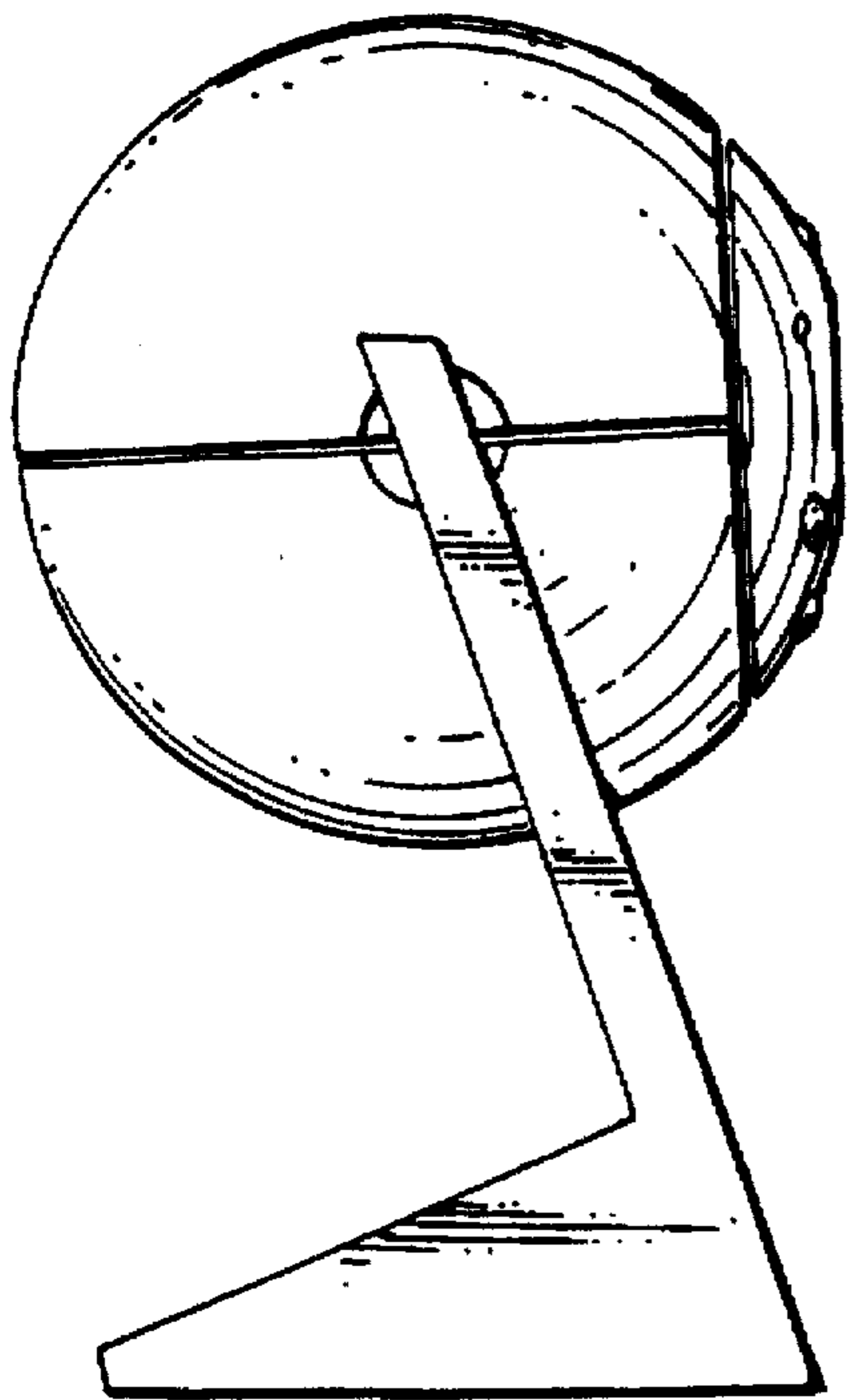


FIG. 4

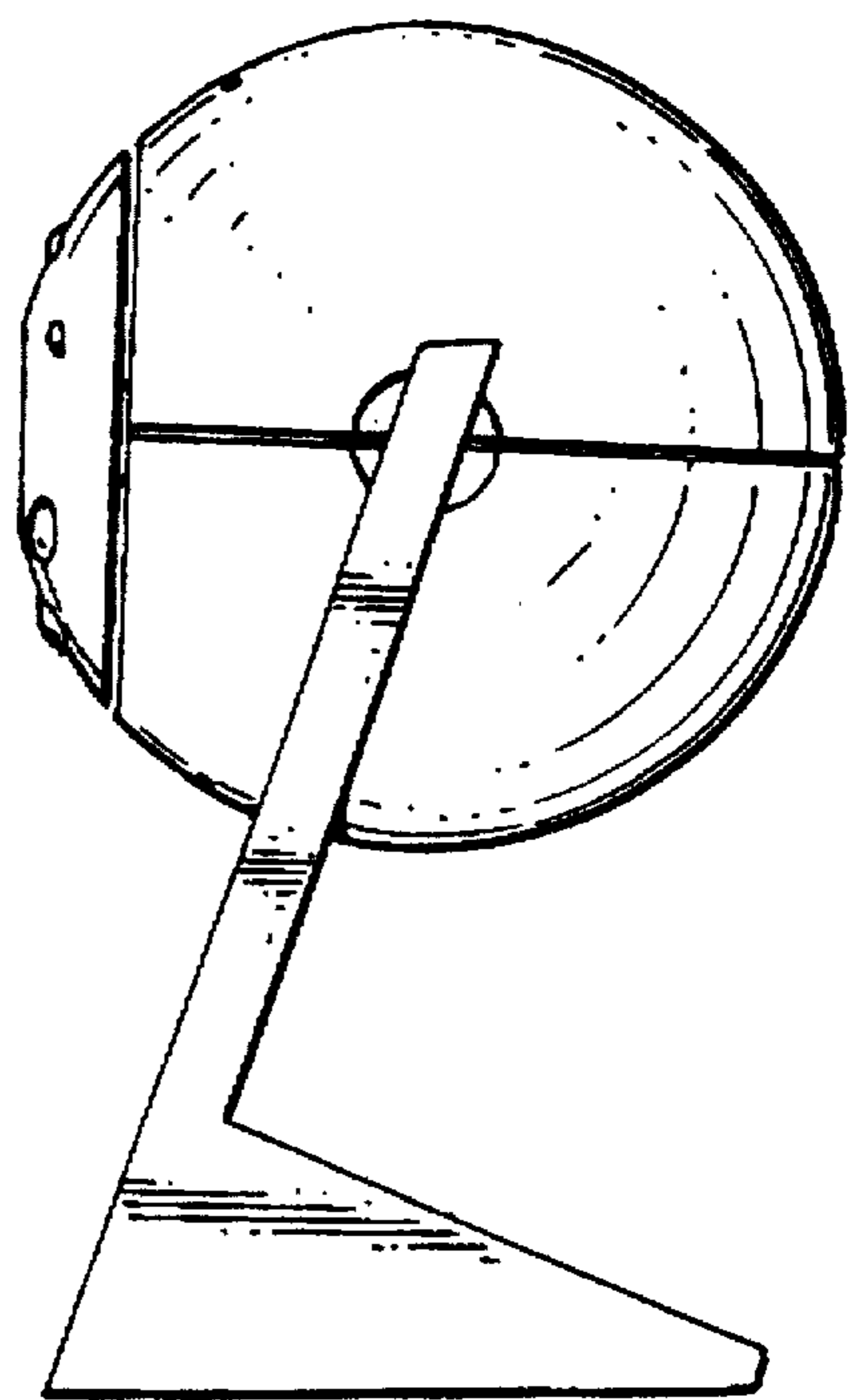


FIG. 5

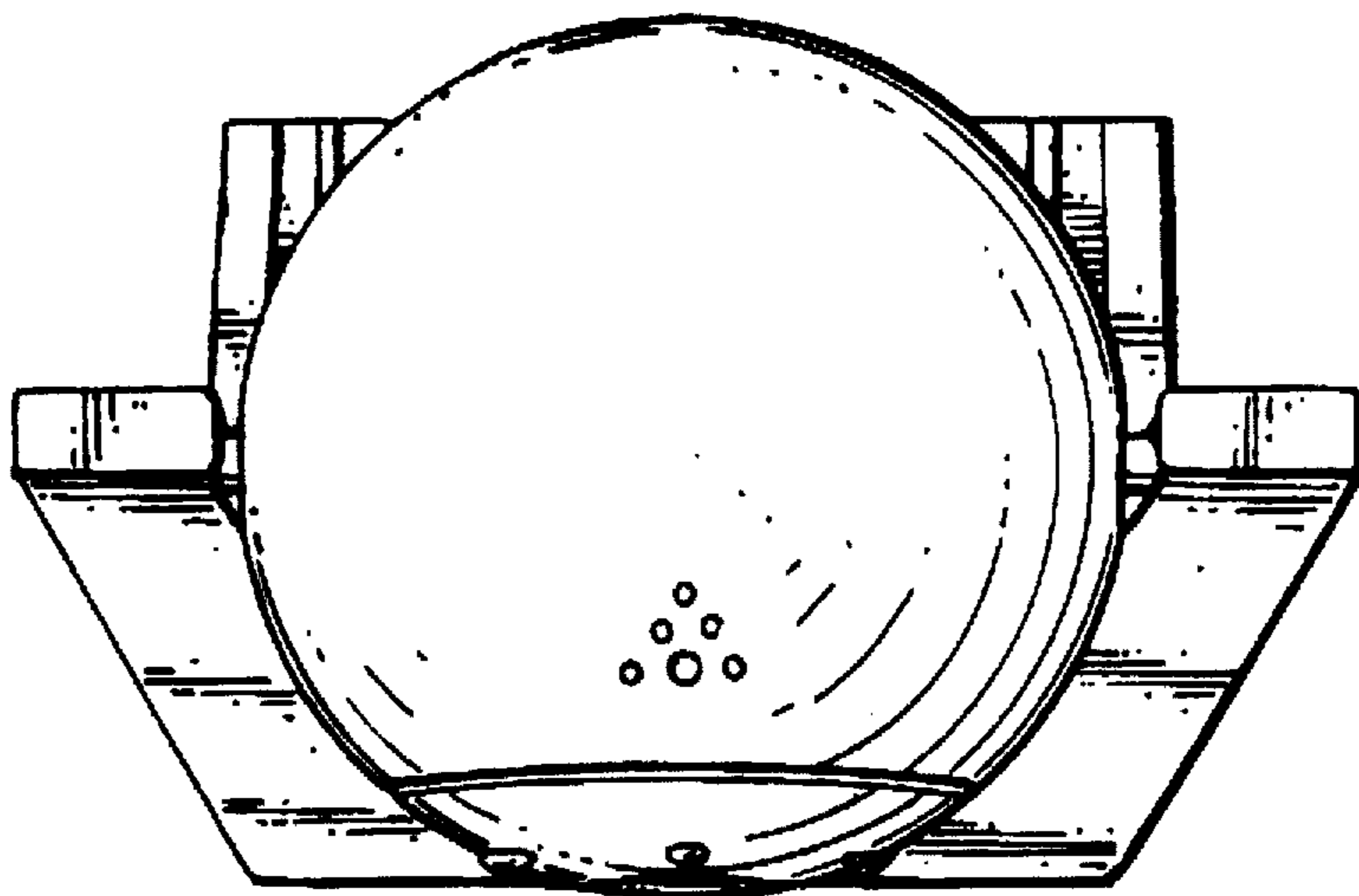


FIG. 6

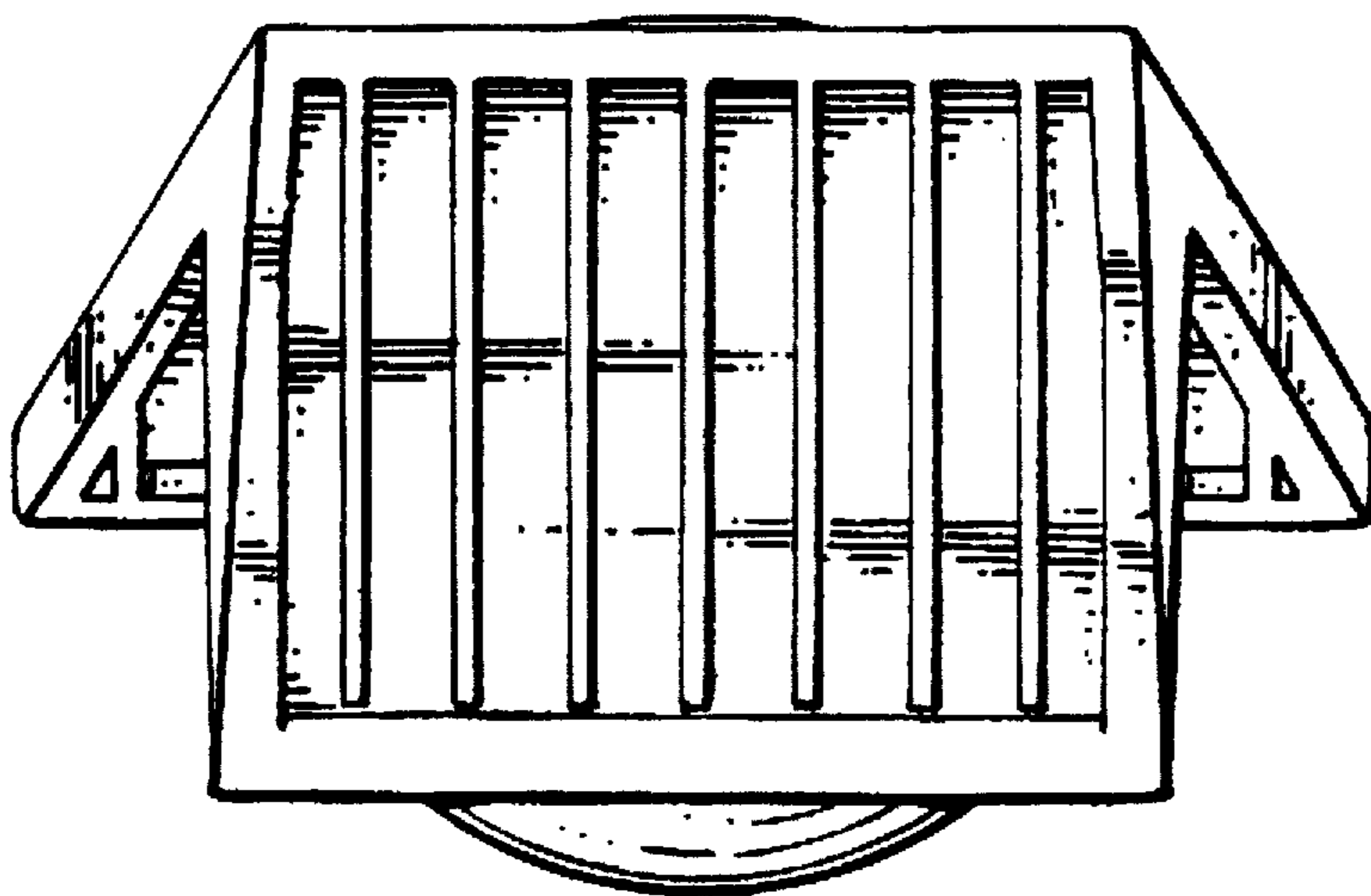


FIG. 7