



US00D392298S

United States Patent [19]

Ohi et al.

[11] Patent Number: **Des. 392,298**

[45] Date of Patent: ****Mar. 17, 1998**

[54] **COMBINED MONITOR, VIDEO TAPE RECORDER AND VIDEO CAMERA**

D. 380,226 6/1997 Ohi et al. D16/202
5,442,453 8/1995 Takagi et al. 348/374

[75] Inventors: **Hiroshi Ohi; Seiji Kurokawa; Katsunori Kume**, all of Tochigi-ken, Japan

Primary Examiner—Philip S. Hyder
Assistant Examiner—Adir Aronovich
Attorney, Agent, or Firm—Nixon & Vanderhye

[73] Assignee: **Sharp Kabushiki Kaisha**, Osaka, Japan

[57] **CLAIM**

[**] Term: **14 Years**

The ornamental design for a “combined monitor, video tape recorder and video camera”, as shown and described.

[21] Appl. No.: **67,525**

DESCRIPTION

[22] Filed: **Mar. 10, 1997**

FIG. 1 is a top, rear and left side perspective view of a combined monitor, video tape recorder and video camera according to our design;

[30] **Foreign Application Priority Data**

Sep. 27, 1996 [JP] Japan 8-29021

FIG. 2 is a top, front and right side perspective view thereof;

[51] **LOC (6) Cl.** **16-01**

[52] **U.S. Cl.** **D16/202**

[58] **Field of Search** D16/200-206,
D16/208; 348/373-376; 396/535-543; 358/906-909.1;
H04N 5/225

FIG. 3 is a top plan view thereof;

FIG. 4 is a rear elevational view thereof;

FIG. 5 is a left side elevational view thereof;

FIG. 6 is a front elevational view thereof;

FIG. 7 is a right side elevational view thereof;

FIG. 8 bottom plan view thereof;

FIG. 9 is a top plan view thereof with the video tape recorder section rotated 180° relative to the video camera section;

FIG. 10 is a rear elevational view thereof;

FIG. 11 is a left side elevational view thereof;

FIG. 12 is a front elevational view thereof;

FIG. 13 is a right side elevational view thereof; and,

FIG. 14 is a bottom plan view thereof.

[56] **References Cited**

U.S. PATENT DOCUMENTS

D. 352,729 11/1994 Tsujimura et al. D16/202
D. 365,116 12/1995 Ohi et al. D16/202
D. 366,269 1/1996 Ohi et al. D16/202
D. 366,492 1/1996 Kume et al. D16/202

1 Claim, 8 Drawing Sheets

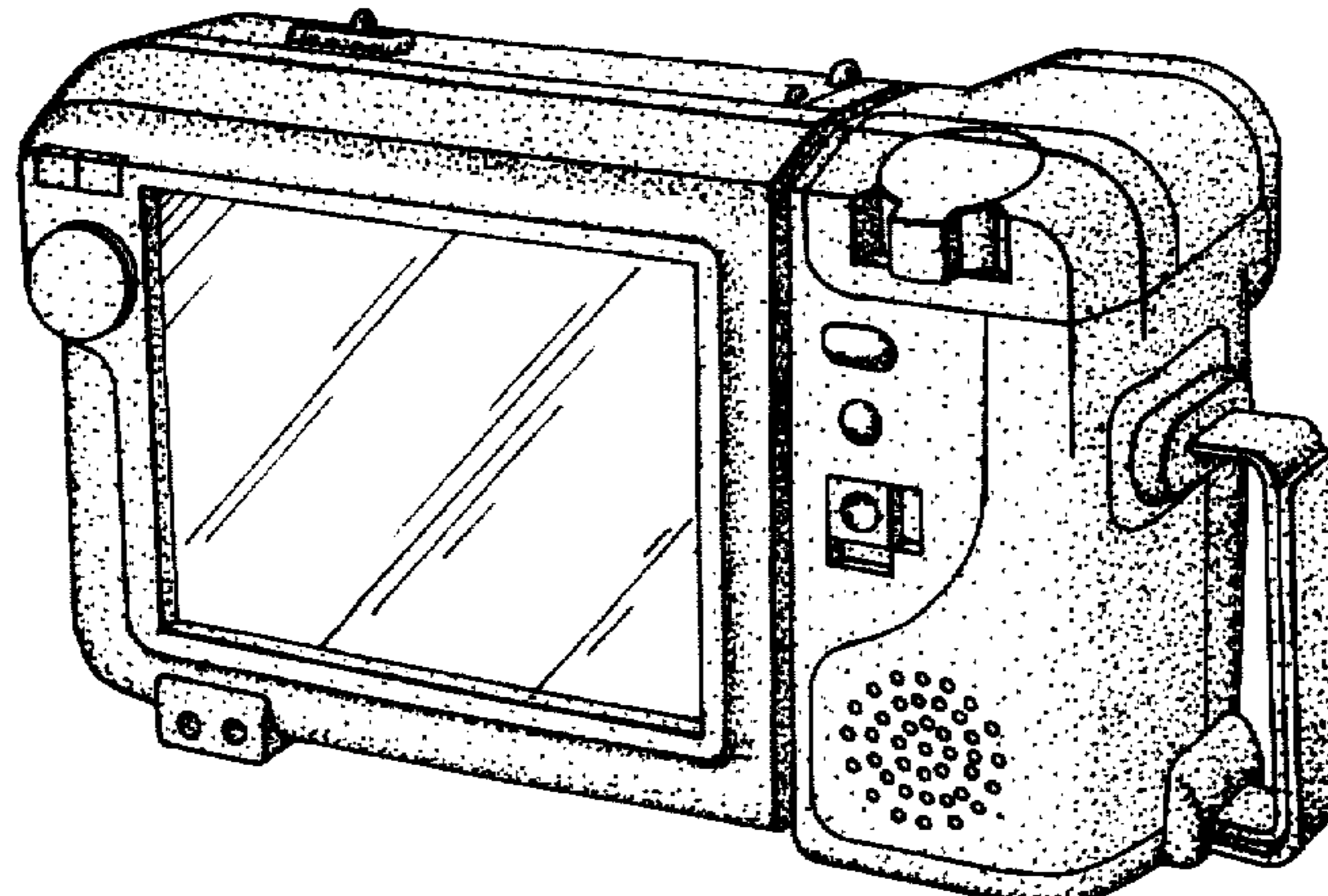
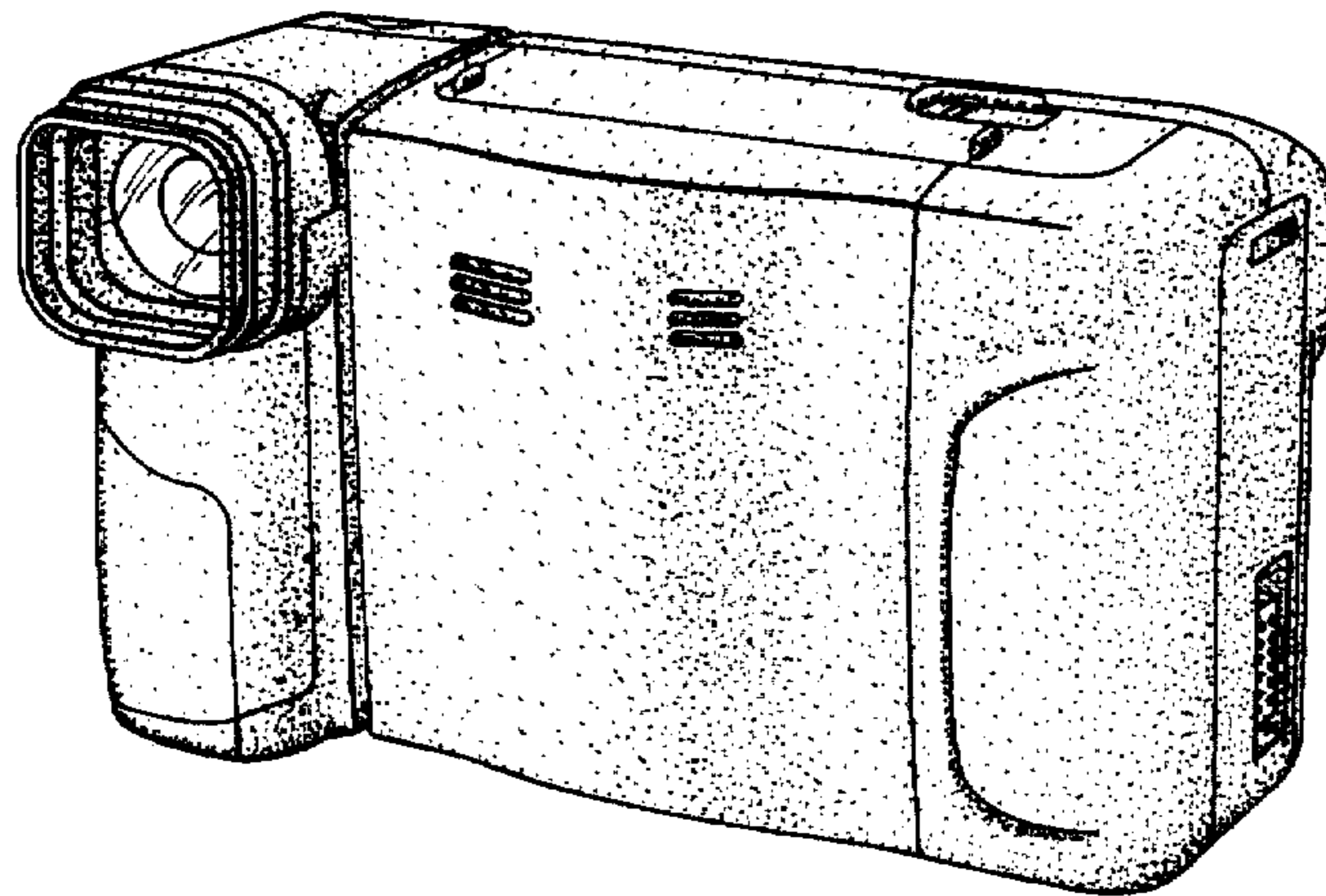


FIG. 1

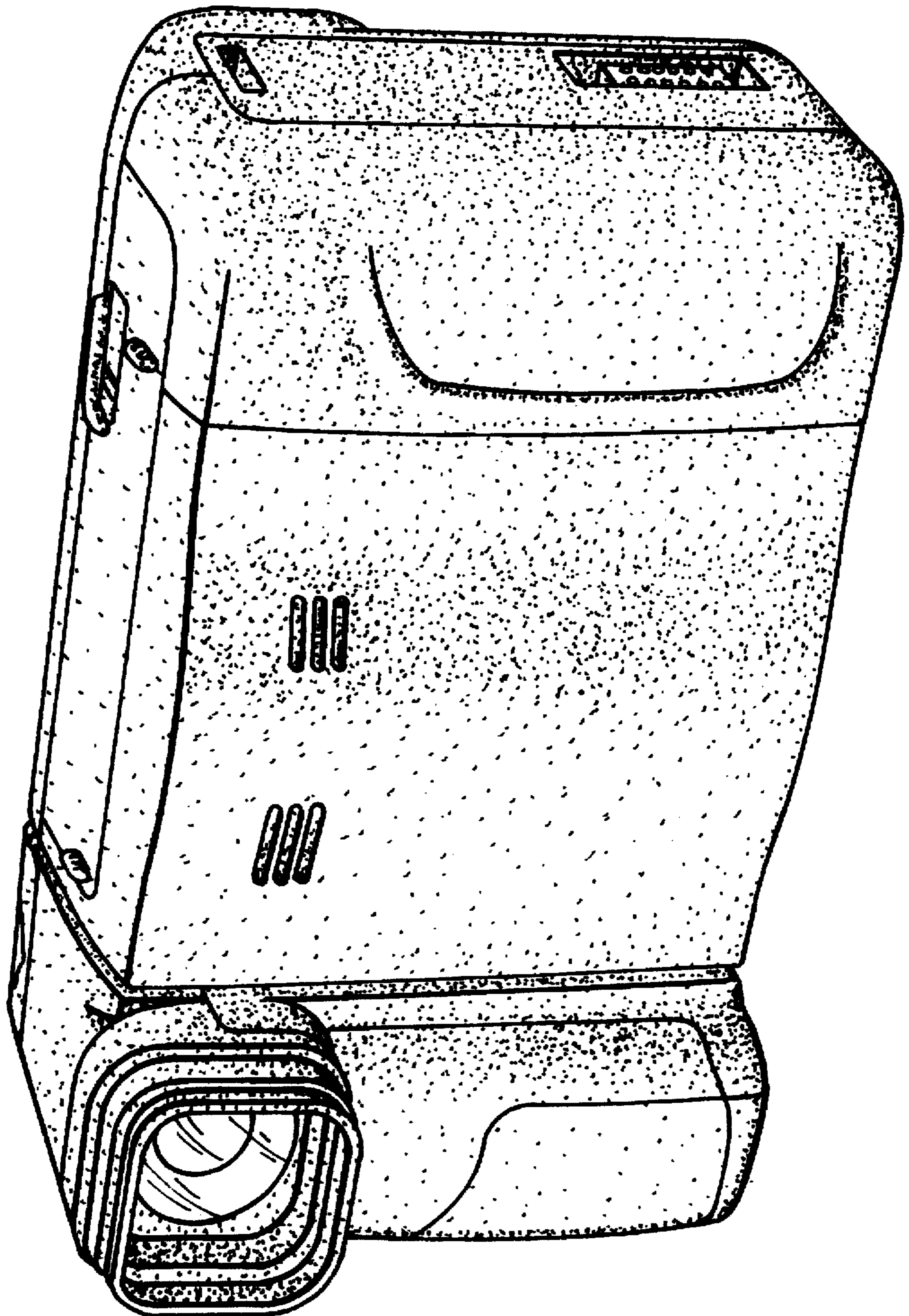


FIG. 2

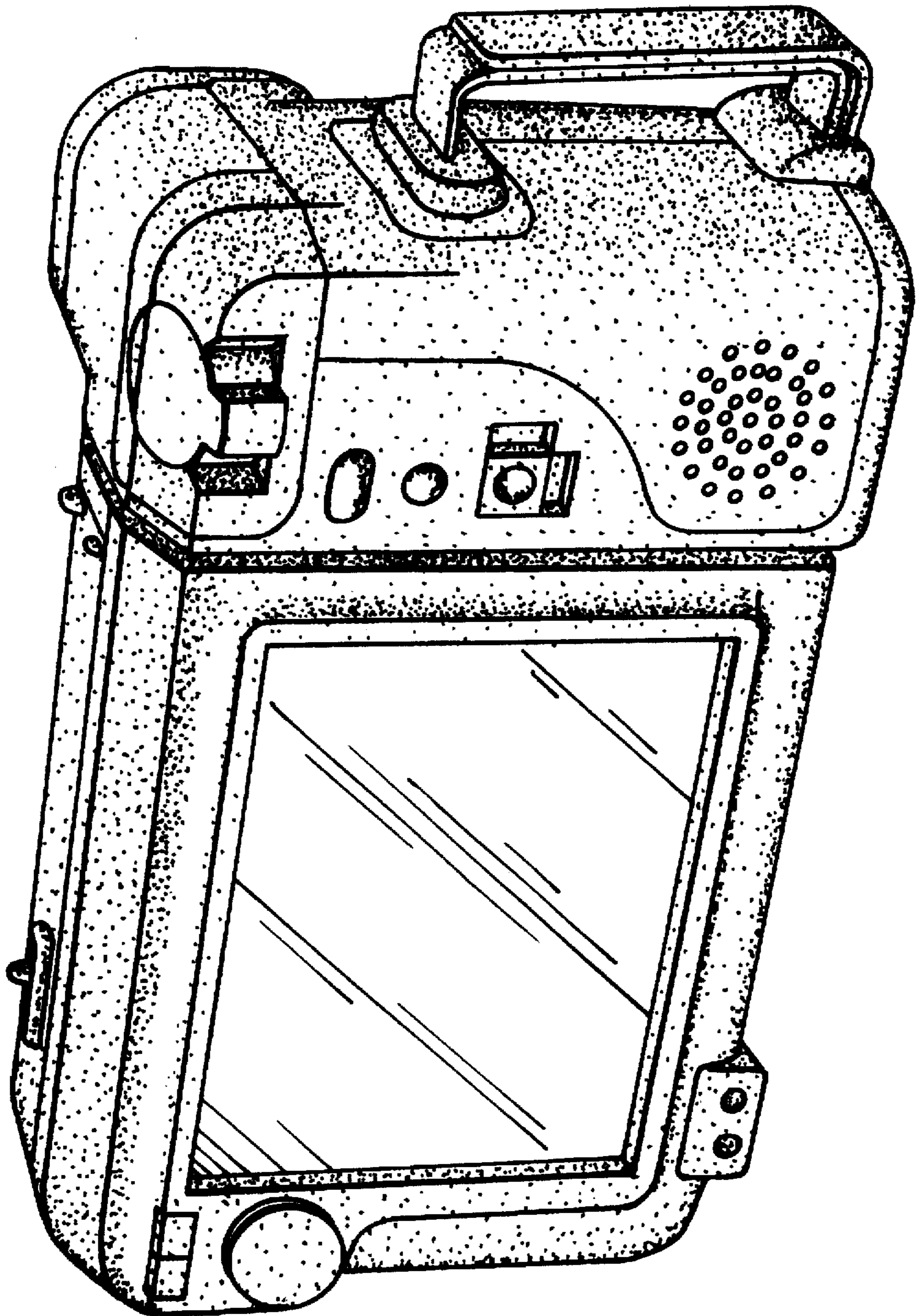


FIG. 3

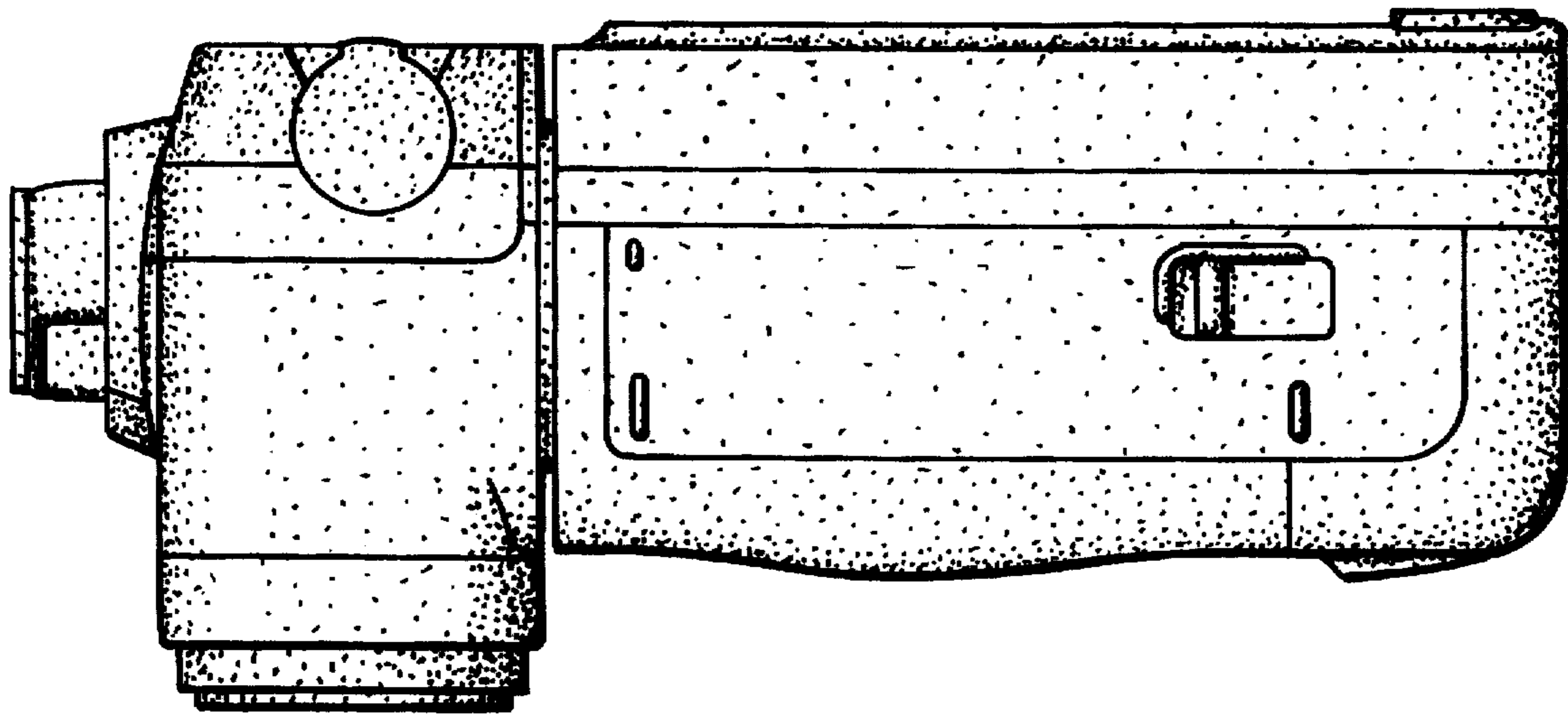
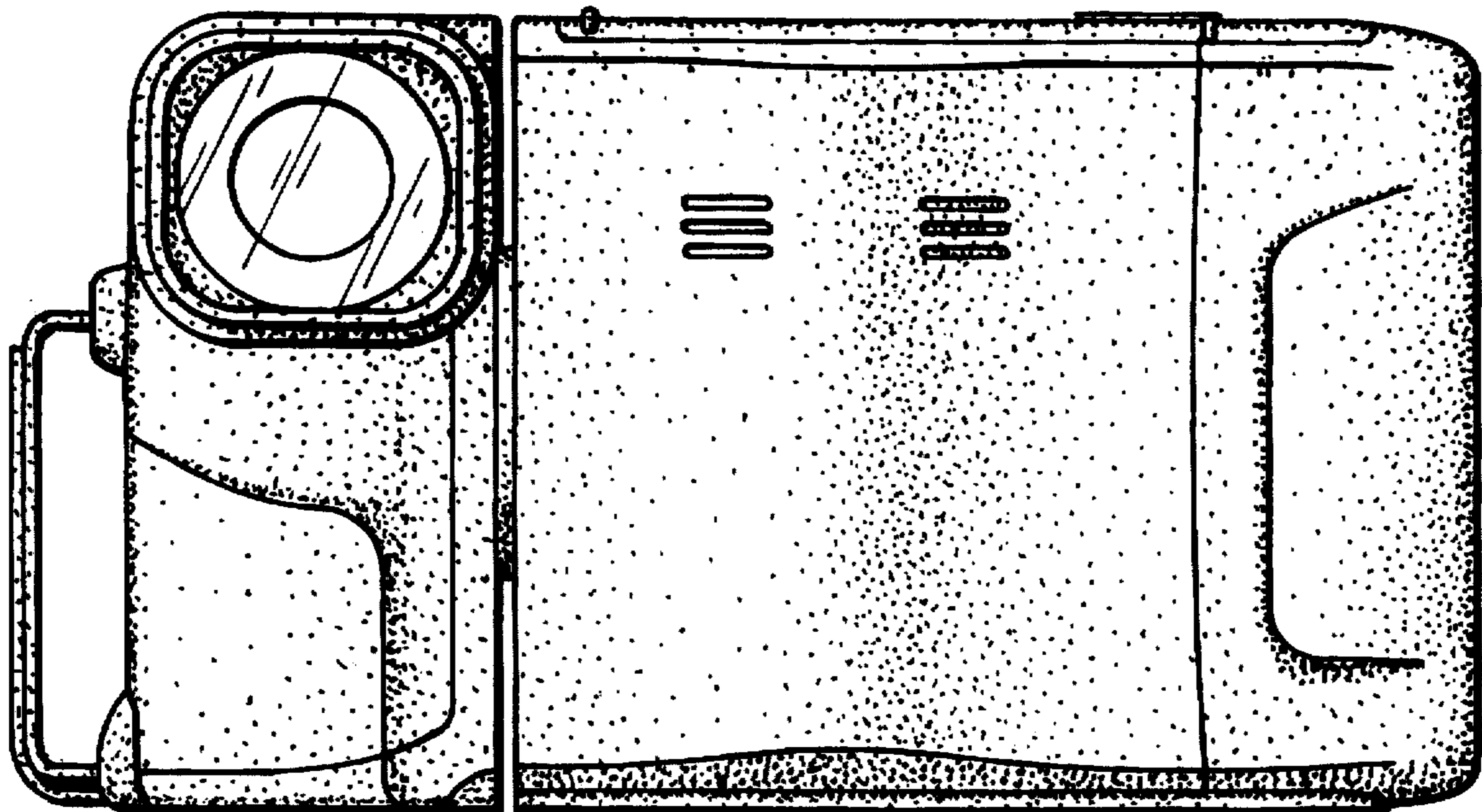


FIG. 4



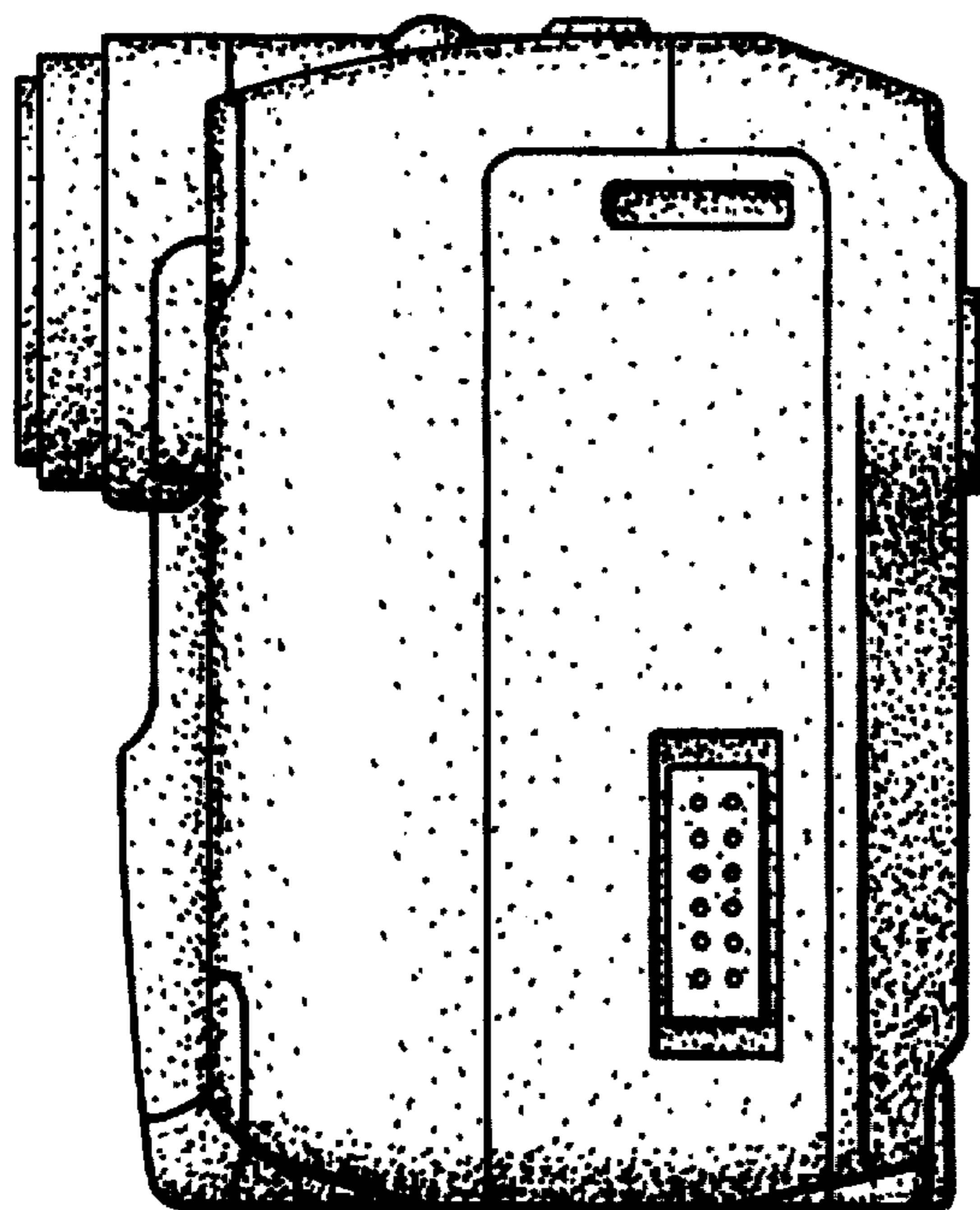
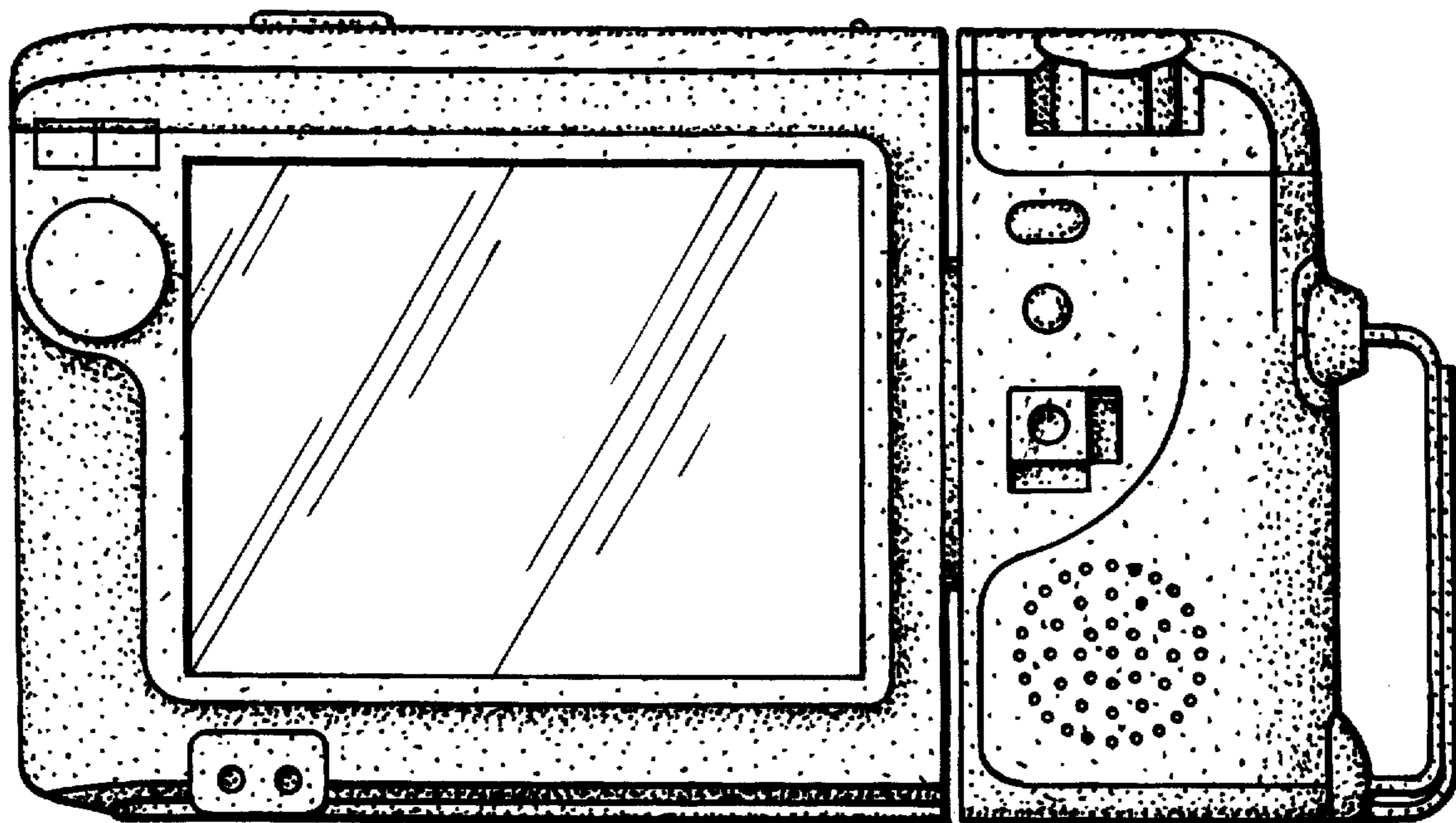


FIG. 5

FIG. 6



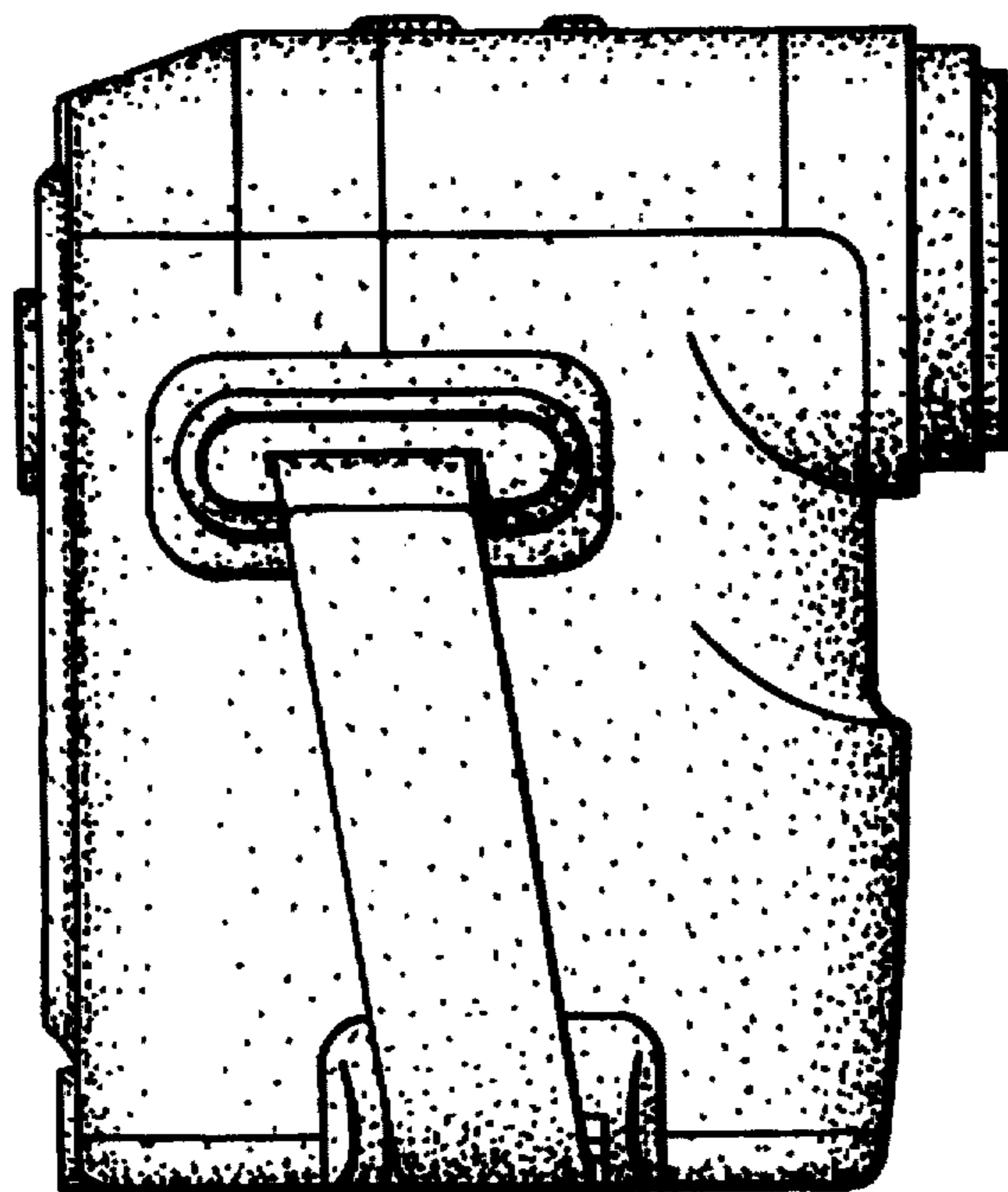


FIG. 7

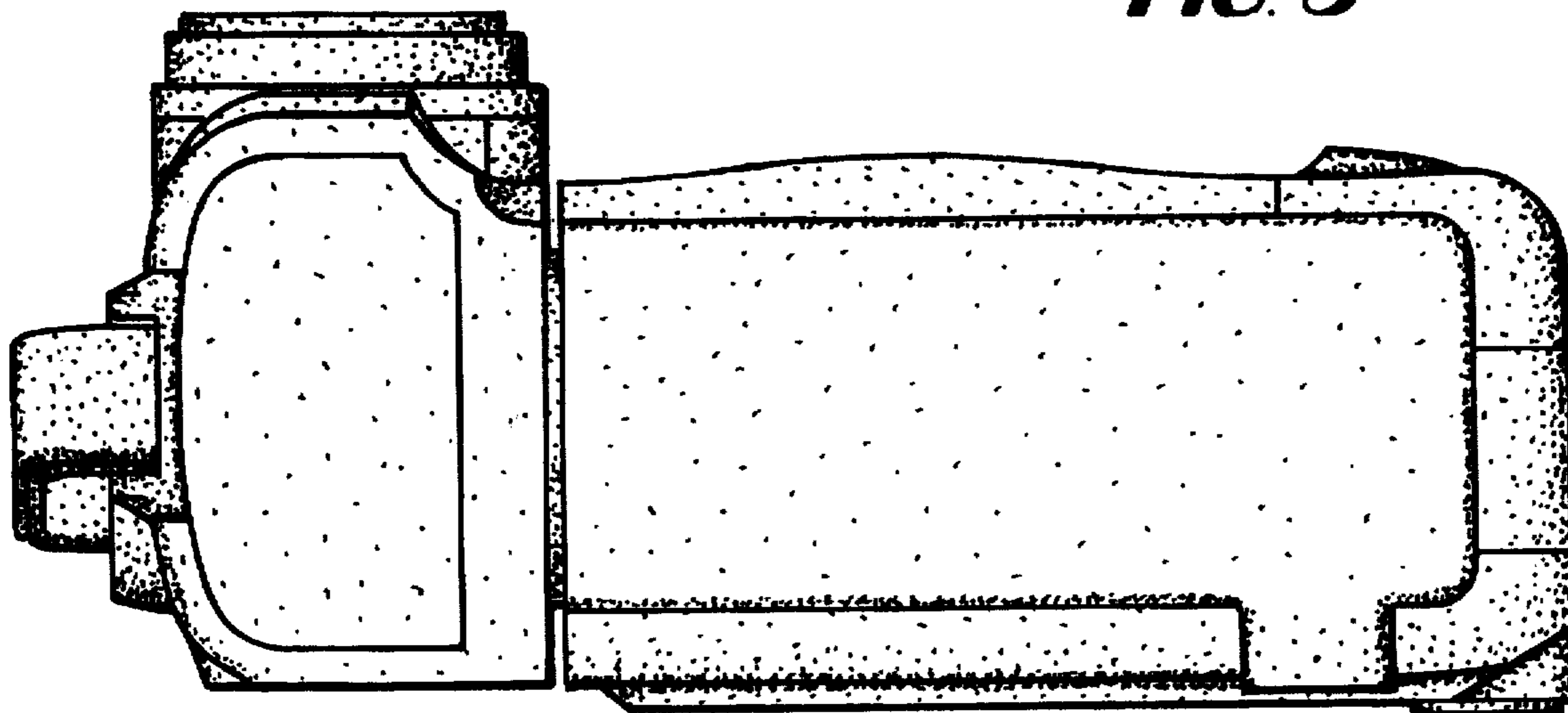


FIG. 8

FIG. 9

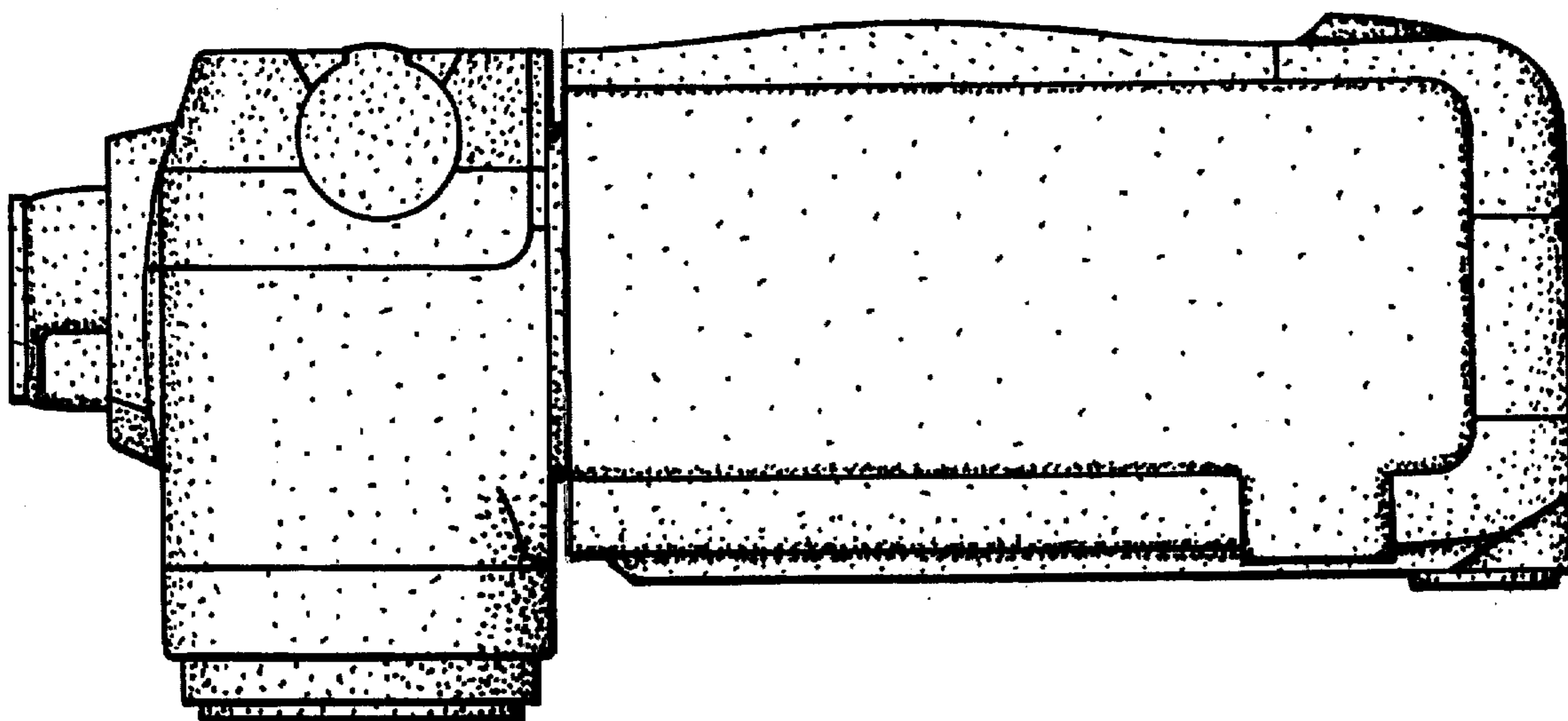
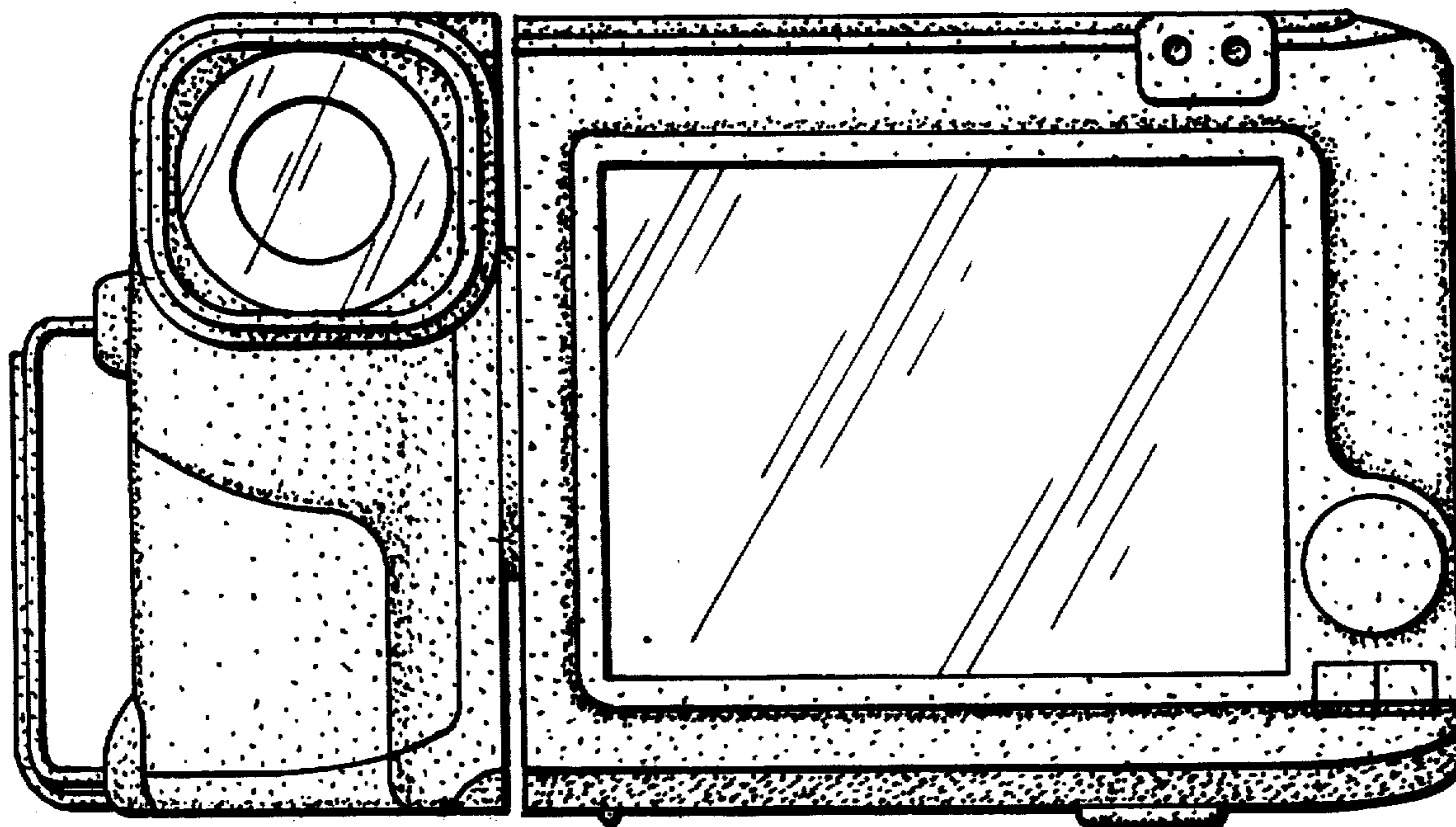


FIG. 10



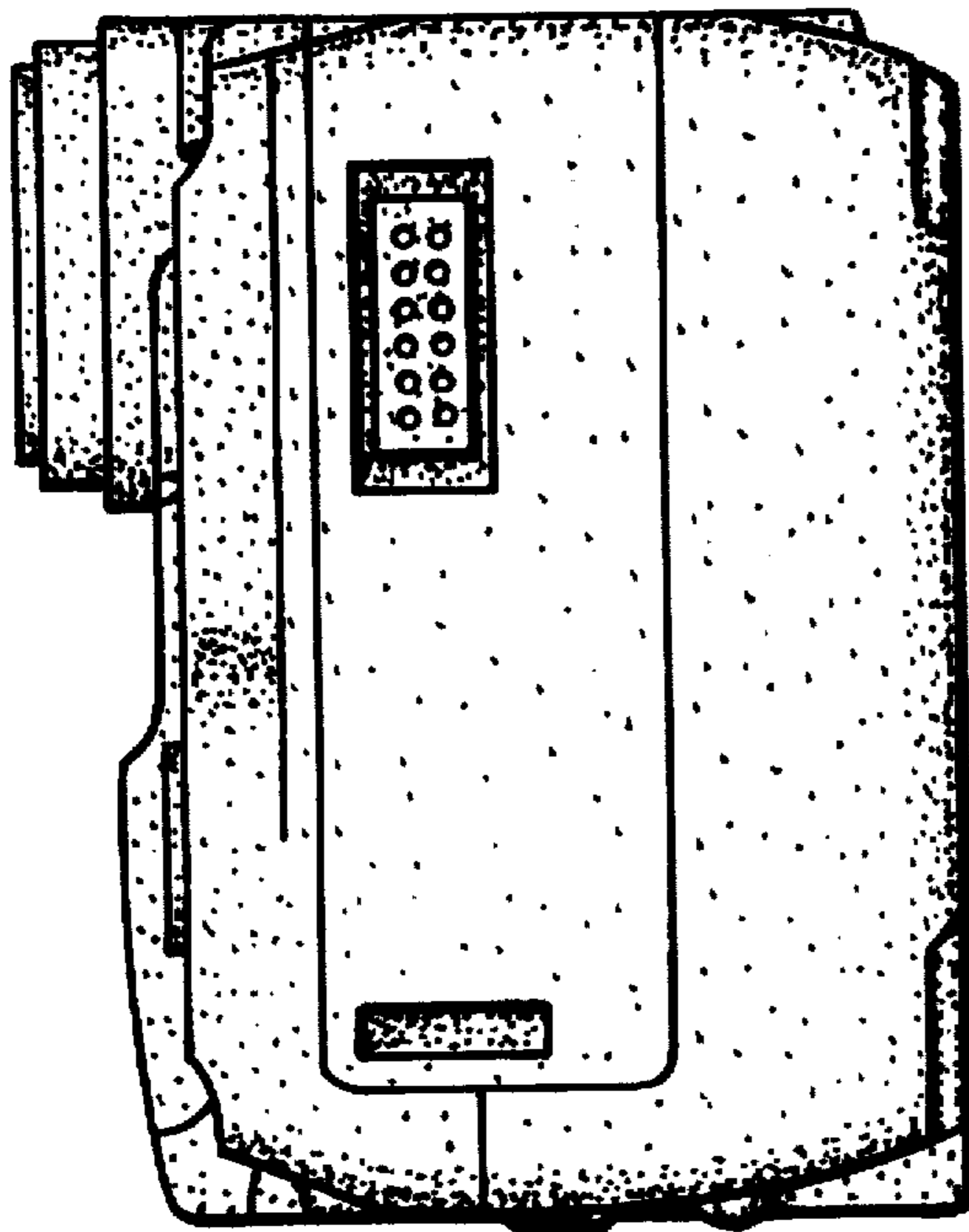
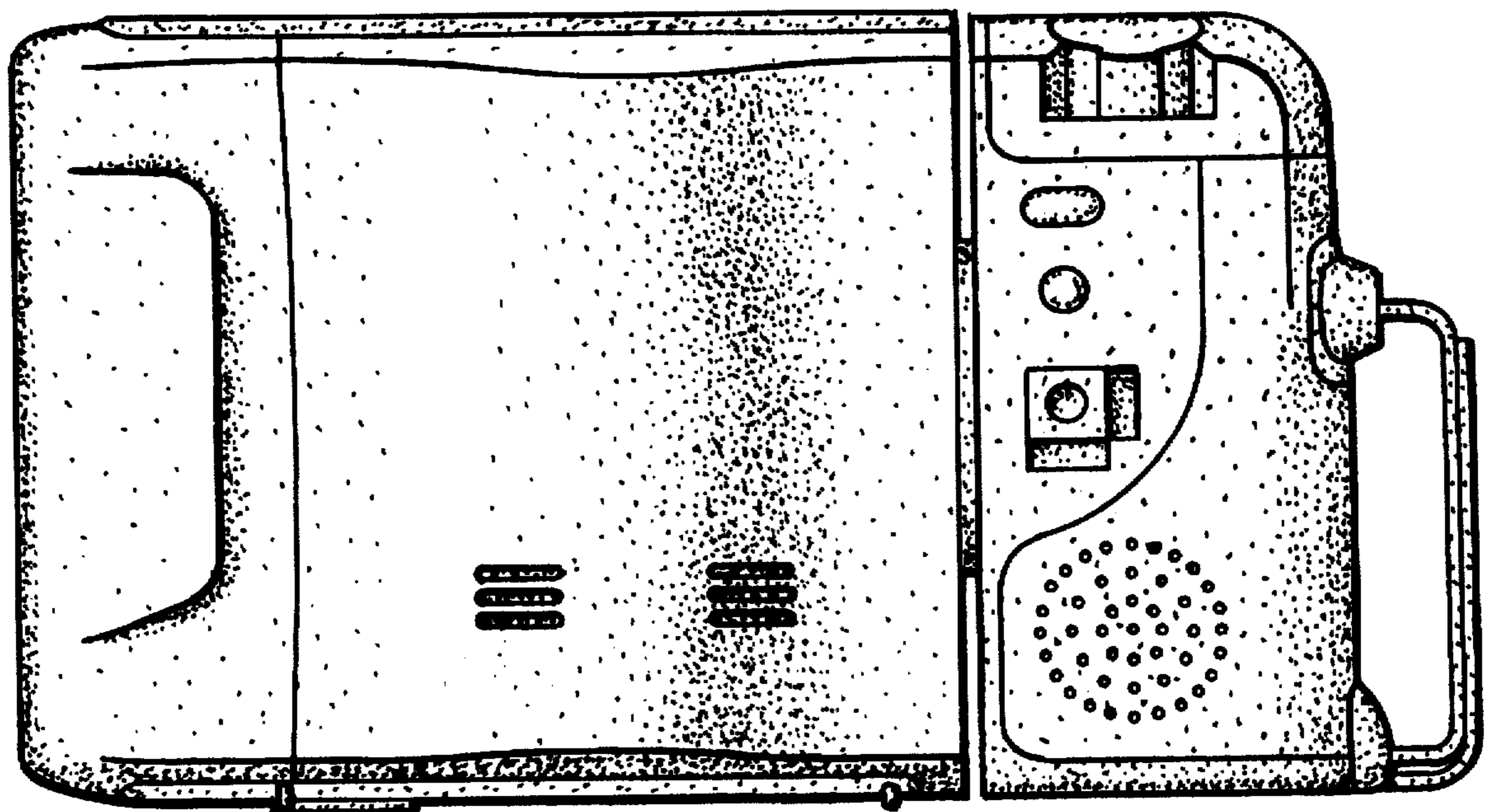


FIG. 11

FIG. 12



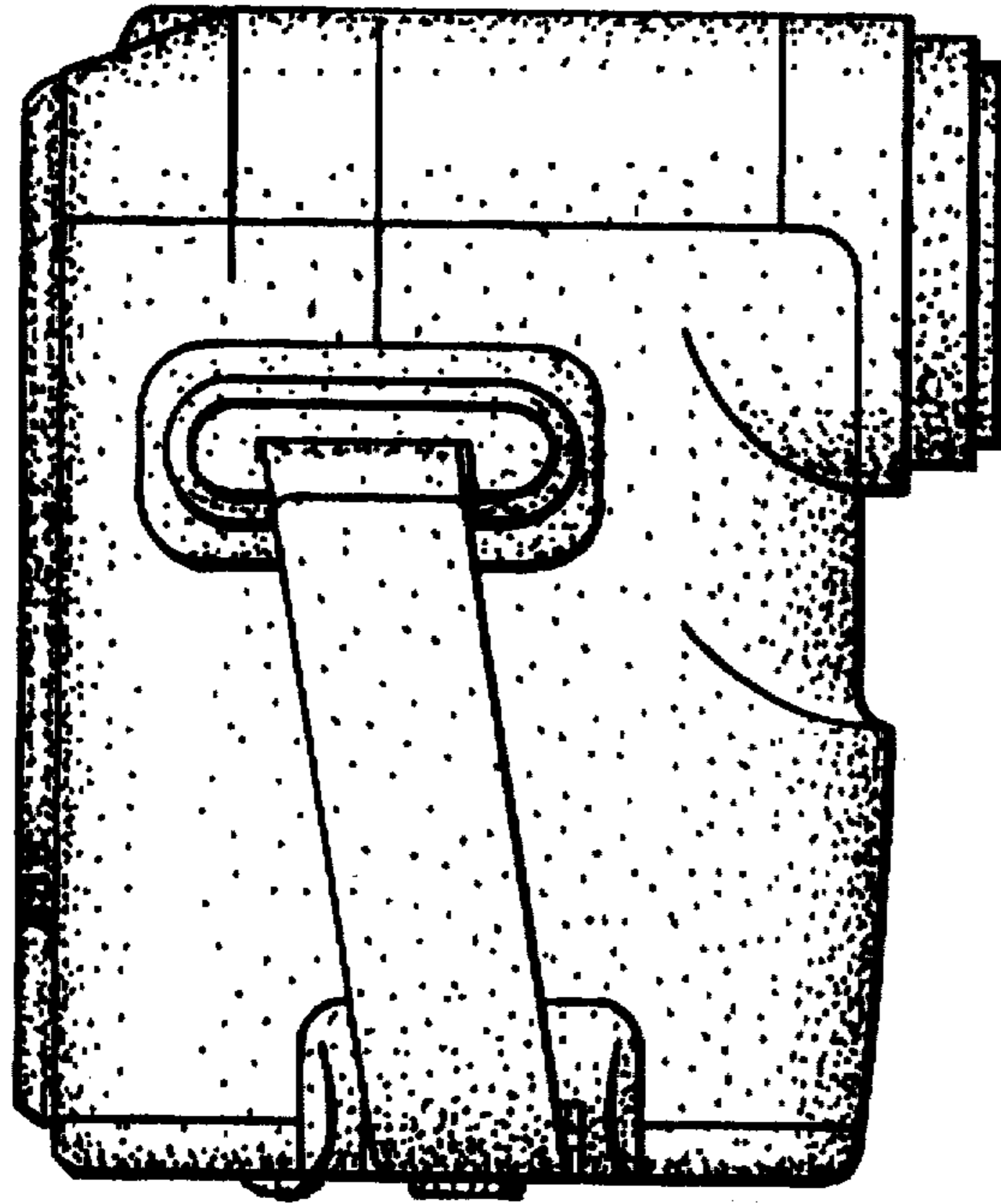


FIG. 13

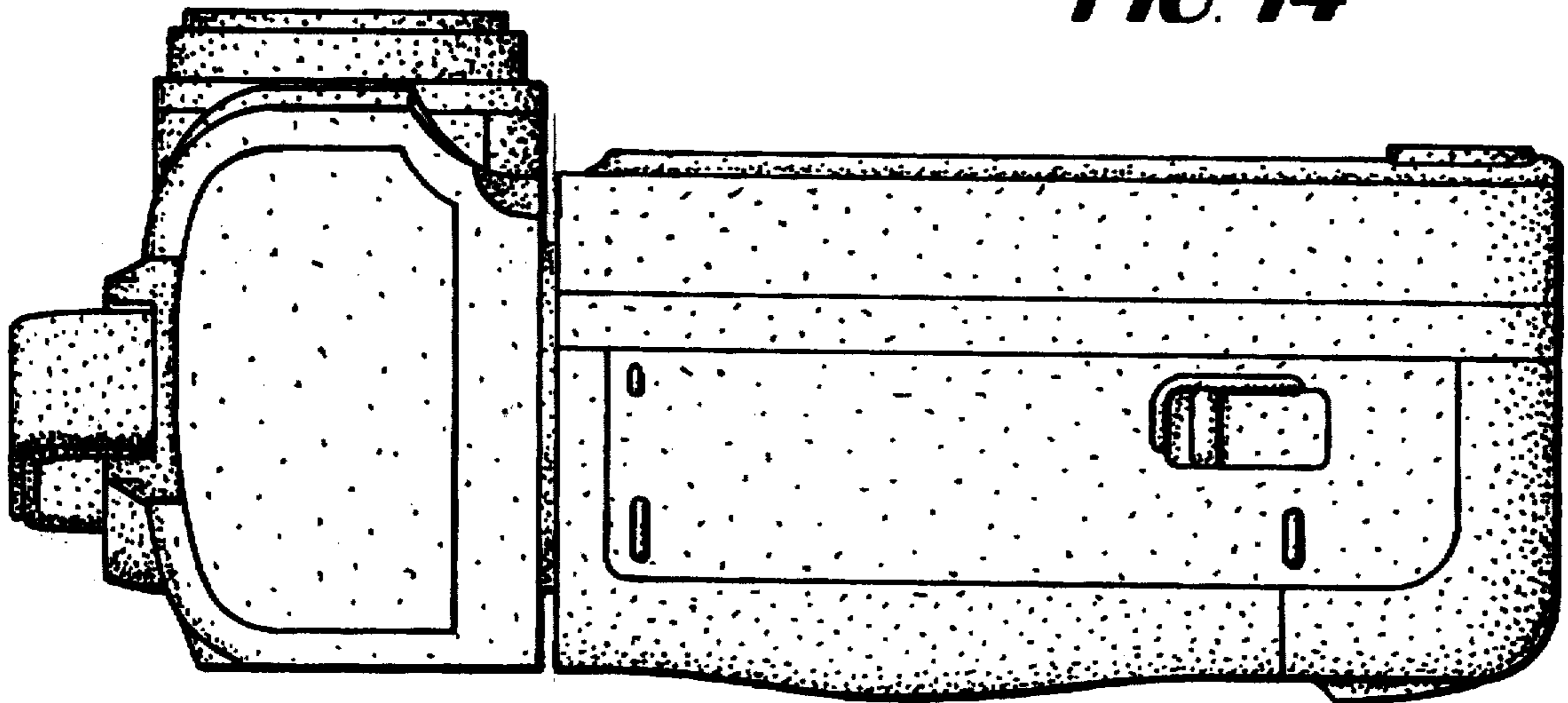


FIG. 14