



US00D392297S

United States Patent [19]
Brutscher

[11] **Patent Number: Des. 392,297**
[45] **Date of Patent: ***Mar. 17, 1998**

[54] **HOLE SAW**

[75] **Inventor: David T. Brutscher, Louisville, Ky.**

[73] **Assignee: Credo Tool Company, Woodburn, Oreg.**

[*] **Notice: The portion of the term of this patent subsequent to Mar. 10, 2012, has been disclaimed.**

[**] **Term: 14 Years**

[21] **Appl. No.: 58,212**

[22] **Filed: Aug. 9, 1996**

[51] **LOC (6) Cl. 15-09**

[52] **U.S. Cl. D15/139**

[58] **Field of Search D8/70; D15/138, D15/139; 408/200-225**

[56] **References Cited**

U.S. PATENT DOCUMENTS

3,374,696	3/1968	Treuathan	408/204
5,435,672	7/1995	Hall et al.	408/68
5,597,274	1/1997	Behner	408/204

Primary Examiner—Antoine Duval Davis
Attorney, Agent, or Firm—McDermott, Will & Emery

[57] **CLAIM**

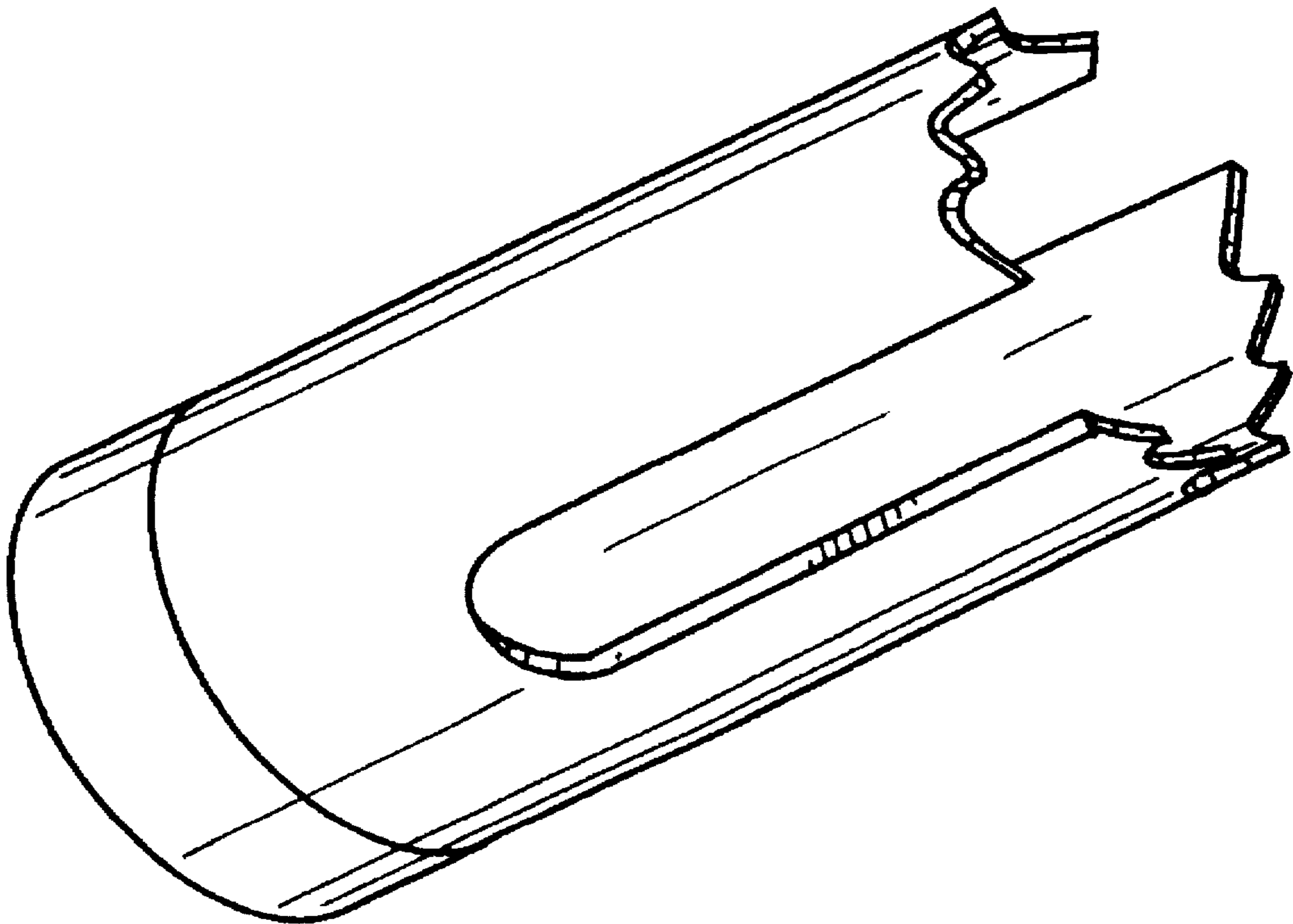
The ornamental design for a hole saw, as shown and described.

DESCRIPTION

FIG. 1 shows a perspective view of the hole saw of the present design;
 FIG. 2 shows a right side view of the hole saw of the present design, the left side view diametrically opposite the right side view of FIG. 2 being a mirror image;
 FIG. 3 shows a top view of the hole saw of the present design;
 FIG. 4 shows a bottom view of the hole saw of the present design;
 FIG. 5 shows a perspective view of another embodiment of the hole saw of the present design;
 FIG. 6 shows a right side view of the hole saw of the design of FIG. 5, the left side view diametrically opposite the right side view of FIG. 5 being a mirror image;
 FIG. 7 shows a top view of the hole saw of the design of FIG. 5; and
 FIG. 8 shows a bottom view of the hole saw of the design of FIG. 5.

The broken lines disclosure illustrated in the drawings are for illustration purposes only and form no part of the claimed design.

1 Claim, 2 Drawing Sheets



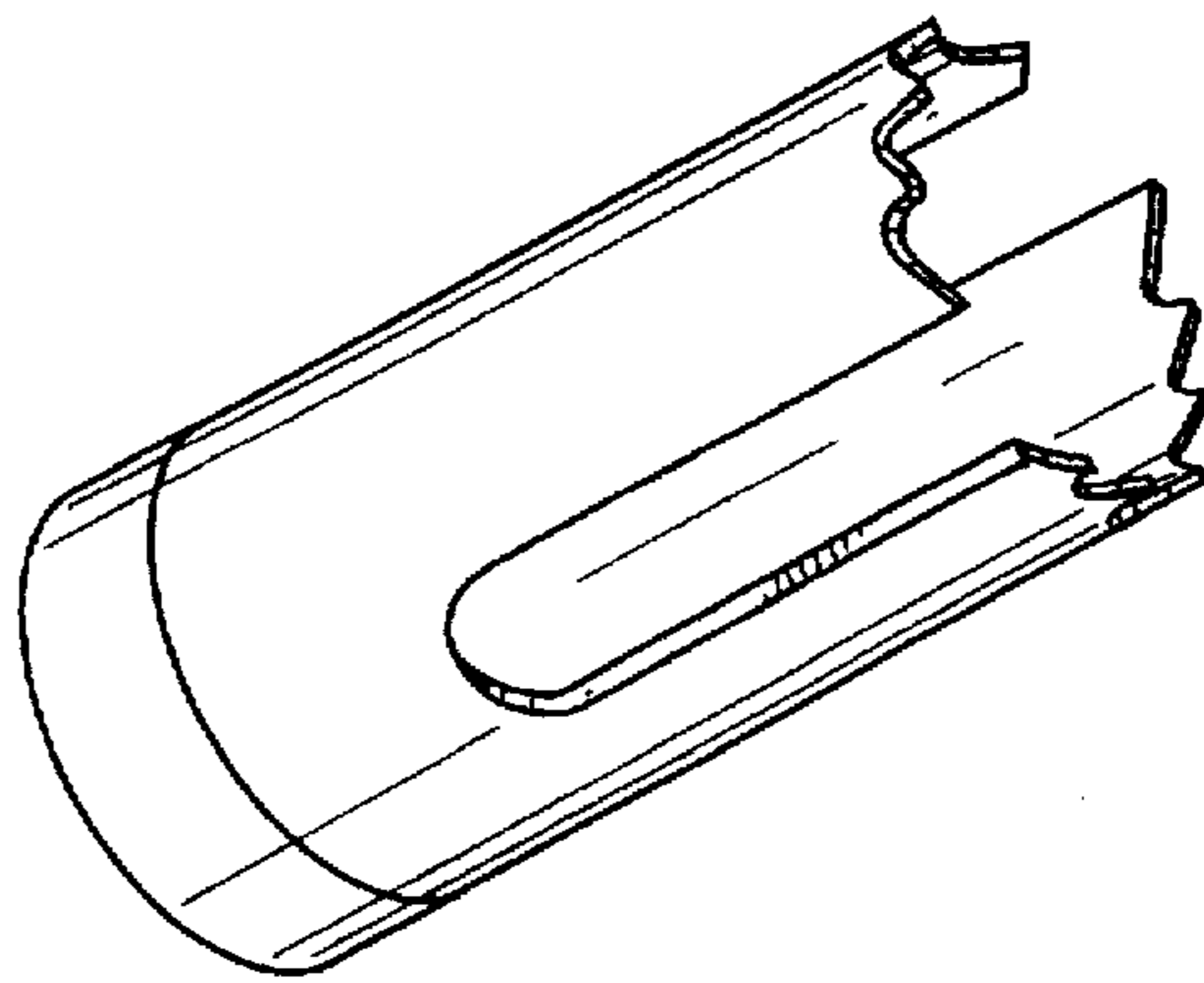


FIG. 1

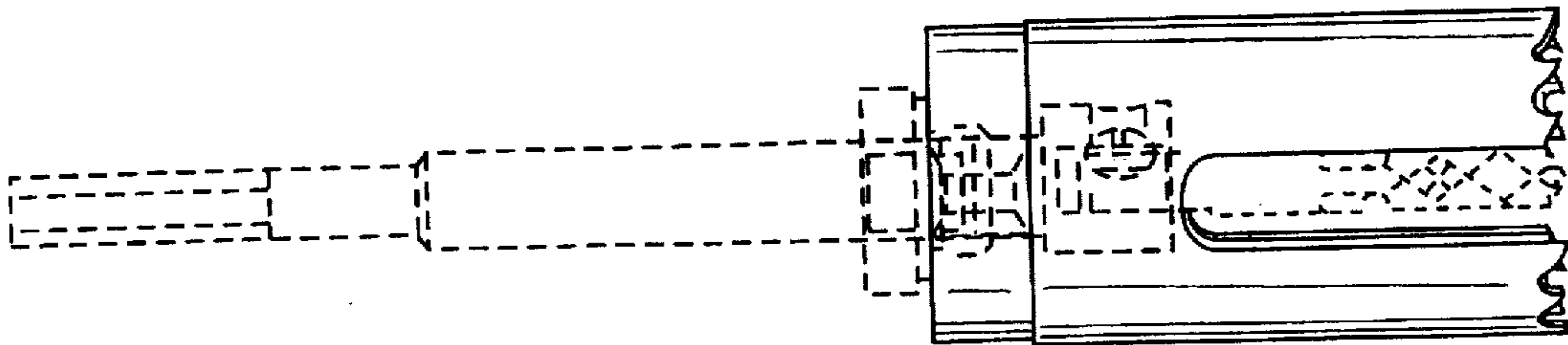


FIG. 2

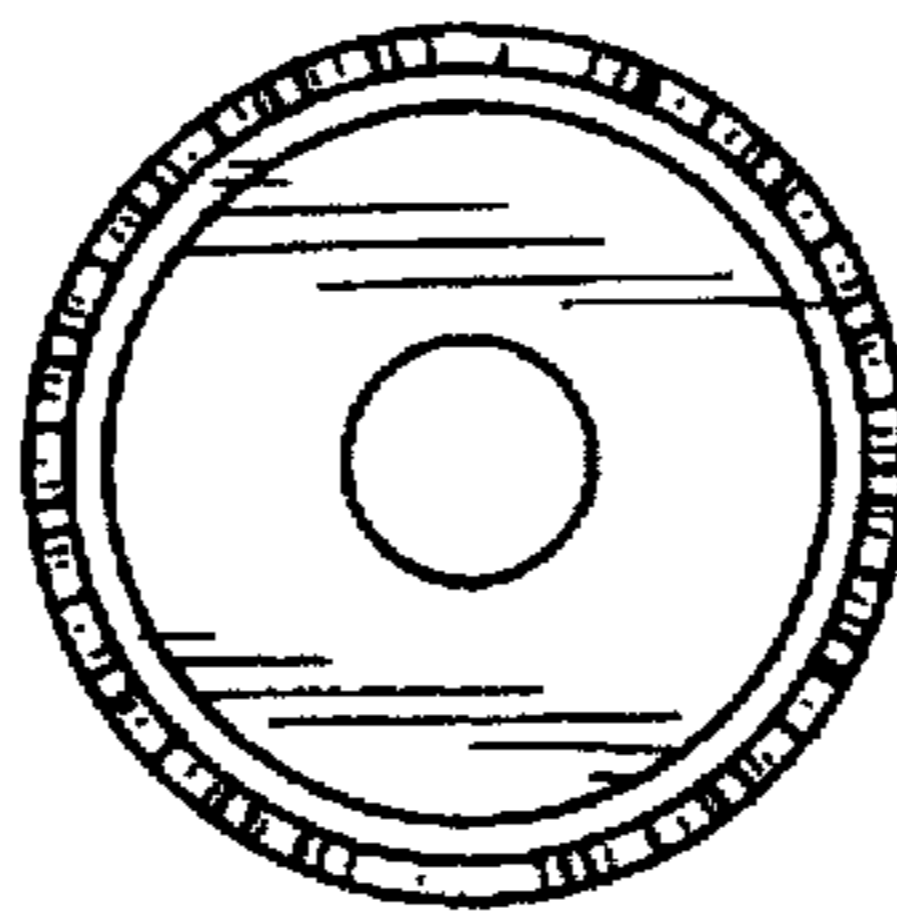


FIG. 3

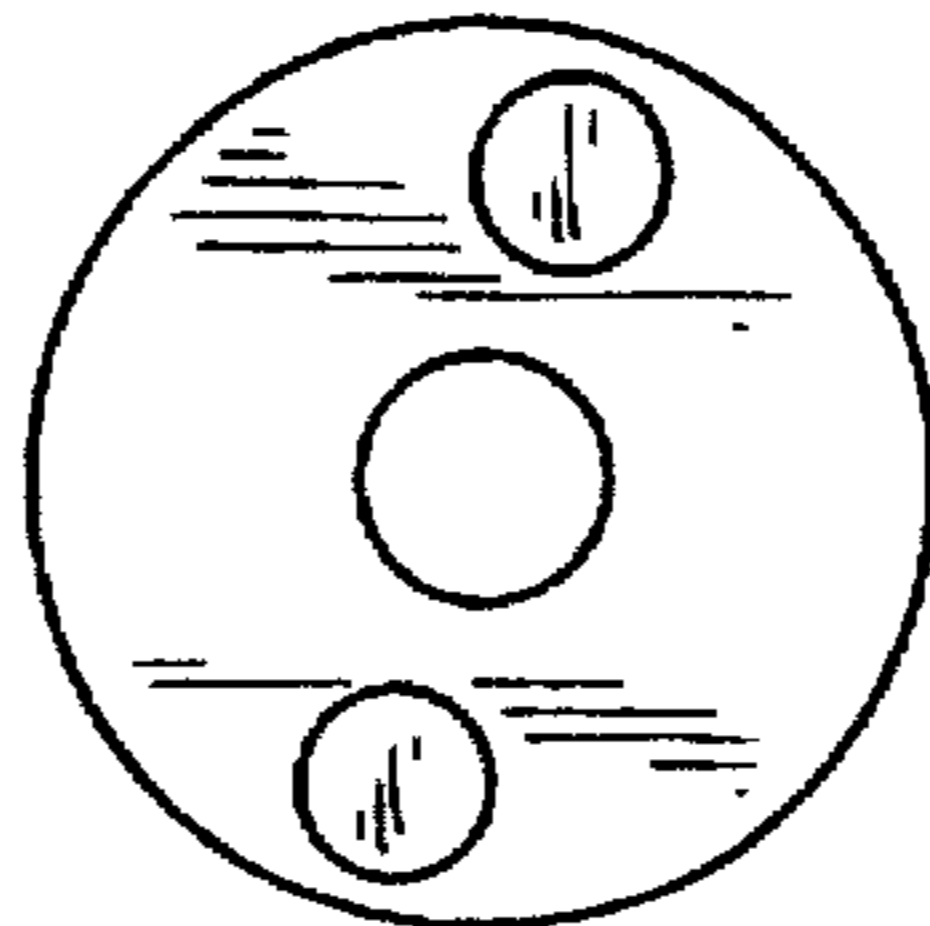


FIG. 4

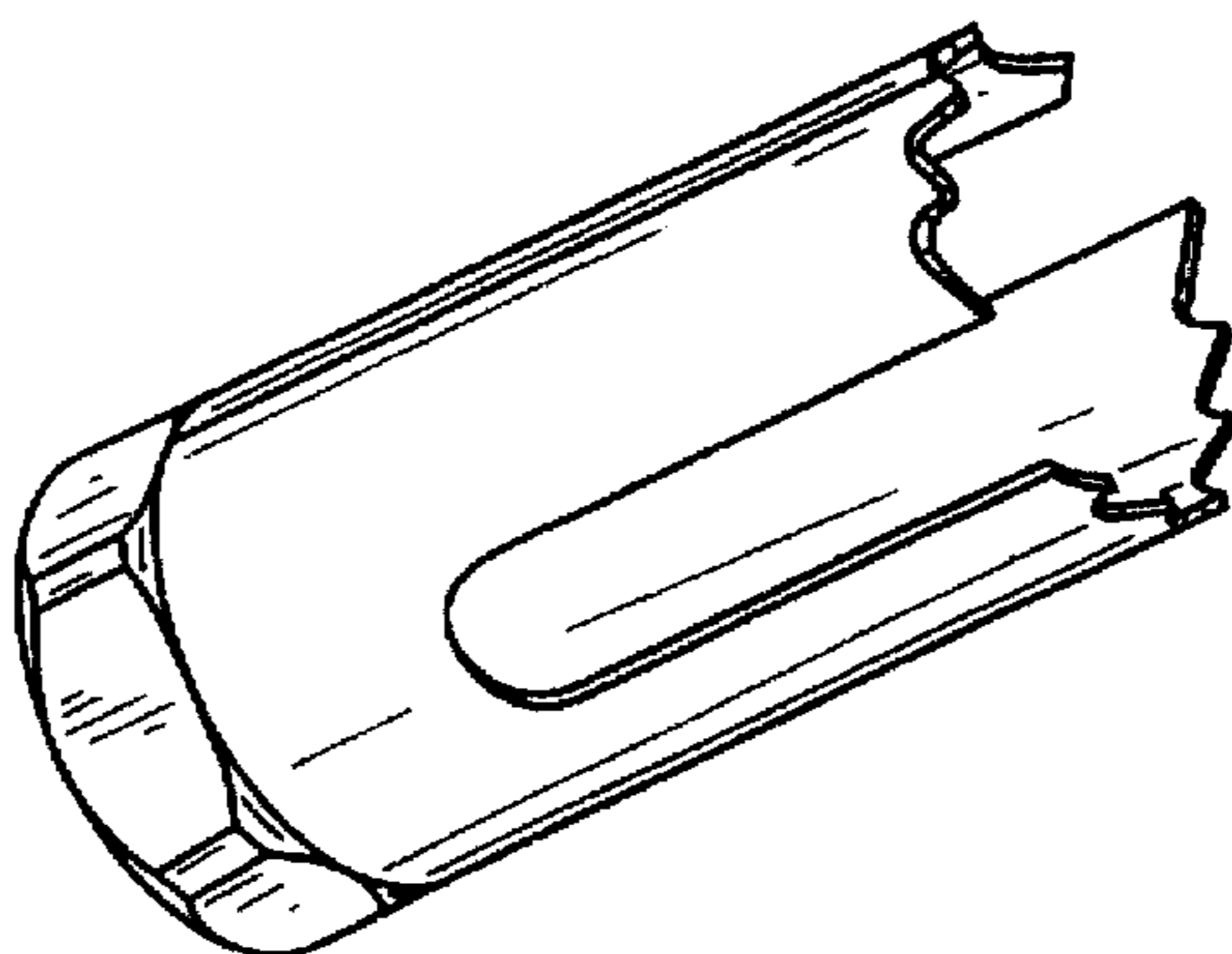


FIG. 5

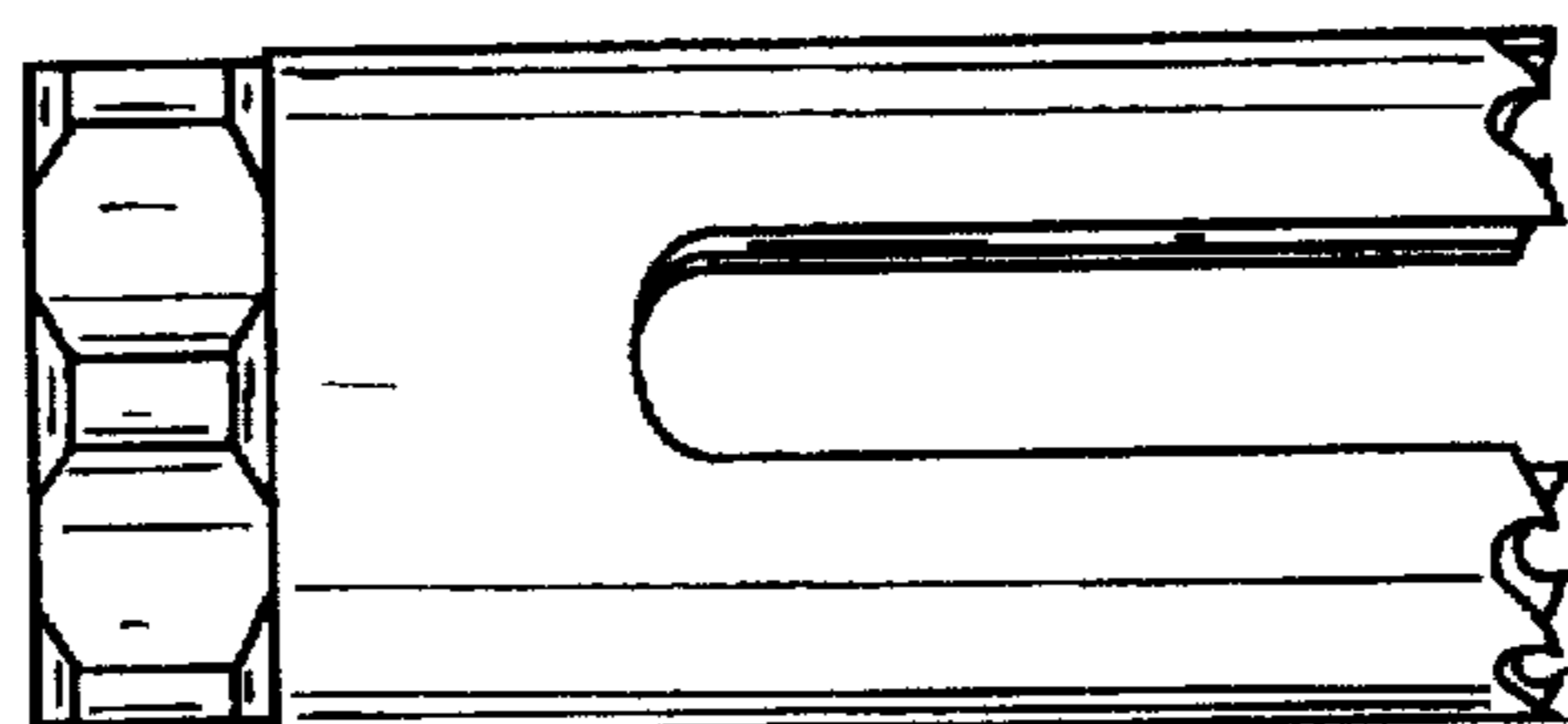


FIG. 6

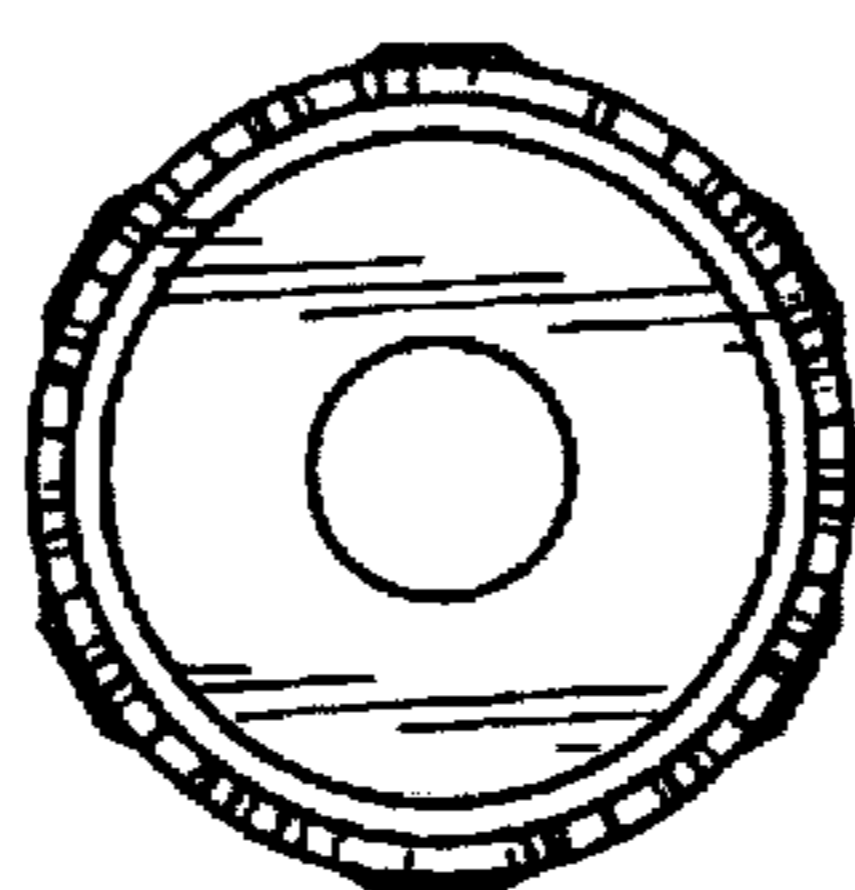


FIG. 7

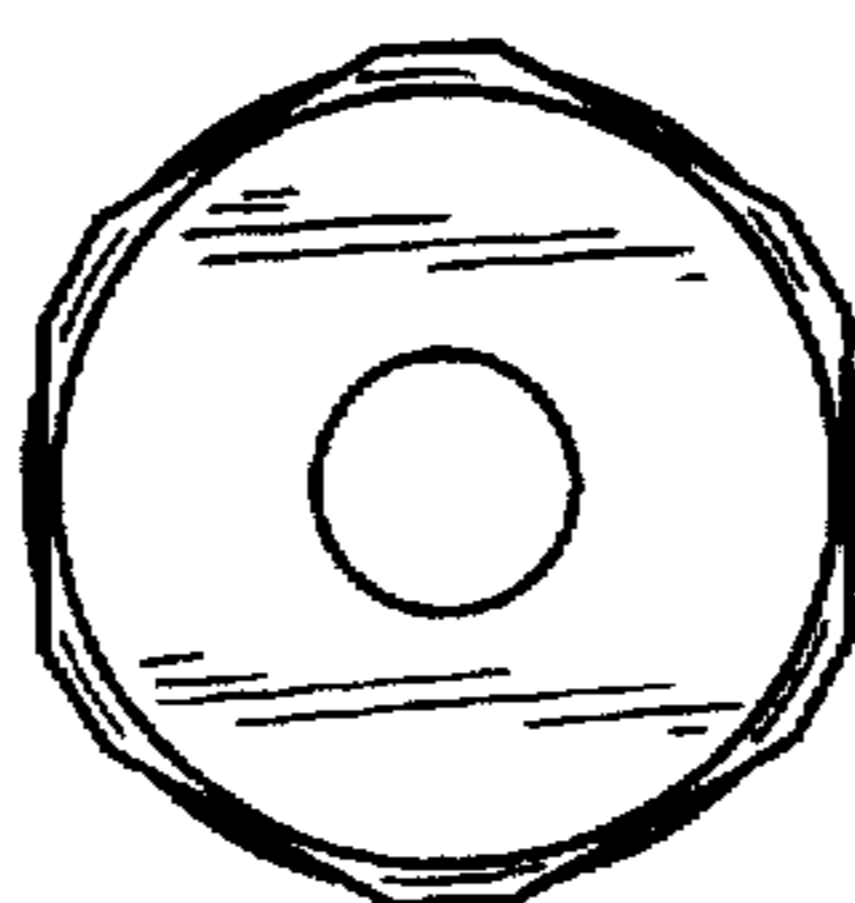


FIG. 8