



US00D392296S

**United States Patent** [19]  
**Fredriksson**

[11] **Patent Number: Des. 392,296**  
[45] **Date of Patent: \*\*Mar. 17, 1998**

[54] **DISC SCREEN ROTOR INCLUDING SHAFT AND DISCS**

3,552,461 1/1971 Paoli ..... 241/68  
3,726,208 4/1973 Brengman et al. .... 241/24.26  
4,953,794 9/1990 Paoli ..... 241/24.16  
5,560,552 10/1996 Powell et al. .... 241/292.1 X

[75] **Inventor: Gustav Fredriksson, Sundsvall, Sweden**

*Primary Examiner*—Antoine Duval Davis  
*Attorney, Agent, or Firm*—Young & Thompson

[73] **Assignee: Rotom Verkstäder AB, Sundsvall, Sweden**

[57] **CLAIM**

[\*\*] **Term: 14 Years**

The ornamental design for a disc screen rotor including shaft and discs, as shown and described.

[21] **Appl. No.: 51,453**

**DESCRIPTION**

[22] **Filed: Mar. 5, 1996**

[30] **Foreign Application Priority Data**

Sep. 6, 1995 [SE] Sweden ..... 95-1683

[51] **LOC (6) Cl. .... 15-09**

[52] **U.S. Cl. .... D15/123**

[58] **Field of Search** ..... D15/122, 123;  
210/24.26; 241/46.15, 68, 70-72, 273.3,  
292.1, 293, 24.16, 86

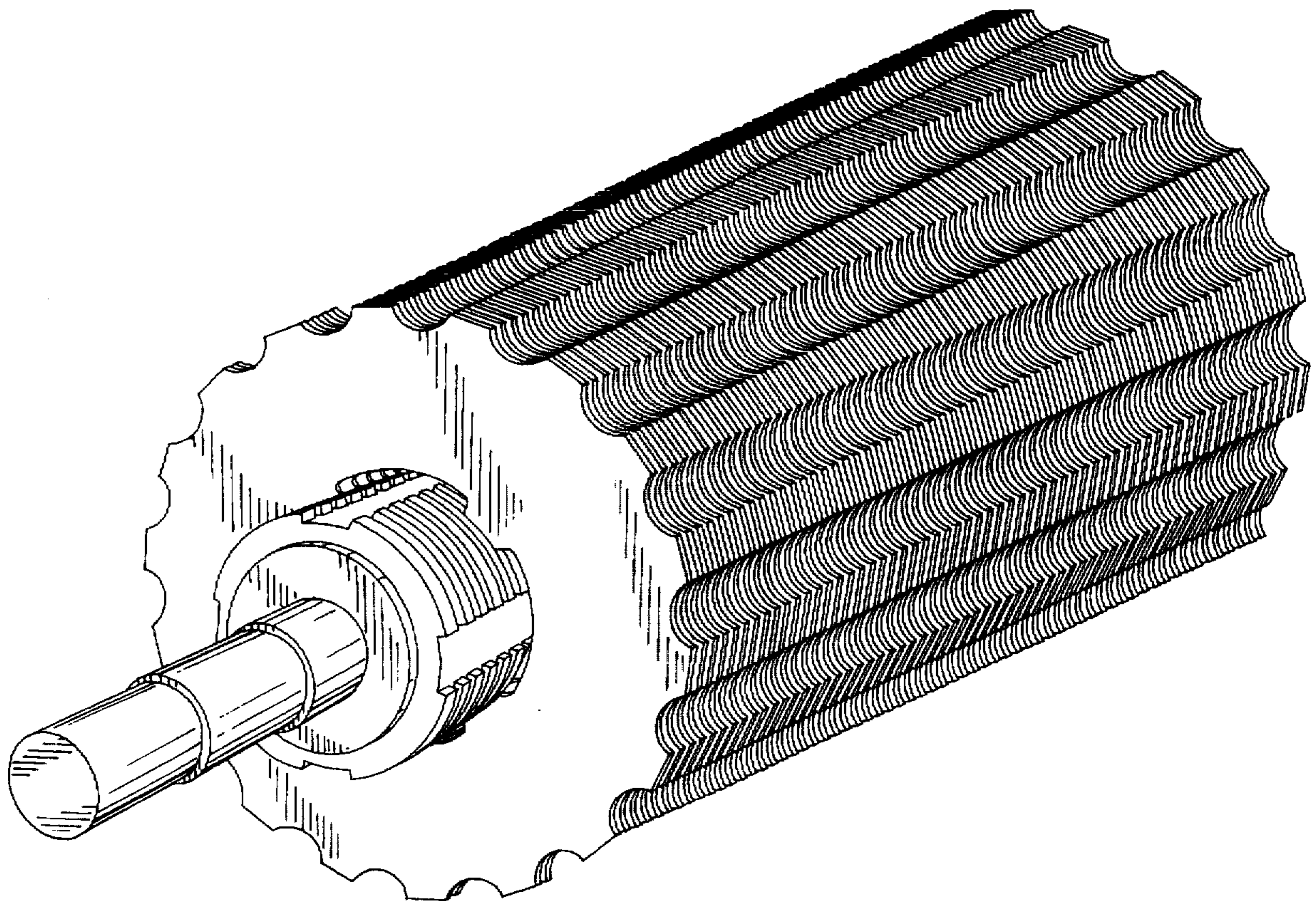
FIG. 1 is an end perspective view of a disc screen rotor including shaft and discs showing my new design;  
FIG. 2 is an end perspective view of a disc screen rotor including shaft and discs showing my new design as seen from the opposite end;  
FIG. 3 is an end perspective view of the shaft portion of a disc screen rotor including shaft and discs showing my new design;  
FIG. 4 is an end perspective view of the shaft portion of a disc screen rotor including shaft and discs showing my new design as seen from the opposite end; and,  
FIG. 5 is a plane view of the discs portion of a disc screen rotor including shaft and discs showing my new design.

[56] **References Cited**

**U.S. PATENT DOCUMENTS**

3,139,918 7/1964 Gronberg ..... 241/292.1  
3,463,406 8/1969 Musgrave ..... 241/86

**1 Claim, 5 Drawing Sheets**



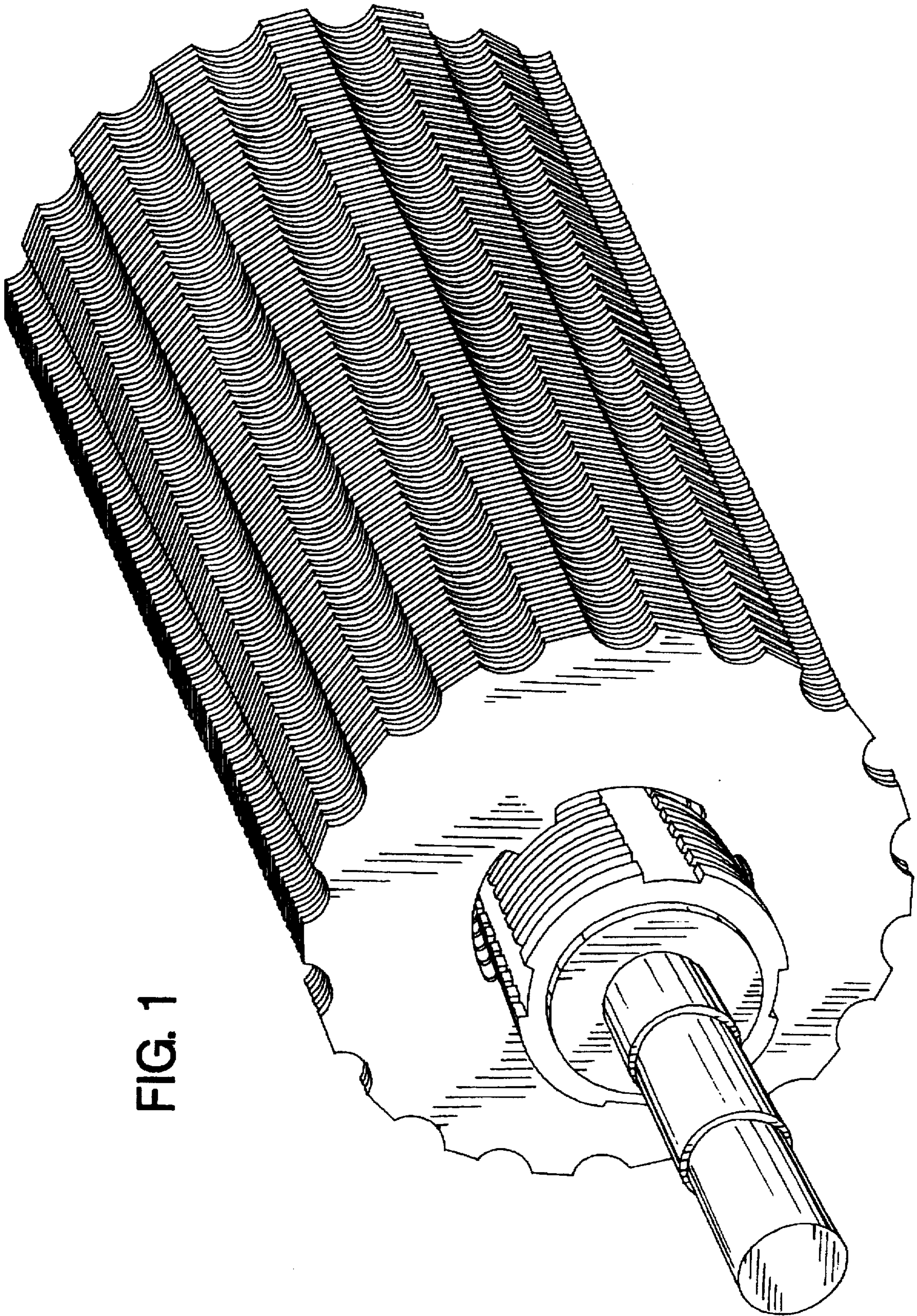


FIG. 1

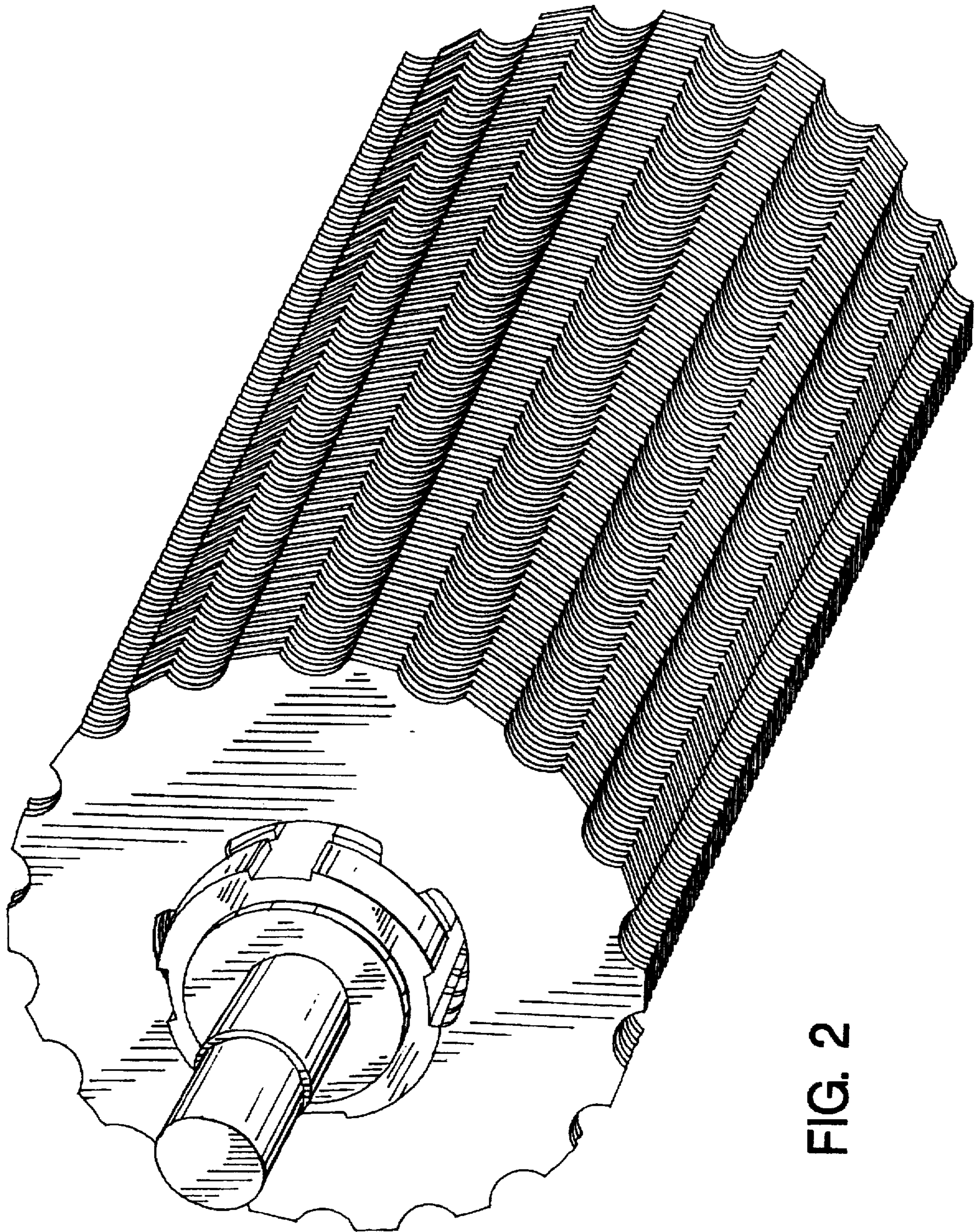


FIG. 2

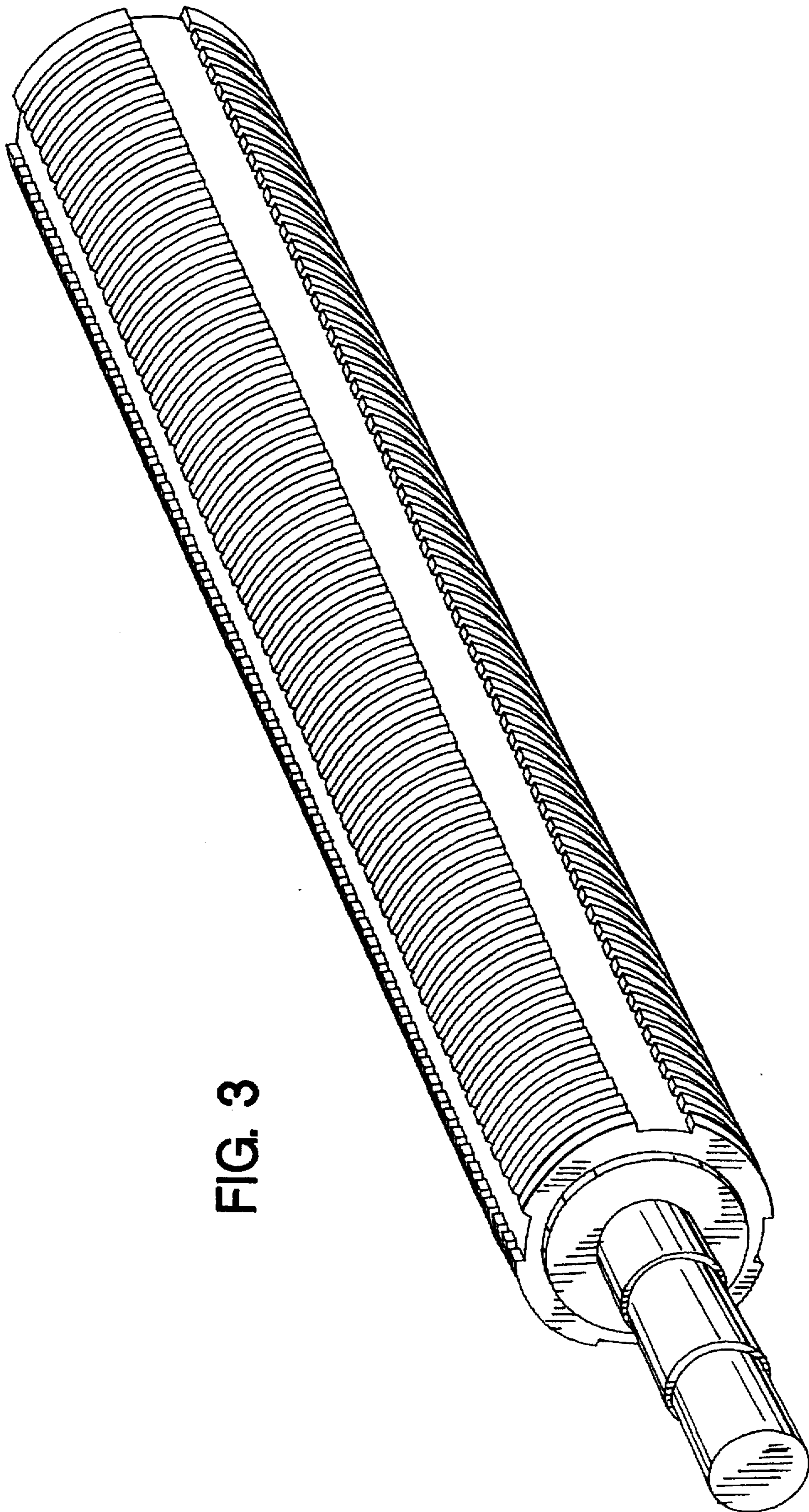


FIG. 3

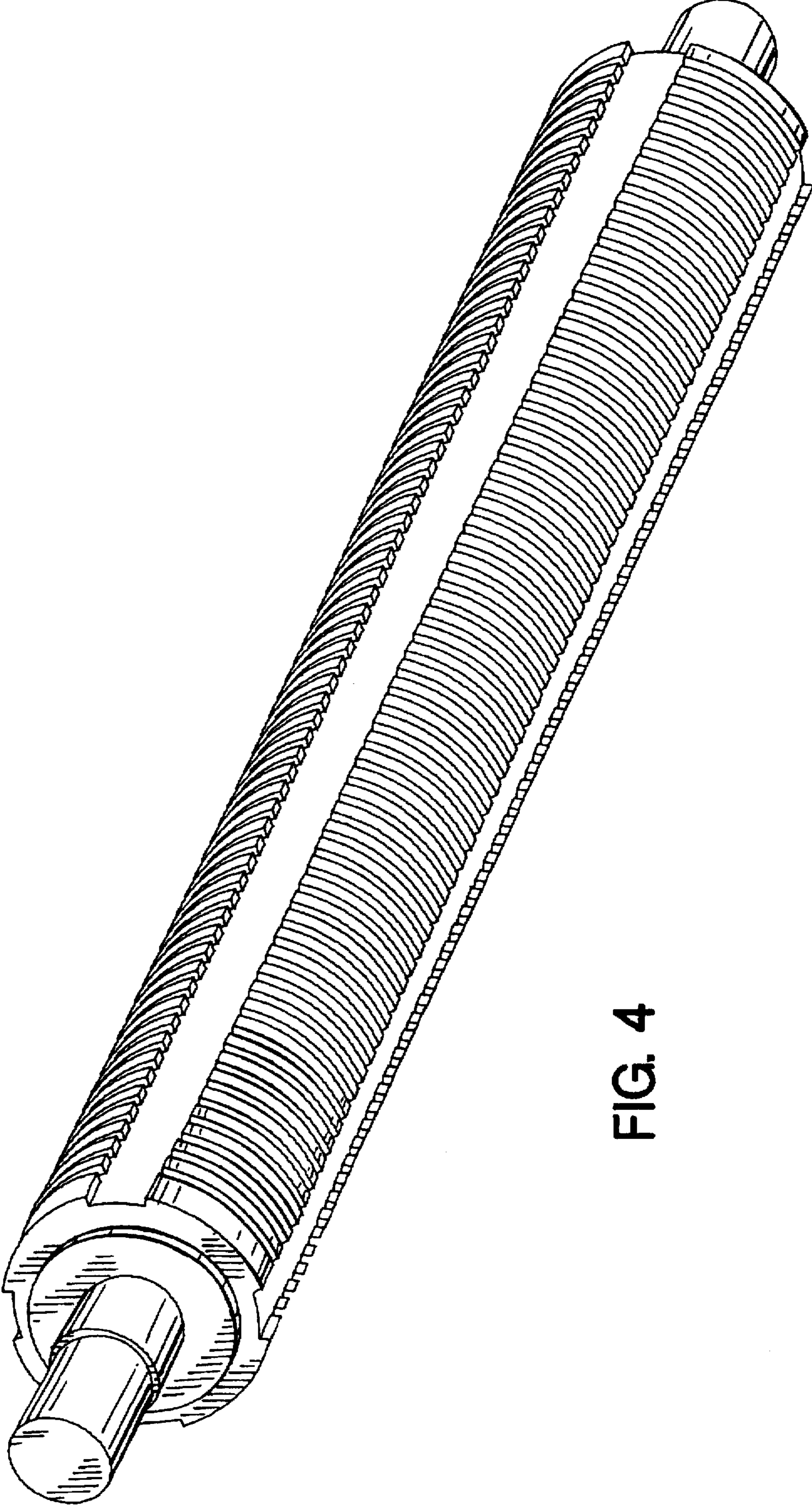
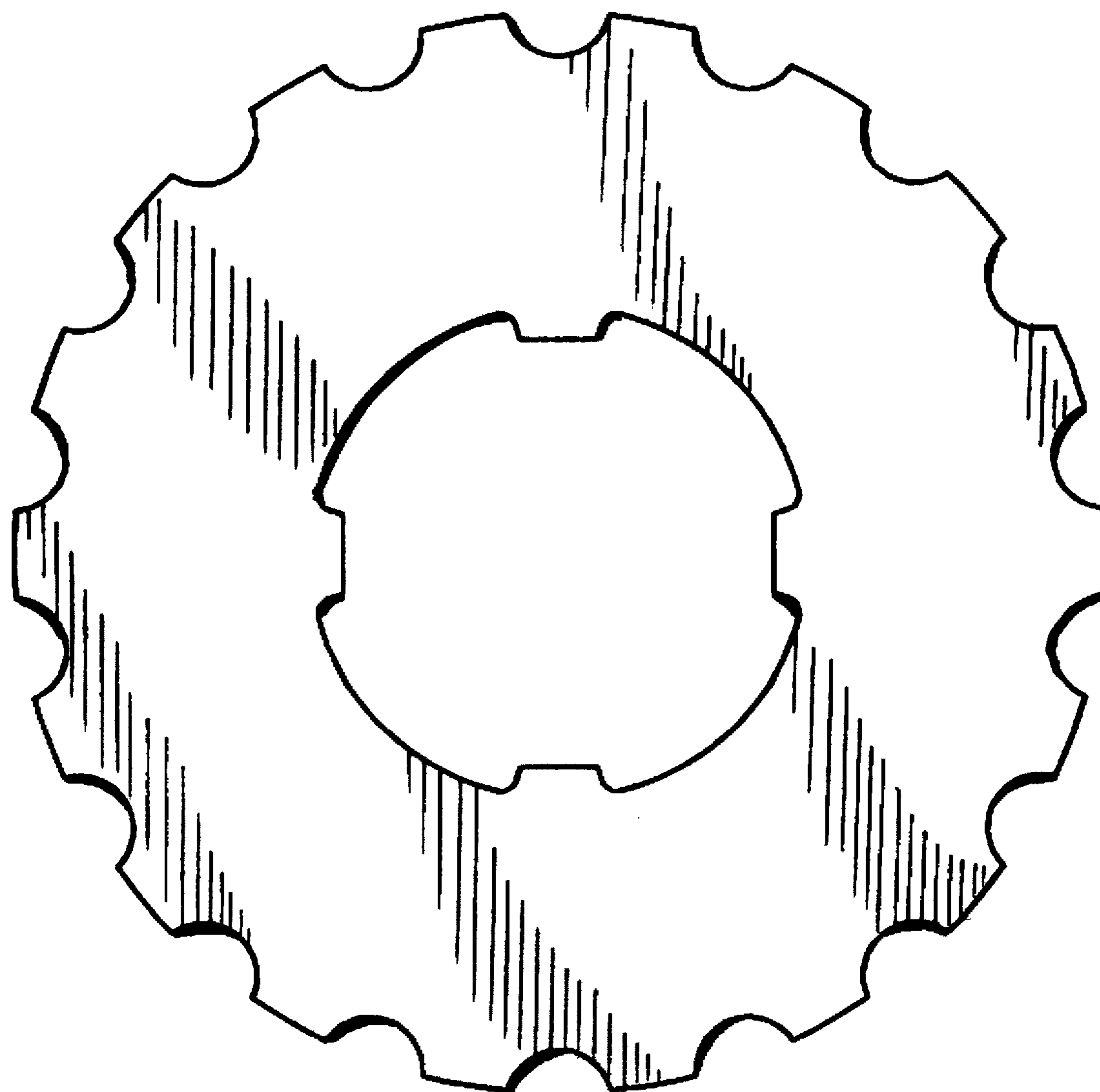


FIG. 4



**FIG. 5**