

US00D392294S

United States Patent [19]

Kato et al.

[11] Patent Number: **Des. 392,294**

[45] Date of Patent: ****Mar. 17, 1998**

[54] **SEWING MACHINE**

[75] Inventors: **Shigemasa Kato; Sanae Takada**, both of Chofu, Japan

[73] Assignee: **Juki Corporation**, Chofu, Japan

[**] Term: **14 Years**

[21] Appl. No.: **62,050**

[22] Filed: **Nov. 6, 1996**

[30] **Foreign Application Priority Data**

May 7, 1996 [JP] Japan 8-13098

[51] LOC (6) Cl. **15-06**

[52] U.S. Cl. **D15/69**

[58] Field of Search D15/66-70; 112/217.1-217.4, 112/258-261

[56] **References Cited**

U.S. PATENT DOCUMENTS

D. 321,518 11/1991 Uchida D15/69

D. 338,021 8/1993 Uchida D15/69
D. 372,720 8/1996 Hattori et al. D15/69
D. 377,357 1/1997 Tseng D15/69

Primary Examiner—Sandra L. Morris
Attorney, Agent, or Firm—Morgan & Finnegan LLP

[57] **CLAIM**

The ornamental design for a sewing machine, as shown and described.

DESCRIPTION

FIG. 1 is a perspective view of a sewing machine showing or new design;

FIG. 2 is a front view thereof;

FIG. 3 is a rear view thereof;

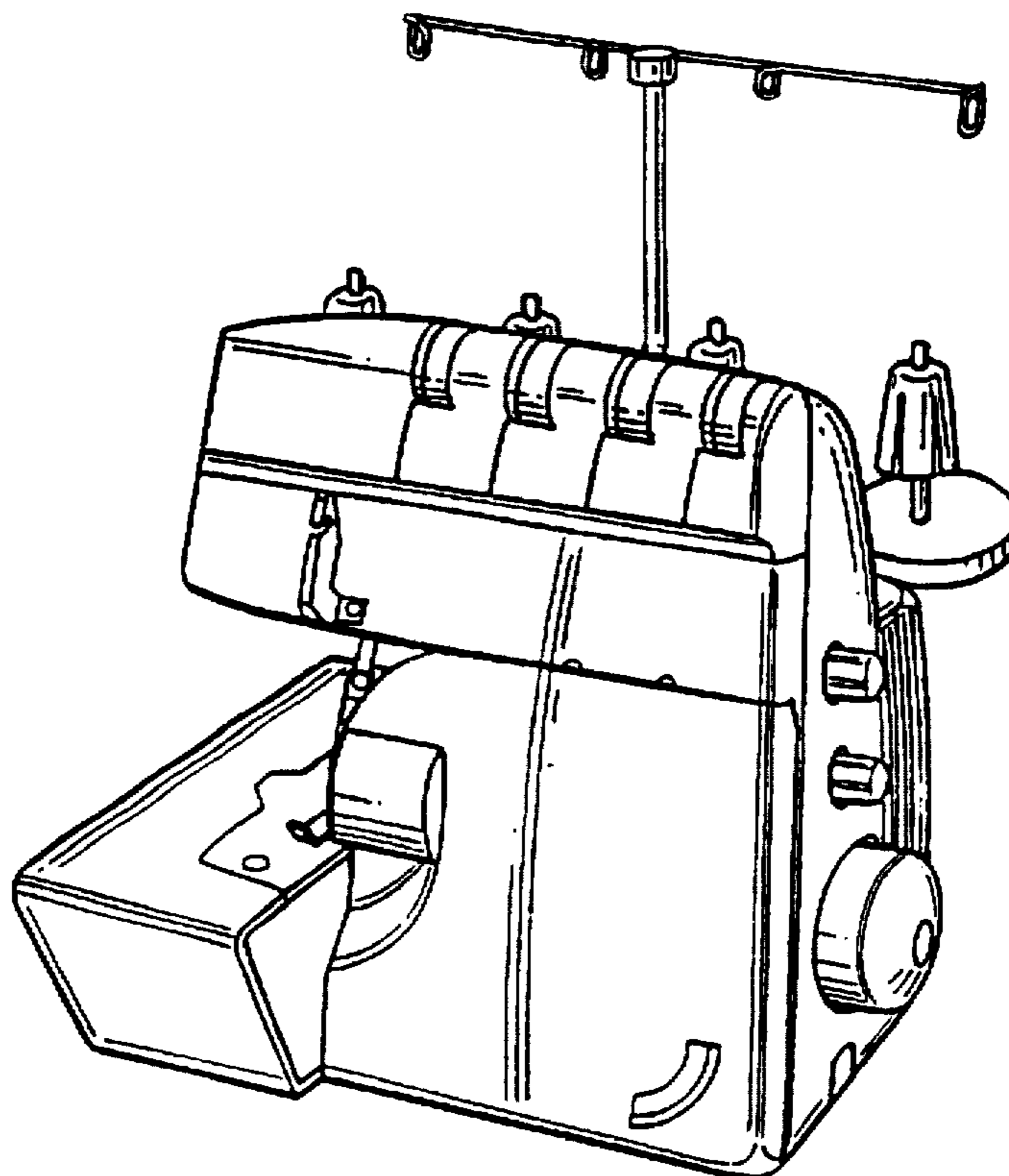
FIG. 4 is a left side view thereof;

FIG. 5 is a right side view thereof;

FIG. 6 is a top view thereof; and,

FIG. 7 is a bottom view thereof.

1 Claim, 3 Drawing Sheets



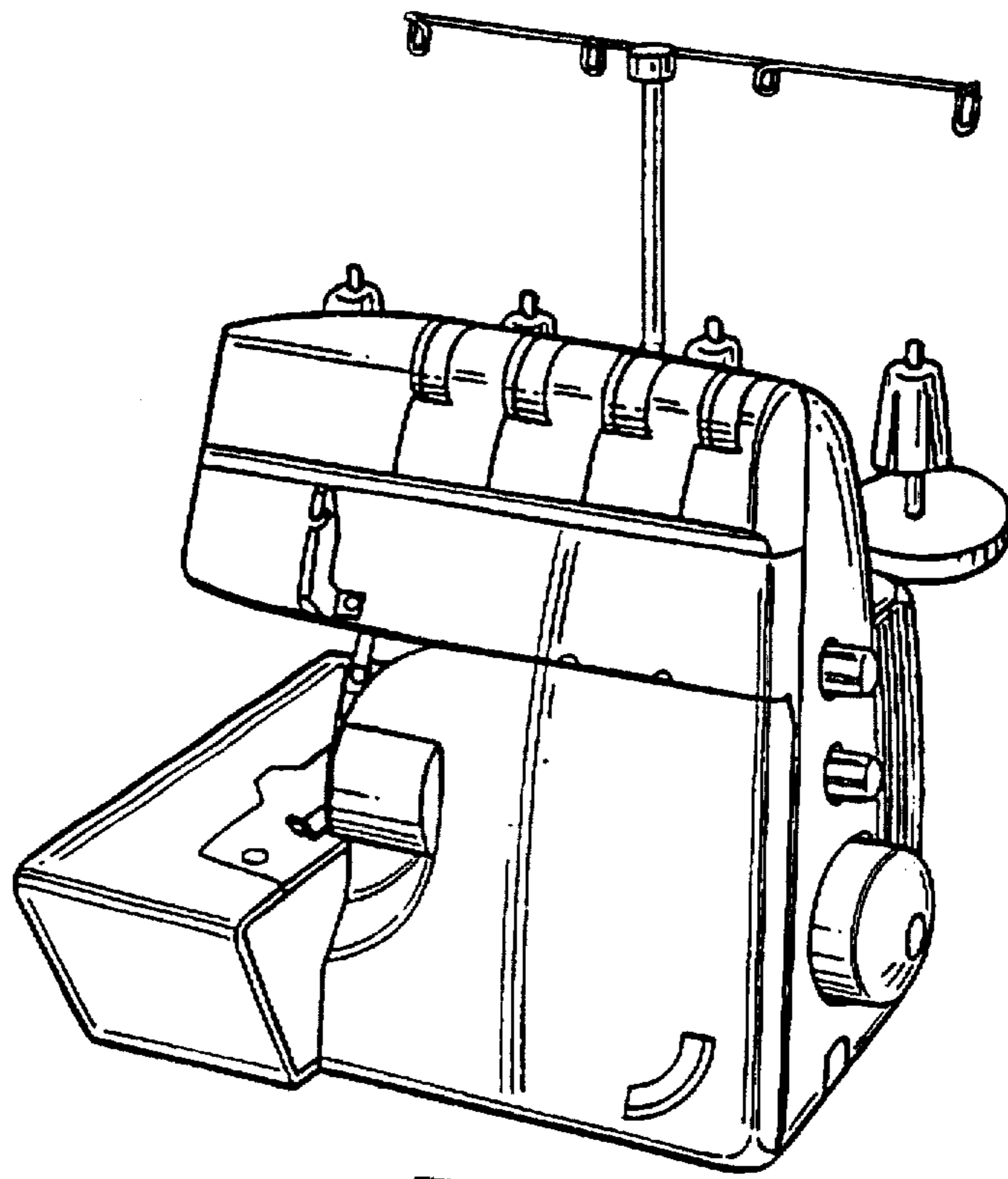


Fig. 1

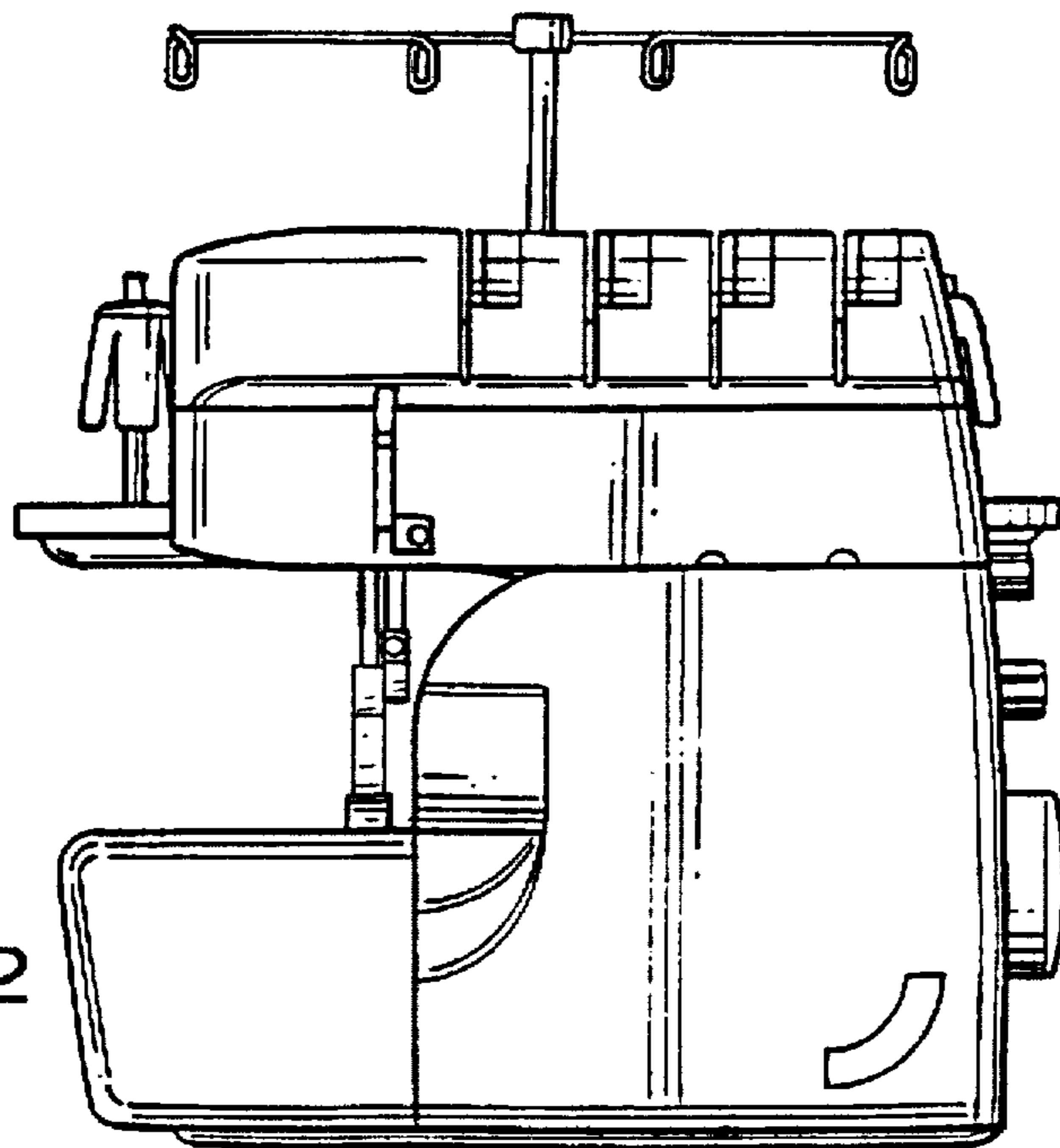


Fig. 2

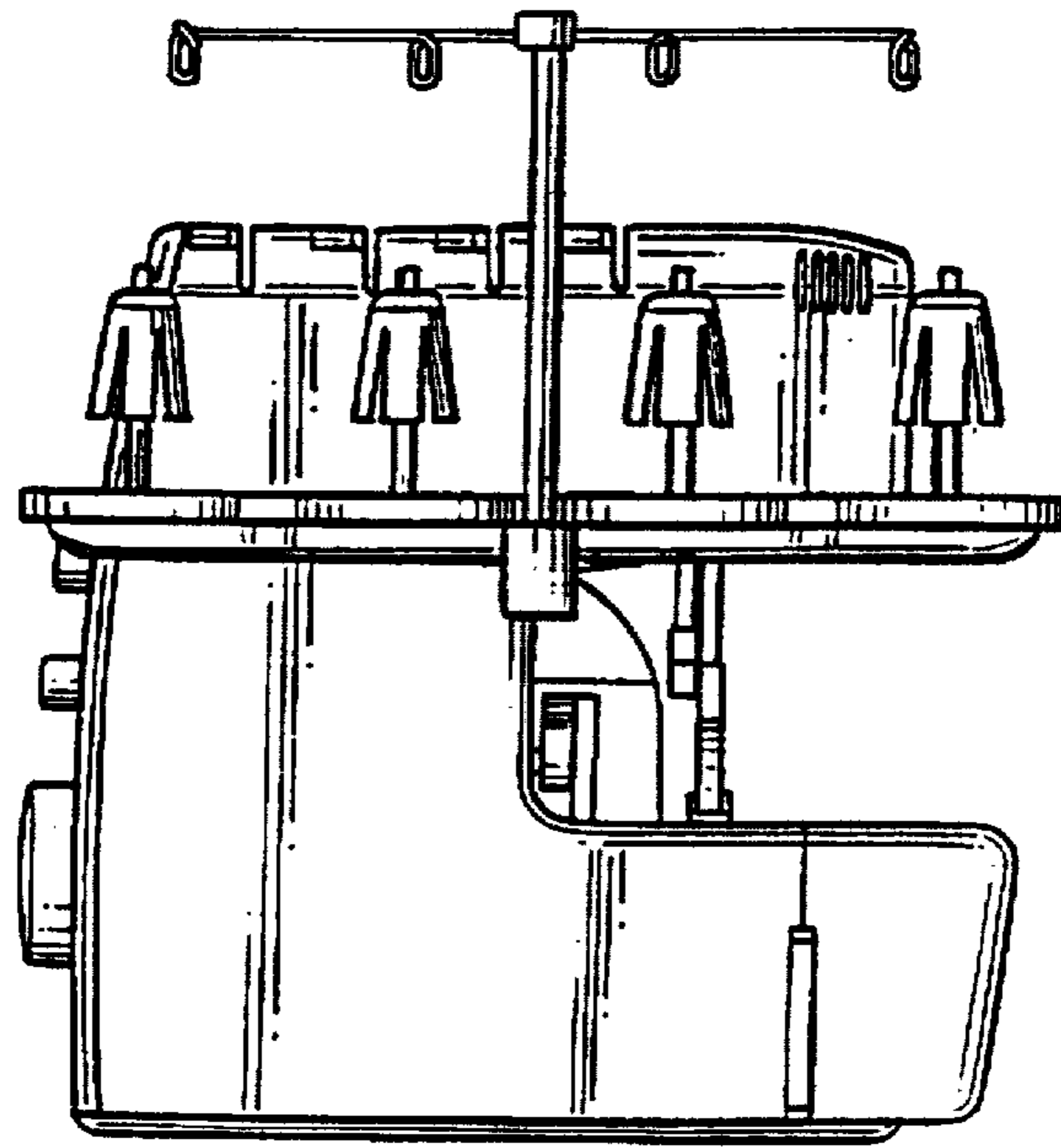


Fig. 3

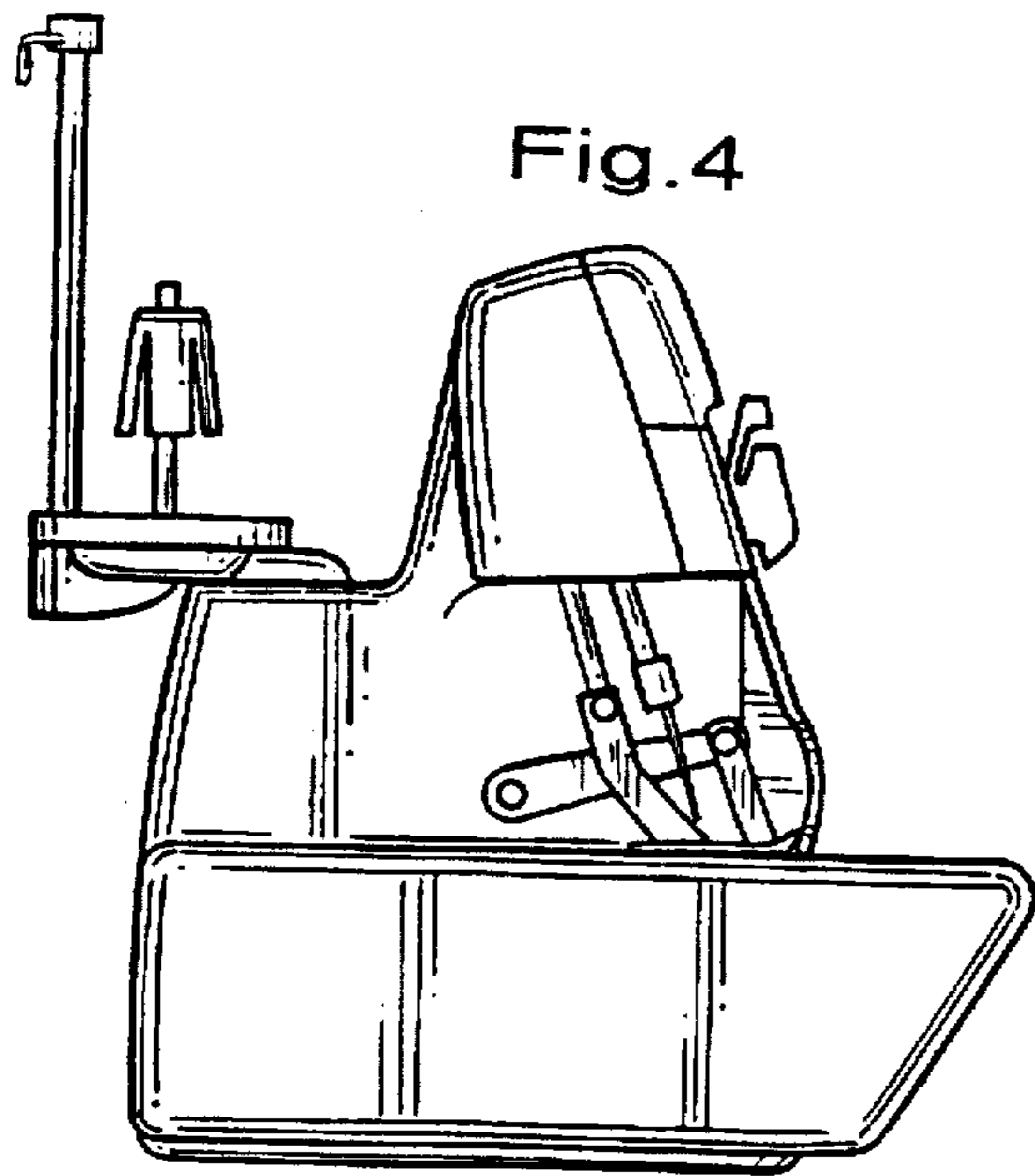


Fig. 4

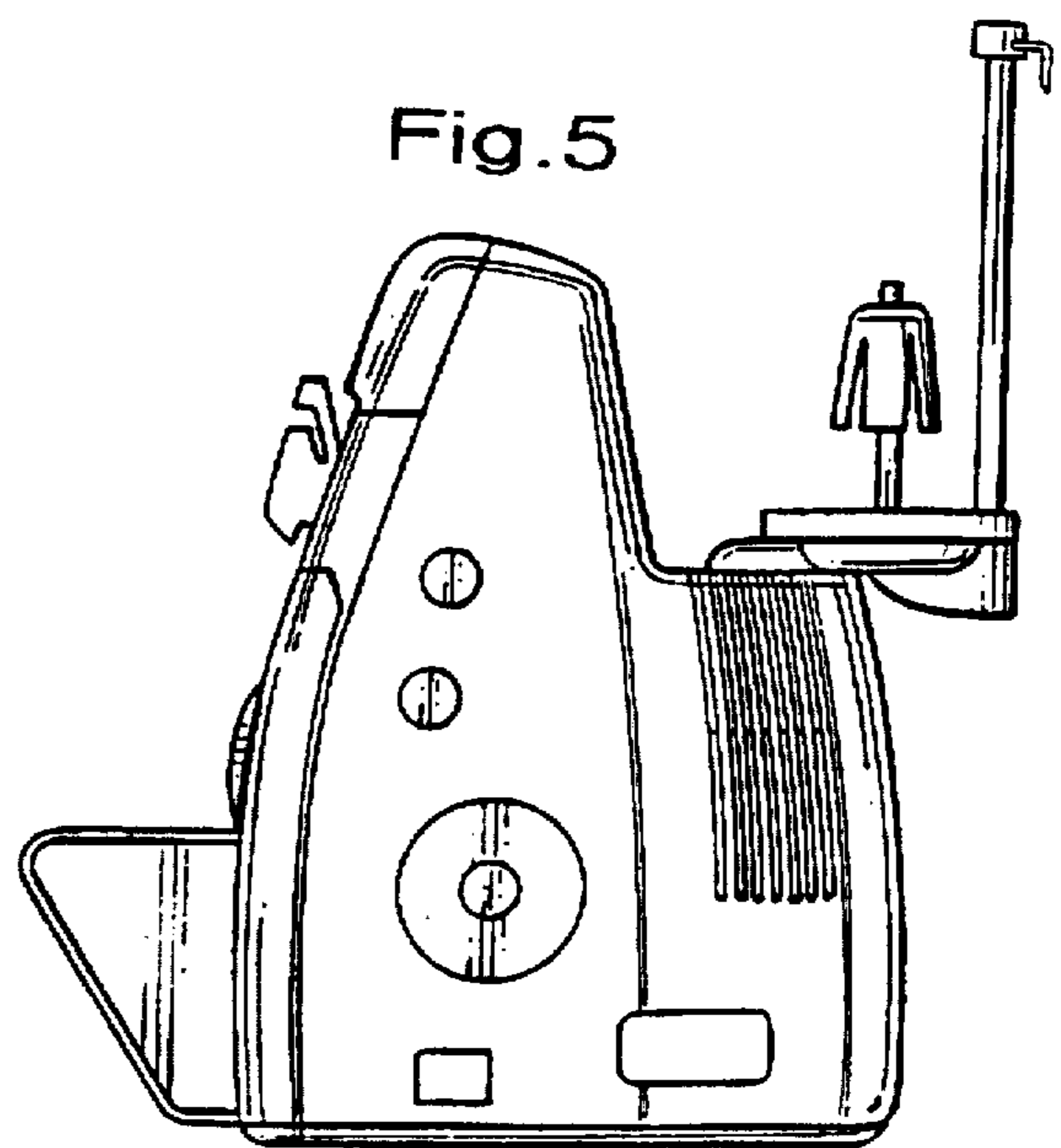


Fig. 5

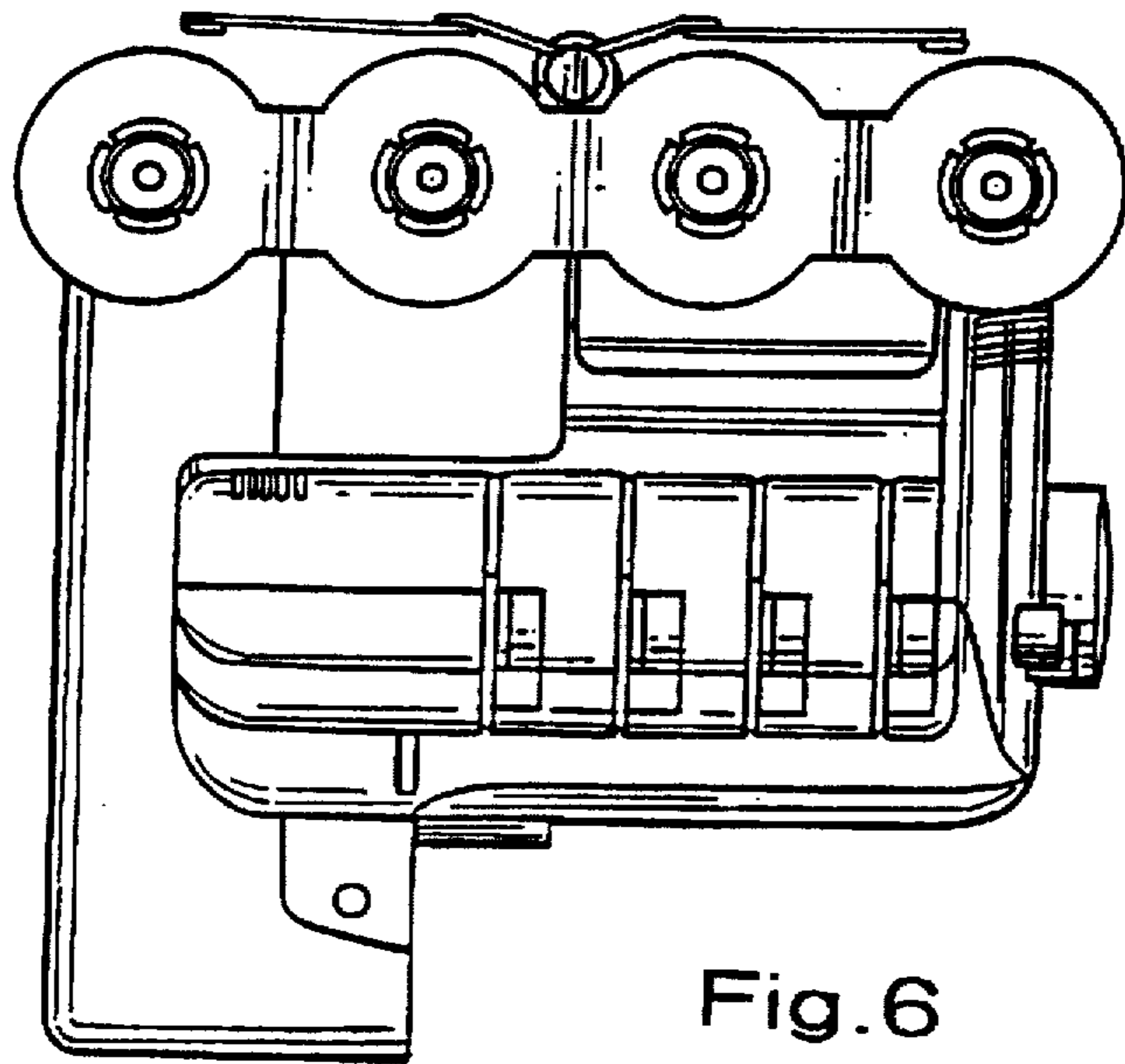


Fig. 6

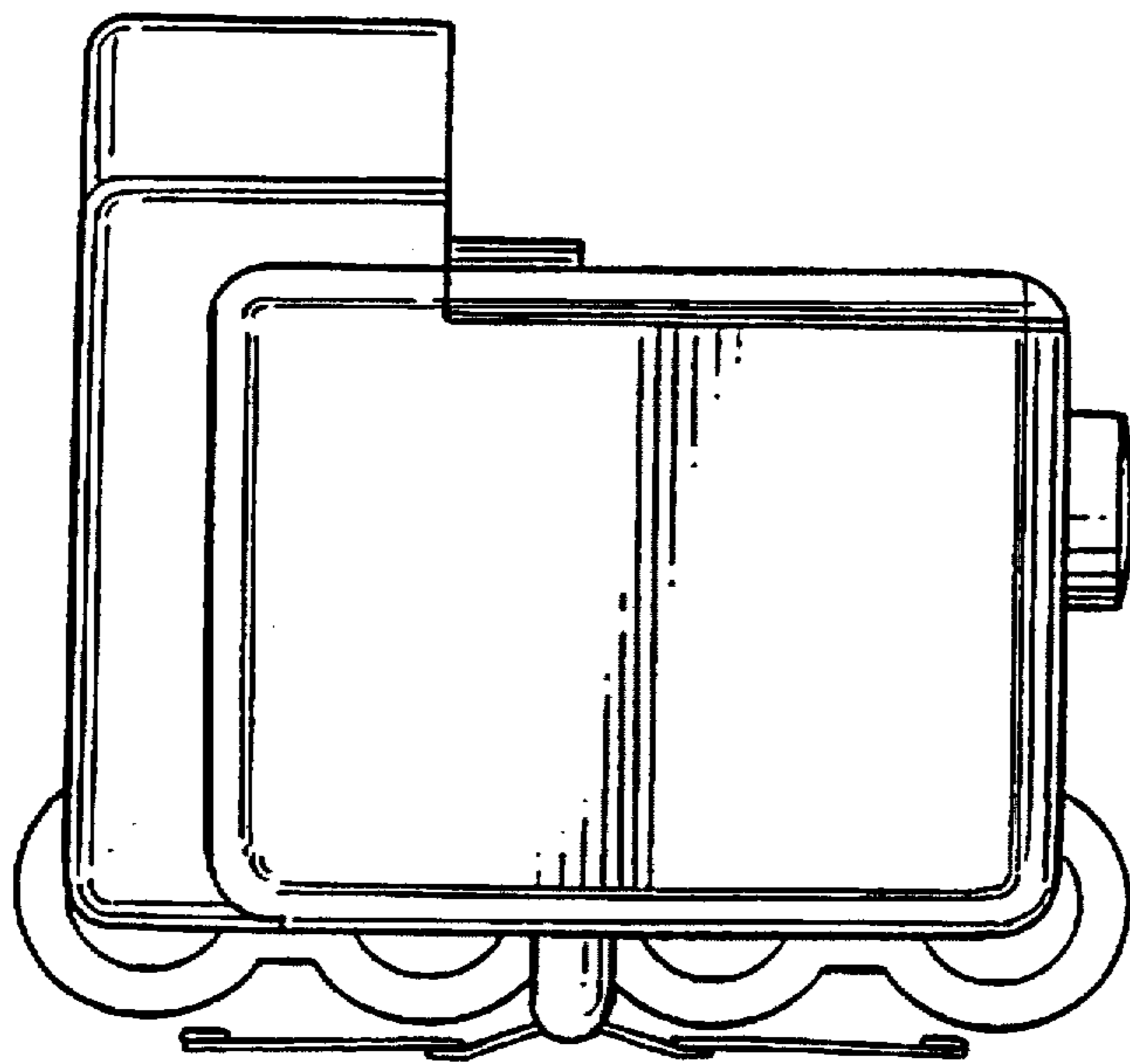


Fig. 7