



US00D392293S

United States Patent [19]

Tsay et al.

[11] Patent Number: **Des. 392,293**

[45] Date of Patent: ****Mar. 17, 1998**

[54] **HAND-HELD ELECTRIC SEWING MACHINE**

[75] Inventors: **Shi-chour Tsay; Jen-hsin Ho**, both of Taoyuan Hsien, Taiwan

[73] Assignee: **Airtek Industry Corp.**, Taipei, Taiwan

[**] Term: **14 Years**

[21] Appl. No.: **57,627**

[22] Filed: **Jul. 29, 1996**

[51] LOC (6) Cl. **15-06**

[52] U.S. Cl. **D15/69**

[58] Field of Search D15/66, 69, 72; 112/110, 154, 167, 217.1-217.4, 258-261

[56] **References Cited**

U.S. PATENT DOCUMENTS

D. 278,912	5/1985	Laude et al.	D15/69
D. 347,641	6/1994	Hsu	D15/69
4,428,312	1/1984	Ketterer	112/110
5,609,116	3/1997	Koike	112/169

OTHER PUBLICATIONS

Macy's Catalog, p. 50, Singer Button Magic.

Primary Examiner—Sandra L. Morris
Attorney, Agent, or Firm—Peterson, Wicks, Nemer & Kamrath, P.A.

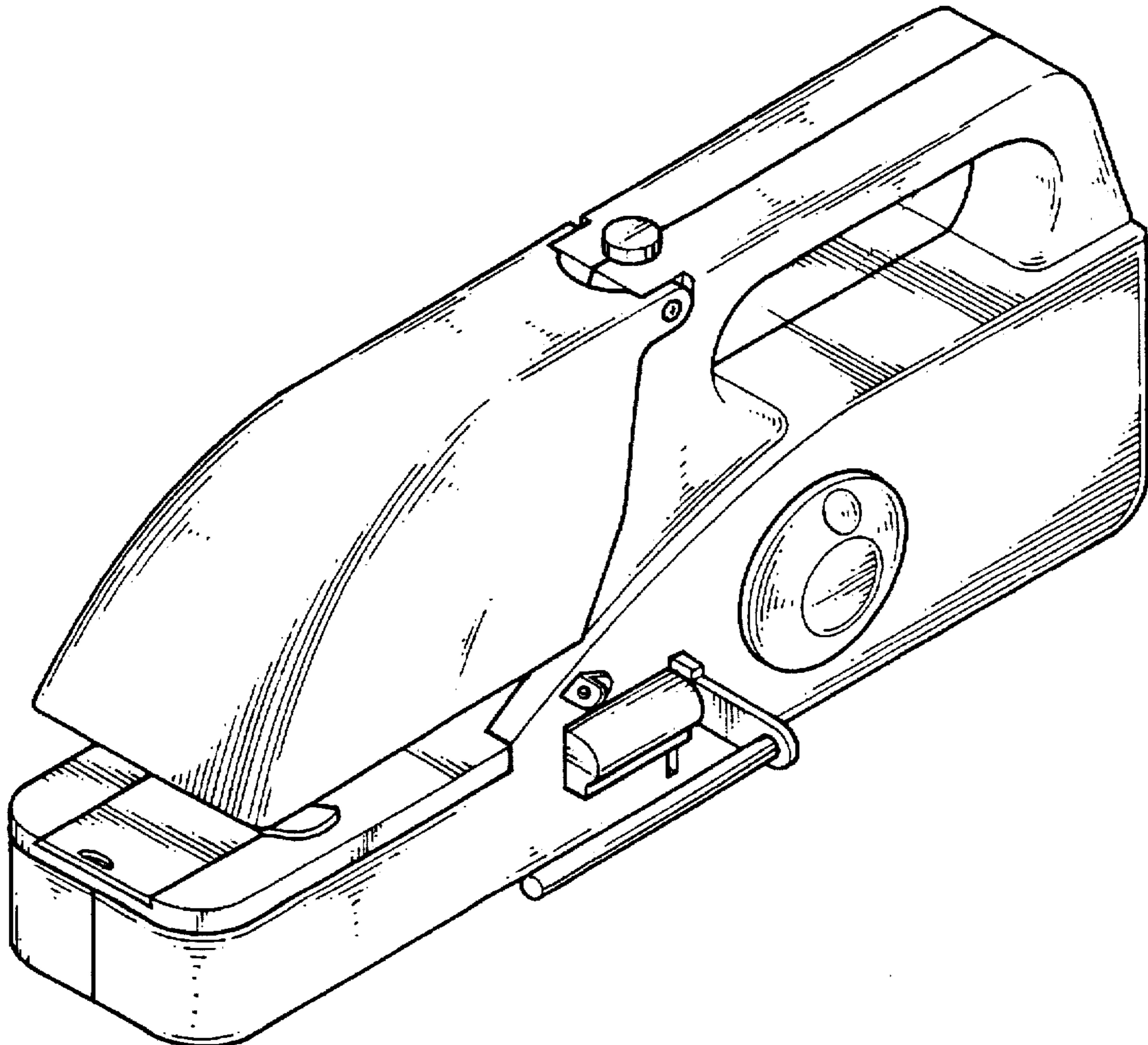
[57] **CLAIM**

The ornamental design for a hand-held electric sewing machine, as shown and described.

DESCRIPTION

FIG. 1 is a front-right-top perspective view of a hand-held electric sewing machine showing our new design; FIG. 2 is a front view thereof; FIG. 3 is a rear view thereof; FIG. 4 is a left side view thereof; FIG. 5 is a right side view thereof; FIG. 6 is a top view thereof; and, FIG. 7 is a bottom view thereof.

1 Claim, 5 Drawing Sheets



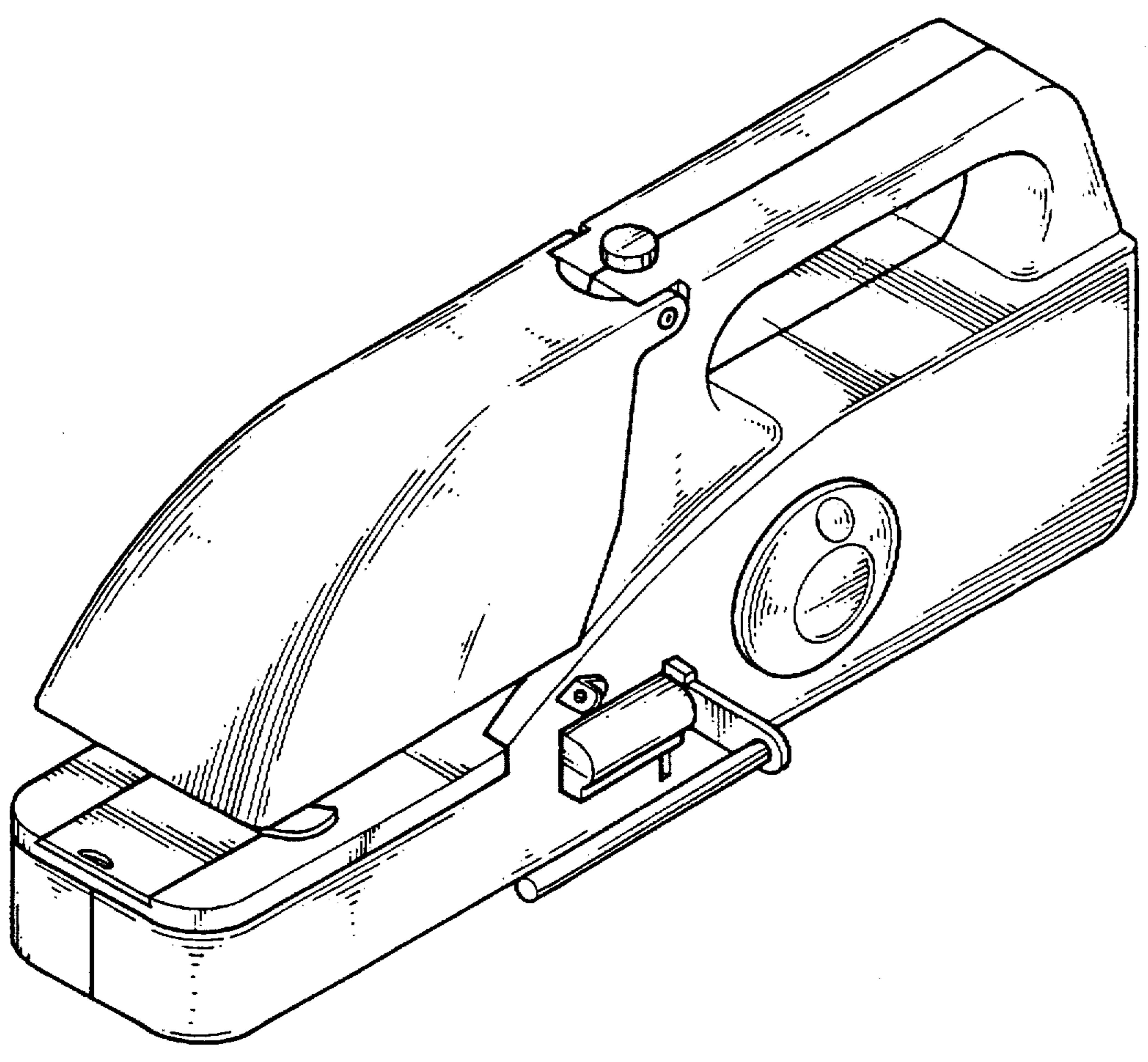


FIG. 1

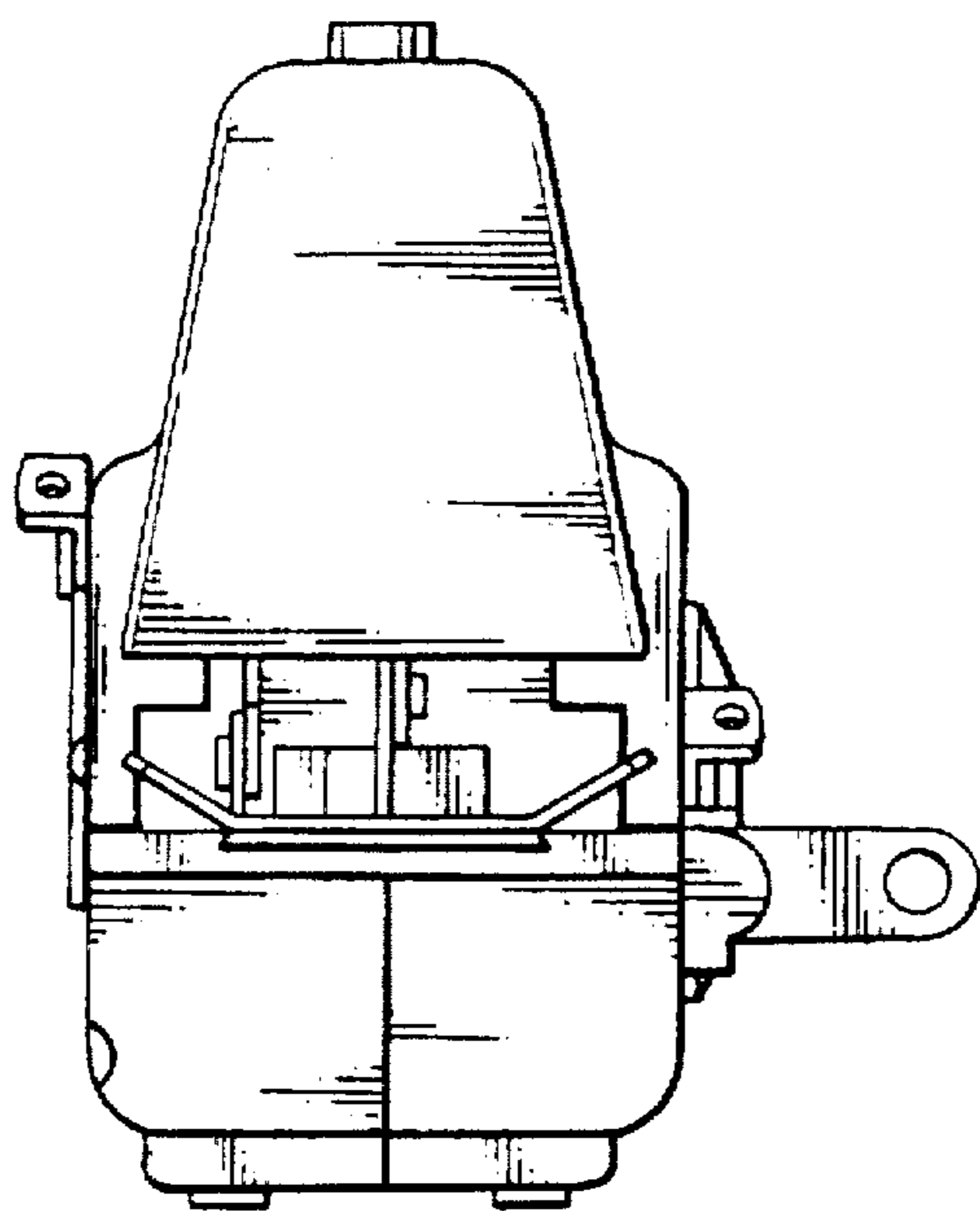


FIG. 2

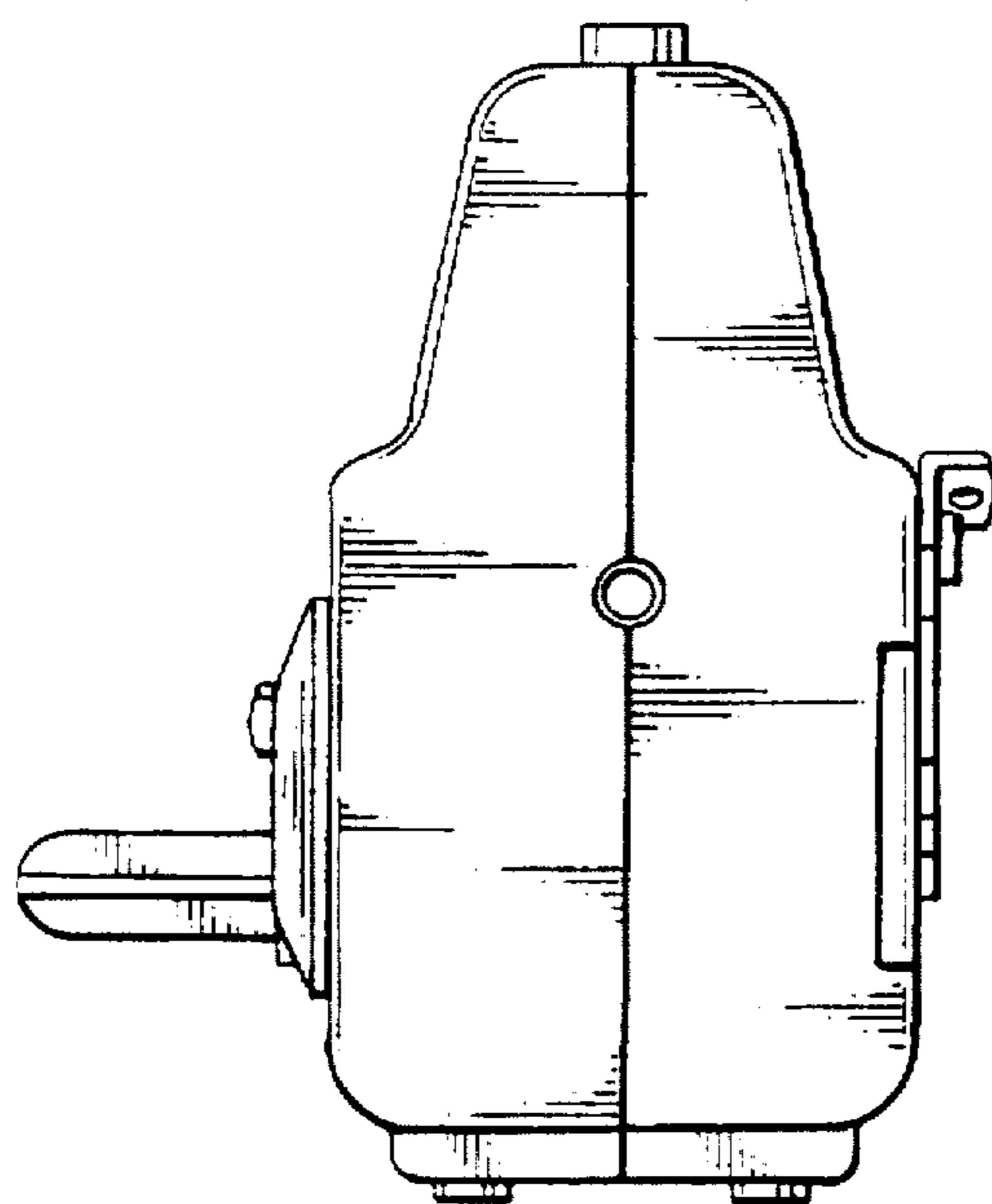


FIG. 3

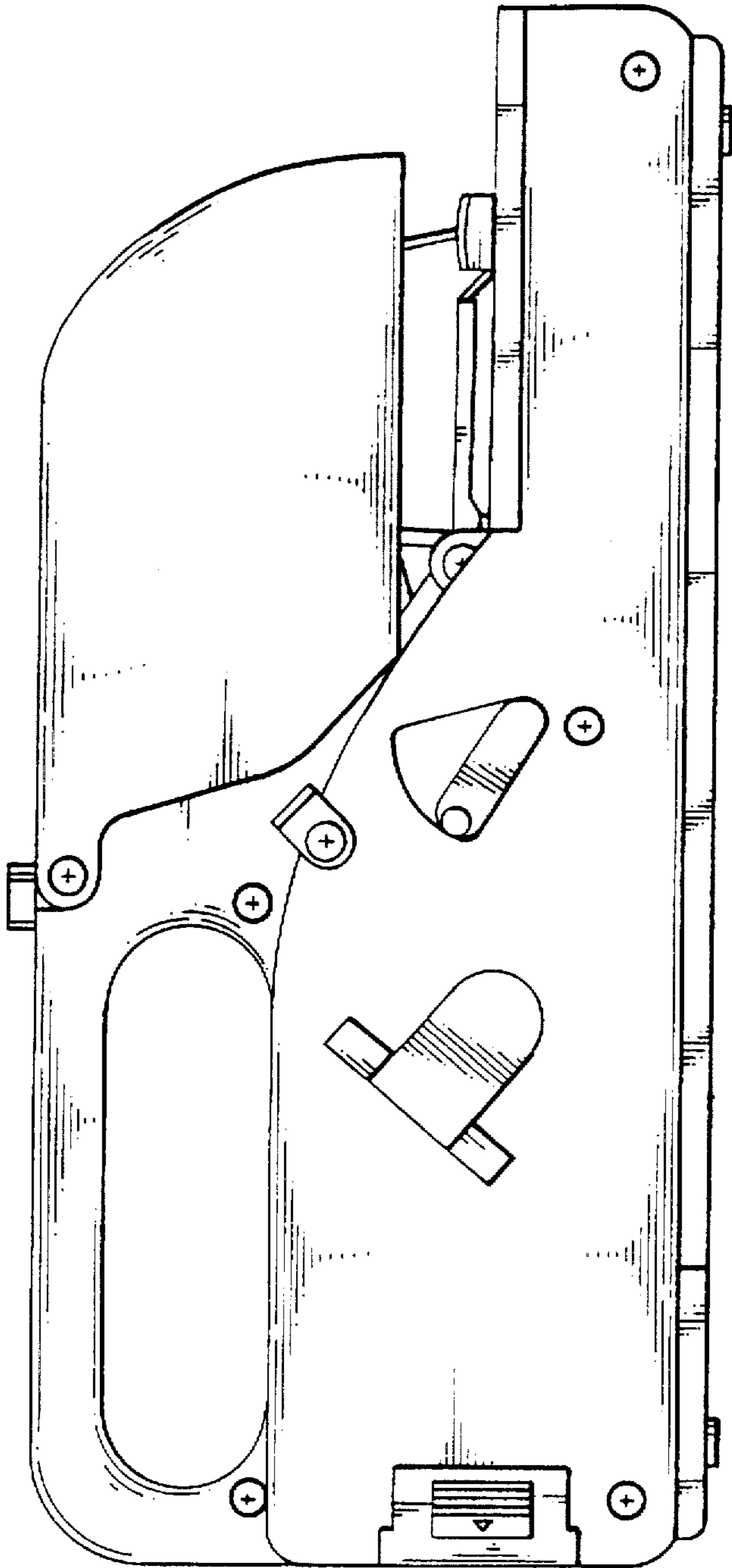


FIG. 4

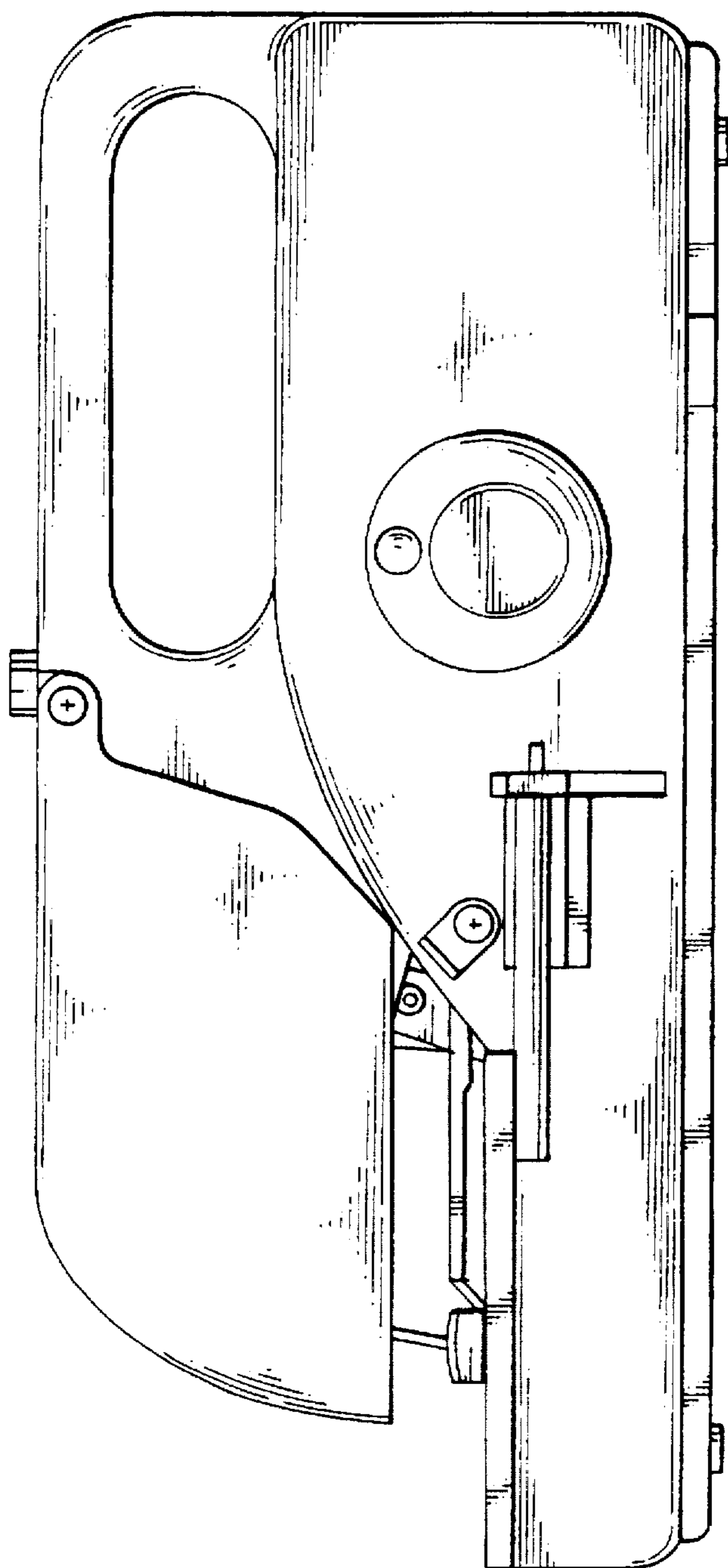


FIG. 5

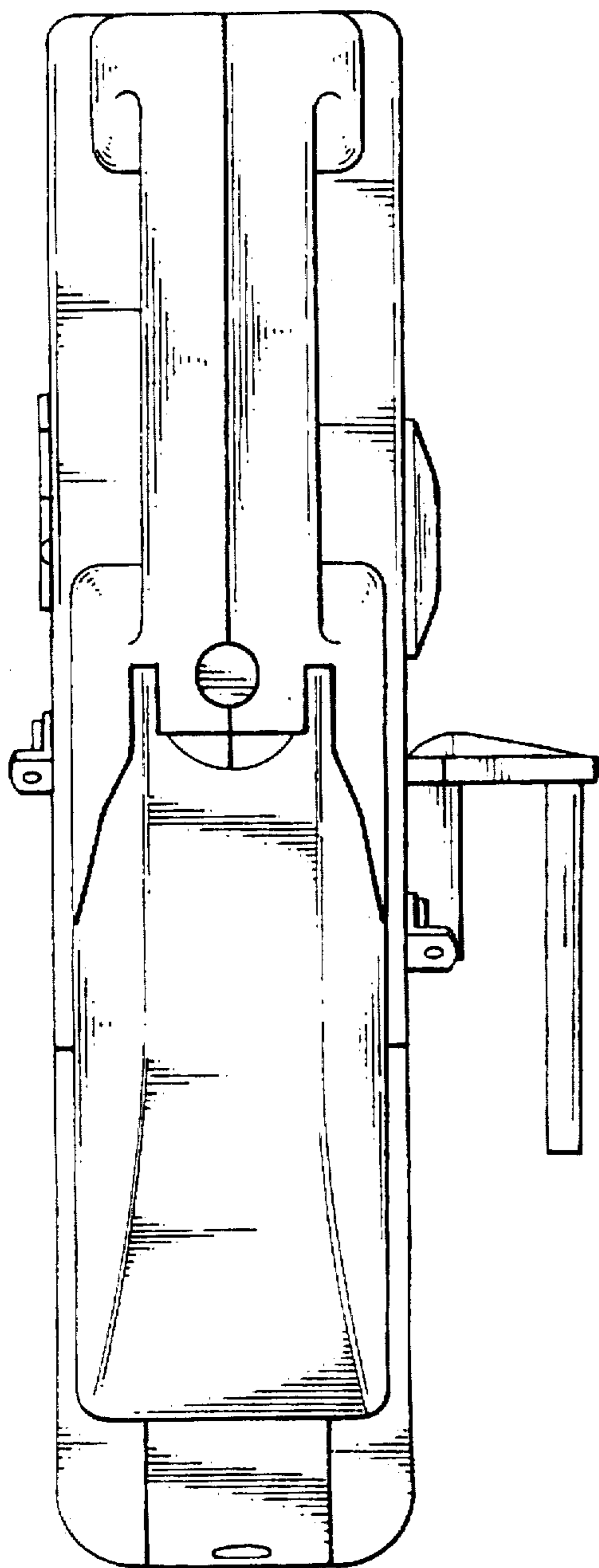


FIG. 6

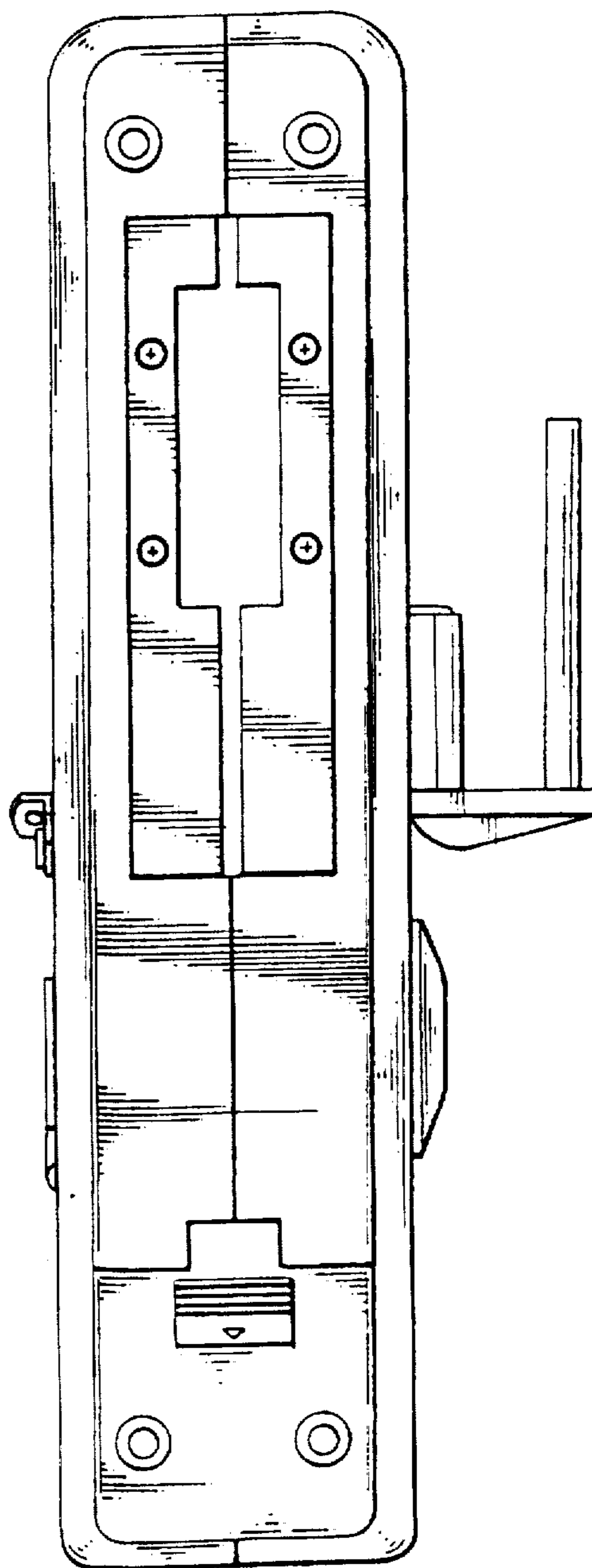


FIG. 7