



US00D392289S

# United States Patent [19]

Isonaga

[11] Patent Number: **Des. 392,289**

[45] Date of Patent: **\*\*Mar. 17, 1998**

[54] **SPEAKER BOX**

[75] Inventor: **Yasuaki Isonaga**, Tokyo, Japan

[73] Assignee: **Sony Kabushiki Kaisha**, Tokyo, Japan

[\*\*] Term: **14 Years**

[21] Appl. No.: **58,145**

[22] Filed: **Aug. 8, 1996**

[30] **Foreign Application Priority Data**

Feb. 16, 1996 [JP] Japan ..... 8-3657

[51] LOC (6) Cl. .... **14-01**

[52] U.S. Cl. .... **D14/214**

[58] **Field of Search** ..... D14/114, 204,  
D14/207-216, 219, 221-222; 181/144-145,  
147-148, 150, 152, 157, 159, 198-199;  
381/24, 88, 90, 153, 159, 186, 188, 203,  
205

[56] **References Cited**

**U.S. PATENT DOCUMENTS**

- D. 243,023 1/1977 Robson ..... D14/214
- D. 253,649 12/1979 Peveto ..... D14/214
- D. 268,180 3/1983 Leo ..... D14/214
- D. 276,518 11/1984 Clemans ..... D14/214

- D. 348,267 6/1994 Yurkonis ..... D14/214
- 4,805,730 2/1989 O'Neill et al. .... 181/145 X

**OTHER PUBLICATIONS**

Hong Kong Enterprise, p. 171, Stereo Speaker systems, model No. SP-12, Jun. 1991.

*Primary Examiner*—Ted Shooman  
*Assistant Examiner*—Nanda Bondade  
*Attorney, Agent, or Firm*—Morgan & Finnegan LLP

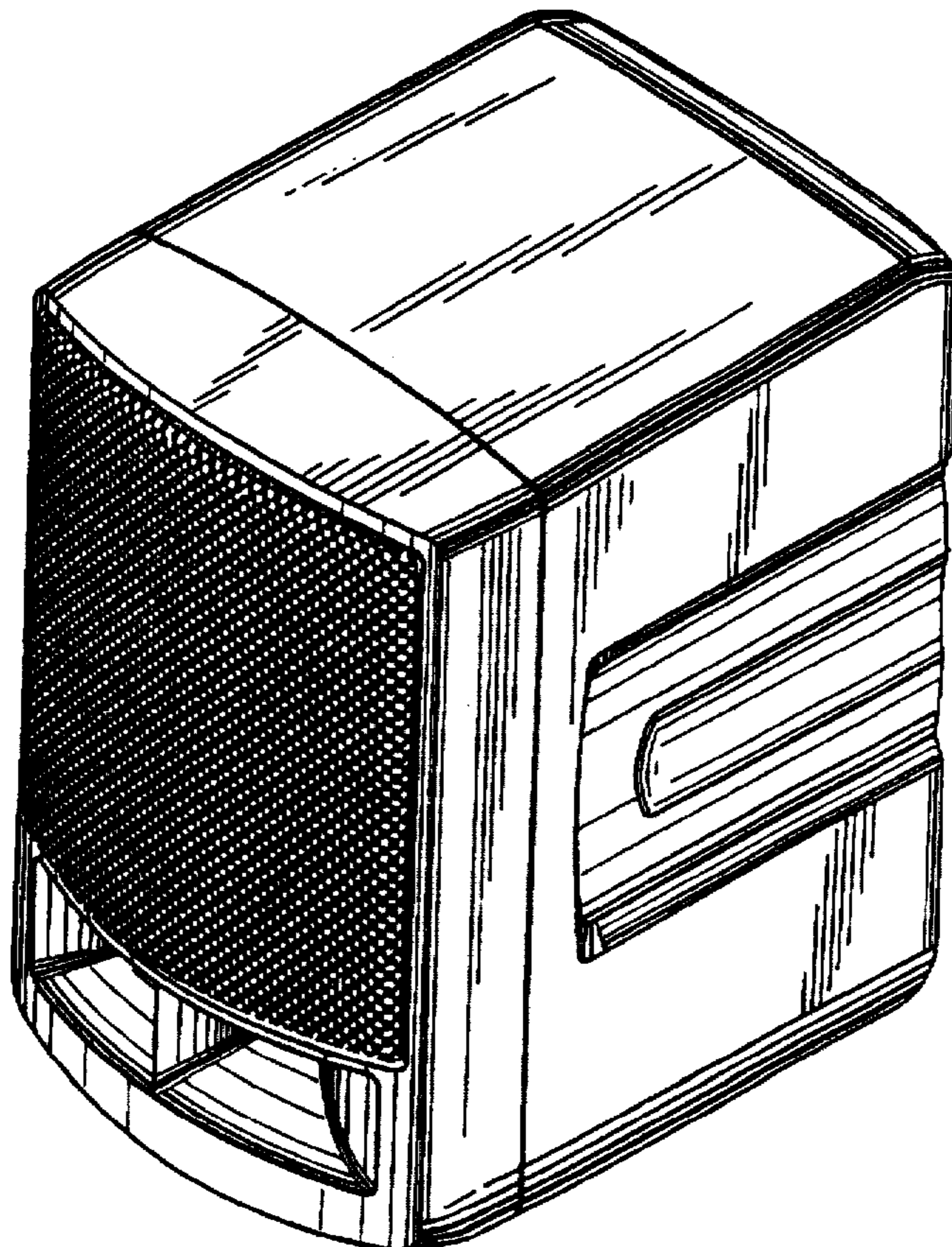
[57] **CLAIM**

The ornamental design for the speaker box, as shown and described.

**DESCRIPTION**

FIG. 1 is a front perspective view of the speaker box in accordance with the present invention;  
FIG. 2 is front elevation view of the speaker box of FIG. 1;  
FIG. 3 is a rear elevation view of the speaker box of FIG. 1;  
FIG. 4 is a left side elevation view of the speaker box of FIG. 1;  
FIG. 5 is a right side elevation view of the speaker box of FIG. 1;  
FIG. 6 is a top plan view of the speaker box of FIG. 1; and,  
FIG. 7 is a bottom plan view of the speaker box of FIG. 1.

**1 Claim, 3 Drawing Sheets**



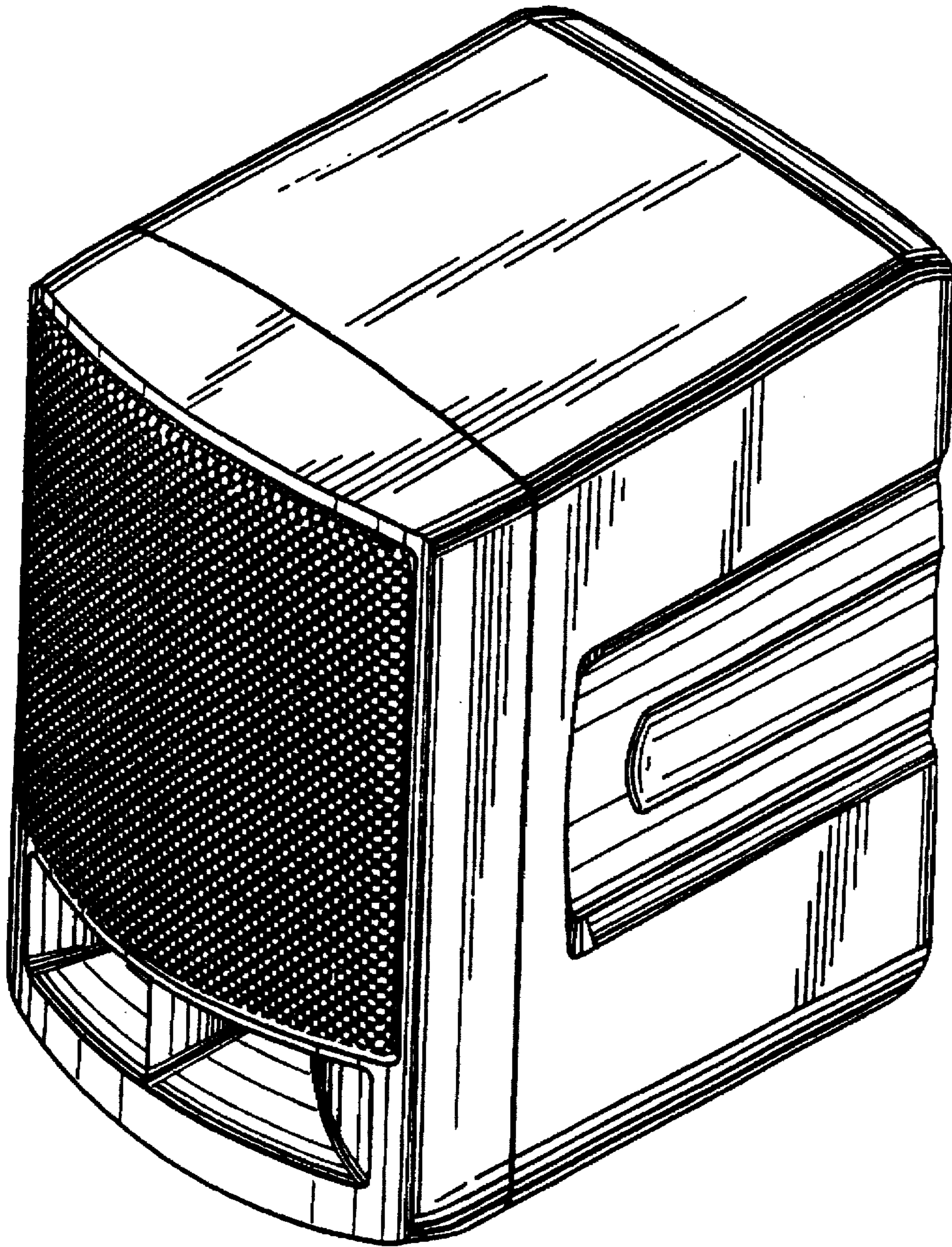


FIG. 1

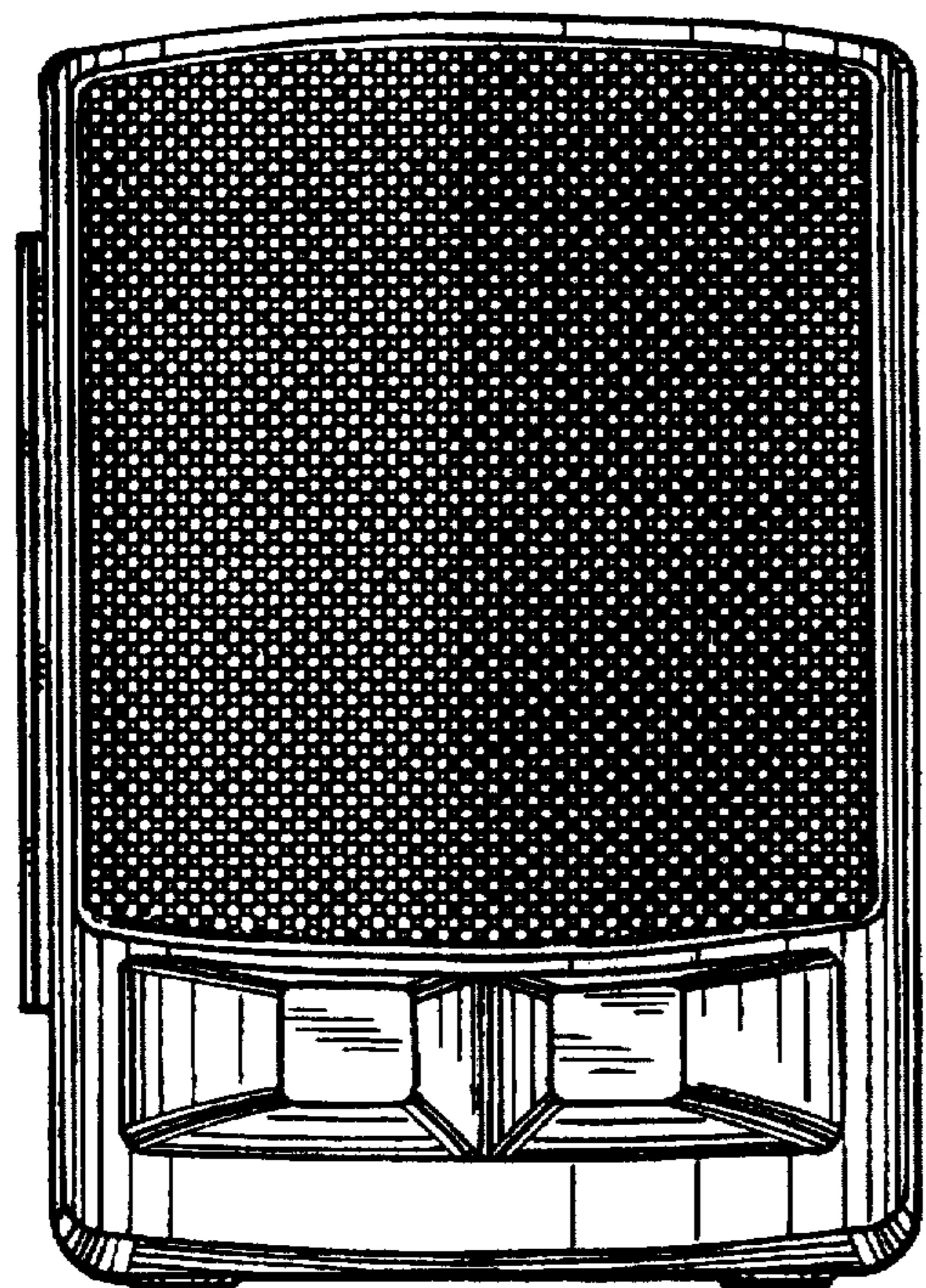


FIG. 2

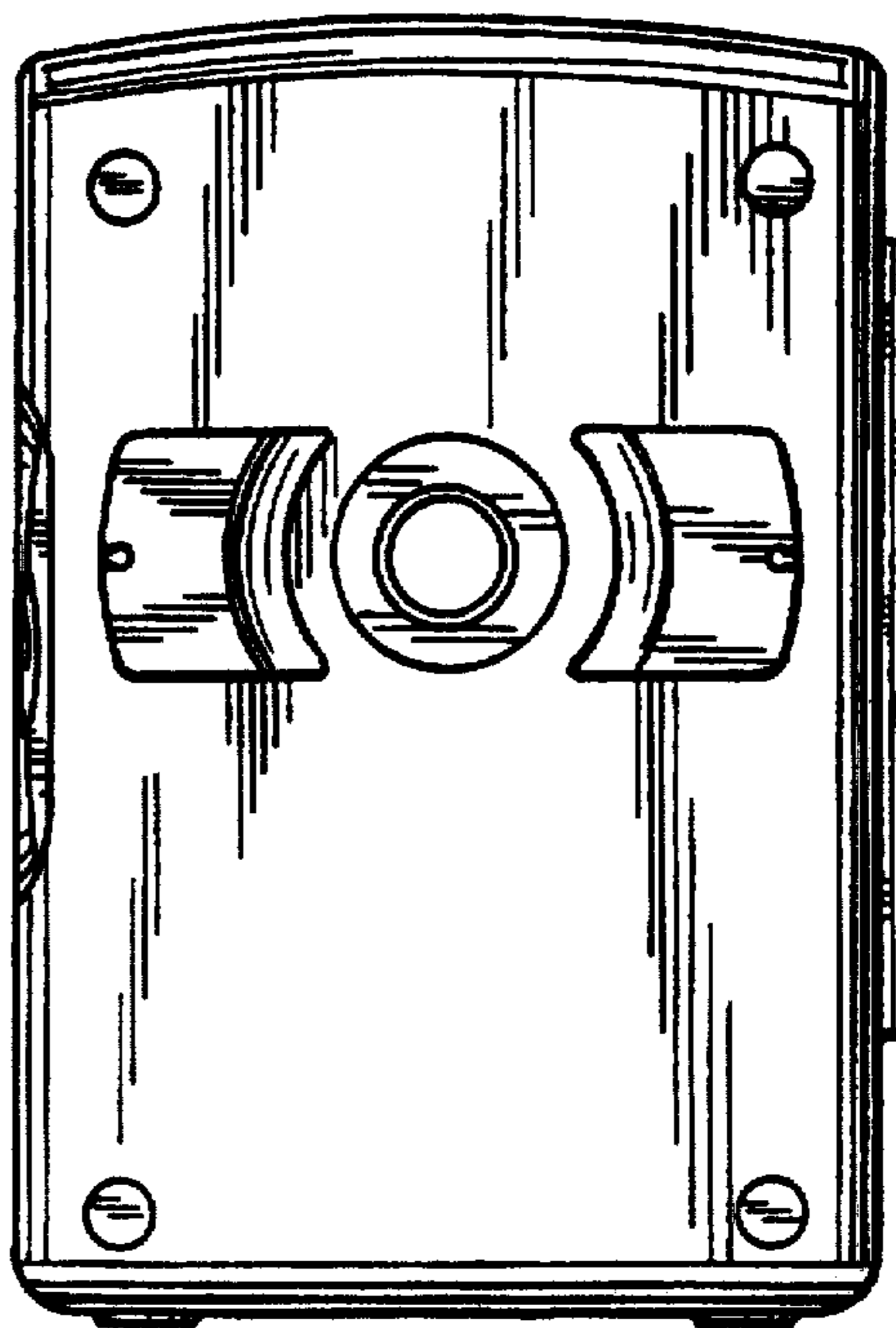


FIG. 3

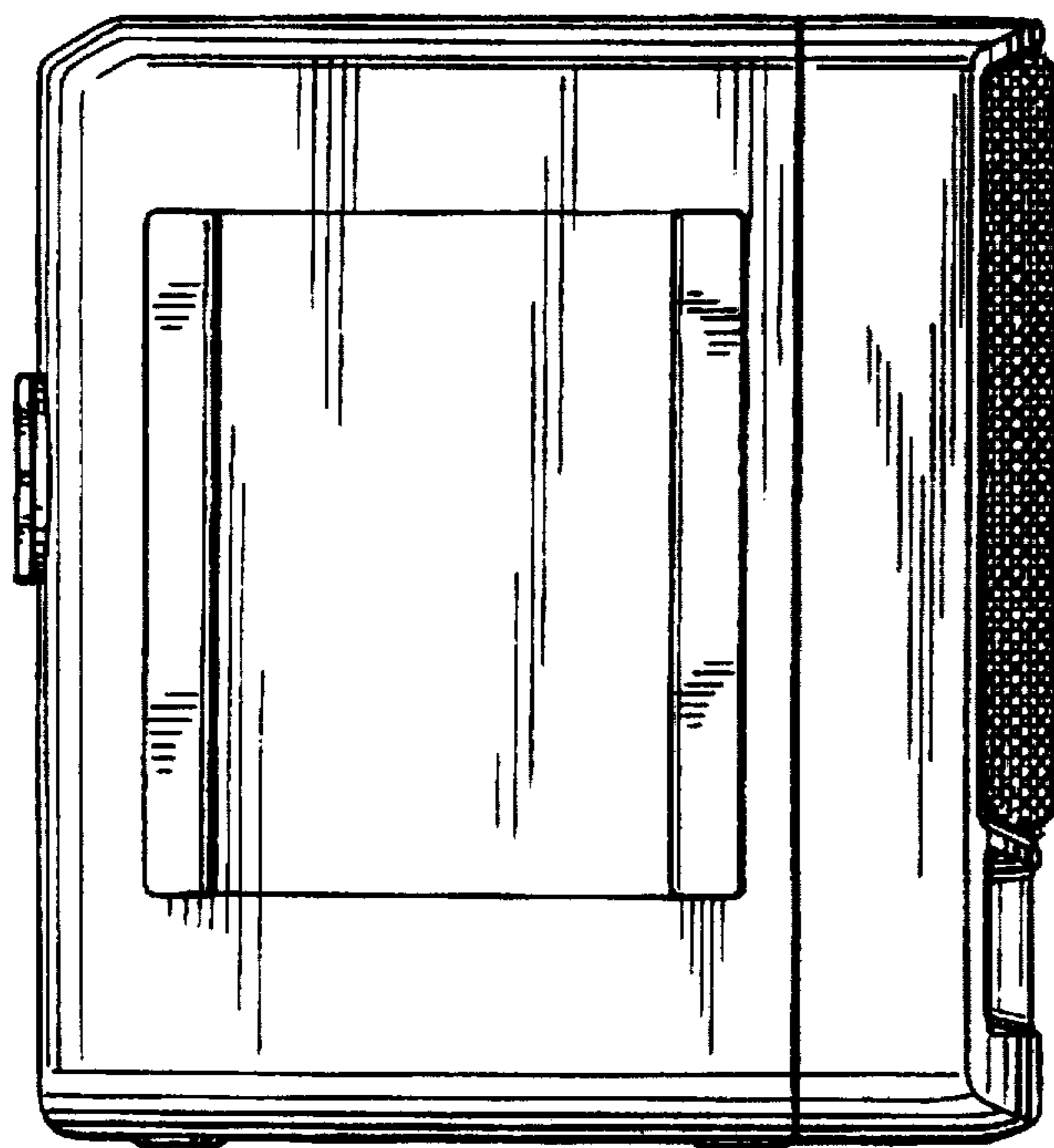


FIG. 4

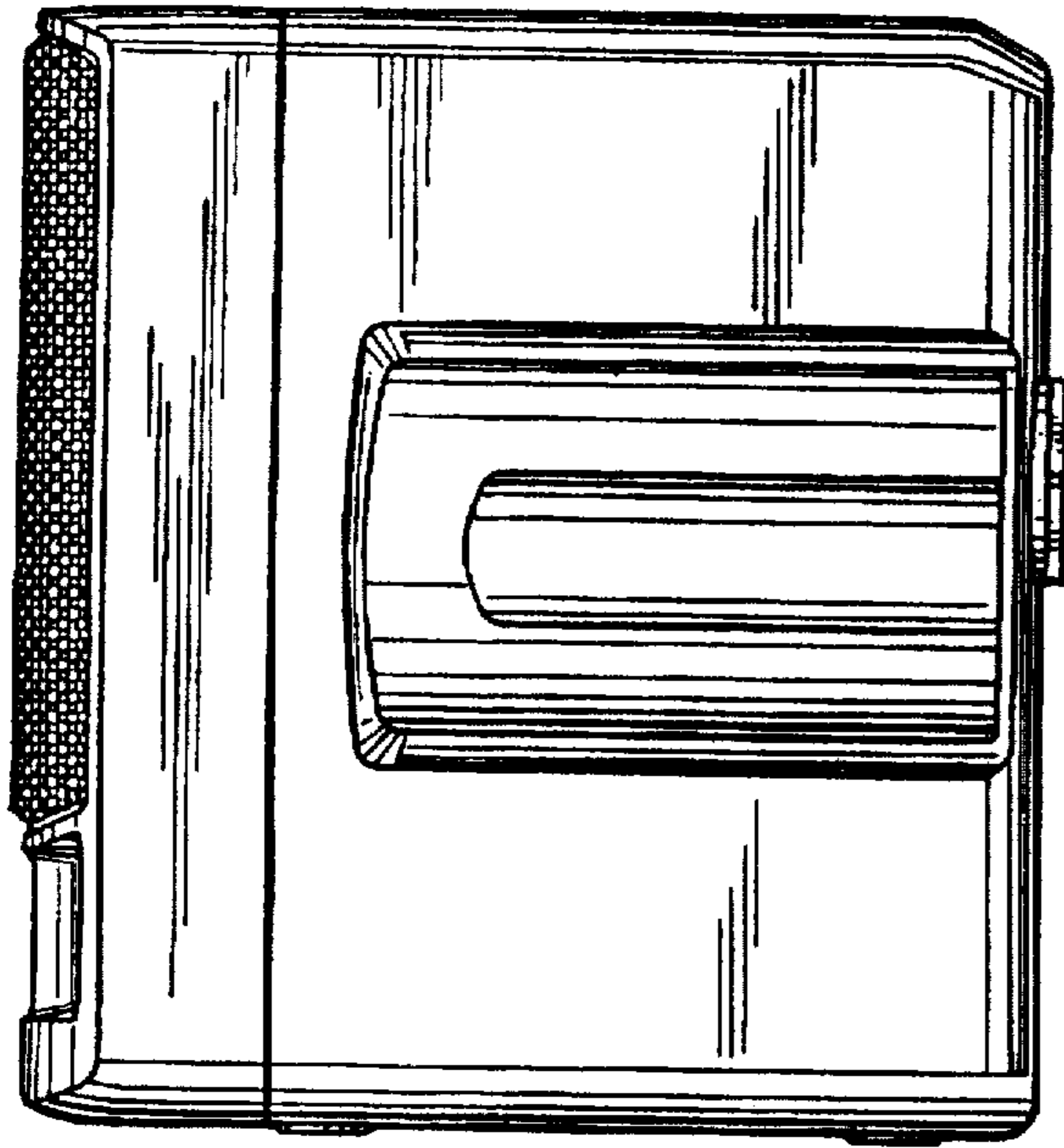


FIG. 5

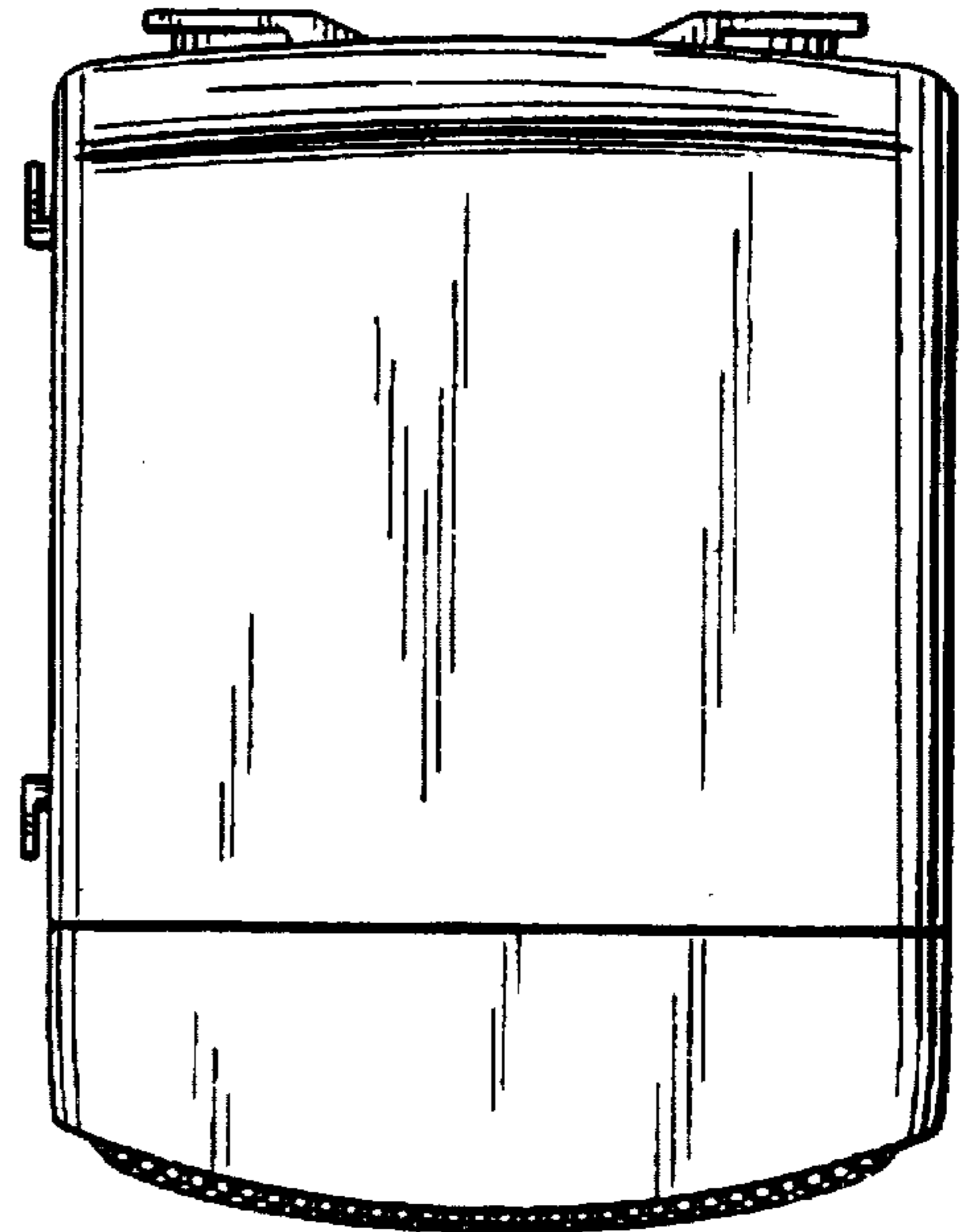


FIG. 6

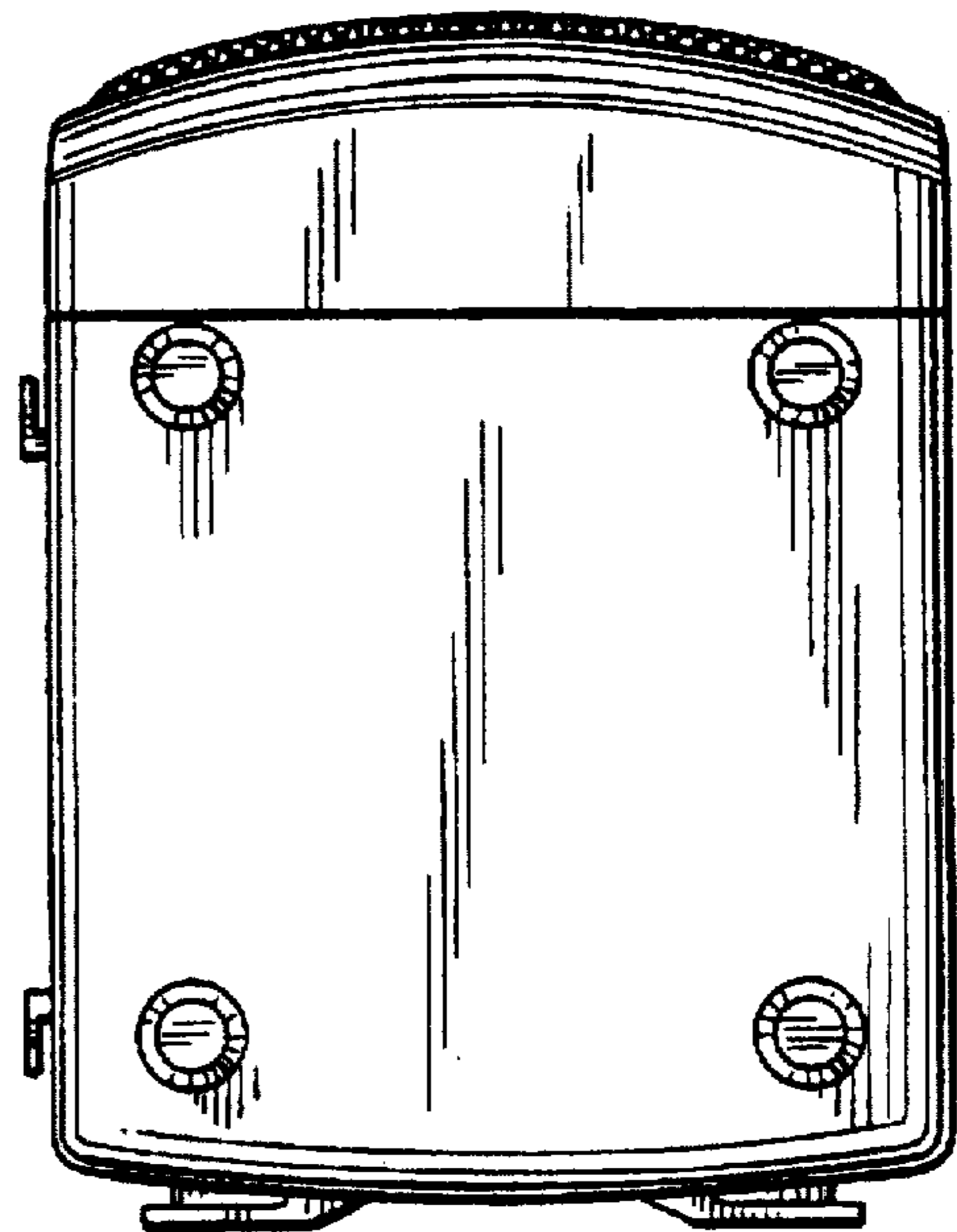


FIG. 7