

US00D392281S

United States Patent [19]
Poole et al.

[11] **Patent Number: Des. 392,281**
[45] **Date of Patent: **Mar. 17, 1998**

[54] **FRONT BEZEL FOR A DESKTOP PERSONAL COMPUTER**

[75] **Inventors: Anton Poole; James P. Collas**, both of Dakota Dunes, S. Dak.

[73] **Assignee: Gateway 2000, Inc.**, North Sioux City, S. Dak.

[**] **Term: 14 Years**

[21] **Appl. No.: 71,003**

[22] **Filed: May 7, 1997**

[51] **LOC (6) Cl. 14-02**

[52] **U.S. Cl. D14/115**

[58] **Field of Search** D14/100, 102, D14/107-109; D13/162, 184, 199; D6/432, 436, 445, 448; 312/254, 292; 360/97.01, 97.04, 98.01, 99.01, 99.12; 361/683, 694, 696

[56] **References Cited**

U.S. PATENT DOCUMENTS

D. 374,439 10/1996 Paterson et al. D14/115

Primary Examiner—Freda Nunn
Attorney, Agent, or Firm—Schwegman, Lundberg, Woessner & Kluth, P.A.

[57] **CLAIM**

The ornamental design for a front bezel for a desktop personal computer, as shown and described.

DESCRIPTION

FIG. 1 is a top front and side perspective view of a front bezel for a desktop personal computer incorporating a design according to the invention the opposite side being identical in appearance;

FIG. 2 is a rear elevation of the front bezel of FIG. 1;

FIG. 3 is a horizontal section of the front bezel of FIG. 1, taken along line 3—3 in FIG. 2;

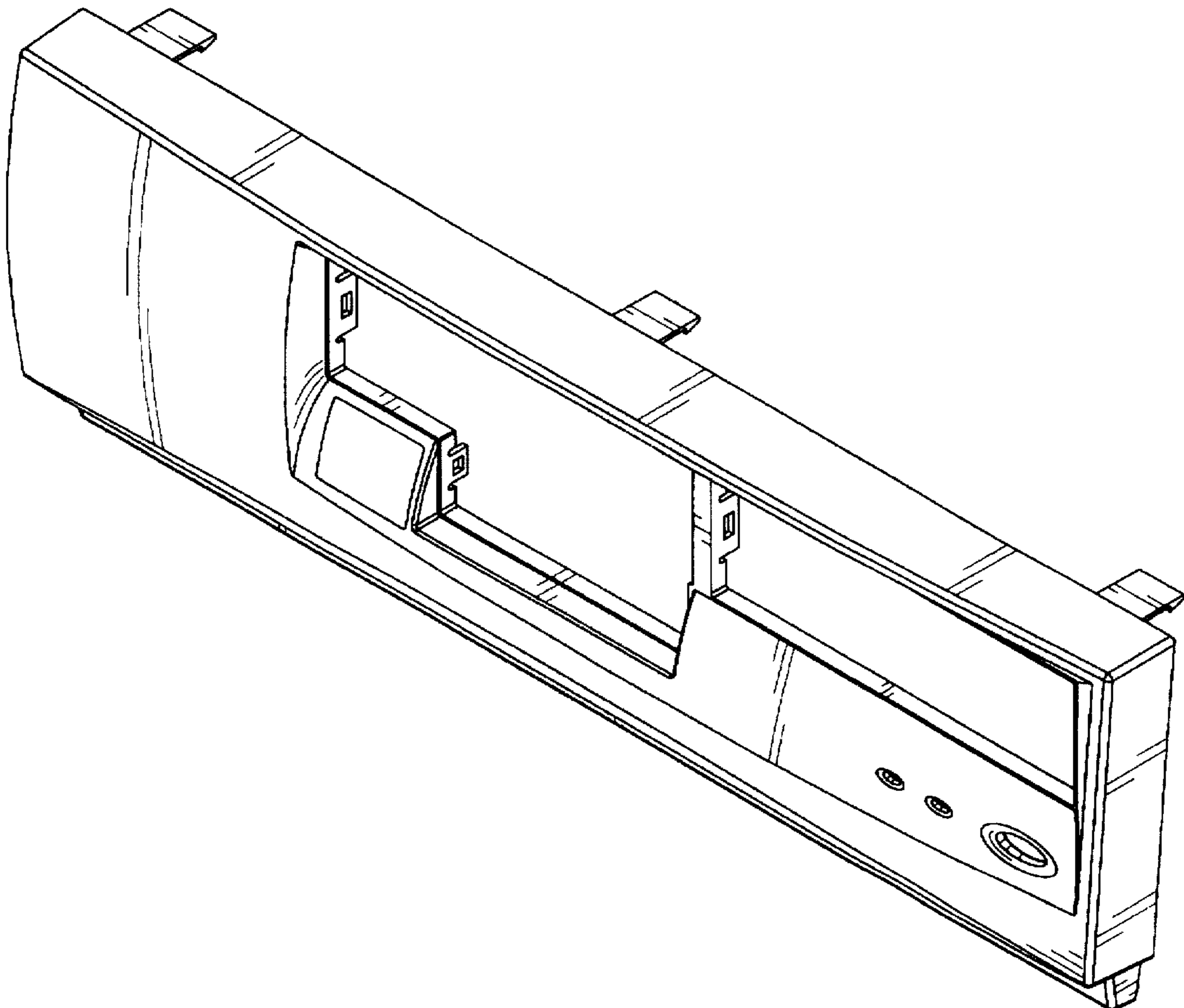
FIG. 4 is a vertical section of the front bezel of FIG. 1, taken along line 4—4 in FIG. 2;

FIG. 5 is a bottom plan of the front bezel of FIG. 1; and,

FIG. 6 is a perspective partial view of a personal computer including the front bezel of FIG. 1.

The broken lines in FIG. 6 are shown for illustrative purposes only, and form no part of the claimed design.

1 Claim, 5 Drawing Sheets



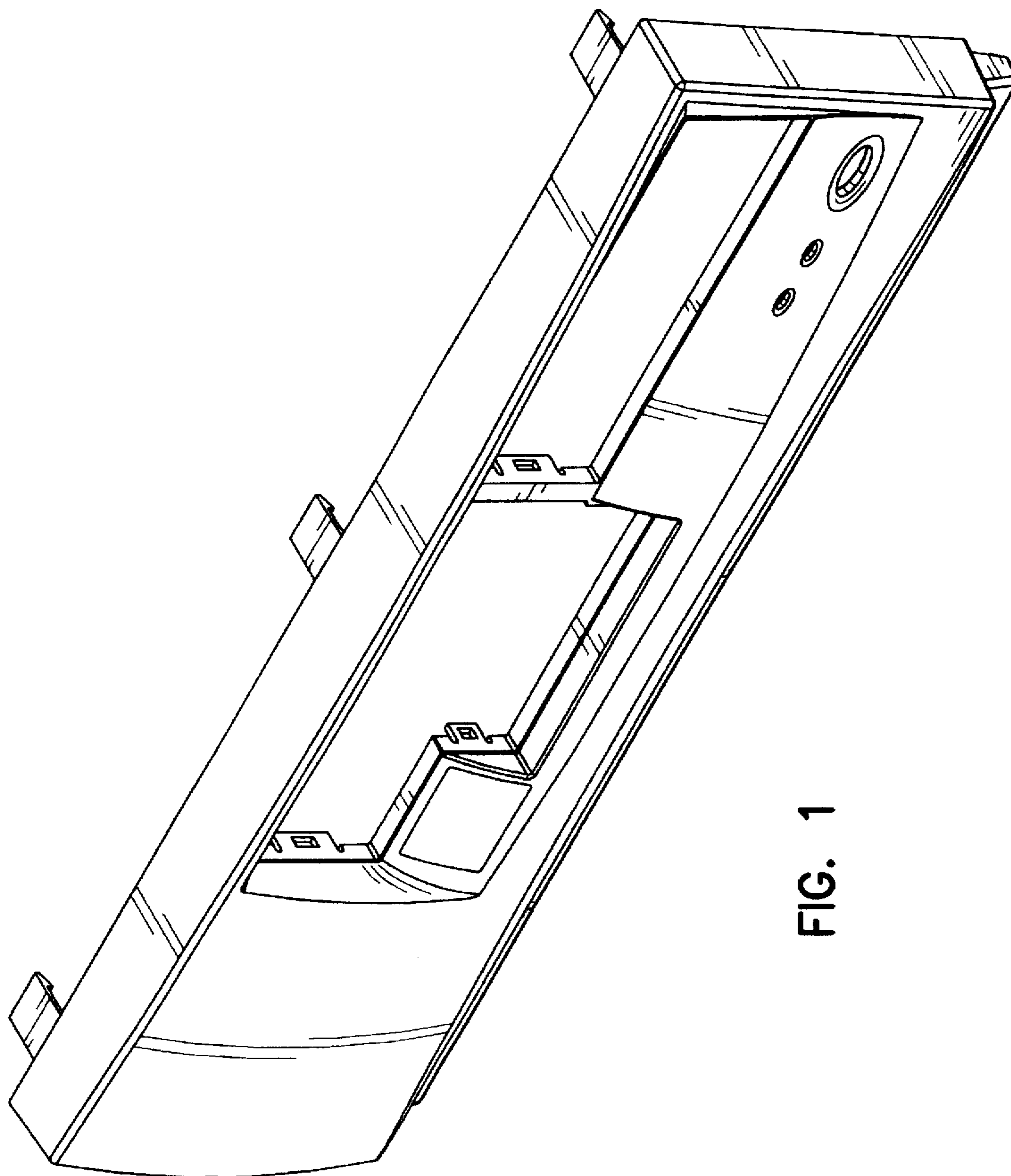


FIG. 1

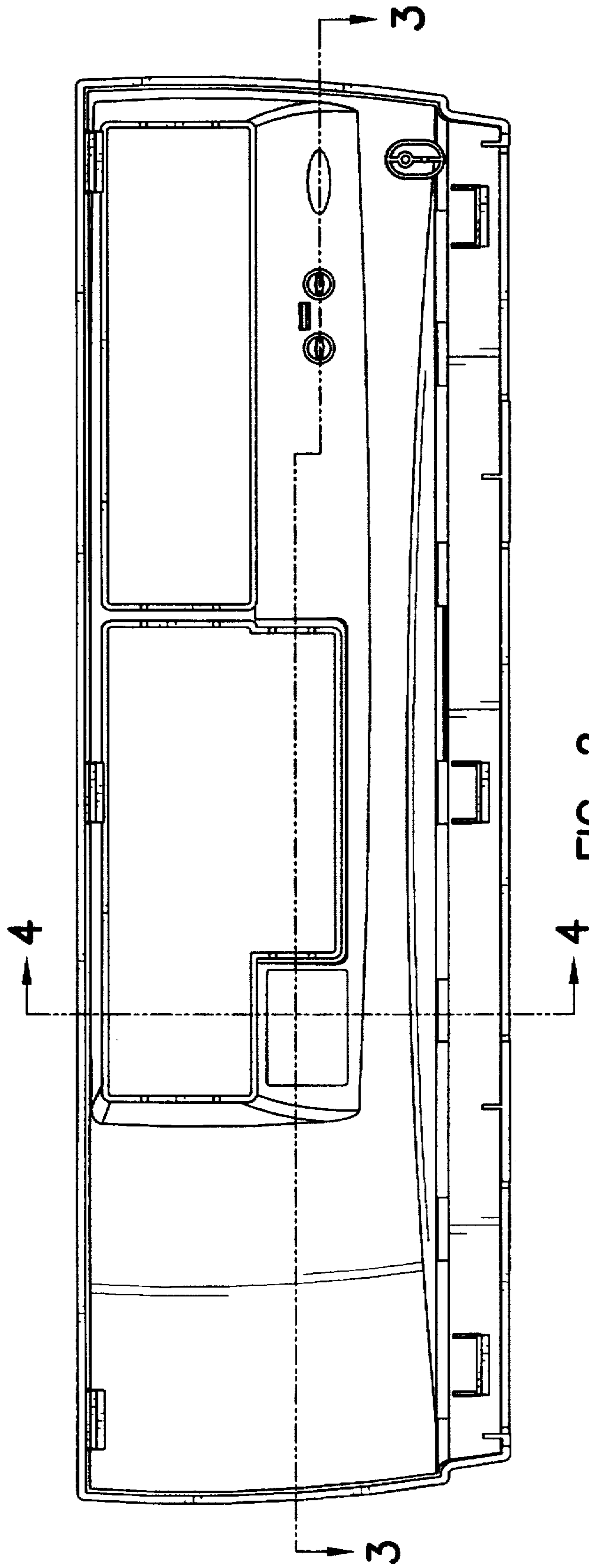


FIG. 2

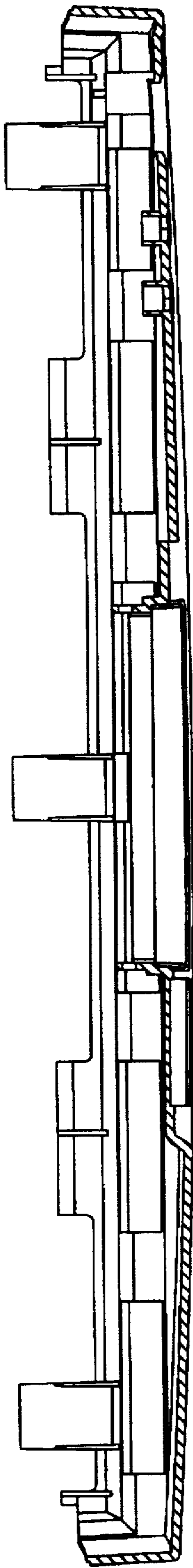


FIG. 3

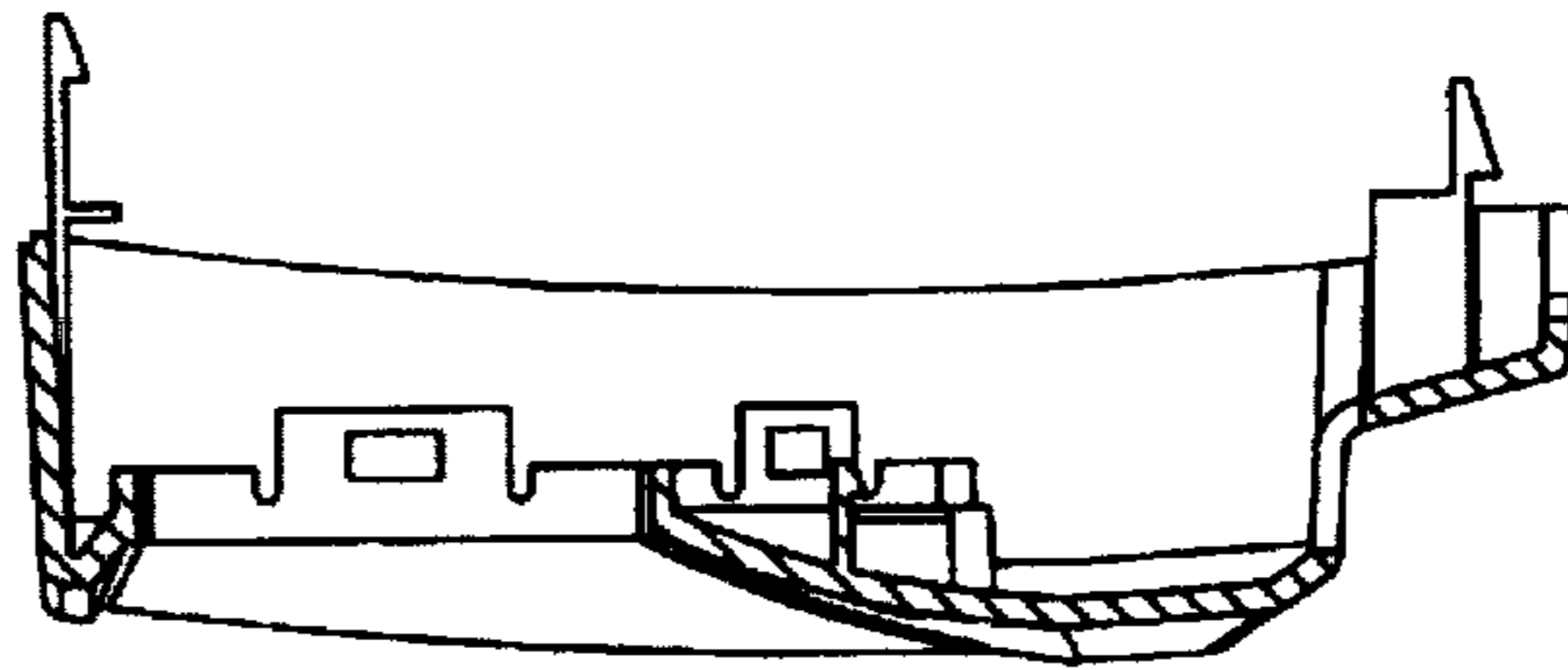


FIG. 4

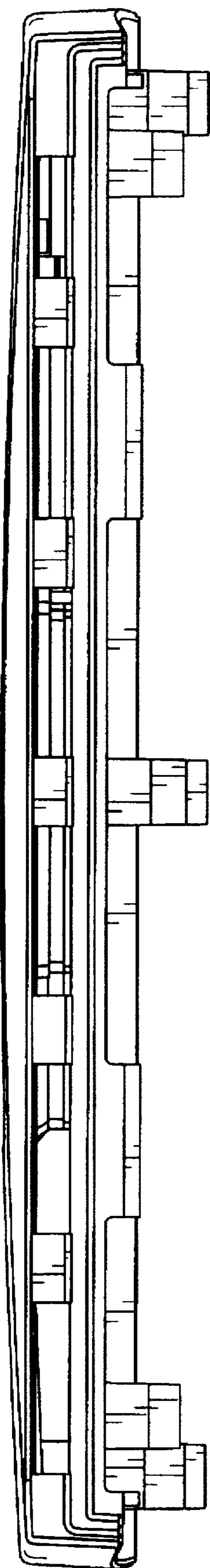


FIG. 5

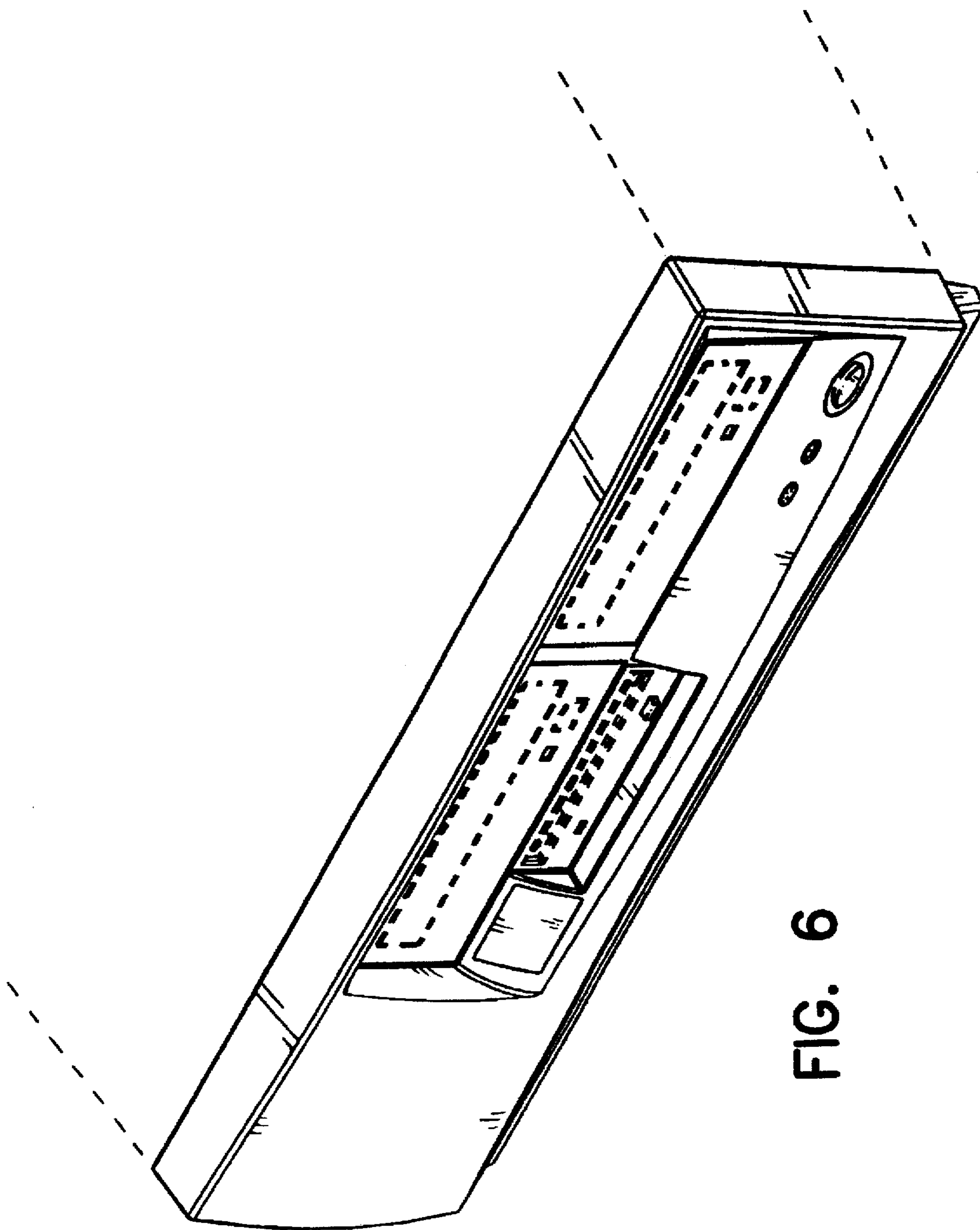


FIG. 6