



US00D392257S

United States Patent [19]

Lecheler et al.

[11] Patent Number: Des. 392,257

[45] Date of Patent: **Mar. 17, 1998

[54] **HOUSING FOR A LAMP OPERATION CIRCUIT**

[75] Inventors: **Reinhard Lecheler**, Neuburg an der Donau; **Theodor Kiermeier**, München, both of Germany

[73] Assignee: **Osram Sylvania Inc.**, Danvers, Mass.

[**] Term: **14 Years**

[21] Appl. No.: **60,017**

[22] Filed: **Sep. 19, 1996**

[30] **Foreign Application Priority Data**

Mar. 28, 1996 [DE] Germany M 96 02 967.6

[51] LOC (6) Cl. **13-03**

[52] U.S. Cl. **D13/184; D13/123**

[58] Field of Search D13/123, 184; 313/493, 634; 315/57, 58, 82, 248, 276, DIG. 5, DIG. 7; 336/65; 361/674; 439/76.1

[56] **References Cited**

U.S. PATENT DOCUMENTS

| | | | |
|------------|--------|--------------------------|----------|
| D. 377,339 | 1/1997 | Beruscha et al. | D13/184 |
| 4,460,883 | 7/1984 | Van Der Hoek et al. | 315/82 X |
| 4,729,740 | 3/1988 | Crowe et al. | 439/76.1 |
| 4,897,627 | 1/1990 | Van Wagener et al. | 336/65 |
| 5,107,186 | 4/1992 | Ihara | 315/276 |

| | | | |
|-----------|--------|----------------------|---------|
| 5,382,876 | 1/1995 | Sugasawa et al. | 315/82 |
| 5,446,617 | 8/1995 | Blocher et al. | 361/674 |

Primary Examiner—James Gandy
Assistant Examiner—Cathron B. Matta
Attorney, Agent, or Firm—Carlo S. Bessone

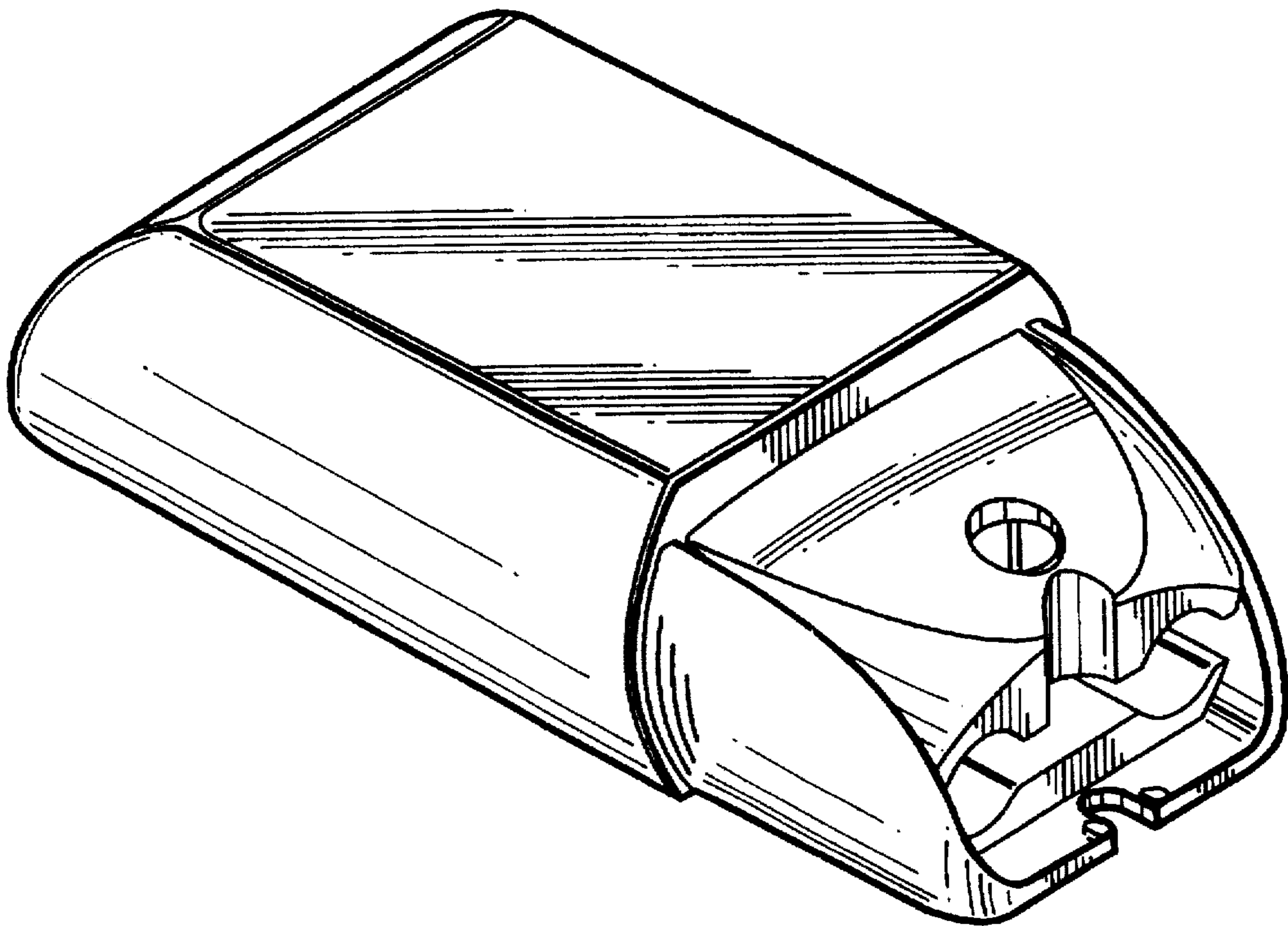
[57] **CLAIM**

The ornamental design for a housing for a lamp operation circuit, as shown and described.

DESCRIPTION

FIG. 1 is a front perspective view of a housing for a lamp operation circuit showing our new design; FIG. 2 is a rear perspective view thereof; FIG. 3 is a front elevational view thereof; FIG. 4 is a rear elevational view thereof; FIG. 5 is a right side elevational view thereof; FIG. 6 is a left side elevational view thereof; FIG. 7 is a top plan view thereof; FIG. 8 is a bottom plan view thereof; FIG. 9 is a front perspective view of a second embodiment of our new design; FIG. 10 is a rear perspective view thereof; FIG. 11 is a front elevational view thereof; FIG. 12 is a rear elevational view thereof; FIG. 13 is a right side elevational view thereof; FIG. 14 is a left side elevational view thereof; FIG. 15 is a top plan view thereof; and, FIG. 16 is a bottom plan view thereof.

1 Claim, 16 Drawing Sheets



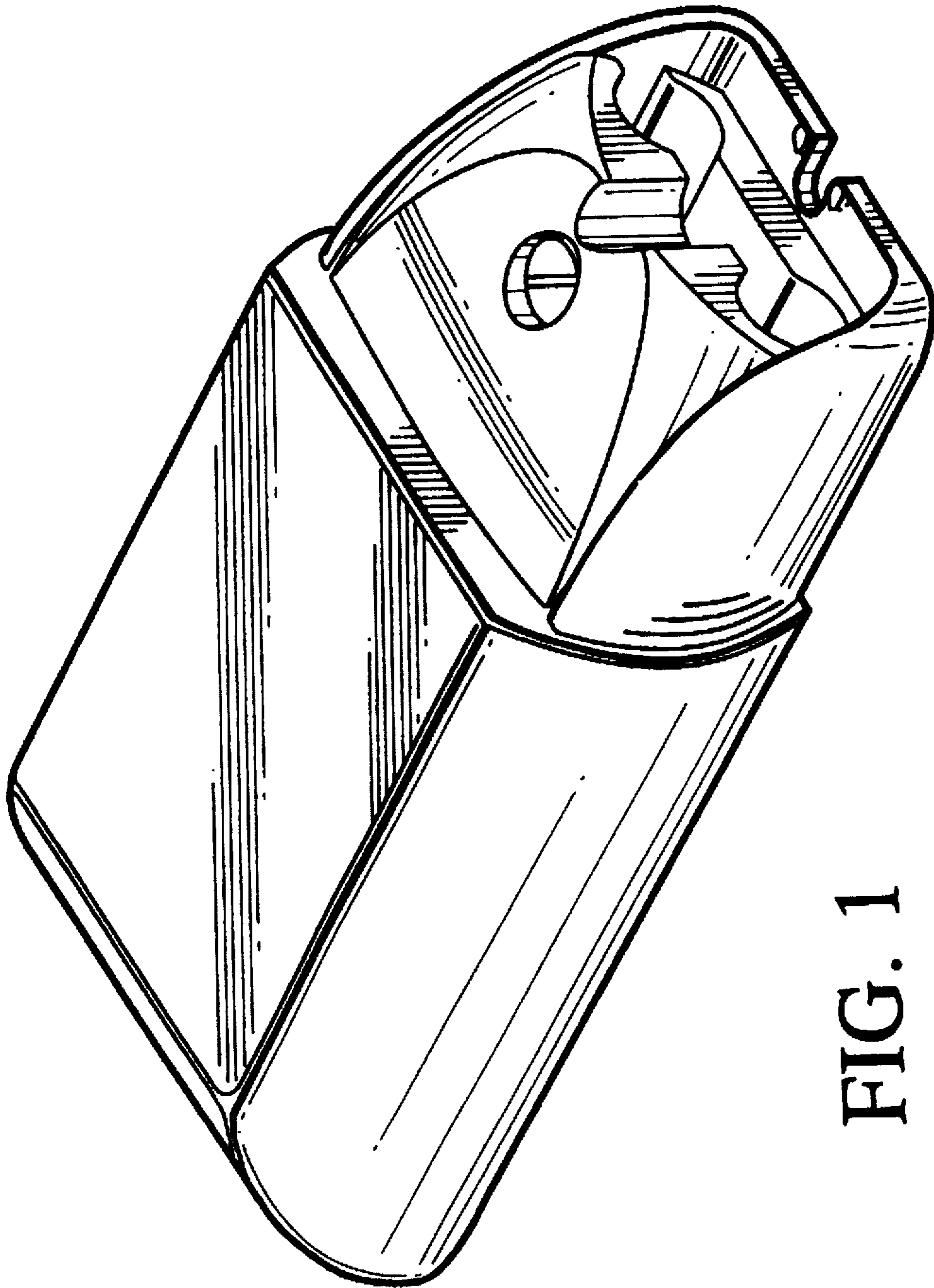


FIG. 1

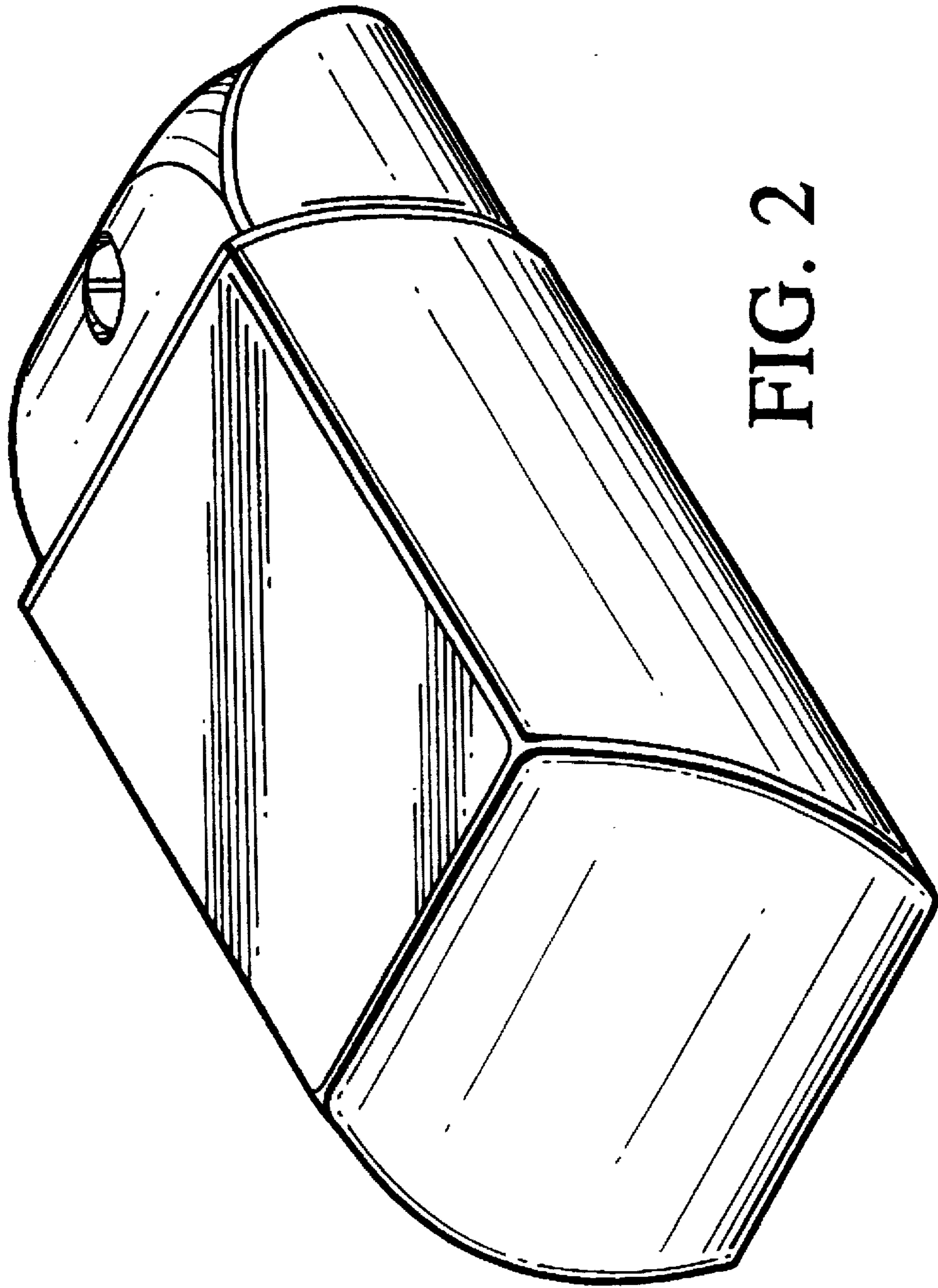


FIG. 2

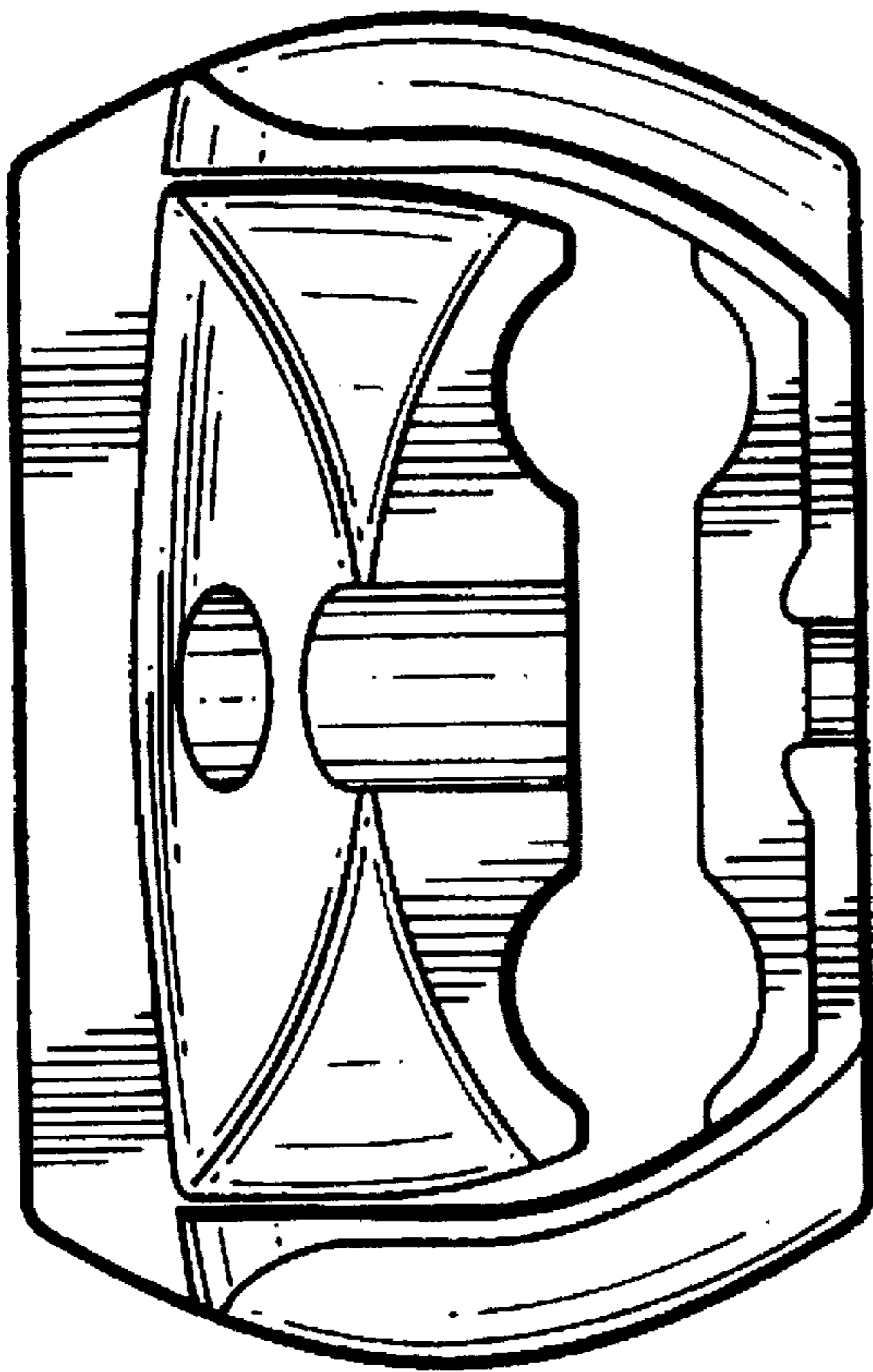


FIG. 3

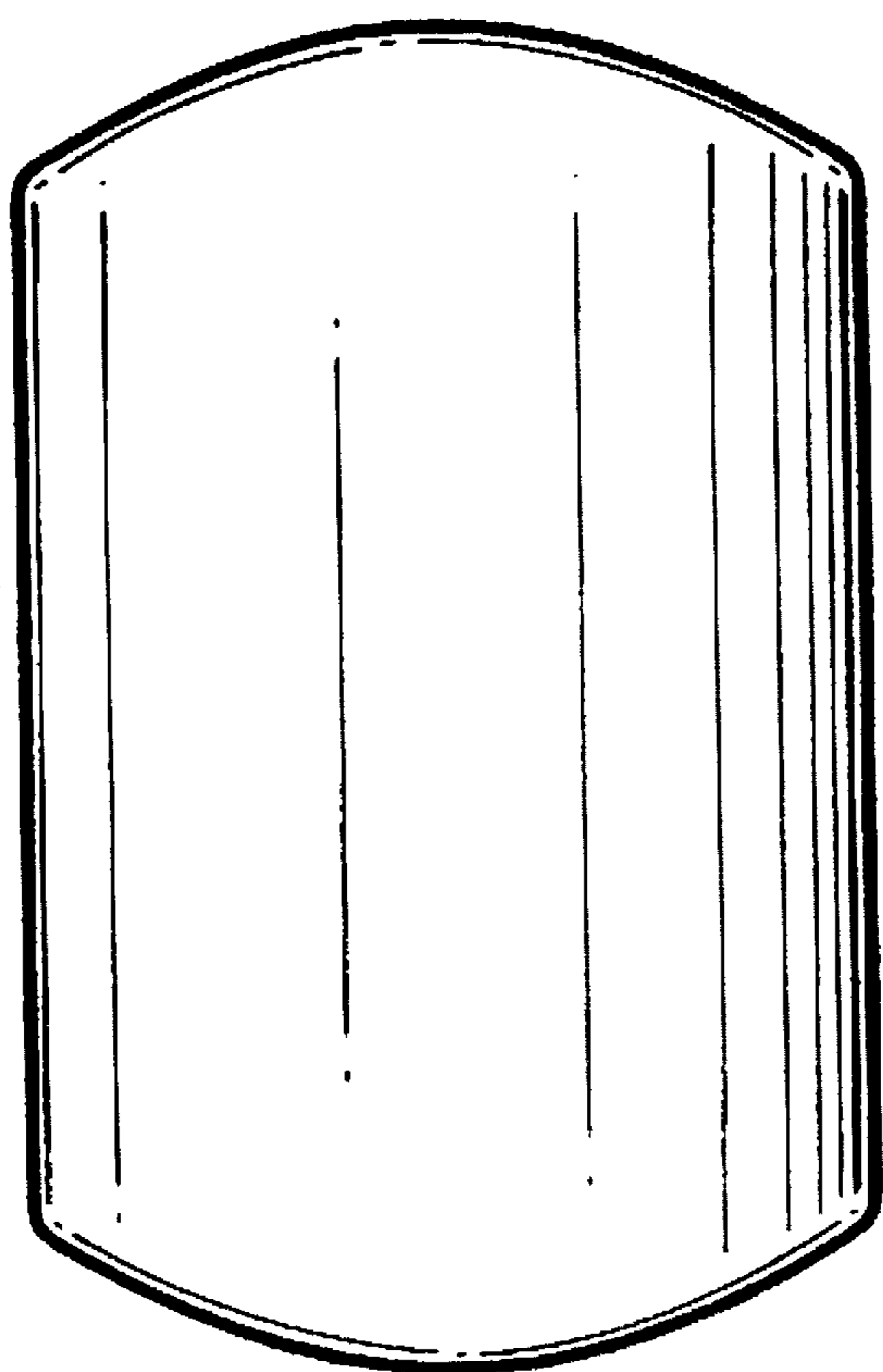


FIG. 4

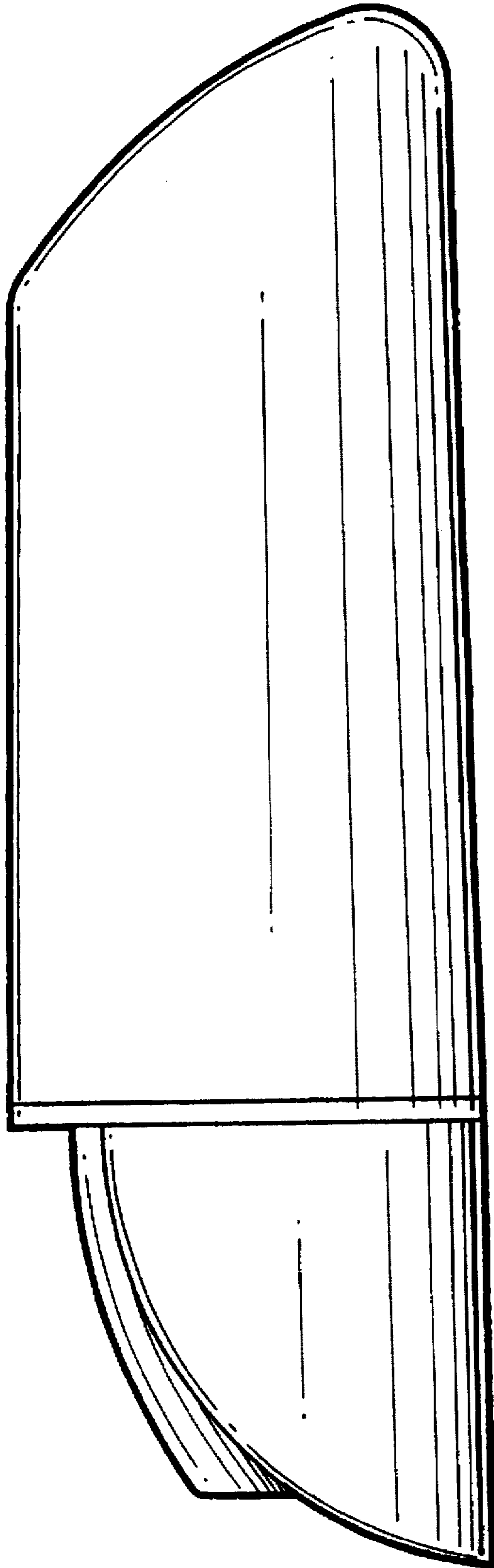


FIG. 5

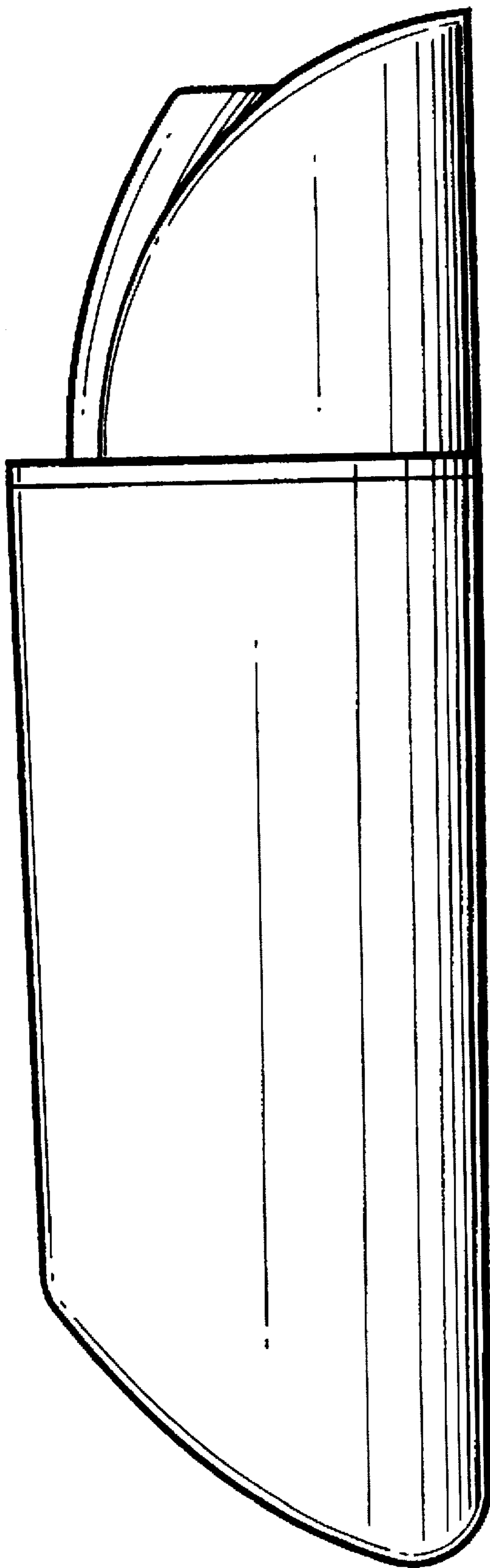


FIG. 6

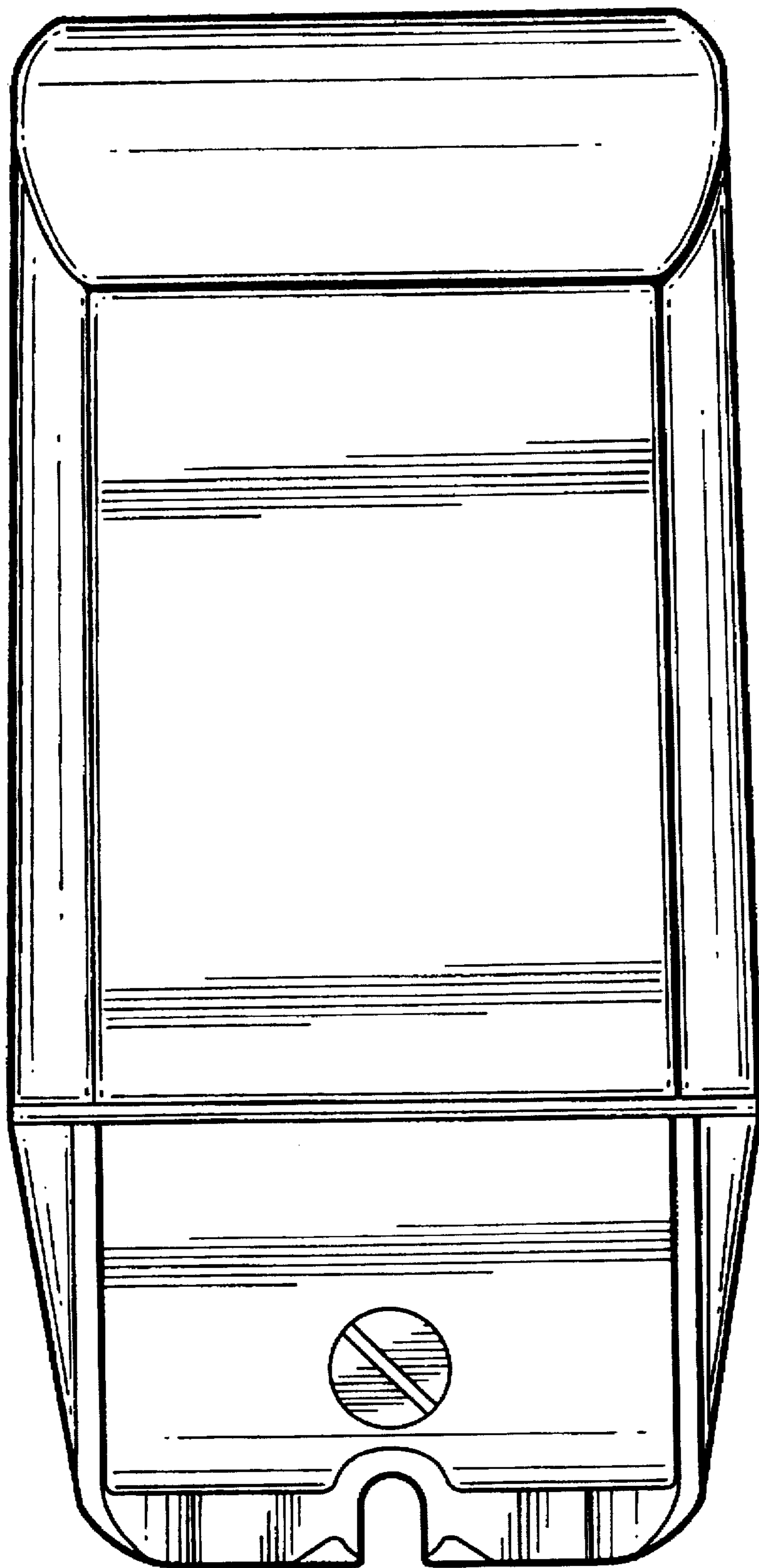


FIG. 7

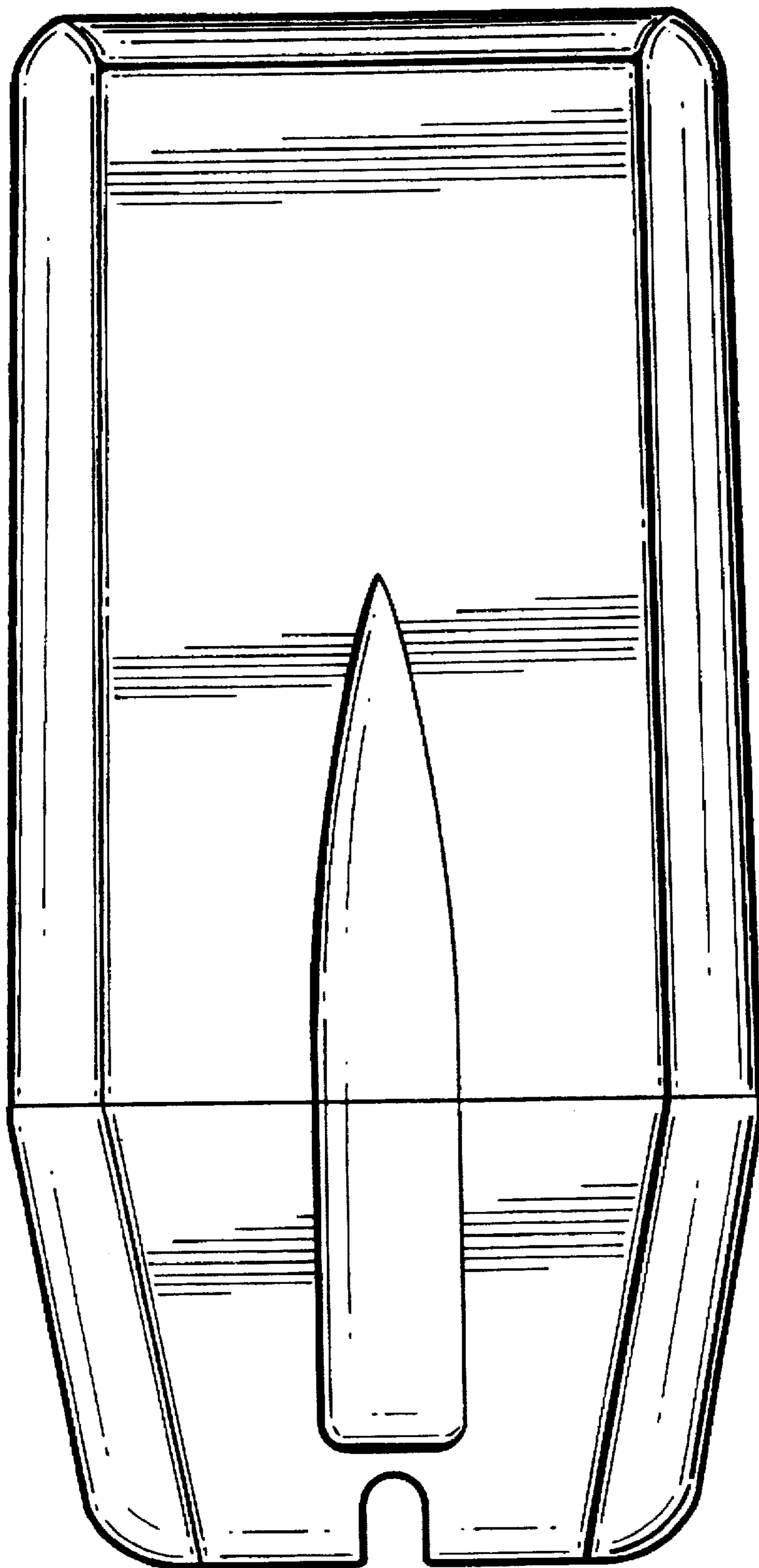


FIG. 8

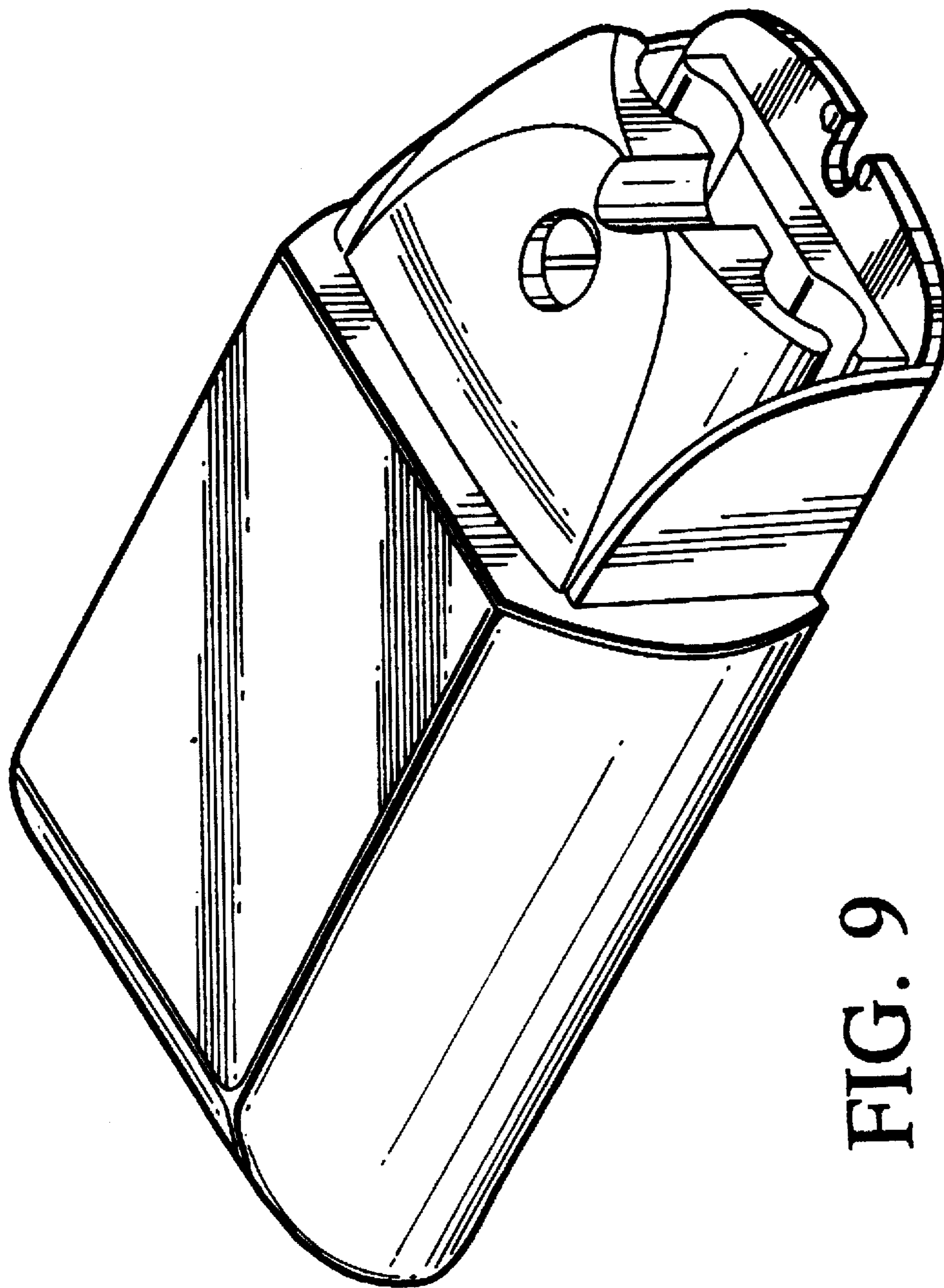


FIG. 9

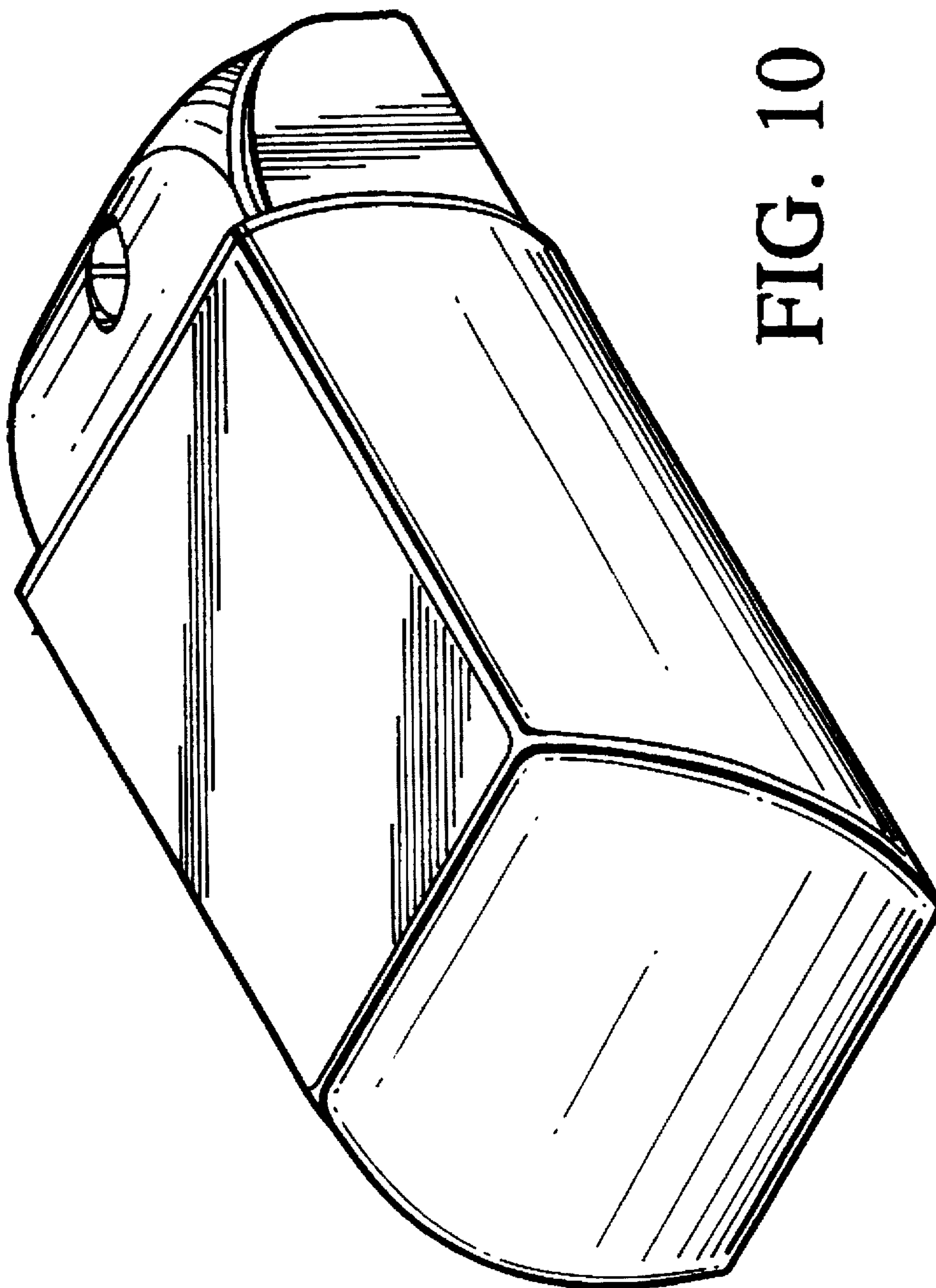


FIG. 10

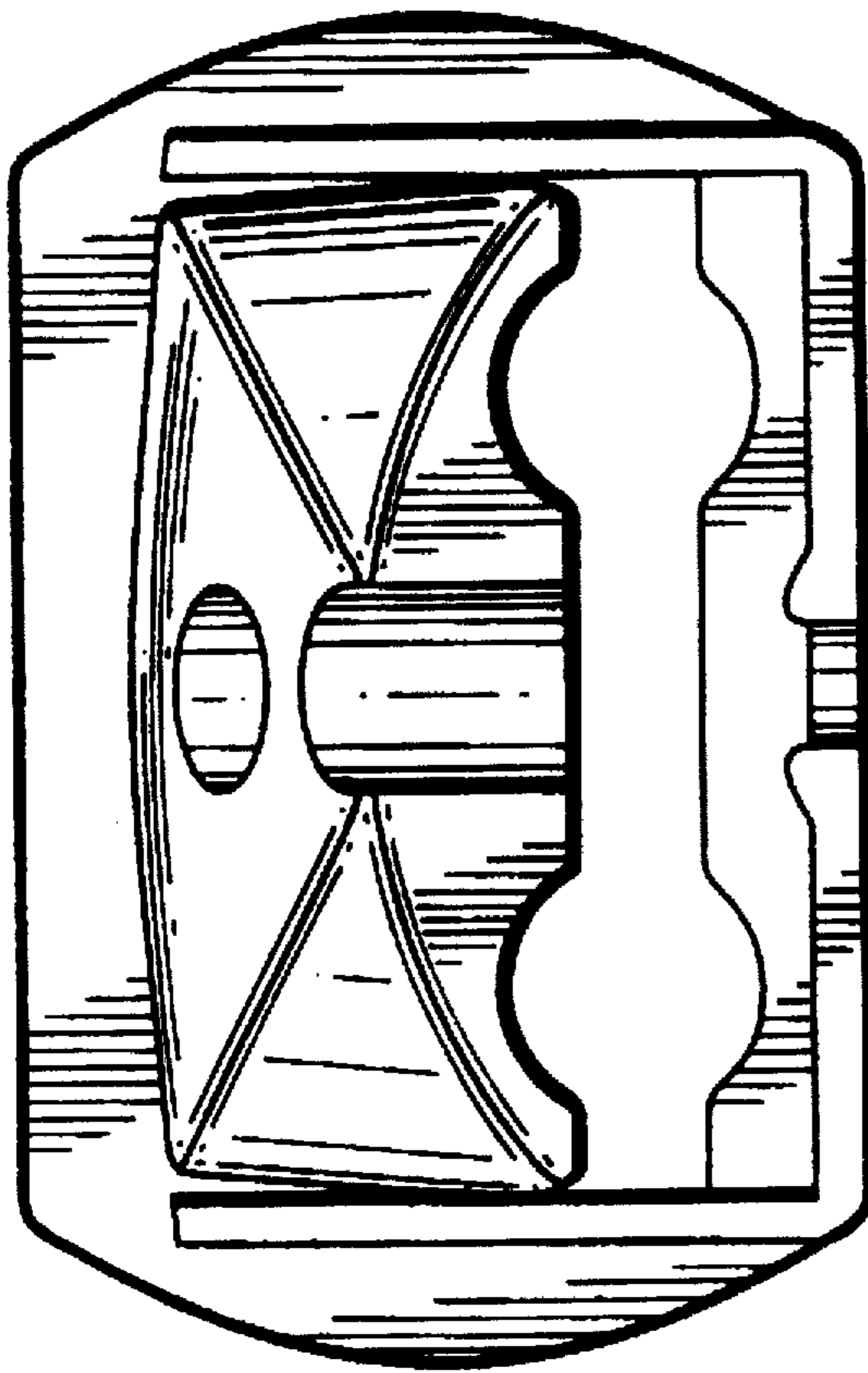


FIG. 11

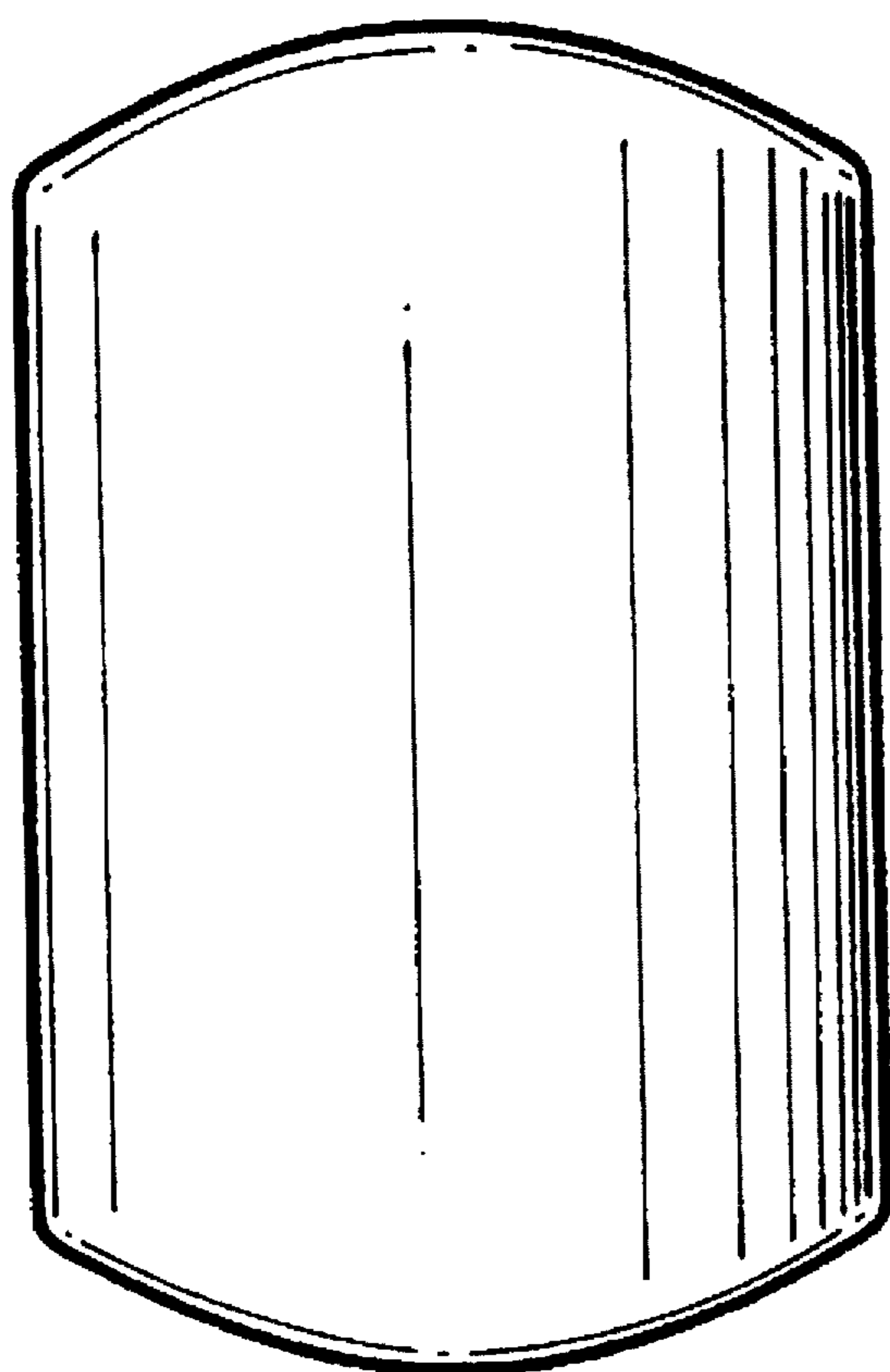


FIG. 12

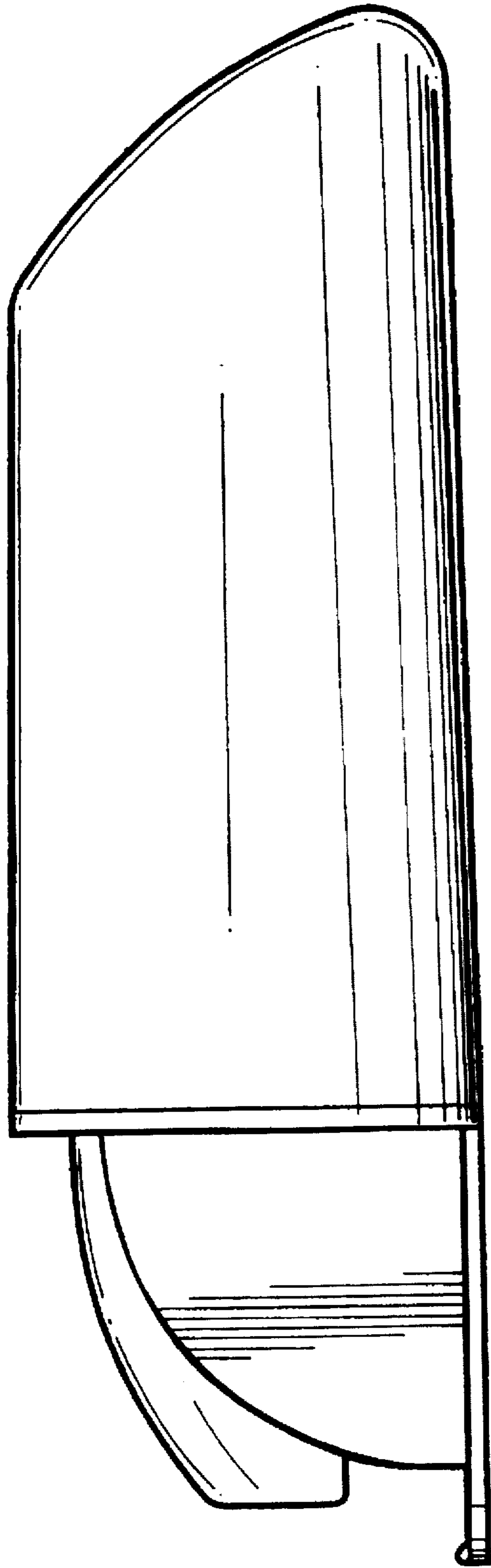


FIG. 13

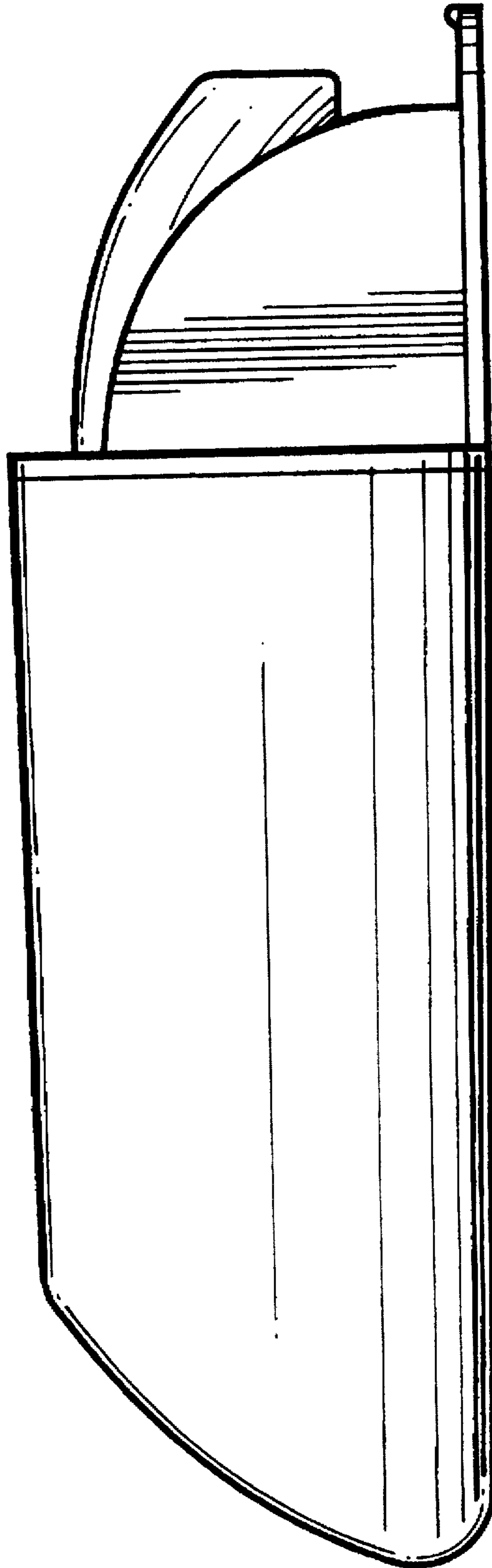


FIG. 14

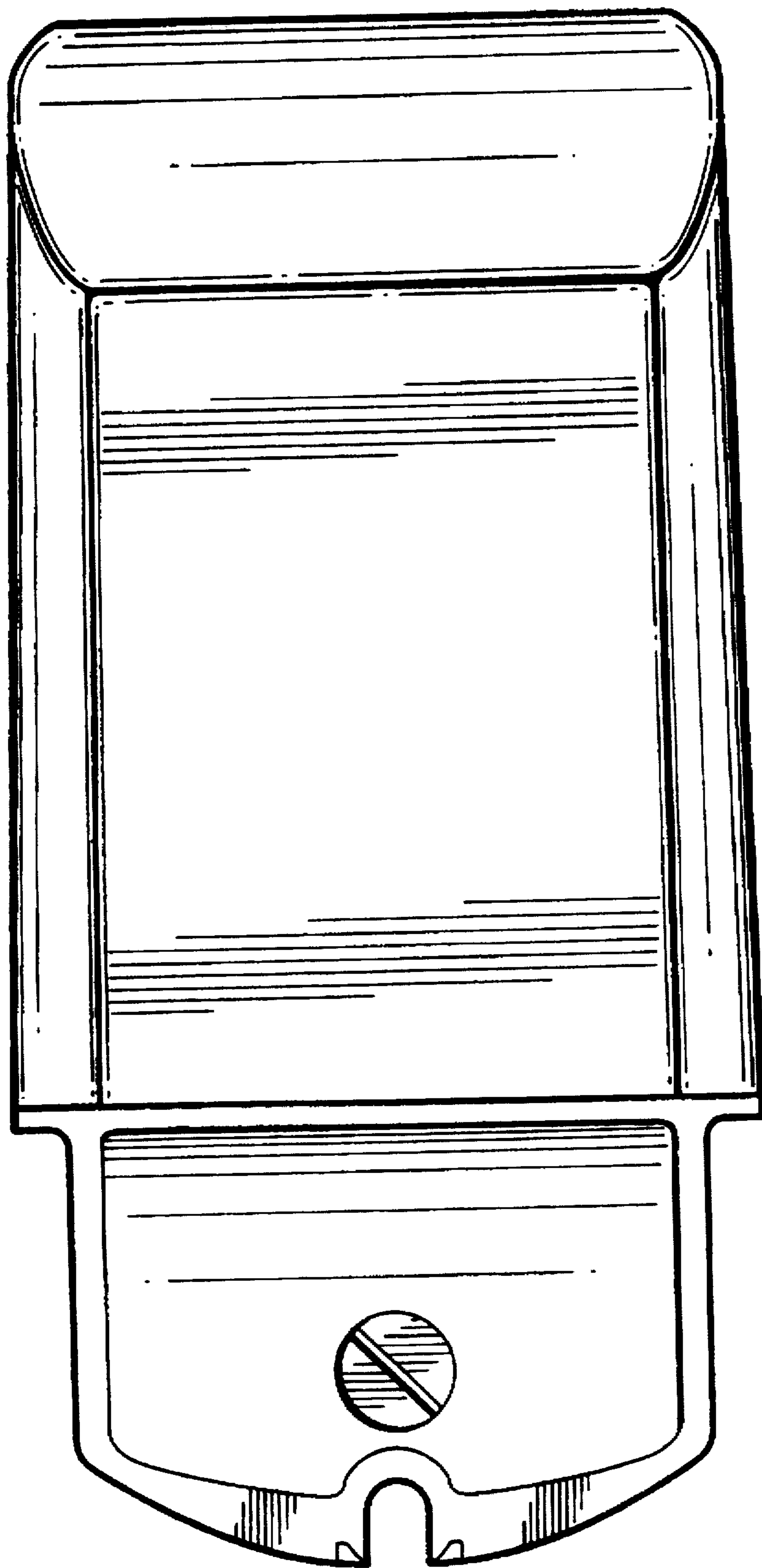


FIG. 15

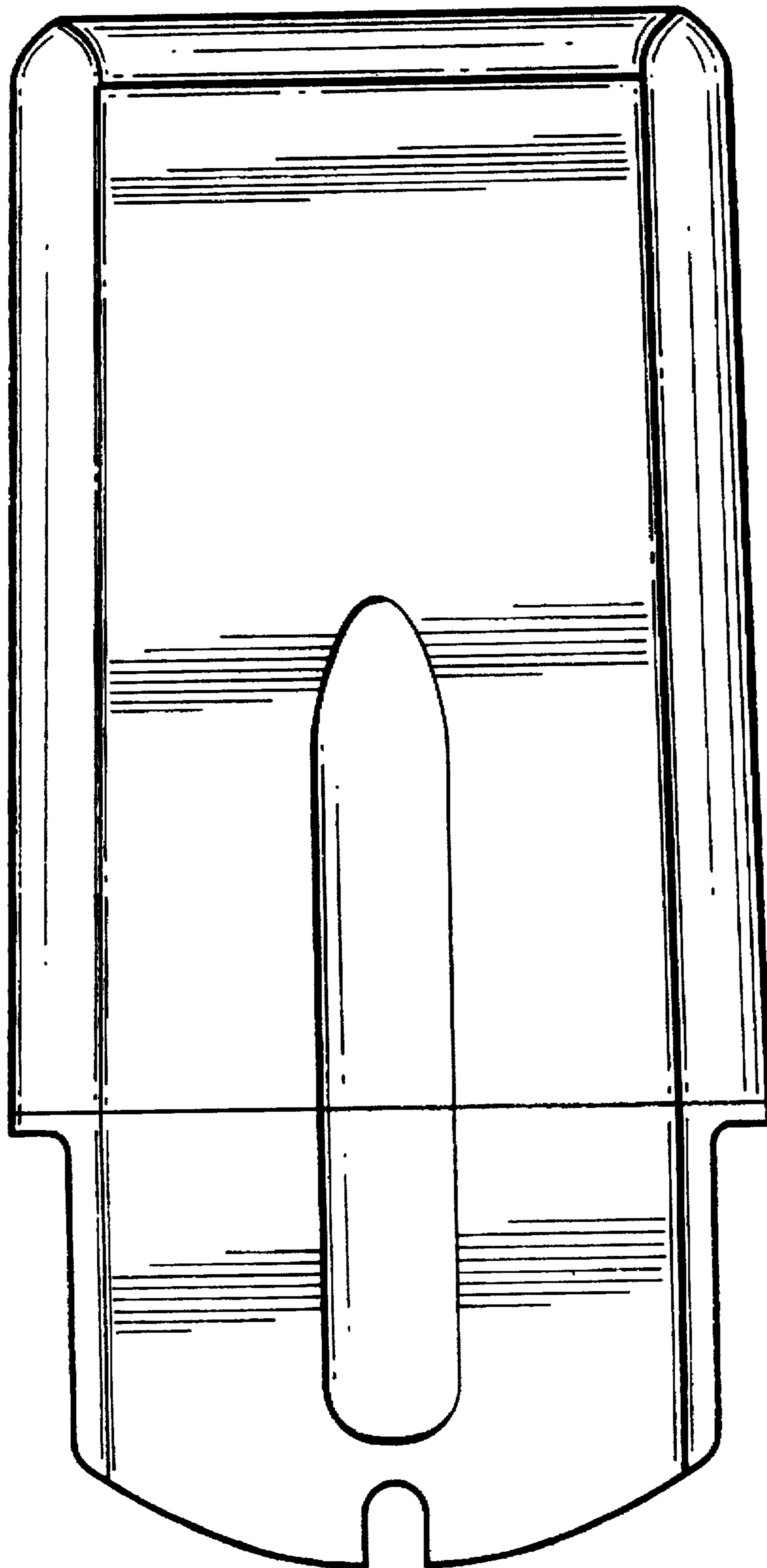


FIG. 16