



US00D392255S

# United States Patent [19]

[11] Patent Number: **Des. 392,255**

**Bethurum**

[45] Date of Patent: **\*\*Mar. 17, 1998**

## [54] IC CARD CONNECTOR

*Primary Examiner*—Joel Sincavage  
*Attorney, Agent, or Firm*—Freilich Hornbaker Rosen

[75] Inventor: **Gary Cain Bethurum**, Laguna Niguel, Calif.

## [57] CLAIM

[73] Assignee: **ITT Corporation**, New York, N.Y.

The ornamental design for an IC card connector, as shown and described.

[\*\*] Term: **14 Years**

## DESCRIPTION

[21] Appl. No.: **50,143**

FIG. 1 is a top and rear isometric view of an IC card connector showing my new design;

[22] Filed: **Feb. 9, 1996**

FIG. 2 is a top view thereof;

### Related U.S. Application Data

FIG. 3 is a bottom view thereof;

[63] Continuation-in-part of Ser. No. 169,682, Dec. 17, 1993, Pat. No. 5,411,402, and Ser. No. 21,260, Apr. 12, 1994, abandoned.

FIG. 4 is a front elevation view thereof;

FIG. 5 is a rear elevation view thereof;

[51] LOC (6) Cl. .... **13-03**

[52] U.S. Cl. .... **D13/147**

[58] Field of Search ..... D13/133, 146,  
D13/147; 439/347, 357, 358, 650, 652,  
682, 59, 77, 218, 493

FIG. 6 is a right side elevation view thereof, the left side being a mirror image thereof; and,

FIGS. 7-11 are views of another IC card connector, wherein the views of FIGS. 7-10 correspond to those of FIGS. 1-4 respectively, and the view of FIG. 11 corresponds to that of FIG. 12, but wherein FIGS. 7-11 show a different rear portion.

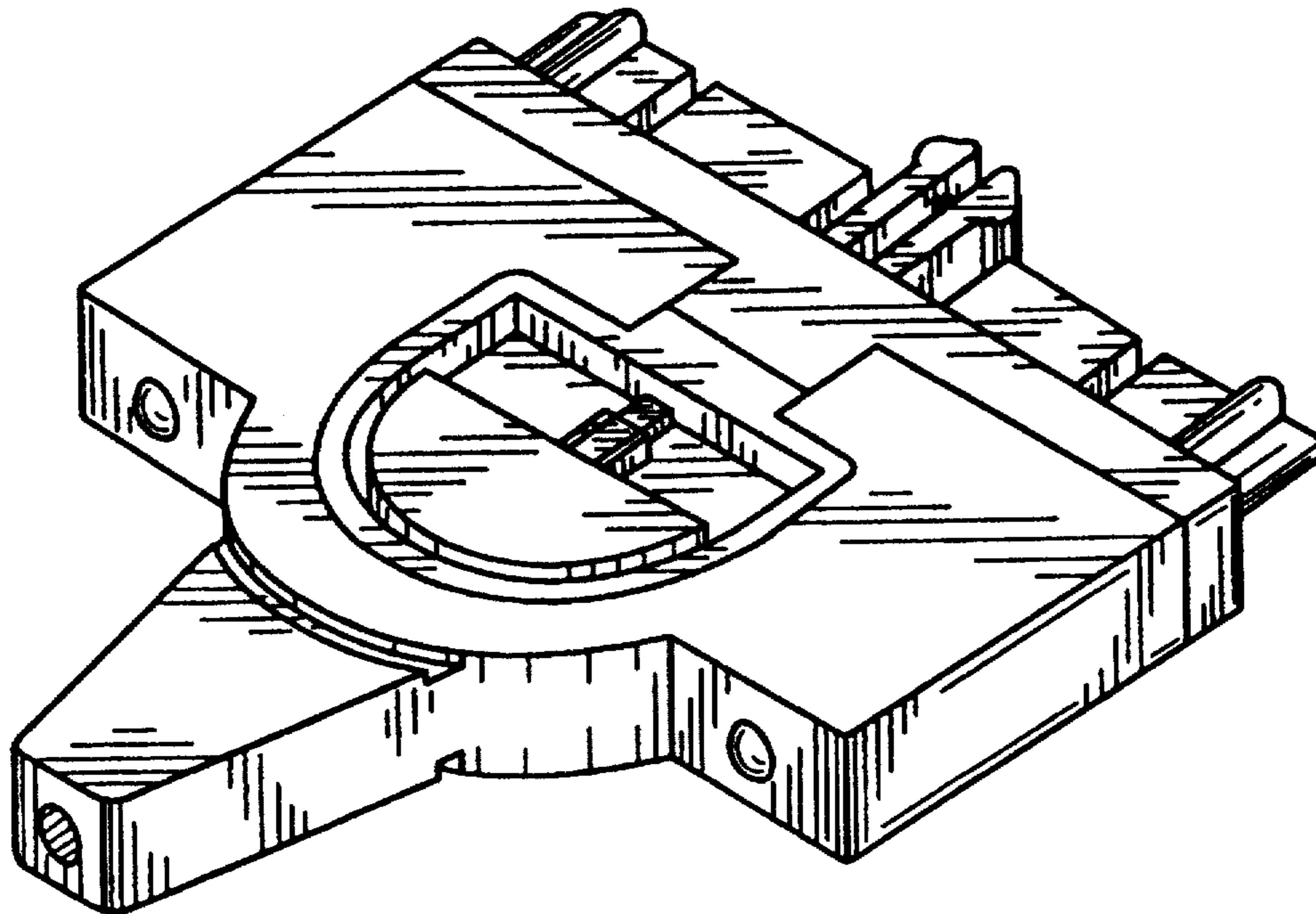
## [56] References Cited

The broken lines, which appear in FIGS. 1-3, 5 and 6 are only for the purpose of illustrating the article in which the design is embodied, with the broken lines marking the rear boundary of the claimed design. The broken lines form no part of the claimed design.

### U.S. PATENT DOCUMENTS

D. 359,027	6/1995	Willhite	.....	D13/147
D. 359,724	6/1995	Baginy	.....	D13/147
5,387,110	2/1995	Kantner et al.	.....	D13/147 X
5,411,402	5/1995	Bethurum	.....	439/77
5,486,117	1/1996	Chang	.....	439/357

**1 Claim, 2 Drawing Sheets**



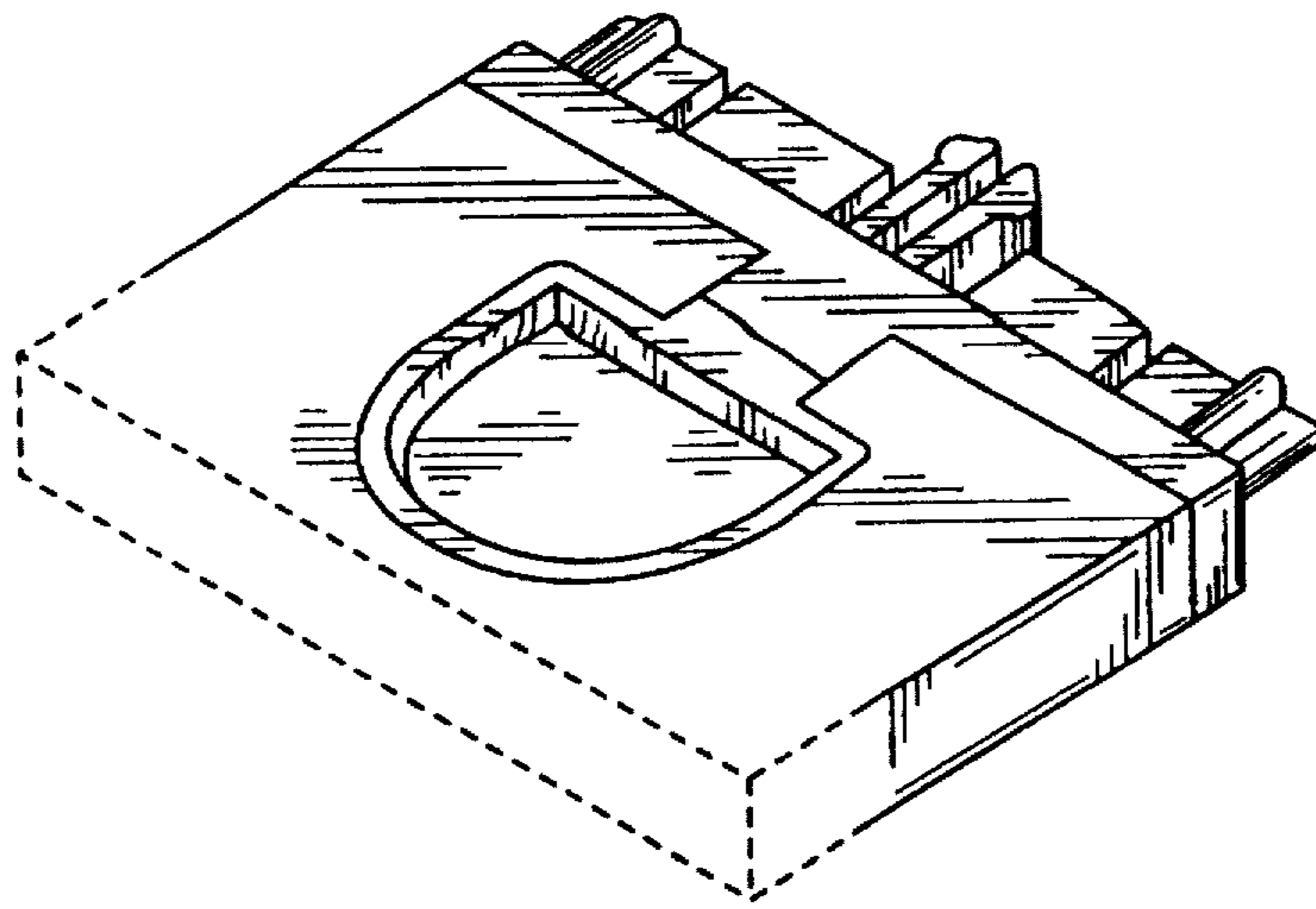


FIG. 1

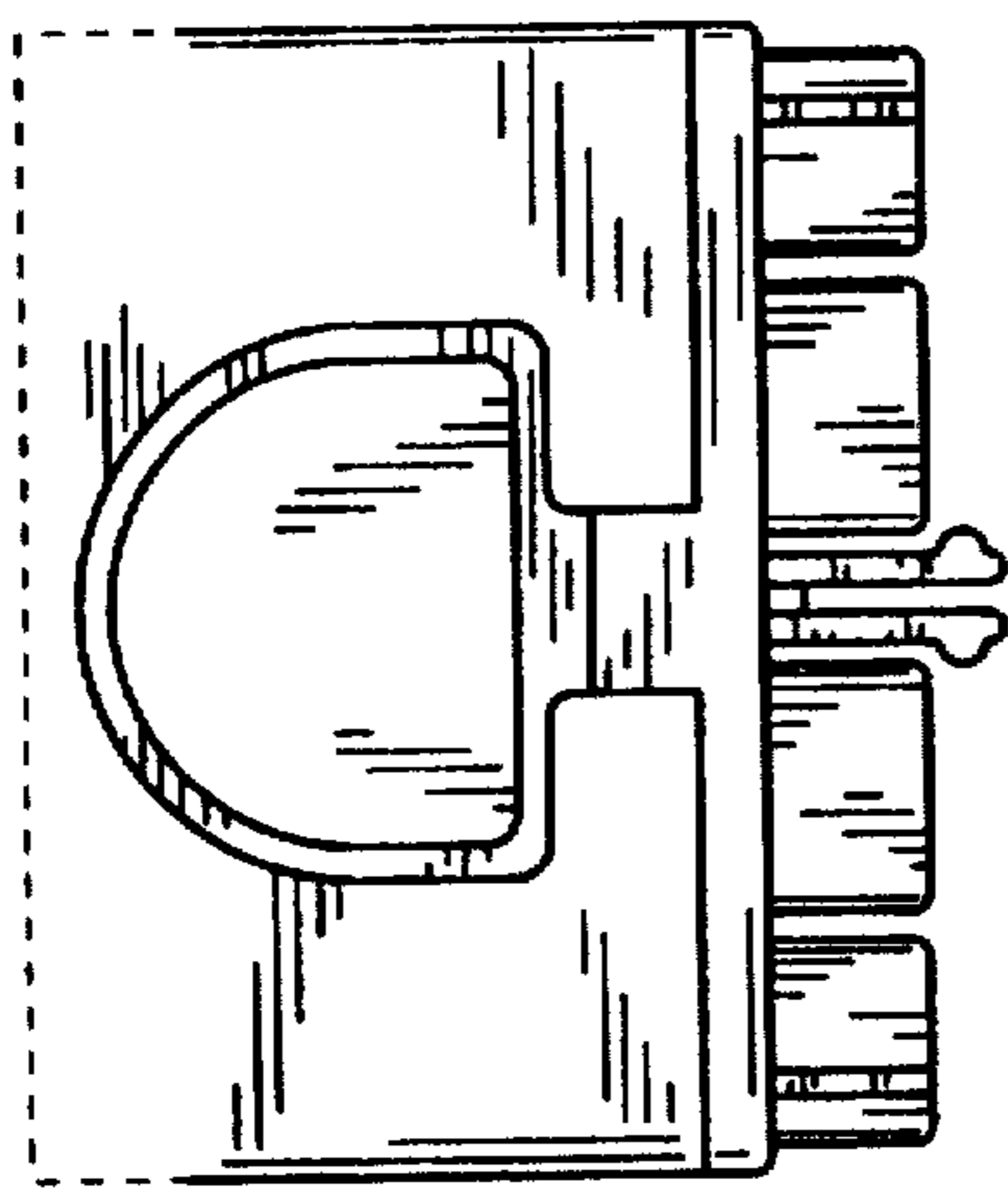


FIG. 2

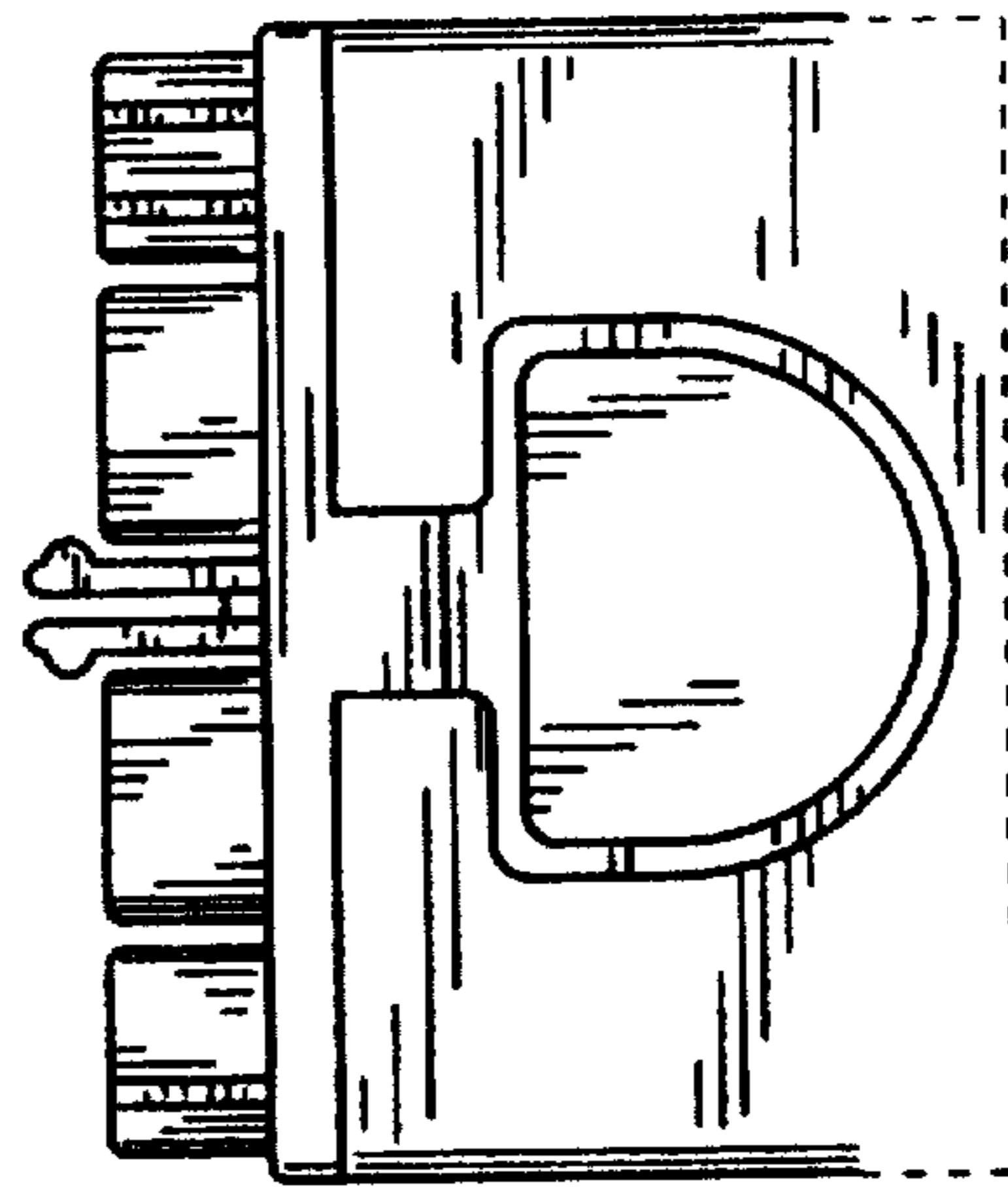


FIG. 3



FIG. 4



FIG. 5



FIG. 6

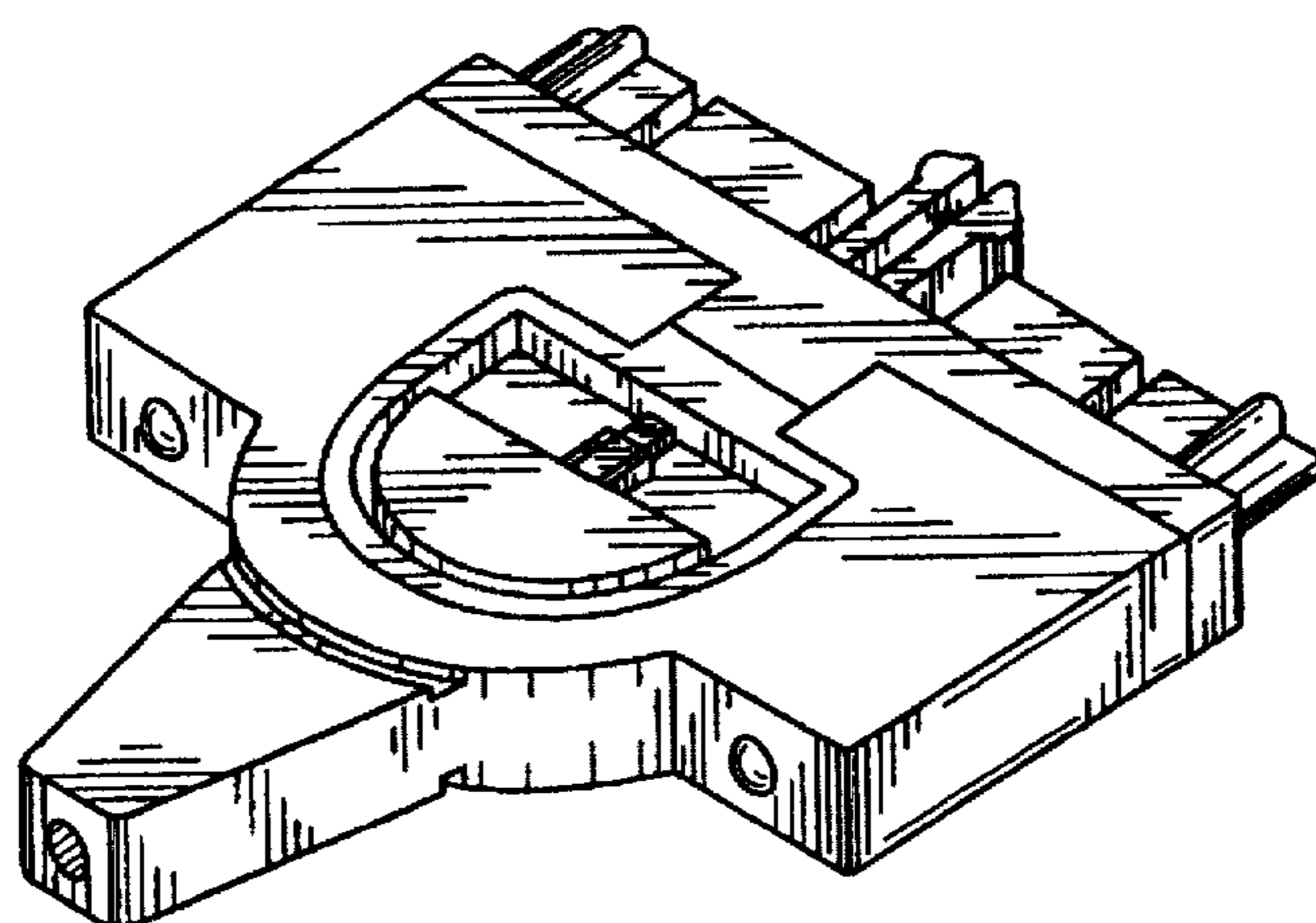


FIG. 7

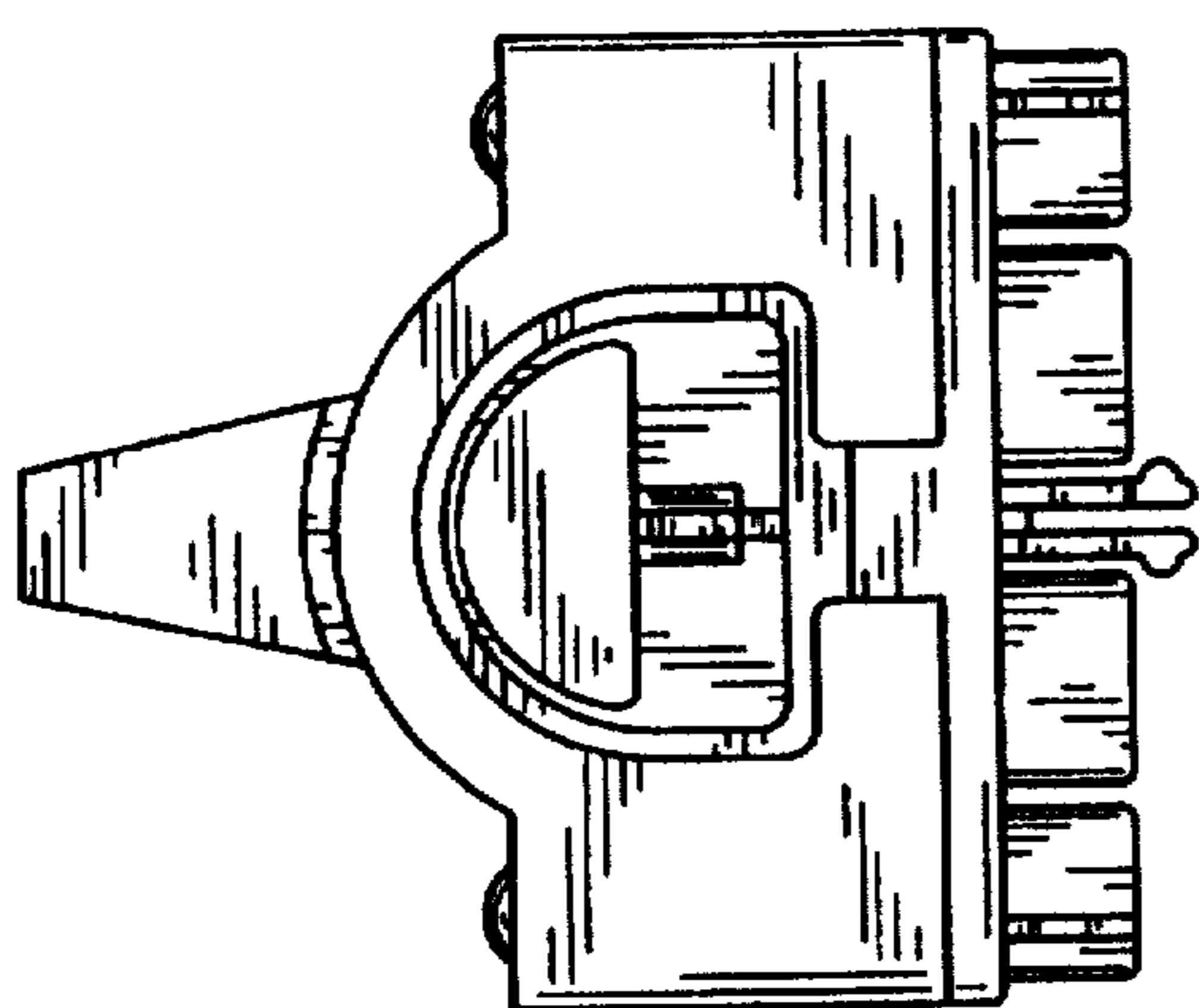


FIG. 8

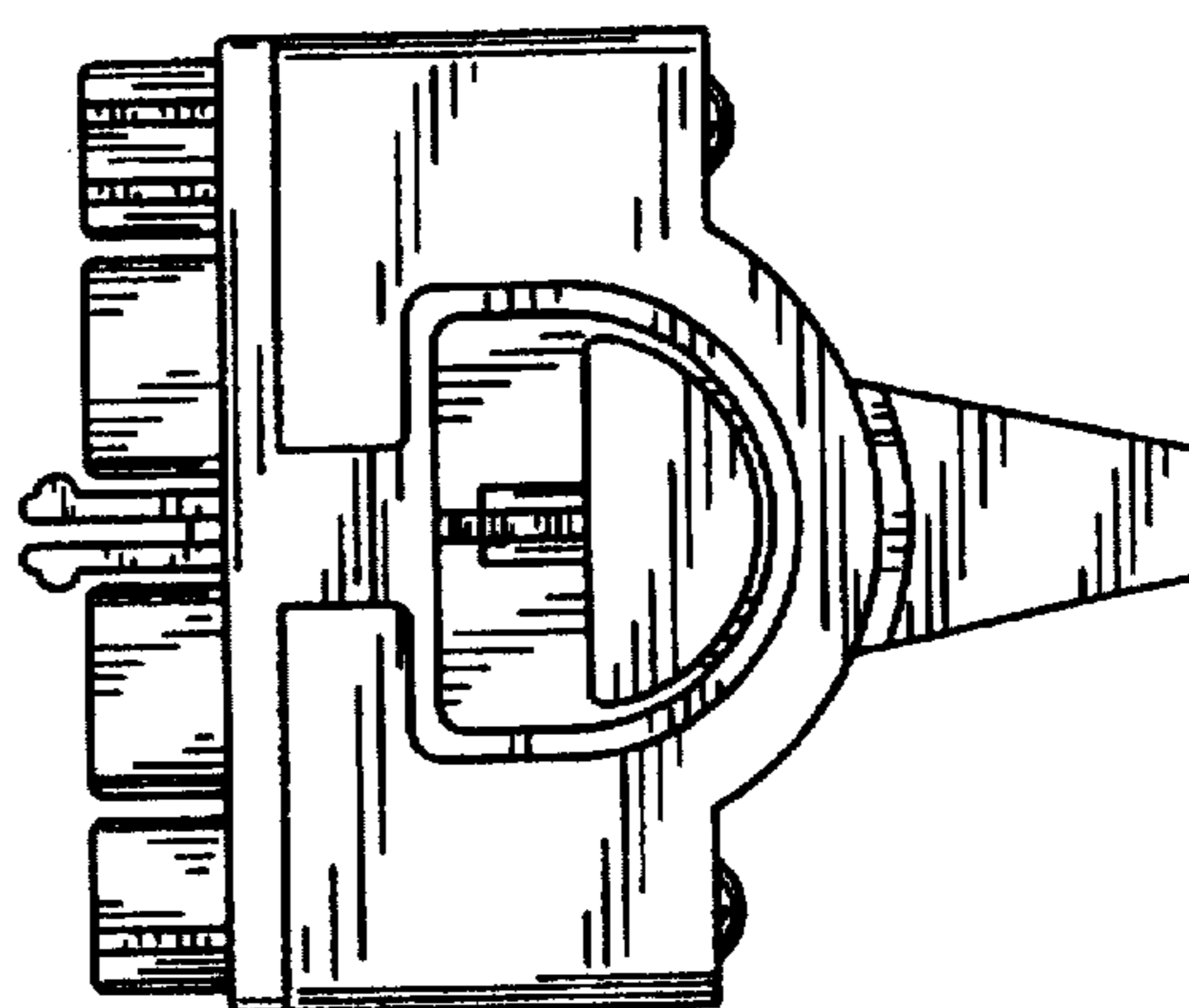


FIG. 9



FIG. 10



FIG. 11



FIG. 12