



US00D392254S

# United States Patent [19] Gevaert

[11] Patent Number: **Des. 392,254**  
[45] Date of Patent: **\*\*Mar. 17, 1998**

## [54] POWER/DATA MODULE

[75] Inventor: **Steven C. Gevaert**, Green Bay, Wis.

[73] Assignee: **Krueger International, Inc.**, Green Bay, Wis.

[\*\*] Term: **14 Years**

[21] Appl. No.: **55,601**

[22] Filed: **Jun. 7, 1996**

[51] LOC (6) Cl. .... **13-03**

[52] U.S. Cl. .... **D13/143**

[58] Field of Search ..... D13/133, 137,  
D13/139, 143, 146, 156; 174/48, 53, 66,  
67; 220/3.2, 4.02, 241; 439/131, 135, 535

5,342,993 8/1994 Siems .  
5,351,173 9/1994 Byrne .  
5,575,668 11/1996 Timmerman ..... 439/131

### FOREIGN PATENT DOCUMENTS

0410588 1/1991 European Pat. Off. .  
0648001 4/1995 European Pat. Off. .

*Primary Examiner*—Kay H. Chin  
*Assistant Examiner*—Lavone D. Tabor  
*Attorney, Agent, or Firm*—Andrus, Scales, Starke & Sawall

### [57] CLAIM

The ornamental design for a power/data module, as shown and described.

### DESCRIPTION

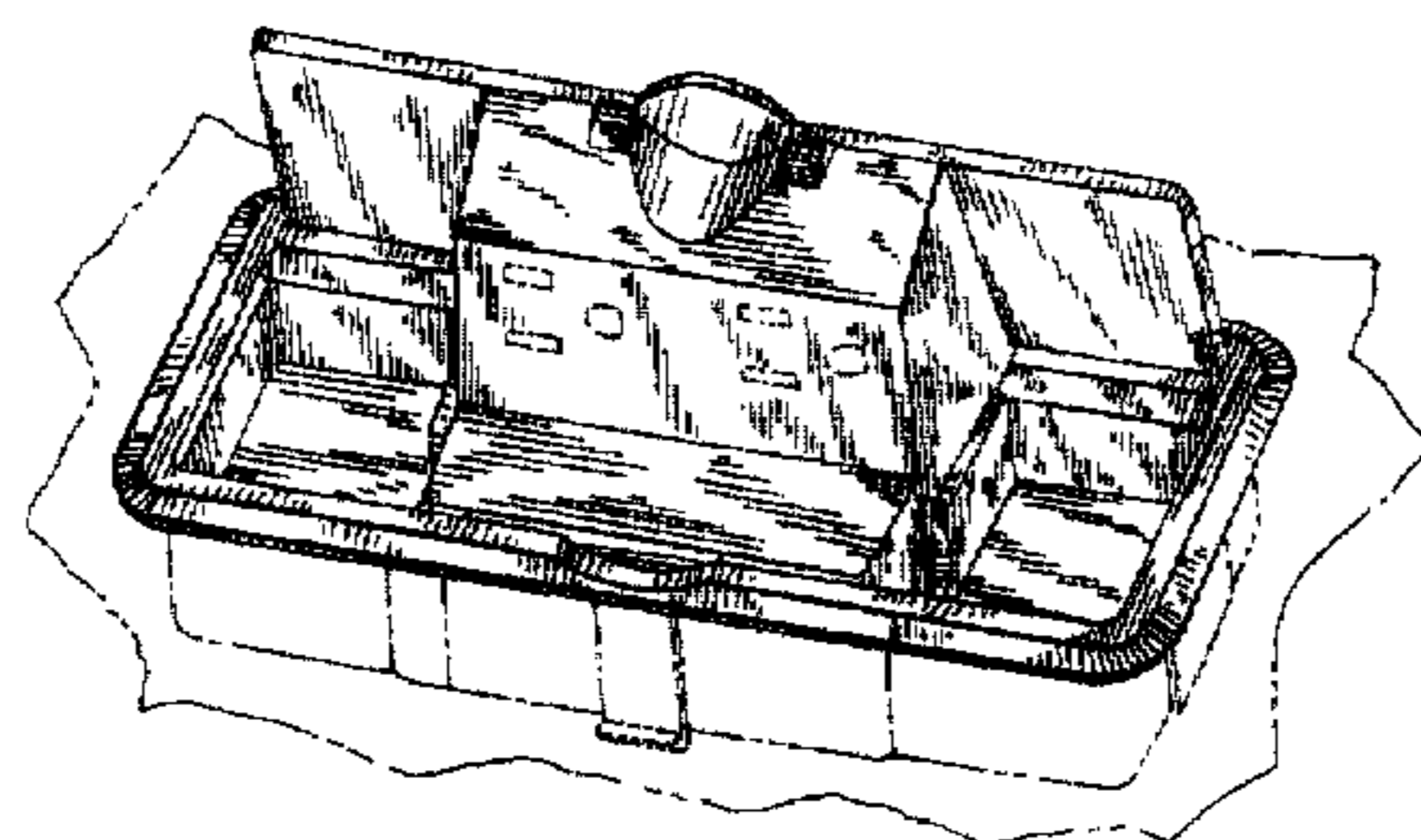
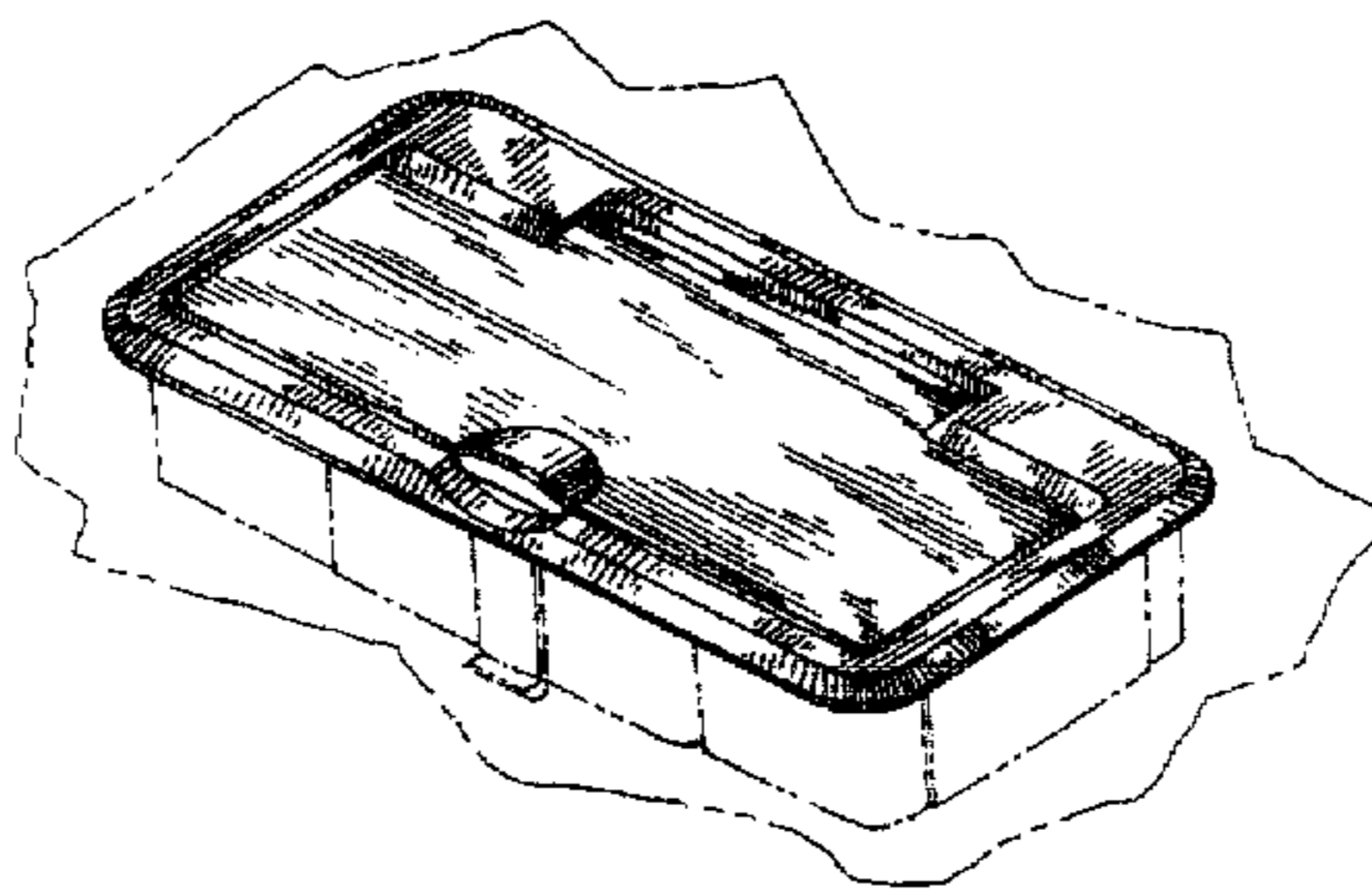
FIG. 1 is an isometric view of a power/data module incorporating my new design;  
FIG. 2 is a top plan view thereof;  
FIG. 3 is a side elevation view thereof;  
FIG. 4 is an end elevation view thereof;  
FIG. 5 is a rear elevation view thereof;  
FIG. 6 is an isometric view thereof similar to FIG. 1, showing the power/data module in an open position;  
FIG. 7 is a top plan view of the module in its open position of FIG. 6;  
FIG. 8 is a front elevation view of the module in its open position;  
FIG. 9 is a rear elevation view of the module in its open position; and  
FIG. 10 is a side elevation view of the module in its open position.  
The broken lines showing a flat surface in FIGS. 1, 3-6 and 10 and the outer walls of the module in FIGS. 1, 3, 4, and 6-10 and the plug sockets in FIG. 6, are for illustrative purposes only and form no part of the claimed design.

### [56] References Cited

#### U.S. PATENT DOCUMENTS

D. 353,363 12/1994 Toby ..... D13/143  
3,131,512 5/1964 MacLeod, Jr. .  
3,433,886 3/1969 Myers .  
3,646,244 2/1972 Cole .  
3,794,956 2/1974 Dubreuil .  
3,972,579 8/1976 Kohaut .  
4,296,981 10/1981 Hildebrandt et al. .  
4,372,629 2/1983 Propst et al. .  
4,511,198 4/1985 Mitchell et al. .  
4,551,577 11/1985 Byrne .  
4,747,788 5/1988 Byrne .  
4,792,881 12/1988 Wilson et al. .  
4,984,982 1/1991 Brownlie et al. .  
5,023,396 6/1991 Bartee et al. .  
5,103,741 4/1992 Grund et al. .  
5,122,069 6/1992 Brownlie et al. .  
5,230,552 7/1993 Schipper et al. .  
5,231,562 7/1993 Pierce et al. .  
5,299,943 4/1994 Shieh .  
5,318,259 6/1994 Fussler .  
5,318,453 6/1994 Hwang .

1 Claim, 3 Drawing Sheets



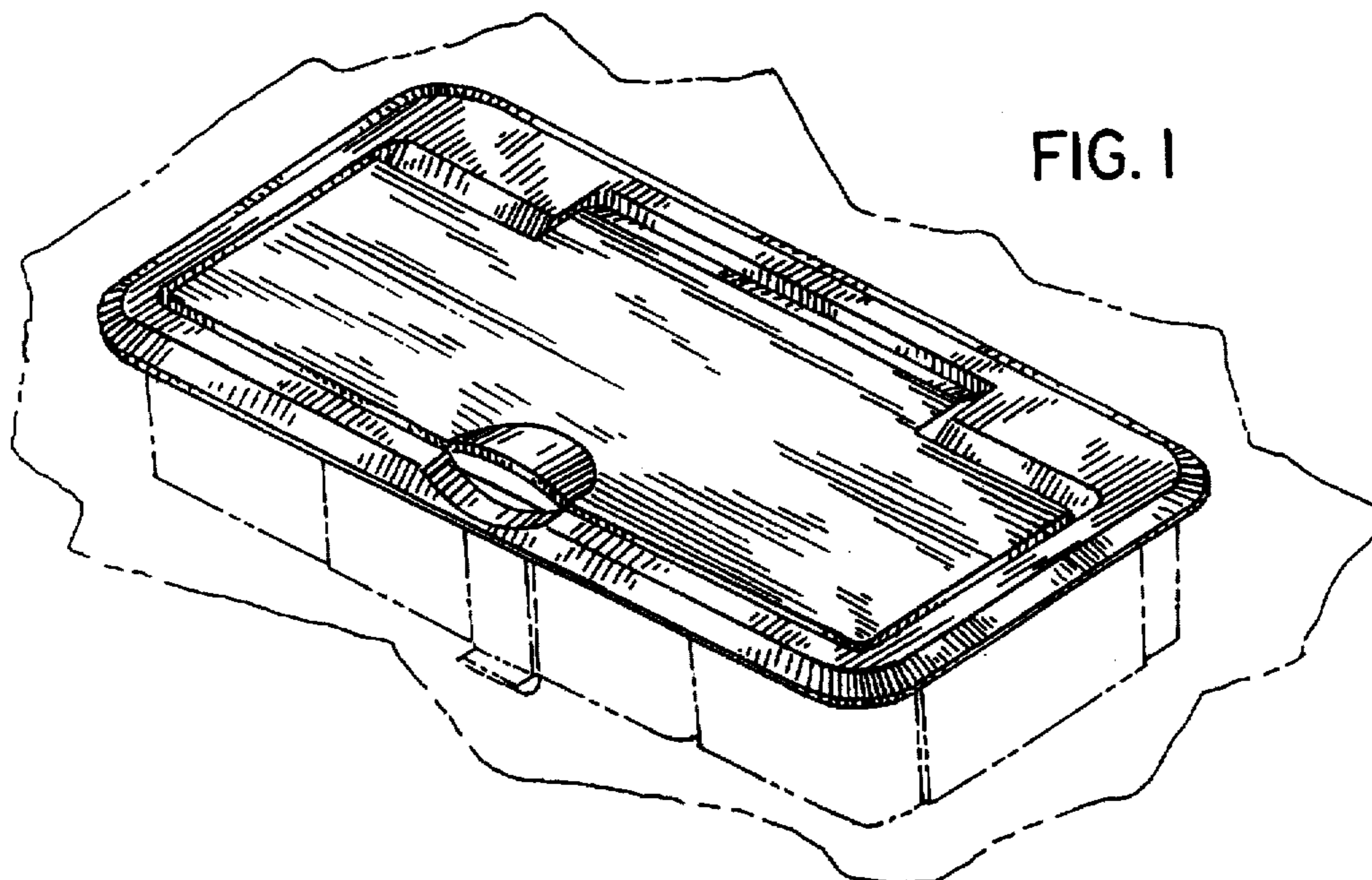


FIG. 1

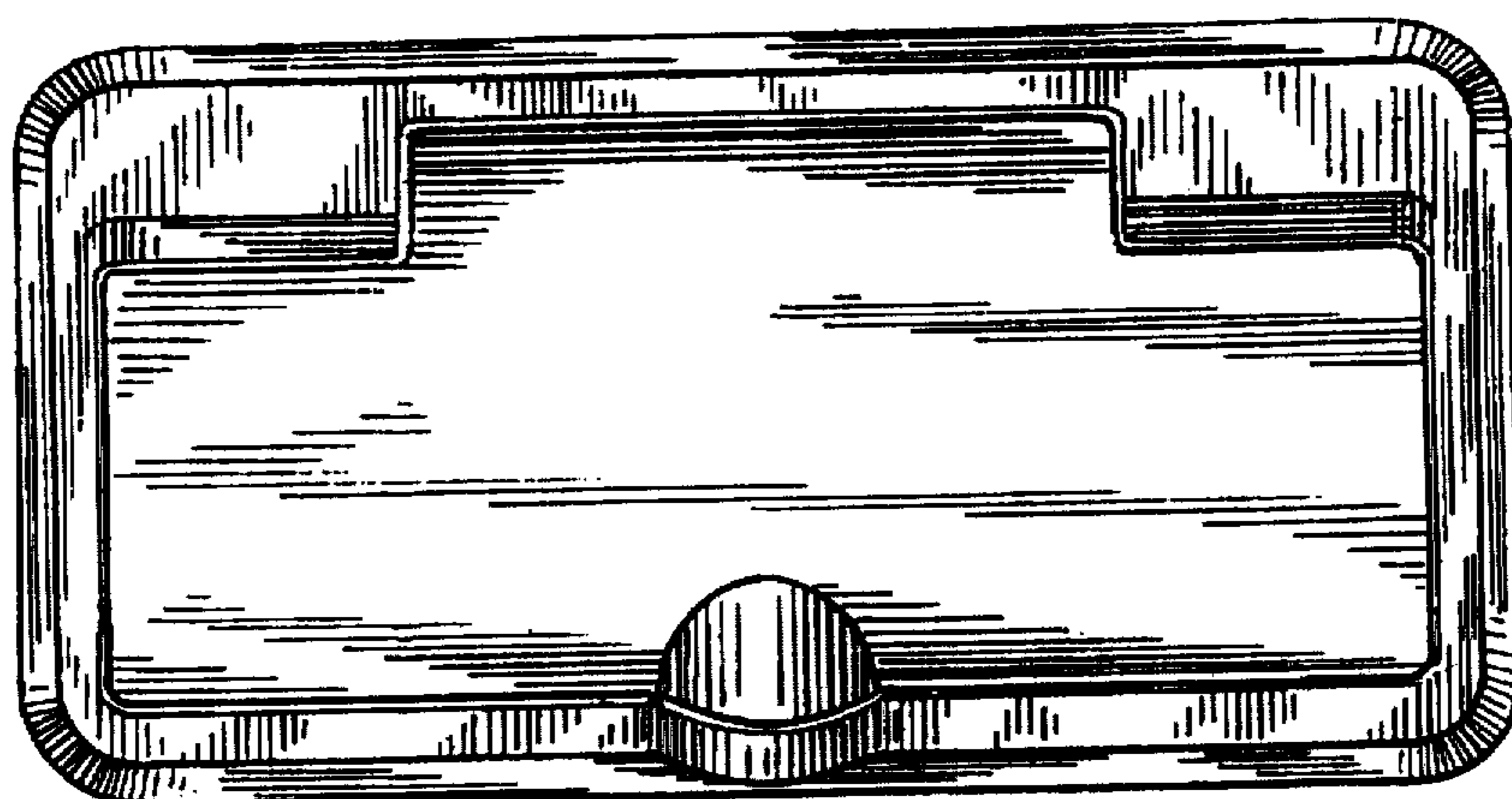


FIG. 2

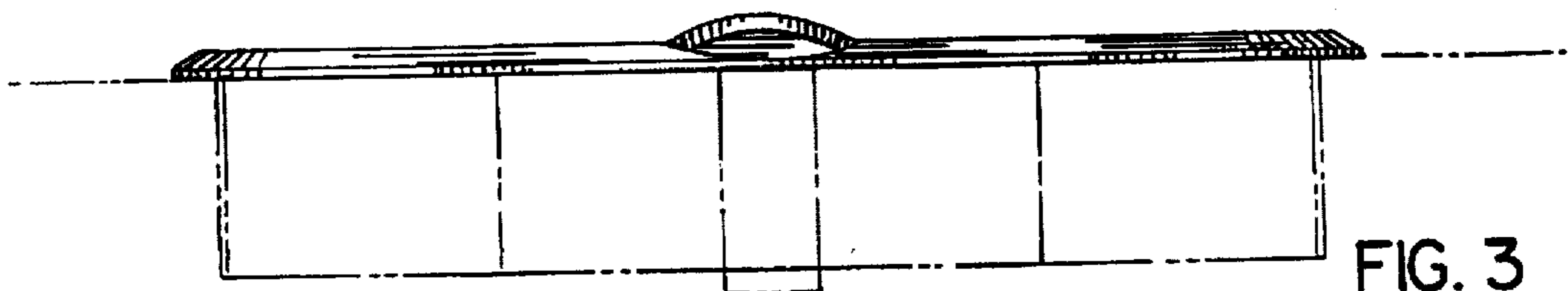


FIG. 3

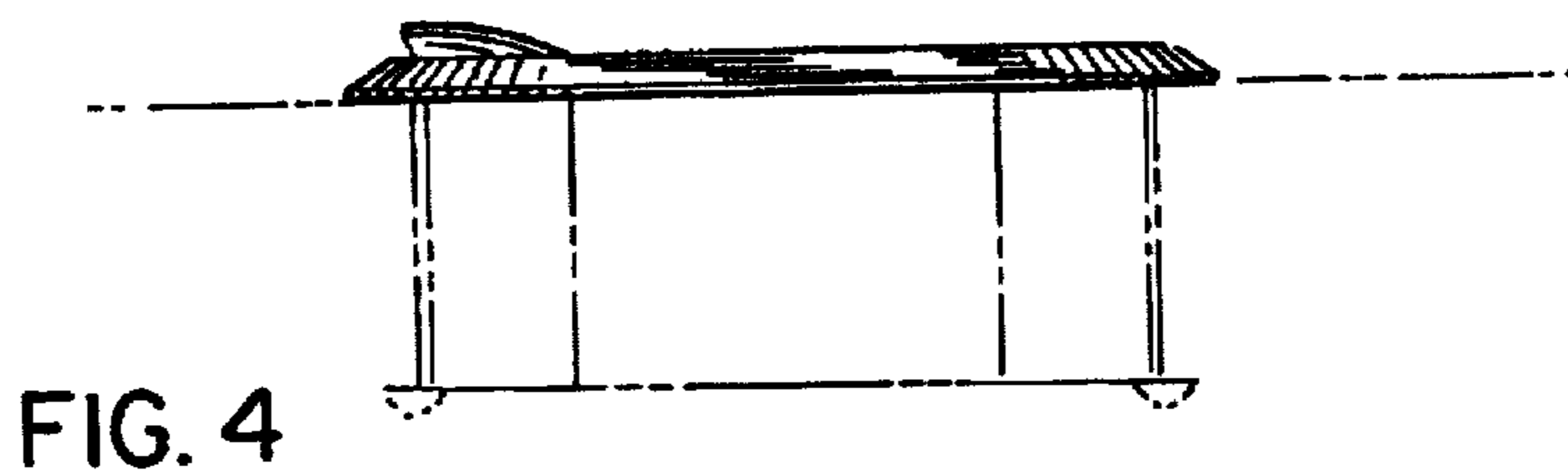


FIG. 4



FIG. 5

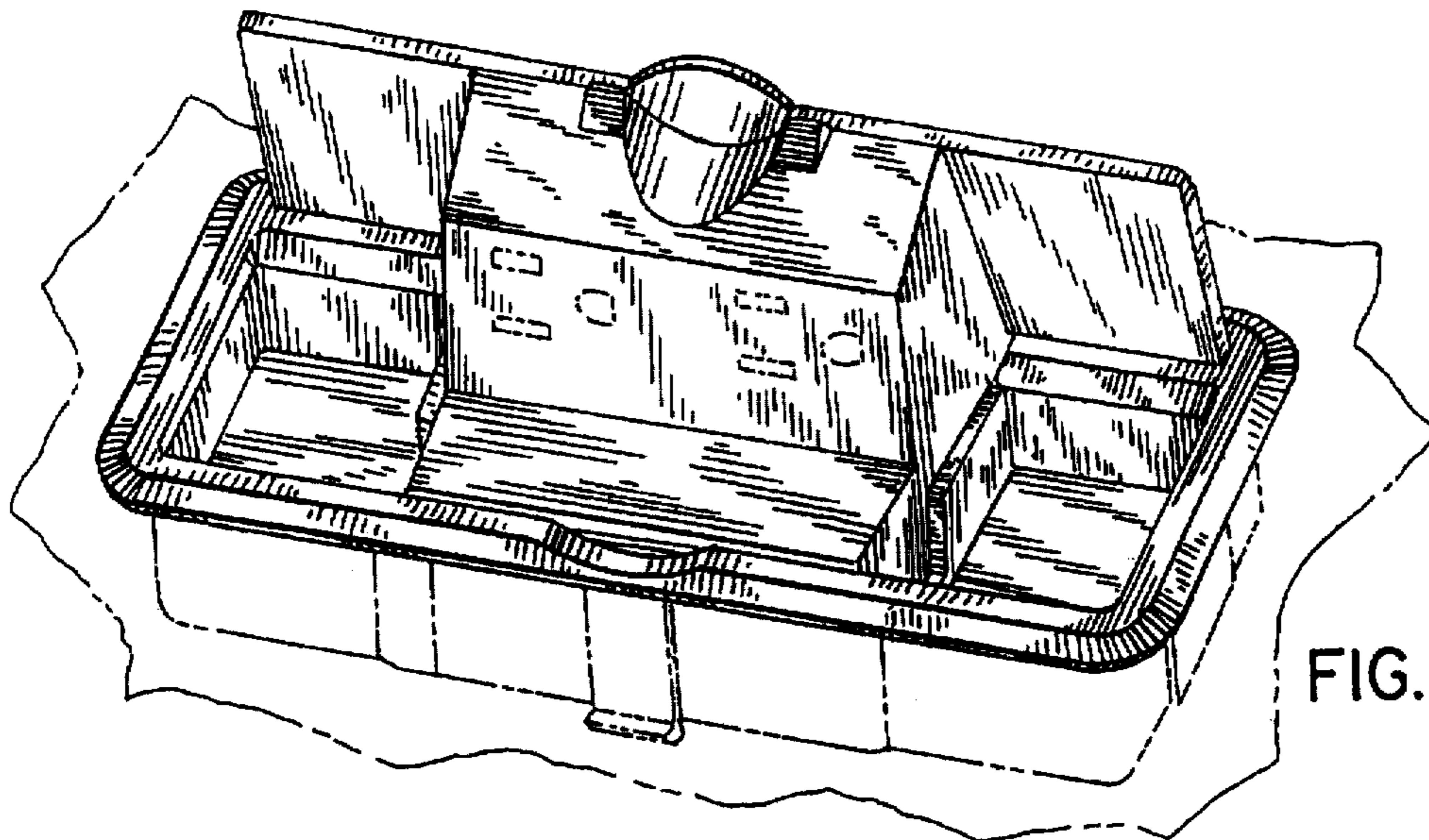


FIG. 6

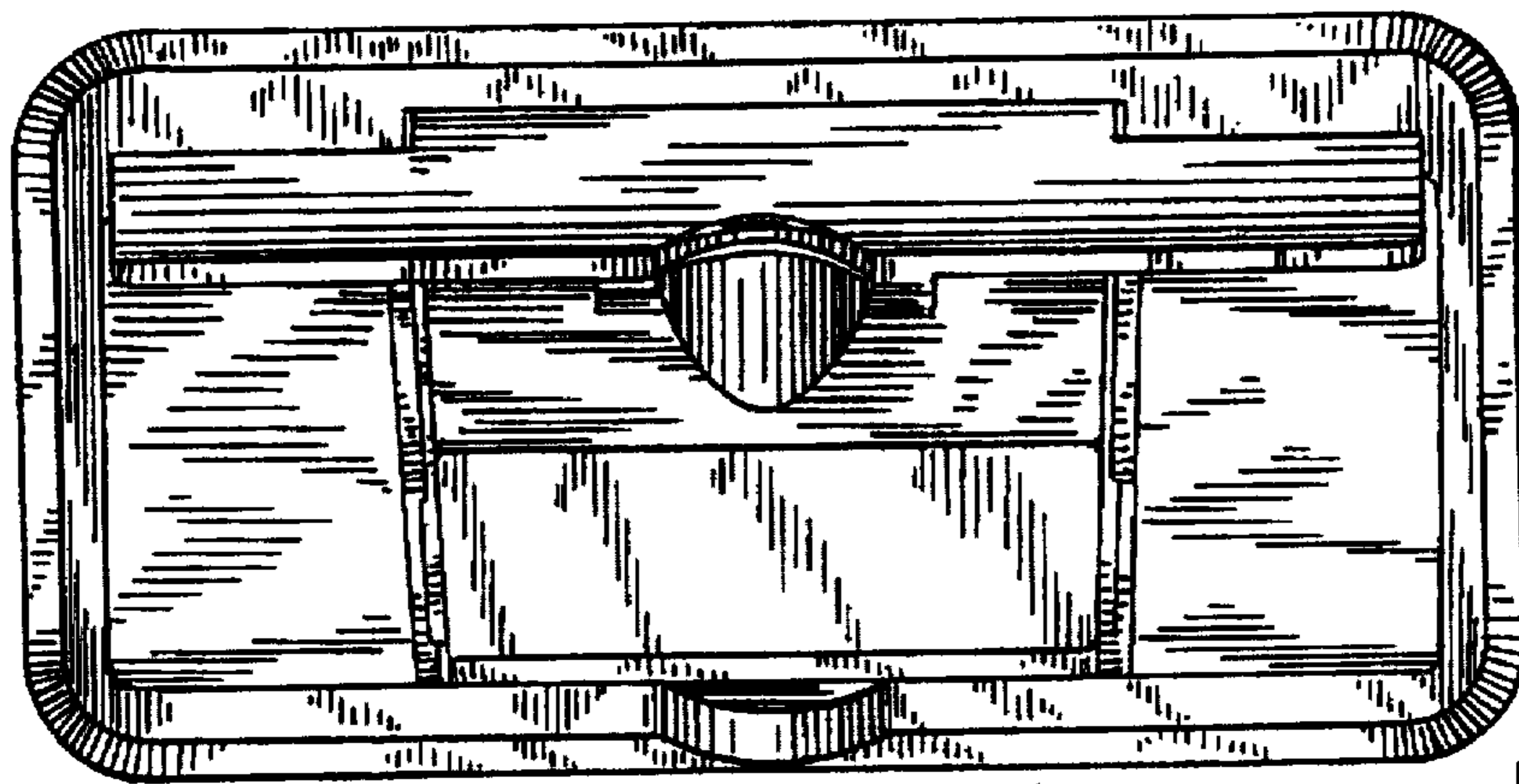


FIG. 7

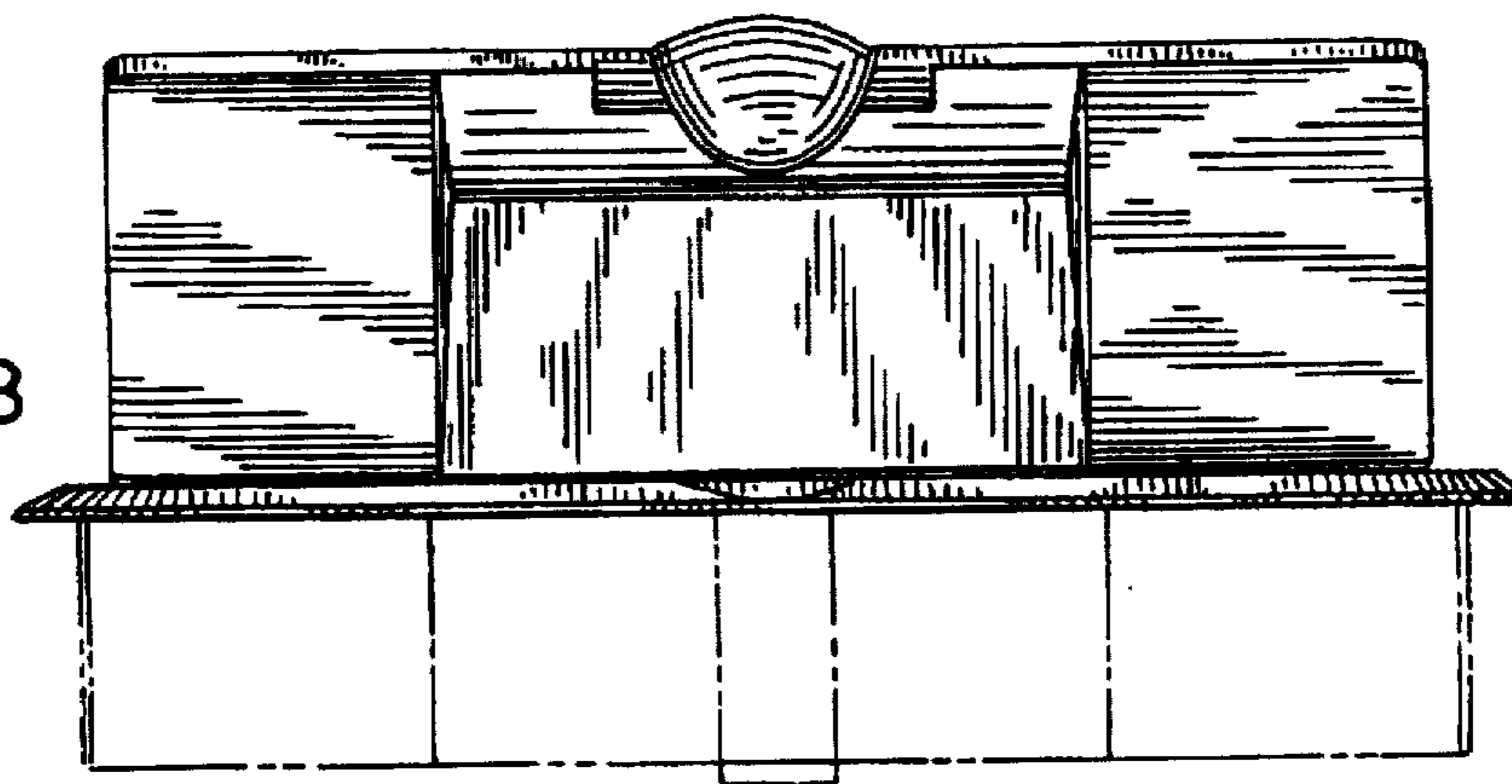


FIG. 8

