



US00D392253S

United States Patent [19]

Kurihara et al.

[11] Patent Number: **Des. 392,253**

[45] Date of Patent: ****Mar. 17, 1998**

[54] **ELECTROLYTIC CAPACITOR**

[75] Inventors: **Kaname Kurihara; Izumi Ishii; Yutaka Muto**, all of Fujisawa, Japan

[73] Assignee: **Elna Kabushiki Kaisha**, Fujisawa, Japan

[**] Term: **14 Years**

[21] Appl. No.: **49,936**

[22] Filed: **Feb. 5, 1996**

[30] **Foreign Application Priority Data**

Dec. 4, 1995 [JP] Japan 7-36616

[51] LOC (6) Cl. **13-03**

[52] U.S. Cl. **D13/125; D13/184**

[58] Field of Search **D13/125, 184; 29/25.03; 361/523, 528, 533, 535, 540**

[56] **References Cited**

U.S. PATENT DOCUMENTS

- D. 301,137 5/1989 Treptow D13/184 X
- D. 340,692 10/1993 Iijima et al. D13/125
- 4,097,916 6/1978 Piper 361/540

- 5,036,434 7/1991 Kobayashi 361/540
- 5,412,533 5/1995 Murayama et al. 361/528
- 5,559,668 9/1996 Kuriyama 361/533
- 5,629,830 5/1997 Yamagami et al. 361/535

Primary Examiner—James Gandy
Assistant Examiner—Cathron B. Matta
Attorney, Agent, or Firm—Kanesaka & Takuchi

[57] **CLAIM**

The ornamental design for an electrolytic capacitor, as shown and described.

DESCRIPTION

FIG. 1 is a front view of an electrolytic capacitor showing our new design;
 FIG. 2 is a rear view thereof;
 FIG. 3 is a left side view thereof;
 FIG. 4 is a right side view thereof;
 FIG. 5 is a top plan view thereof;
 FIG. 6 is a bottom plan view thereof;
 FIG. 7 is a perspective view from a view point at the right and above the electrolytic capacitor; and,
 FIG. 8 is a perspective view from a view point at the right and below the electrolytic capacitor.

1 Claim, 2 Drawing Sheets

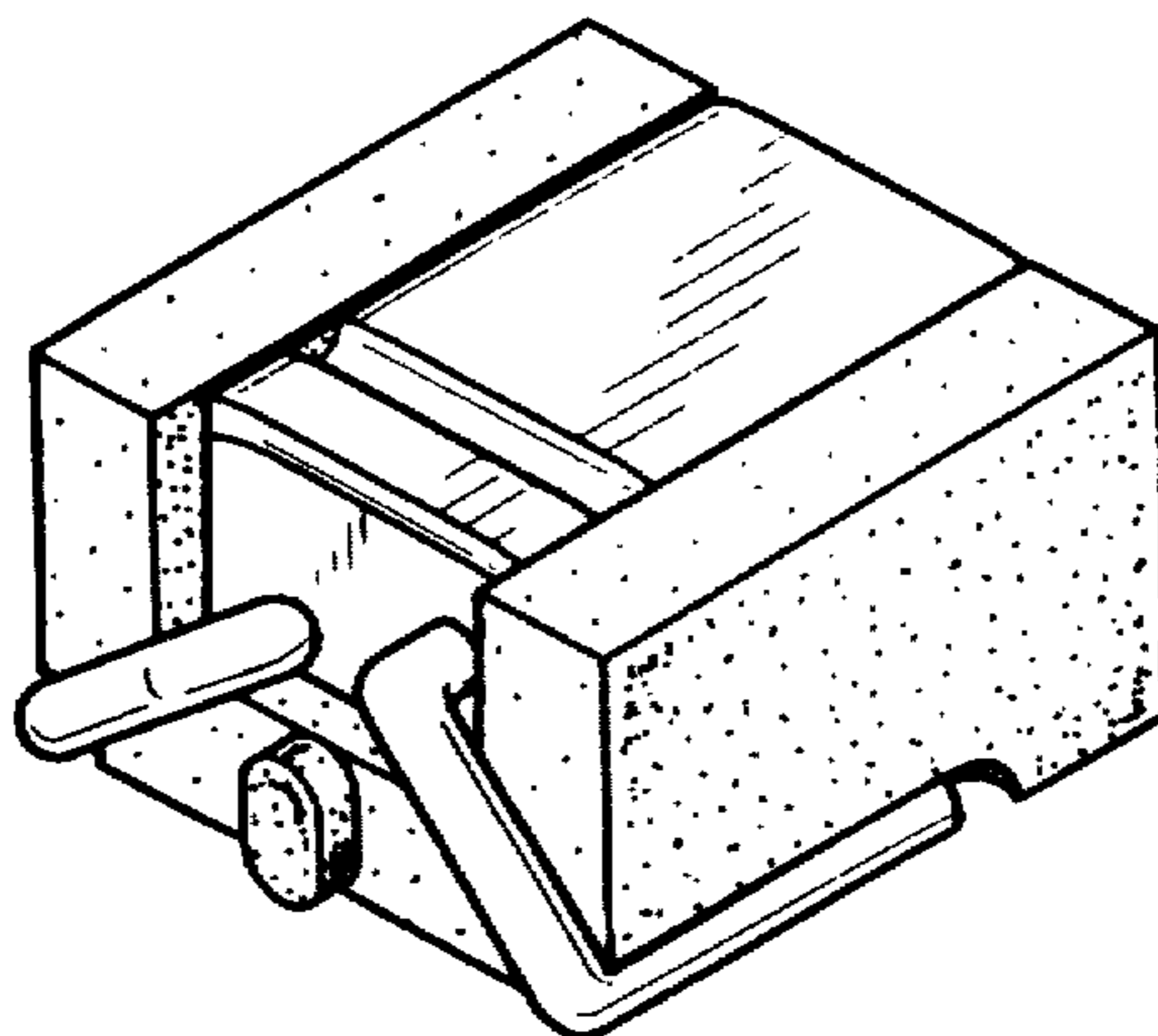


FIG.1

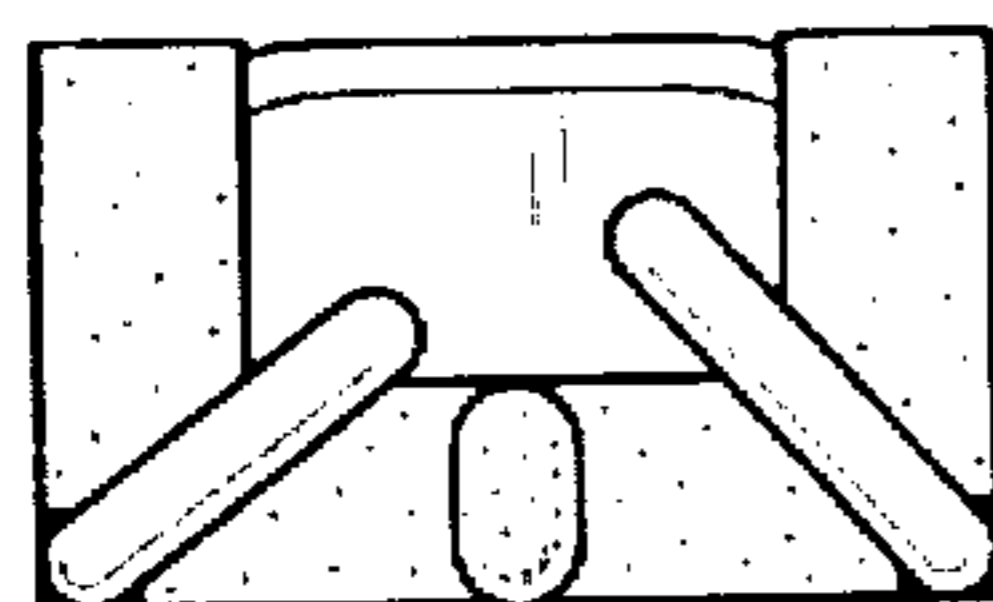


FIG.2

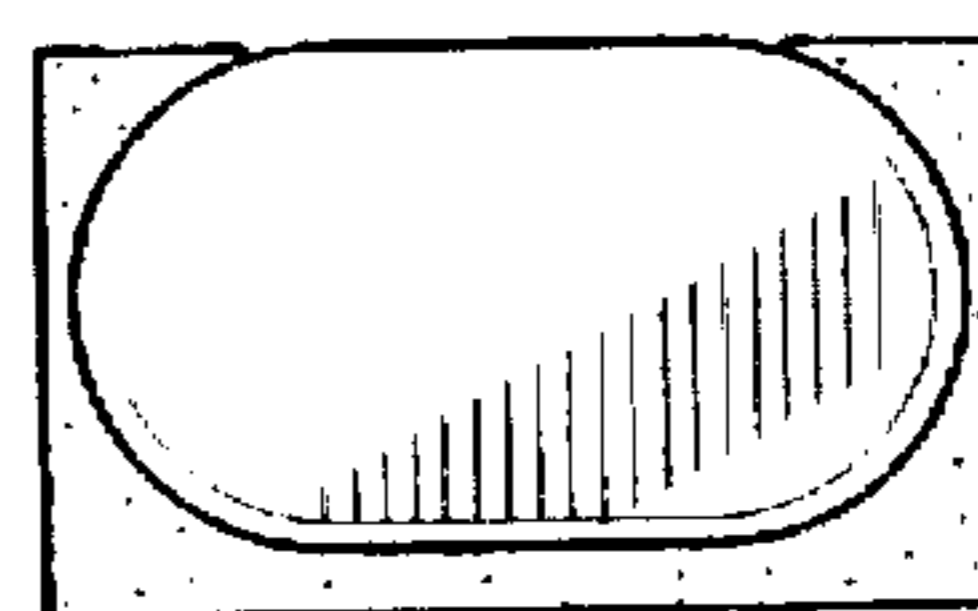


FIG.3

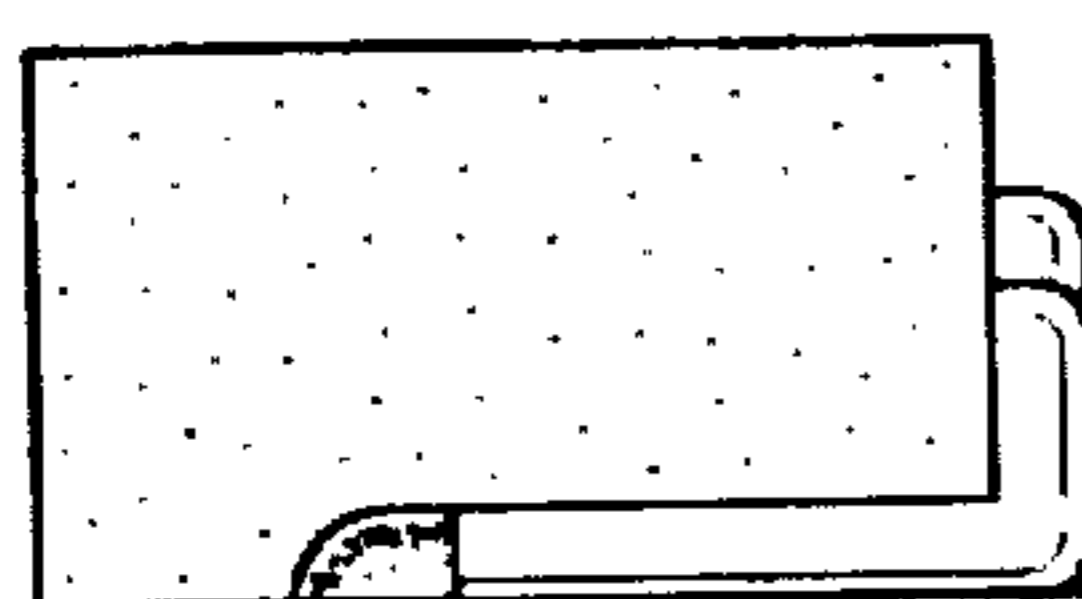


FIG.4

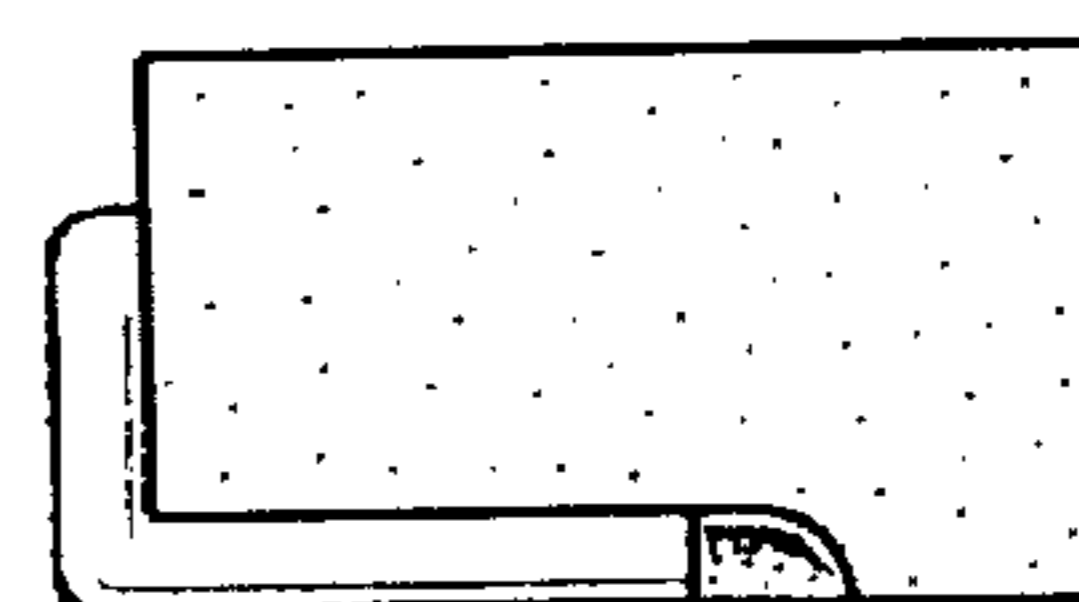


FIG.5

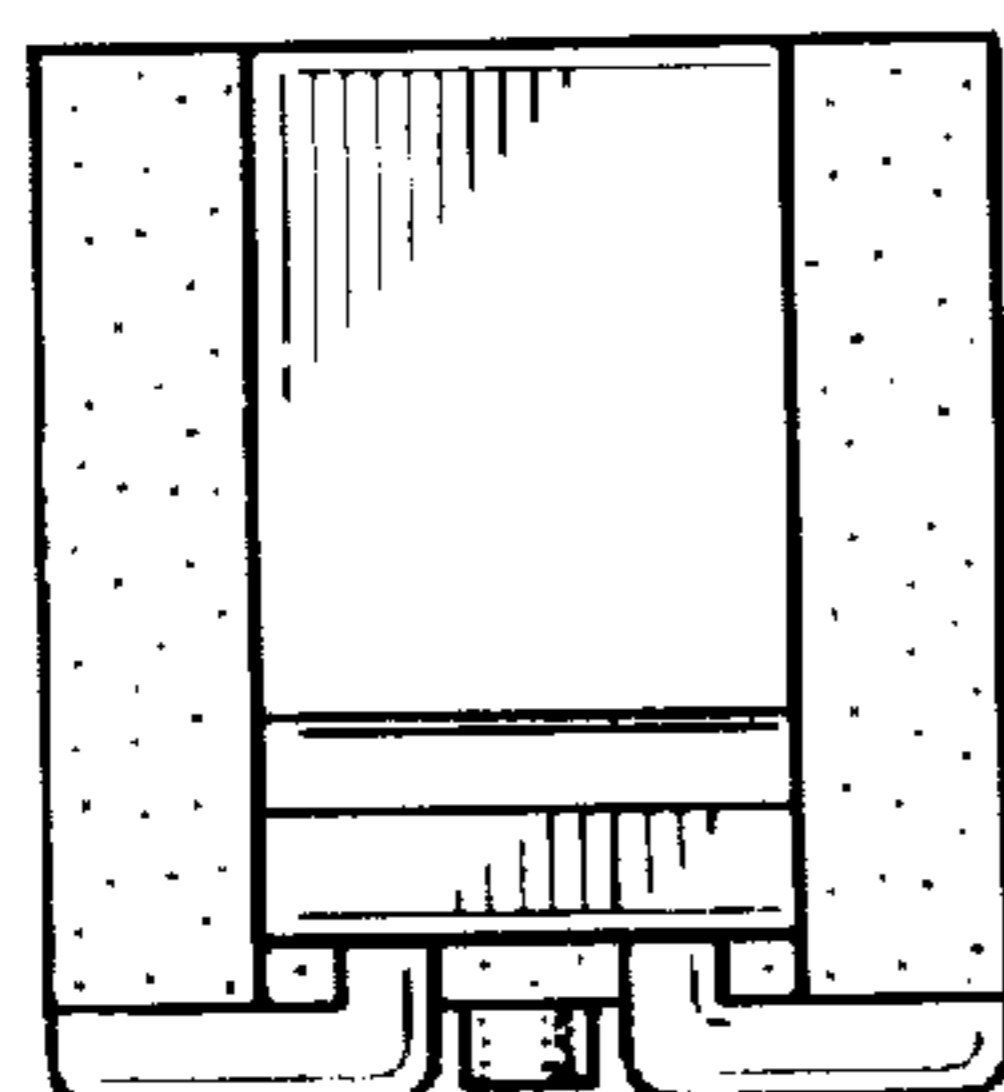


FIG.6

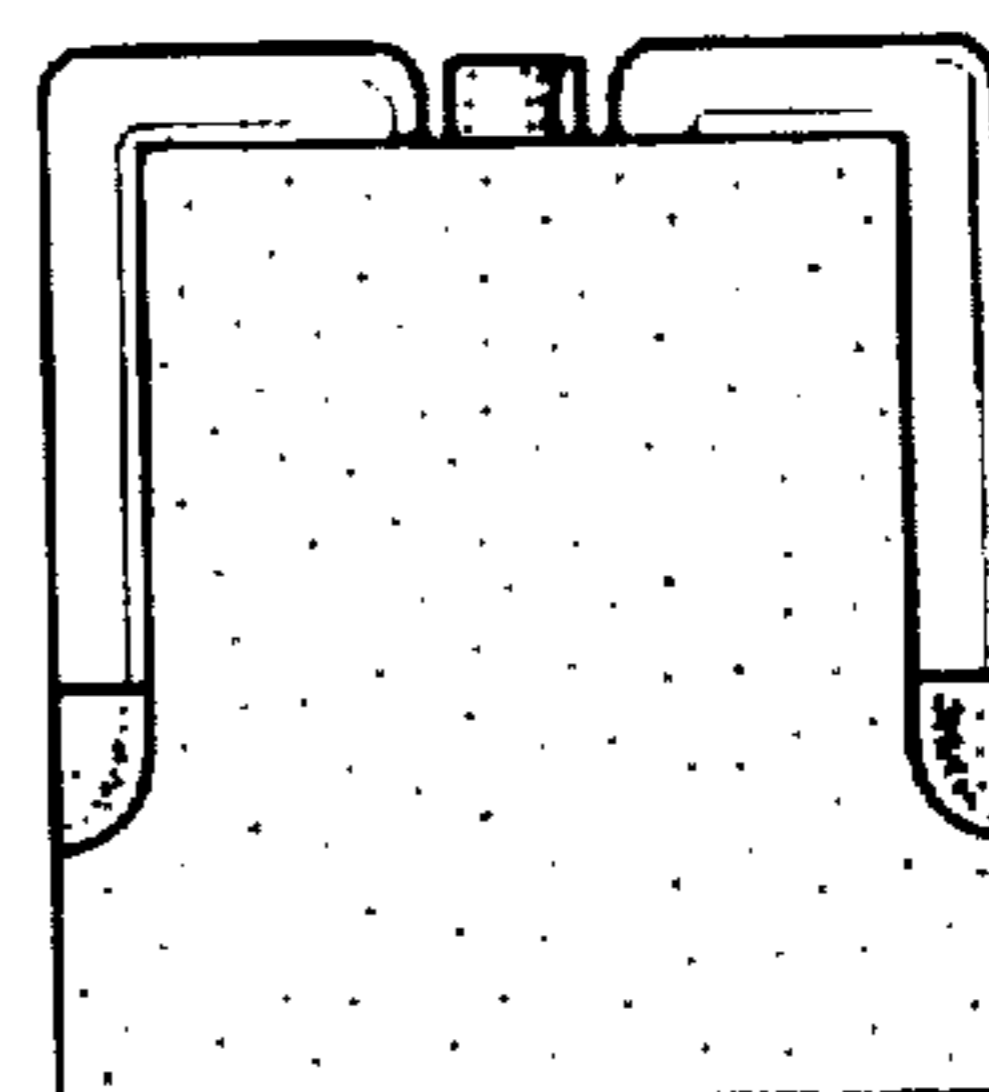


FIG. 7

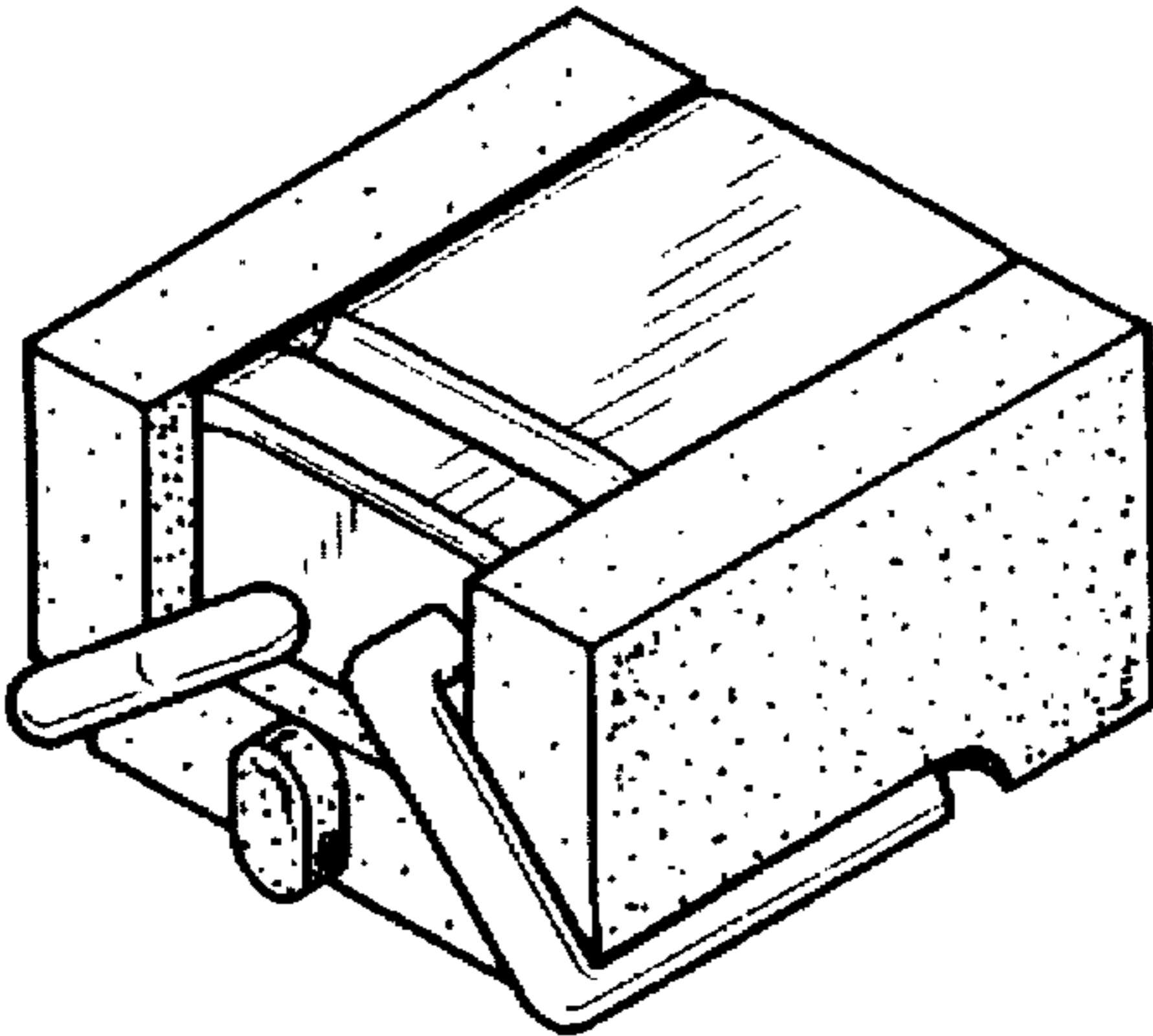


FIG. 8

