



US00D392252S

United States Patent [19]

Altman et al.

[11] Patent Number: **Des. 392,252**

[45] Date of Patent: ****Mar. 17, 1998**

[54] **FLUORESCENT LAMP BALLAST ENCLOSURE**

[75] Inventors: **Barry Eddington Altman**, Mechanicsburg, Pa.; **John Francis Turner**, Clemmons, N.C.; **Kimberly Ann Ketelsleger**, Mechanicsburg, Pa.

[73] Assignee: **The Whitaker Corporation**, Wilmington, Del.

[**] Term: **14 Years**

[21] Appl. No.: **67,070**

[22] Filed: **Feb. 24, 1997**

[51] LOC (6) Cl. **13-03**

[52] U.S. Cl. **D13/110**

[58] Field of Search D13/110, 184; 174/48-52.4; 206/718, 436; 315/56, 58, 209 R, 224, 244, 307, DIG. 4, DIG. 5, DIG. 7; 361/600-821; 362/216, 221, 260

[56] **References Cited**

U.S. PATENT DOCUMENTS

D. 356,551 3/1995 Ahn D13/110

D. 368,466	4/1996	Ahn et al.	D13/110
D. 380,443	7/1997	Ahn et al.	D13/110
4,729,740	3/1988	Crowe et al.	174/59 X
4,916,363	4/1990	Burton et al.	D13/110 X
5,055,985	10/1991	Fabbri	362/221
5,253,152	10/1993	Yang et al.	362/221

Primary Examiner—James Gandy
Assistant Examiner—Cathron B. Matta

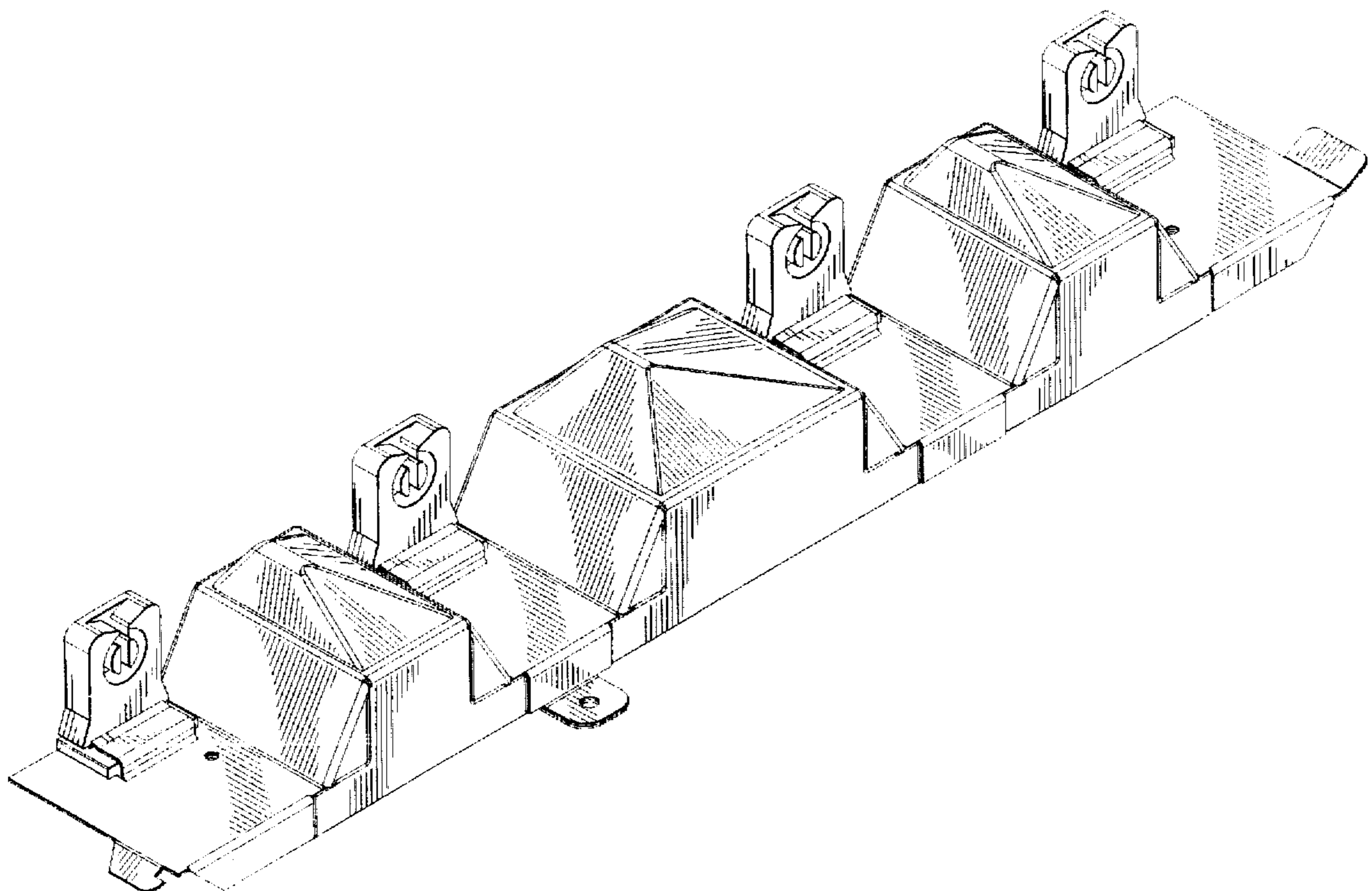
[57] **CLAIM**

The ornamental design for a fluorescent lamp ballast enclosure, as shown and described.

DESCRIPTION

FIG. 1 is a top left front isometric view of a fluorescent lamp ballast enclosure showing my new design; FIG. 2 is a bottom rear isometric view thereof; FIG. 3 is a front view thereof; FIG. 4 is a bottom view thereof; FIG. 5 is a top view thereof; FIG. 6 is a rear view thereof; FIG. 7 left side view thereof shown at an enlarged scale; and, FIG. 8 is a right side view thereof shown at an enlarged scale.

1 Claim, 5 Drawing Sheets



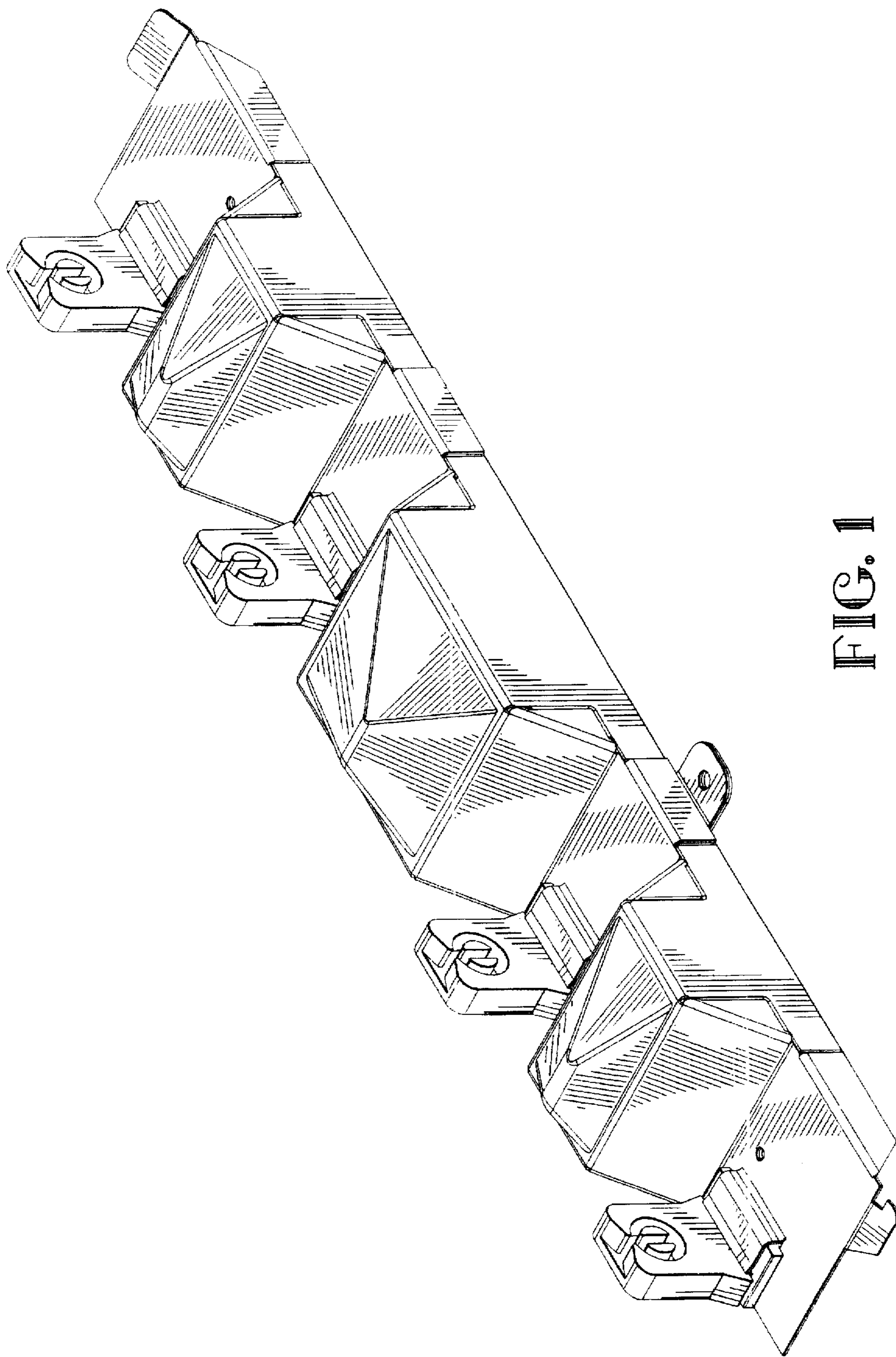


FIG. 1

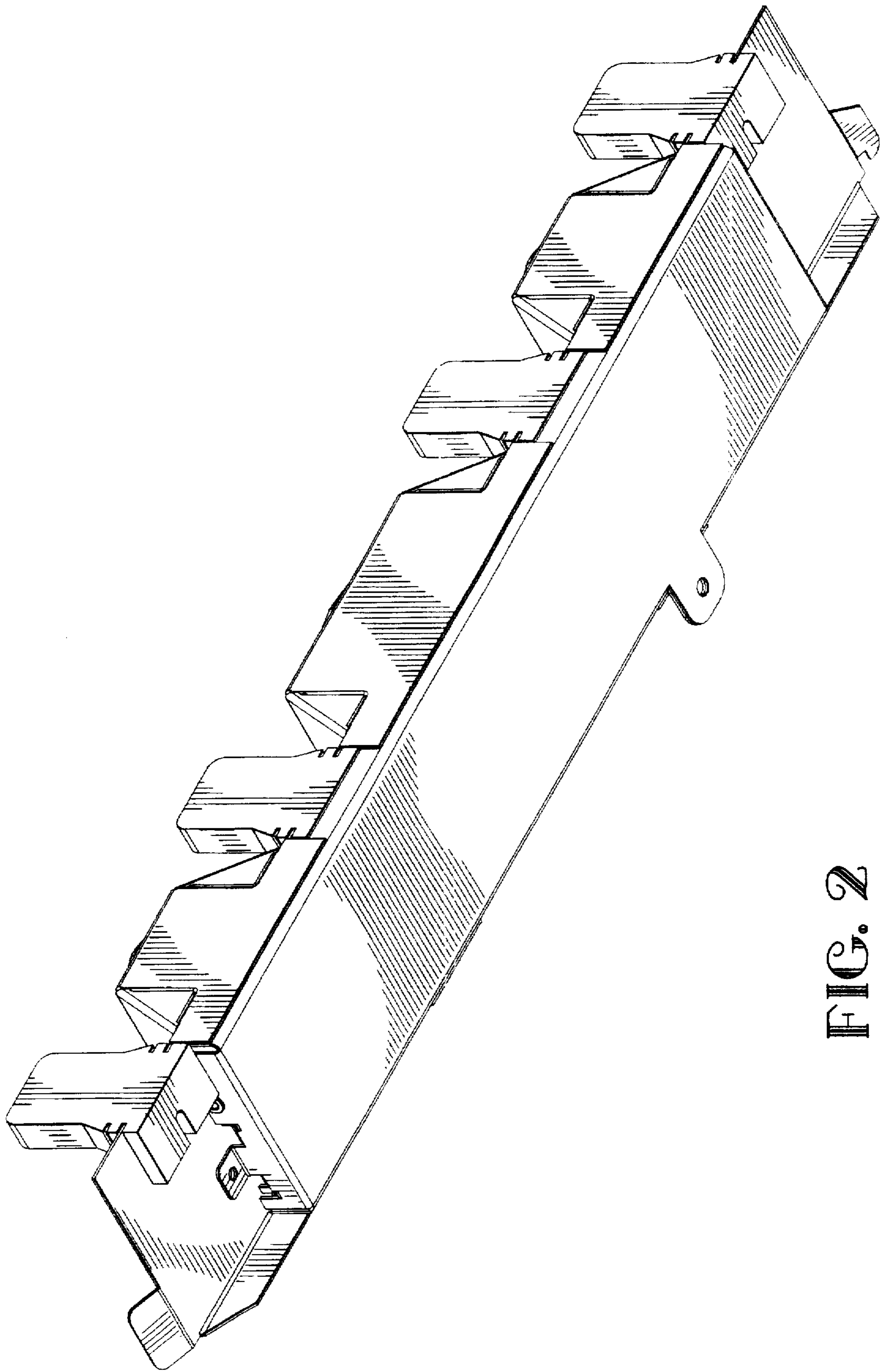


FIG. 2

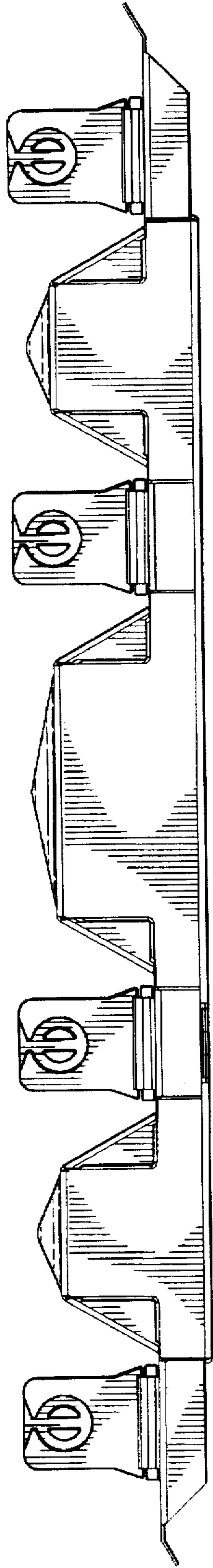


FIG. 3

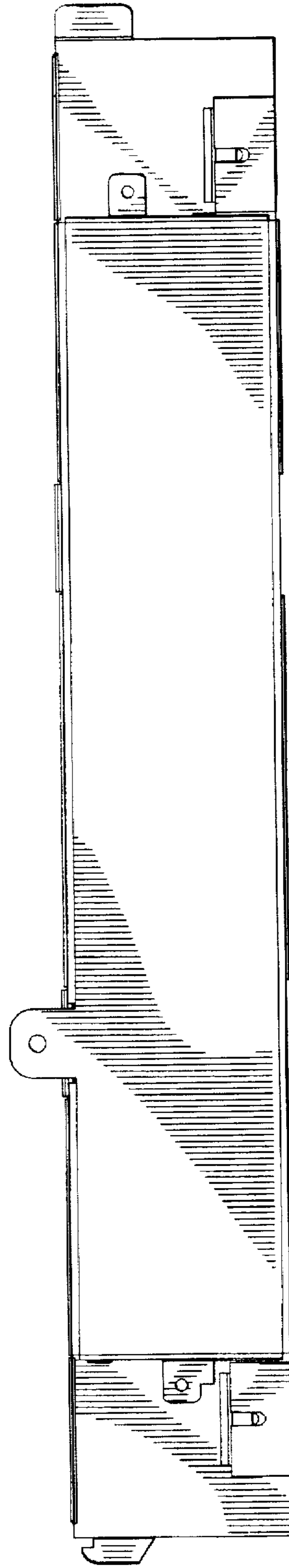


FIG. 4

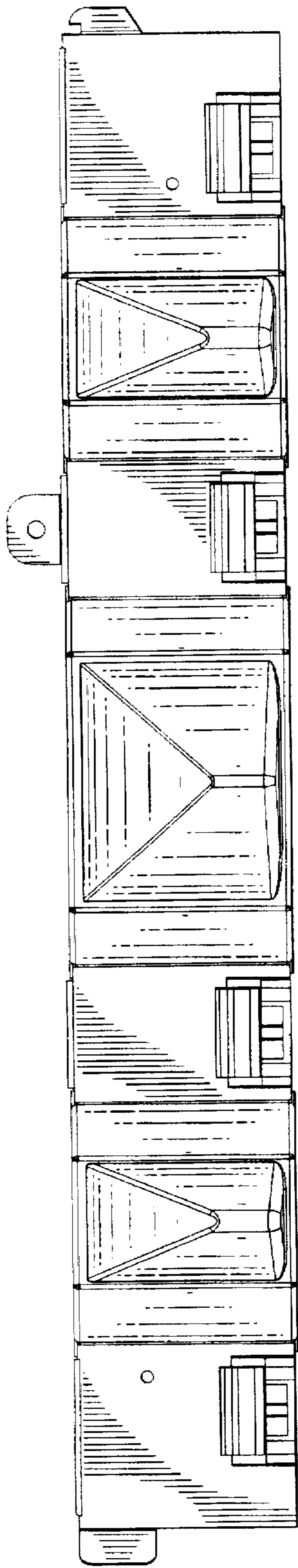


FIG. 5

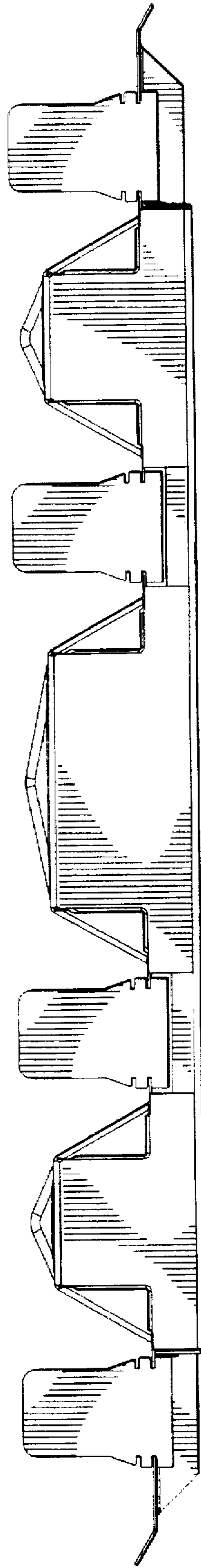


FIG. 6

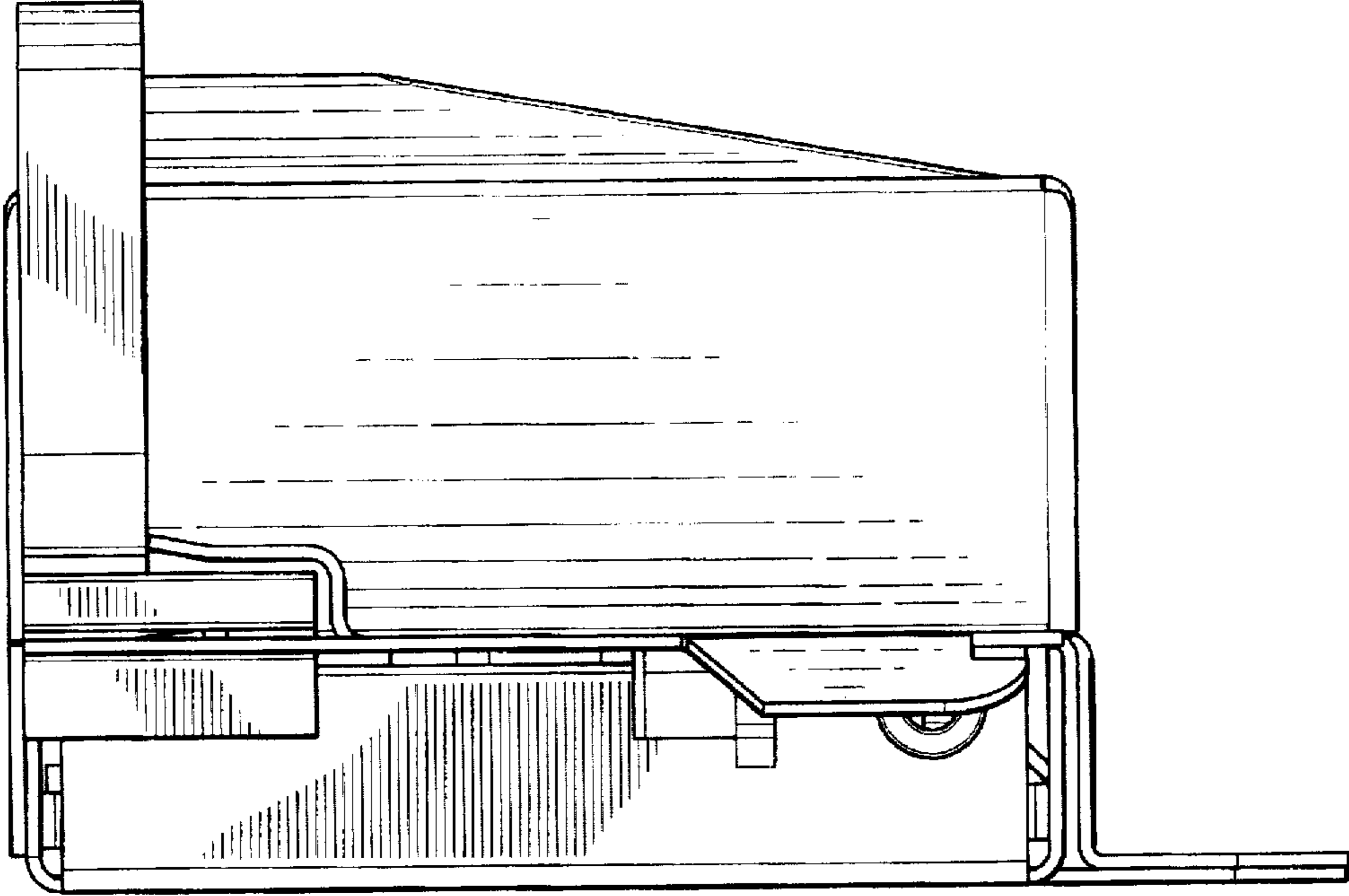


FIG. 7

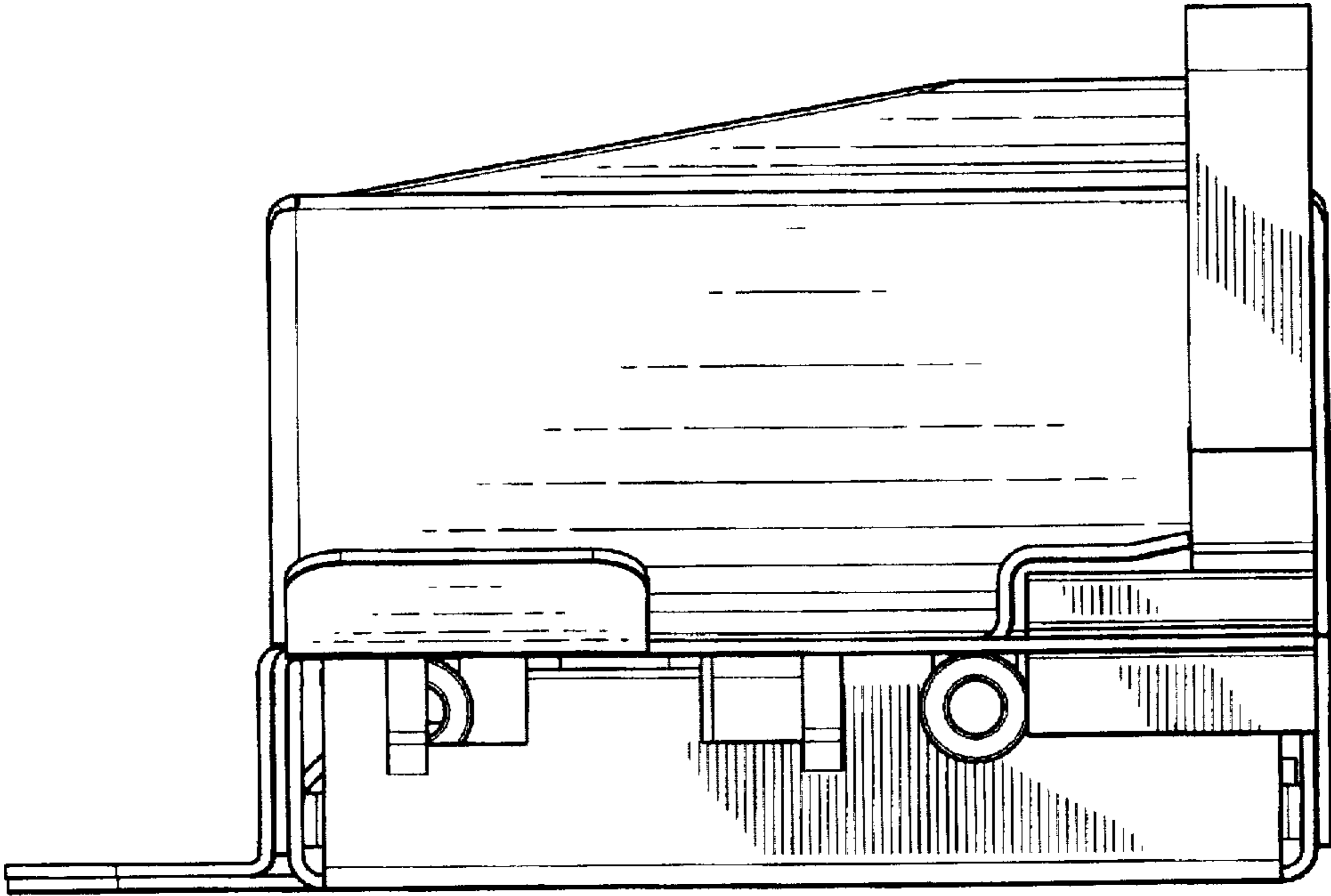


FIG. 8