



US00D392247S

United States Patent [19]
Gogan et al.

[11] **Patent Number:** **Des. 392,247**
[45] **Date of Patent:** ****Mar. 17, 1998**

[54] **LUGGAGE RACK**

4,174,796 11/1979 Nakamura 224/413
4,993,731 2/1991 Fuller 280/282

[75] **Inventors:** **Donald M. Gogan**, Brookfield;
Thomas G. Parsons, Dousman, both of
Wis.

OTHER PUBLICATIONS

[73] **Assignee:** **Harley-Davidson Motor Company**,
Milwaukee, Wis.

Custom Chrome 1994 Catalog, pp. 623-624.
V-Twin 1993 Catalog, p. 511.
Harley-Davidson 1992 Accessories Catalog, pages.
Harley-Davidson 1993 Accessories Catalog, p. 20.
Harley-Davidson 1995 Parts and Accessories Catalog, pp.
41, 63, 73 and 82.
"Sissy Bars, Racks & Bags," from *Hot Road Bikes*, pp.
67-68, Jan., 1996.
Drag Specialties Catalog, 1995, p. 6, the fender lug gage
rack, ©1995.

[**] **Term:** **14 Years**

[21] **Appl. No.:** **60,867**

[22] **Filed:** **Oct. 9, 1996**

Related U.S. Application Data

[63] Continuation-in-part of Ser. No. 41,653, Jul. 20, 1995,
abandoned.

Primary Examiner—Melody N. Brown
Attorney, Agent, or Firm—Michael, Best & Friedrich LLP

[51] **LOC (6) Cl.** **12-16**

[52] **U.S. Cl.** **D12/407**

[58] **Field of Search** D12/407, 408;
224/412-417, 924; 297/383, 195.12, 352;
280/288.4

[57] **CLAIM**

The ornamental design for a luggage rack, as shown and
described.

DESCRIPTION

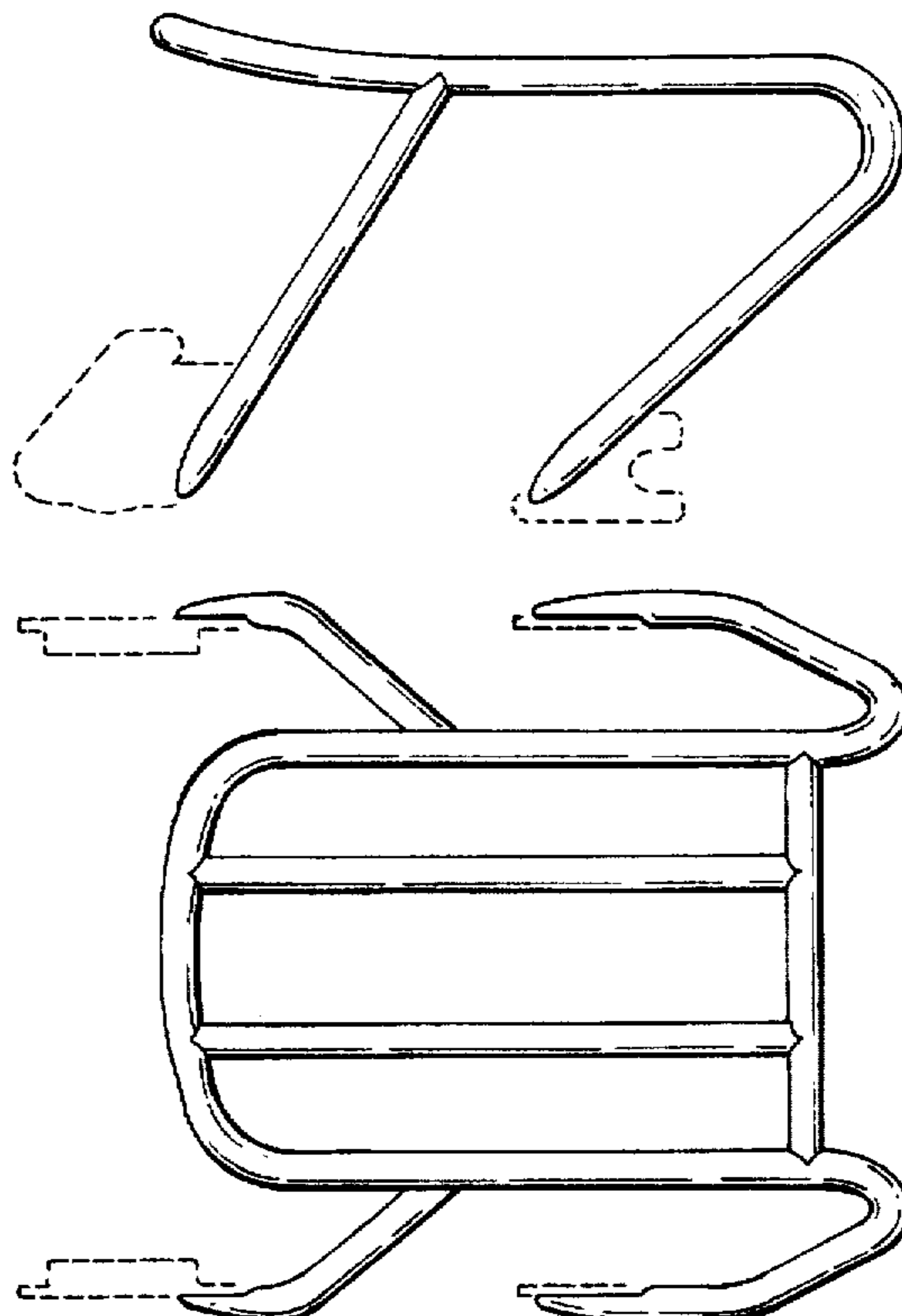
FIG. 1 is a right side view of a luggage rack embodying the
present invention;
FIG. 2 is a front view of the luggage rack of FIG. 1;
FIG. 3 is a rear view of the luggage rack of FIG. 1;
FIG. 4 is a left side view of the luggage rack of FIG. 1; and,
FIG. 5 is a top view of the luggage rack of FIG. 1.
The broken lines shown in all views of the drawing are for
illustrative purposes only and form no part of the claimed
design. The bottom view of the luggage rack is not visible
in its normal or intended use.

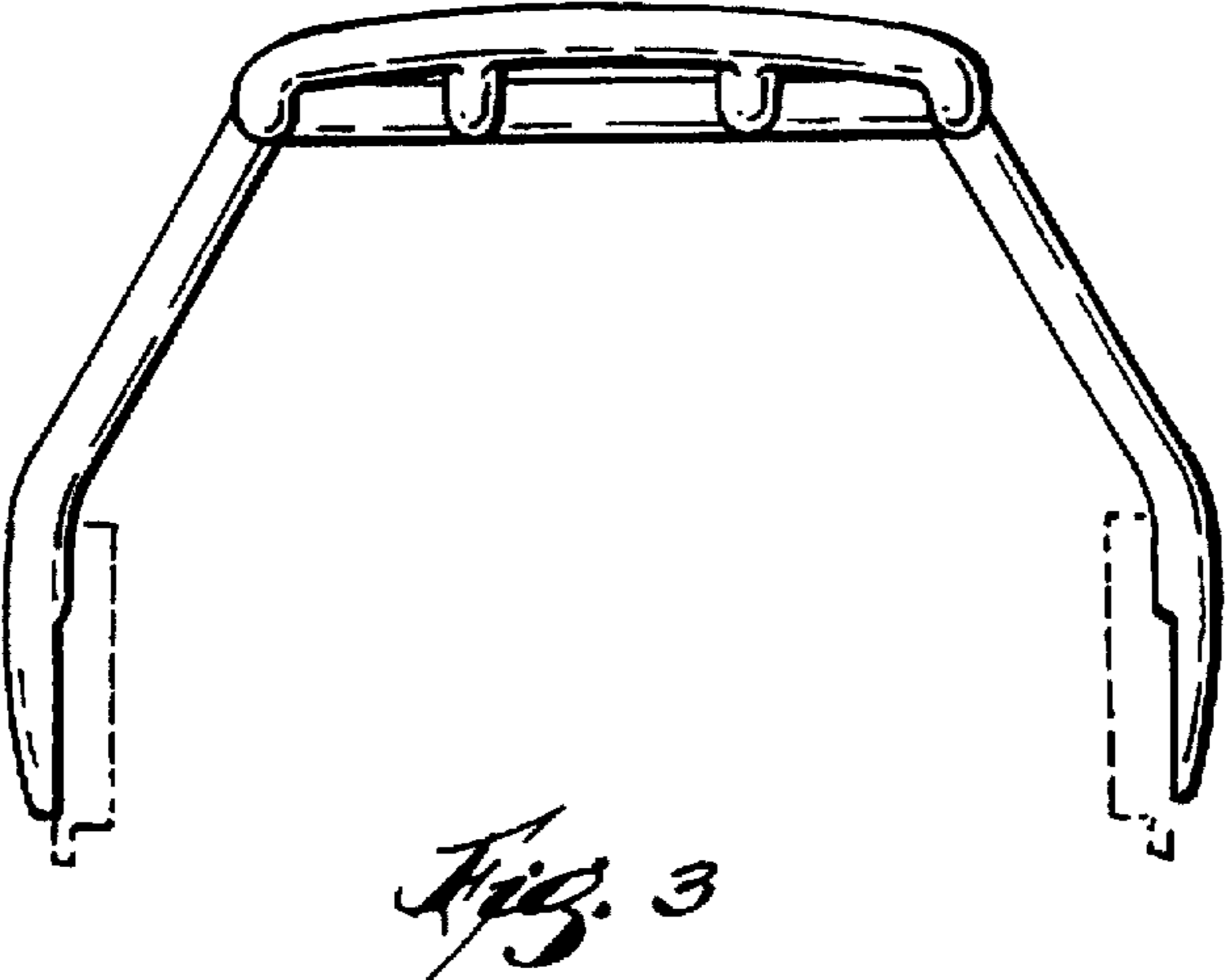
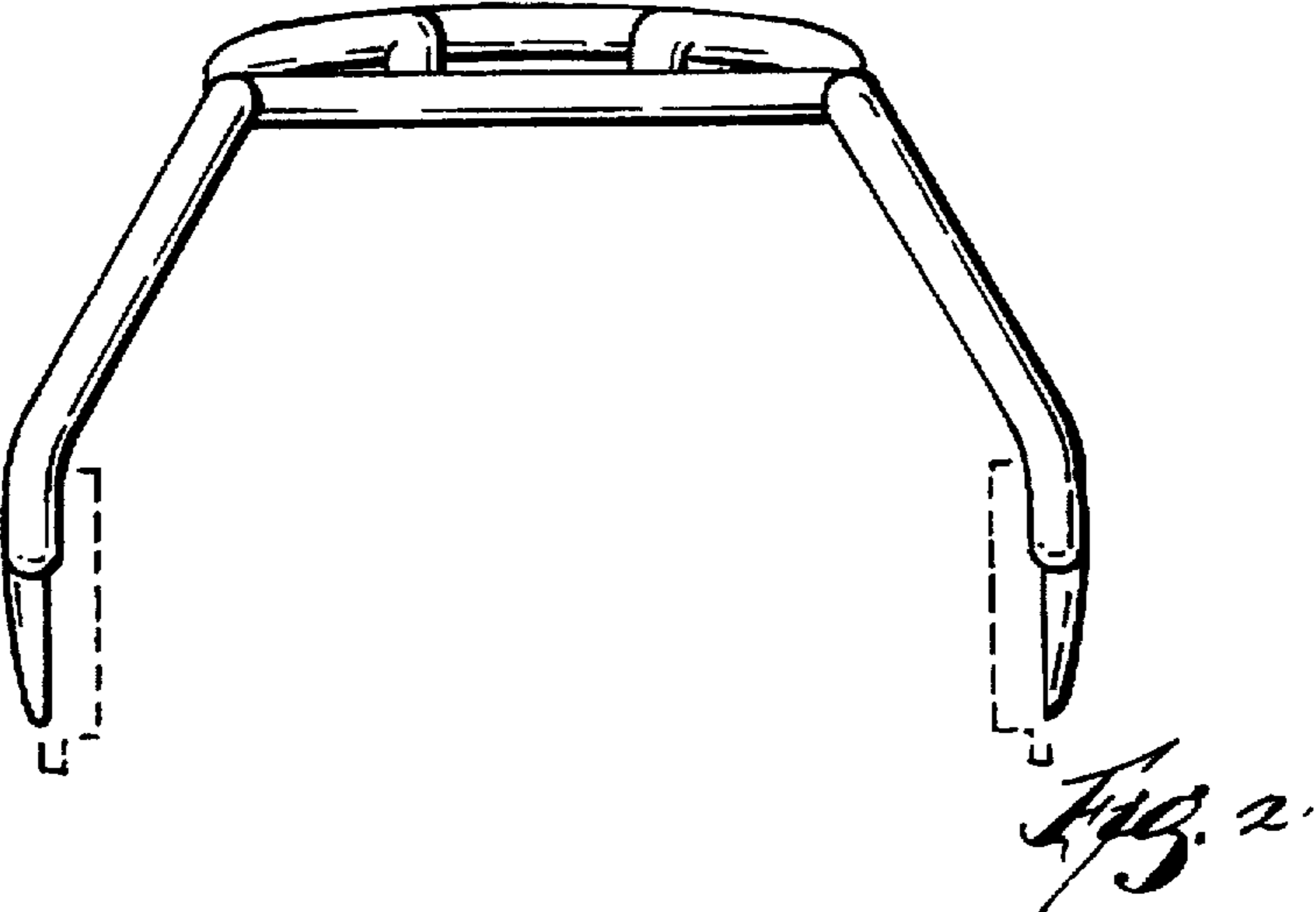
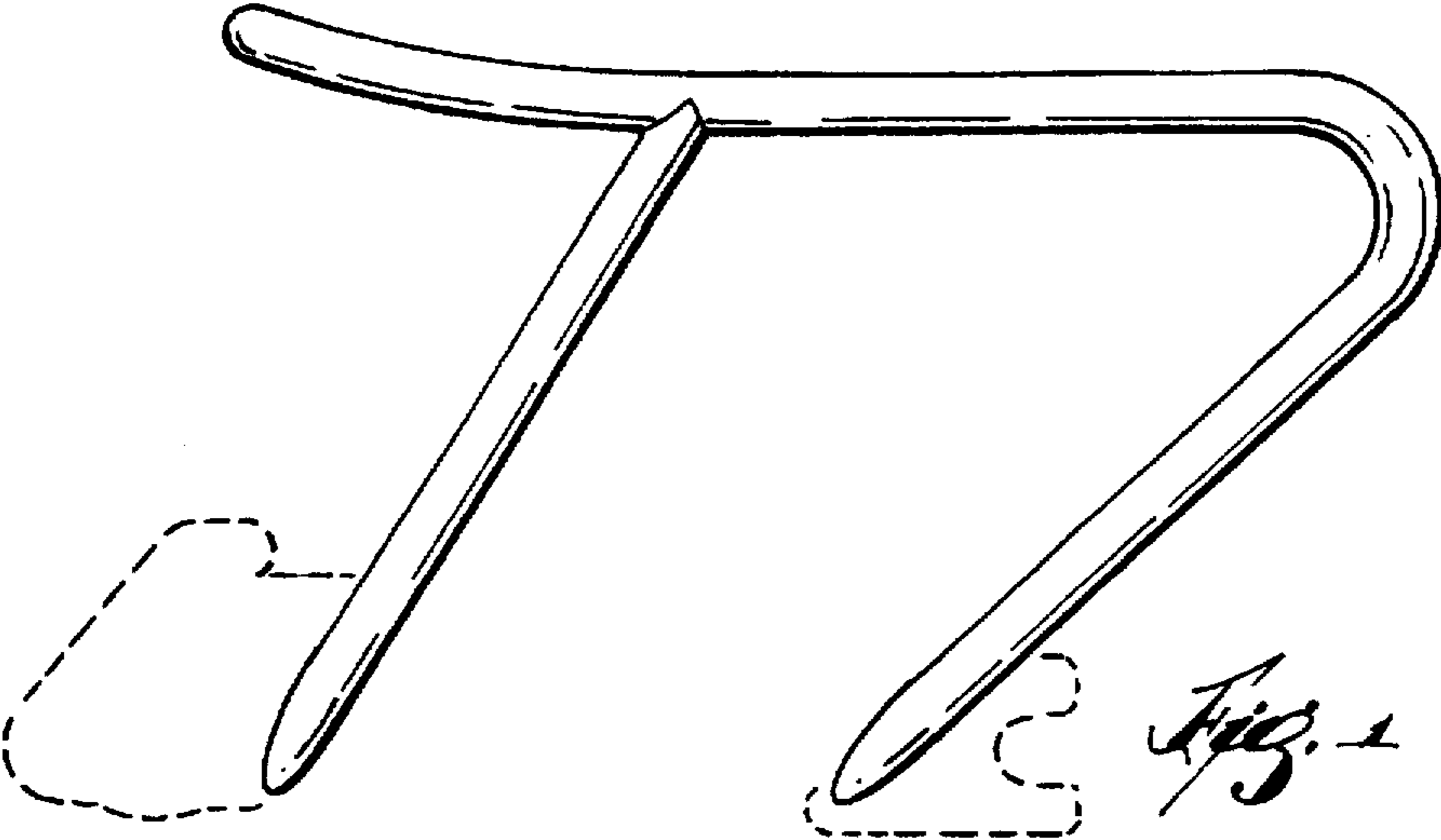
[56] **References Cited**

U.S. PATENT DOCUMENTS

D. 203,960	3/1966	Stone	D12/407
D. 208,895	10/1967	Luht	D12/407
D. 230,965	3/1974	Hellsen	D12/407
D. 244,928	7/1977	Oakes	D12/407
D. 255,561	6/1980	Gogan	D12/407
D. 276,331	11/1984	Heiman et al.	D12/407
D. 374,422	10/1996	Gogan et al.	D12/407
4,032,189	6/1977	Benavente et al.	297/352

1 Claim, 2 Drawing Sheets





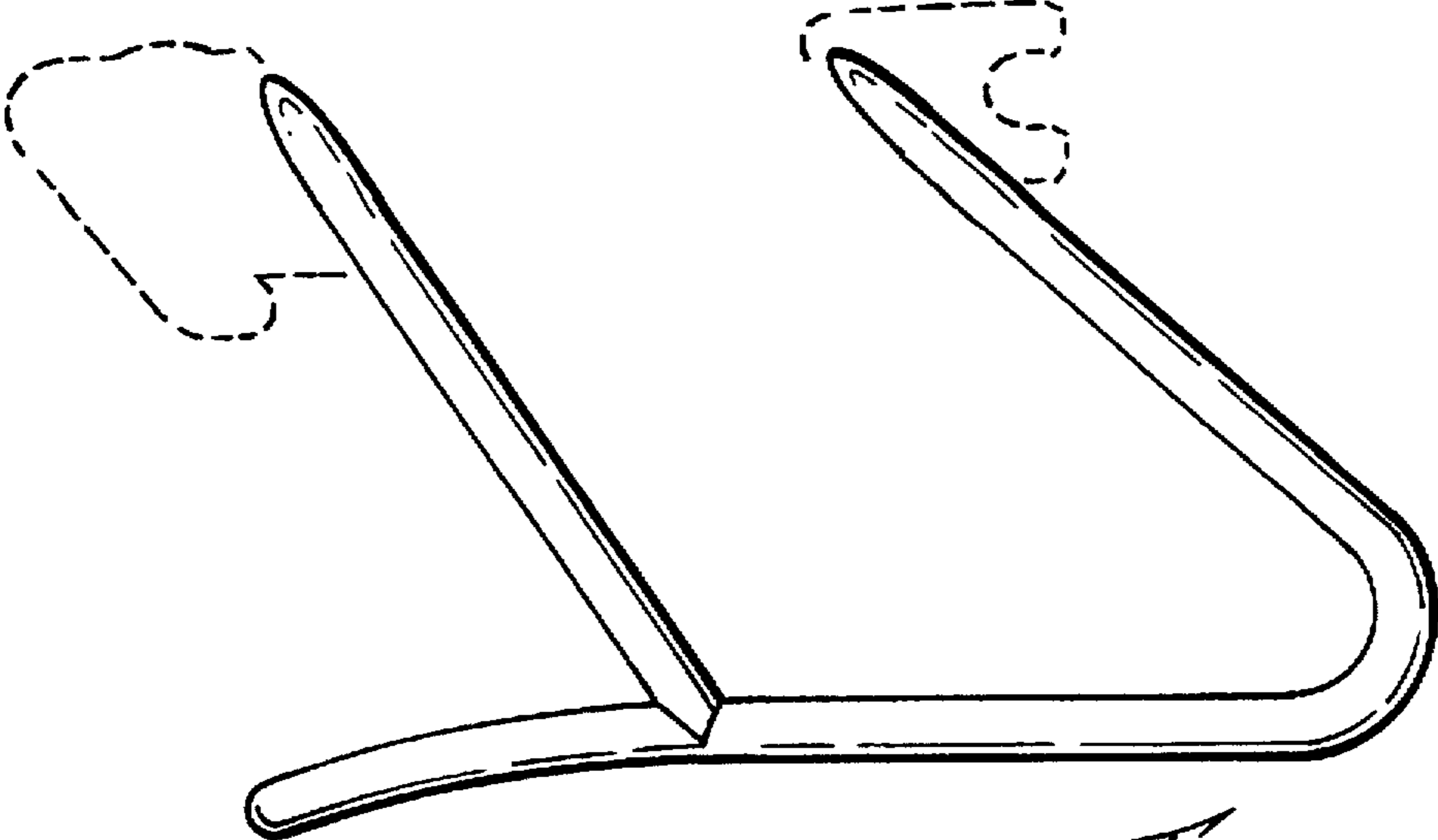


Fig. 4

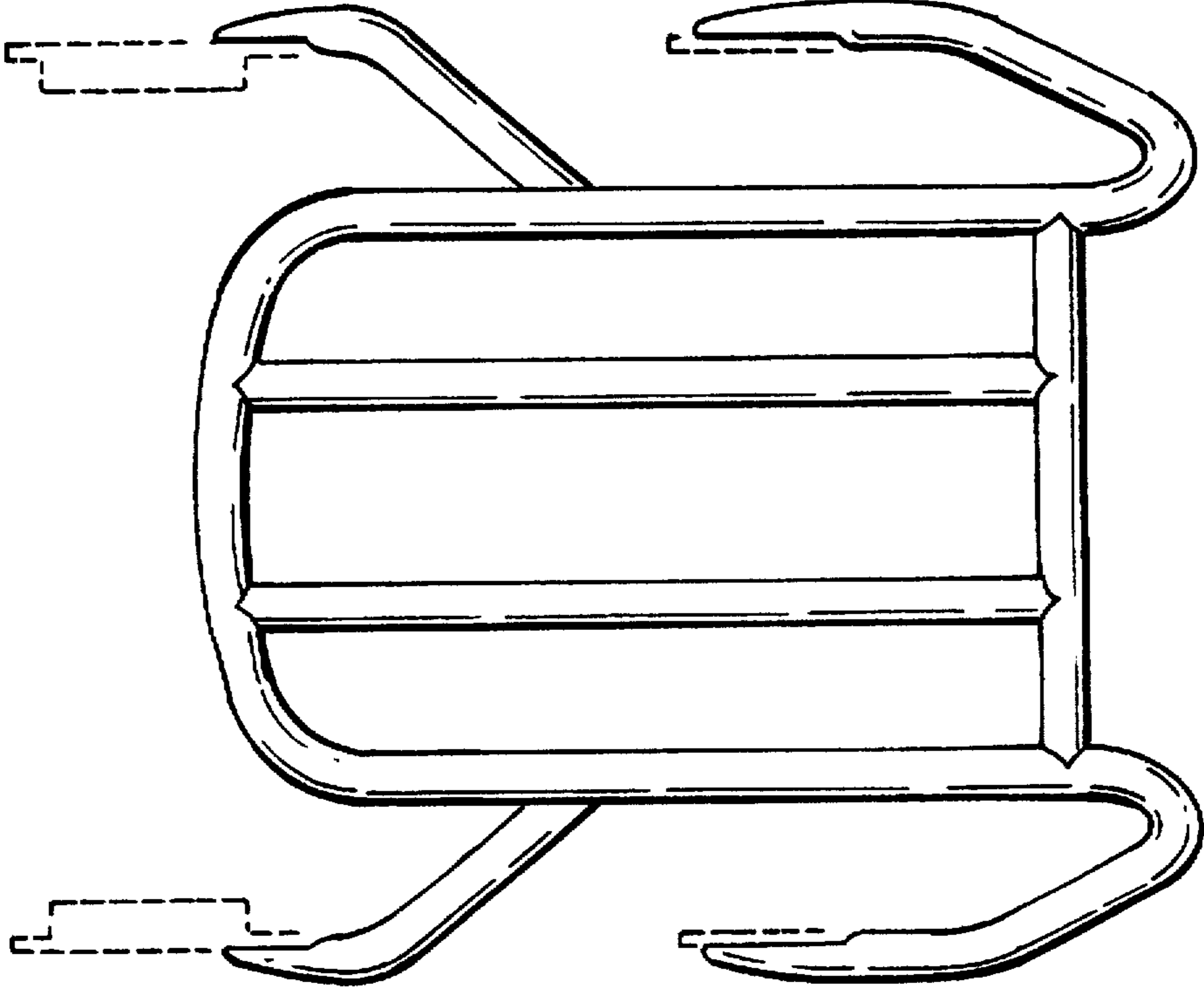


Fig. 5