



US00D392246S

United States Patent [19]

Anderson

[11] Patent Number: **Des. 392,246**

[45] Date of Patent: ****Mar. 17, 1998**

[54] **TRUCK BALLAST APPARATUS**

[76] Inventor: **Robin E. Anderson, 2731 E. 6th St., Superior, Wis. 54880**

[**] Term: **14 Years**

[21] Appl. No.: **67,359**

[22] Filed: **Mar. 5, 1997**

[51] LOC (6) Cl. **12-16**

[52] U.S. Cl. **D12/400; D12/414**

[58] Field of Search D12/400, 406, D12/412-414; D25/114-118; 296/37.6; 224/400-403

[56] **References Cited**

U.S. PATENT DOCUMENTS

D. 225,846	1/1973	Cruzen, Jr.	D25/118
2,482,556	9/1949	Petras	D25/118
4,190,281	2/1980	Chandler	296/37.6
4,303,367	12/1981	Bott	224/403 X
4,917,429	4/1990	Giger	296/37.6
5,215,205	6/1993	Behlman	224/42.42
5,366,124	11/1994	Dearbron, IV	224/42.46
5,366,189	11/1994	Thompson	224/42.42
5,423,463	6/1995	Weeks	224/42.42

5,526,972	6/1996	Frazier et al.	224/403 X
5,597,193	1/1997	Conner	296/37.6
5,603,439	2/1997	Pineda	224/403

Primary Examiner—James Gandy

Assistant Examiner—Stacia Sinuik

[57] **CLAIM**

The ornamental design for a truck ballast apparatus, as shown and described.

DESCRIPTION

FIG. 1 is a top plan view of the truck ballast apparatus of the present invention;

FIG. 2 is a bottom plan view of the truck ballast apparatus of FIG. 1;

FIG. 3 is a left side plan view of the truck ballast apparatus of FIG. 1;

FIG. 4 is a right side plan view of the truck ballast apparatus of FIG. 1;

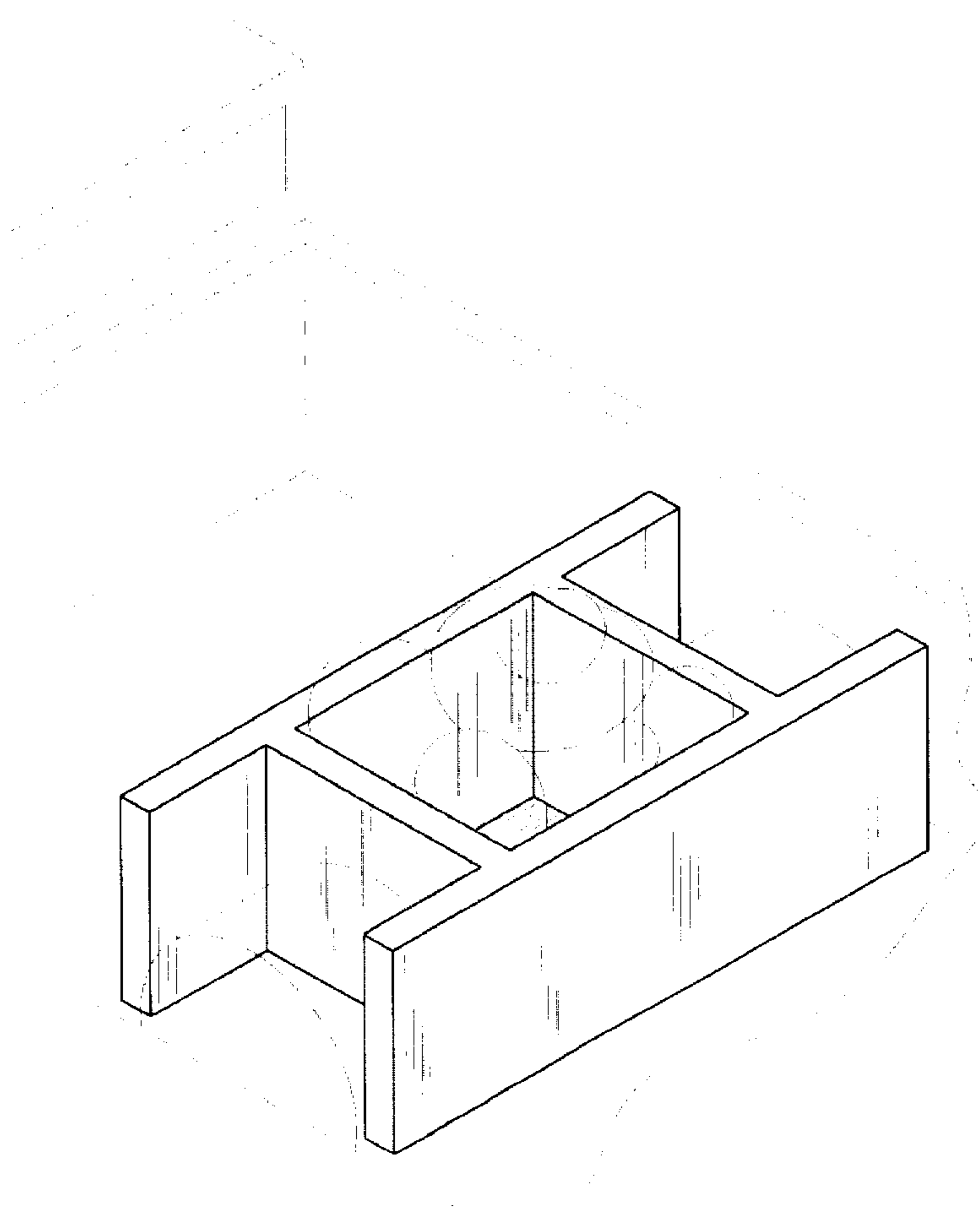
FIG. 5 is a front plan view of the truck ballast apparatus of FIG. 1;

FIG. 6 is a back side plan view of the truck ballast apparatus of FIG. 1; and,

FIG. 7 is a top, front, right side perspective view of the truck ballast apparatus of FIG. 1.

The broken line showing of environment is for illustrative purposes only and forms no part of the claimed design.

1 Claim, 4 Drawing Sheets



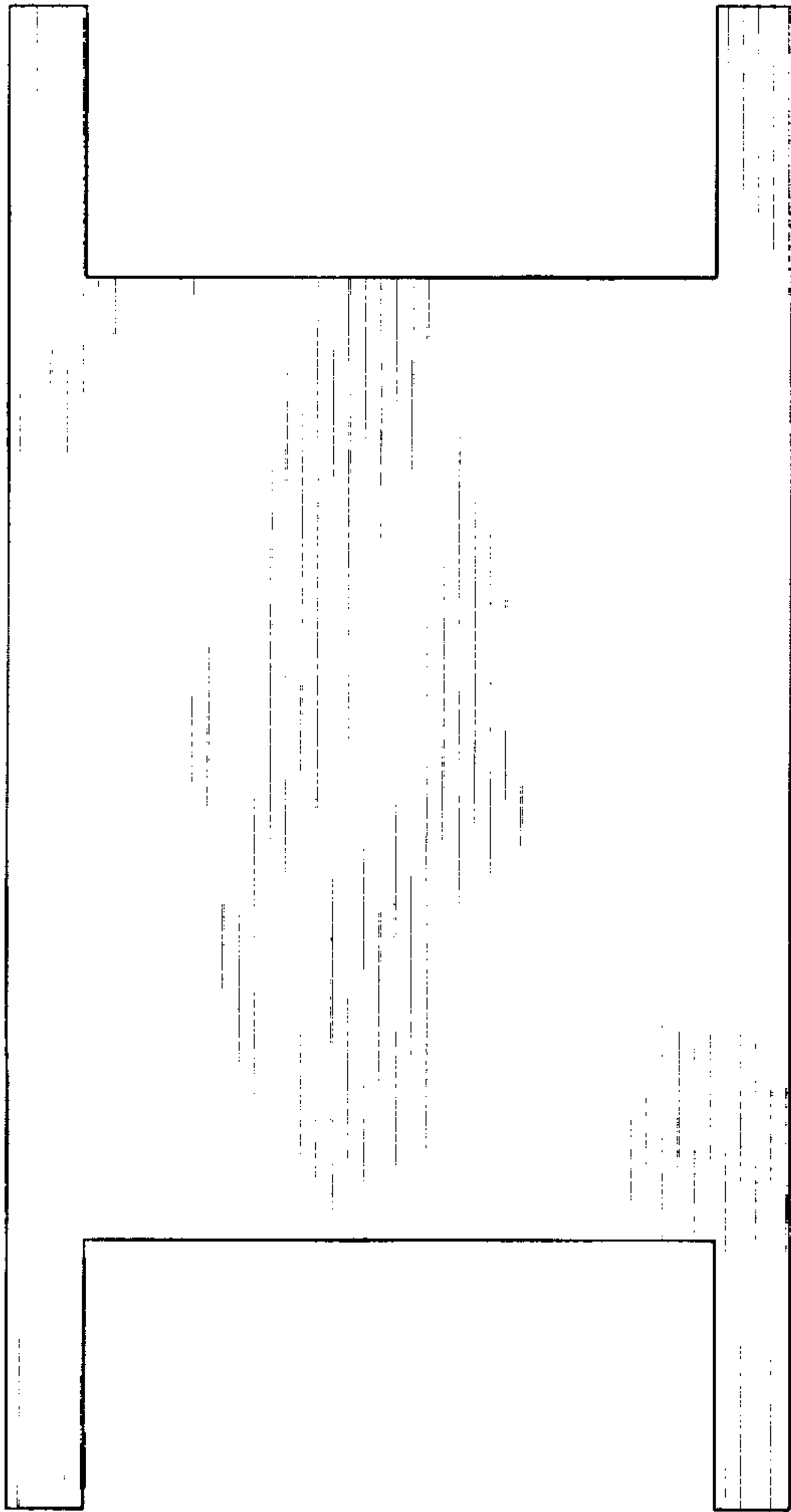


Fig. 1

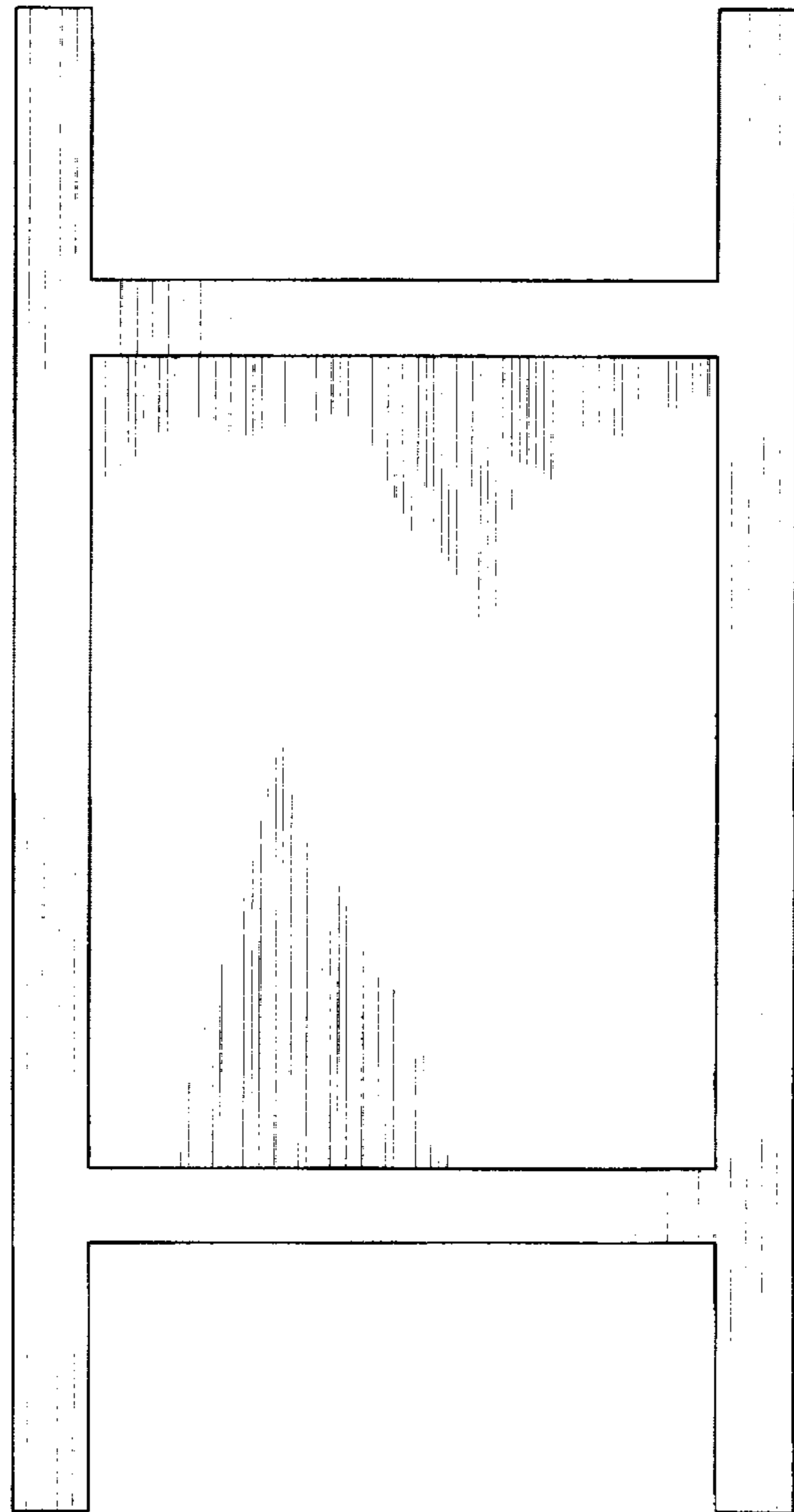


Fig. 2

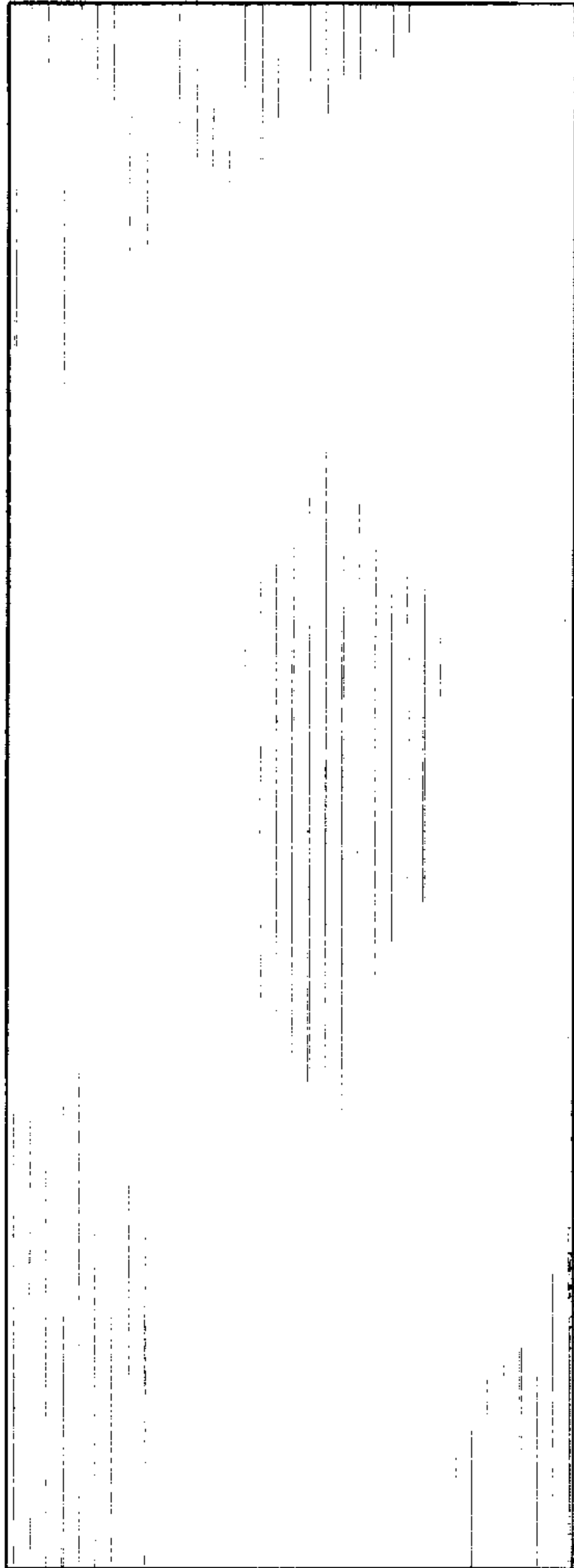


Fig. 3

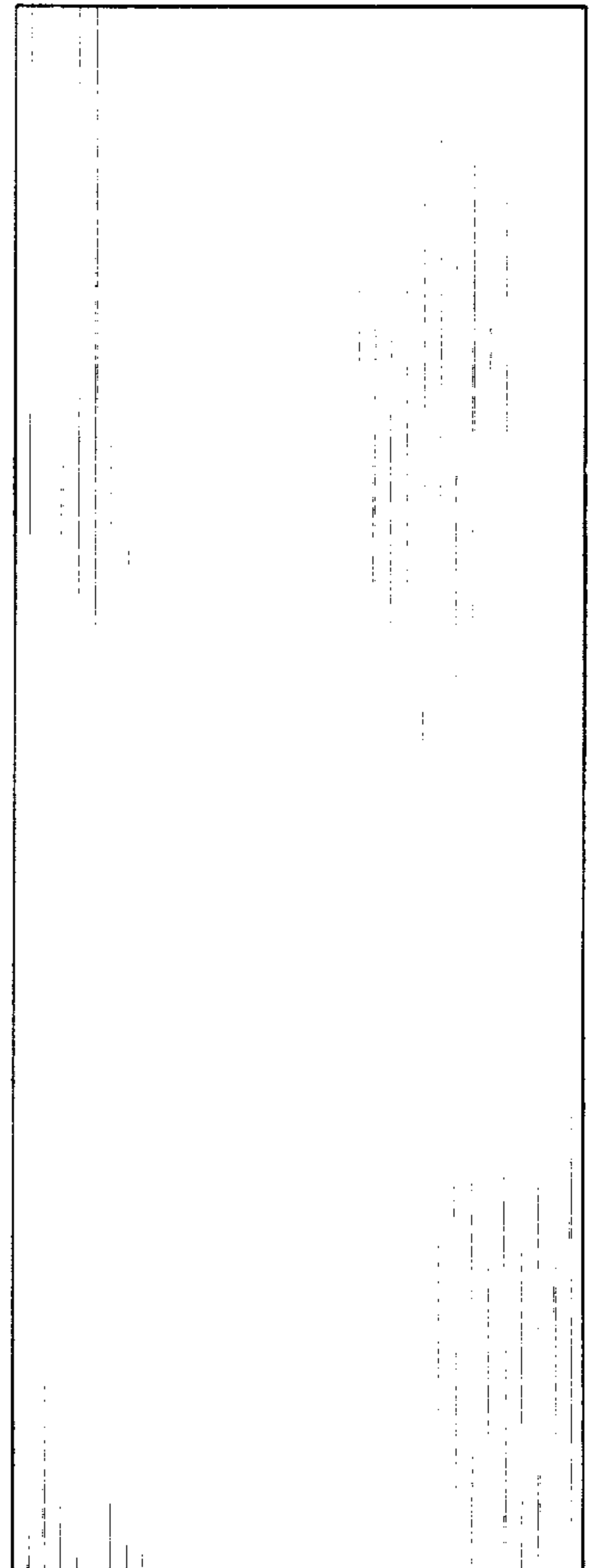


Fig. 4

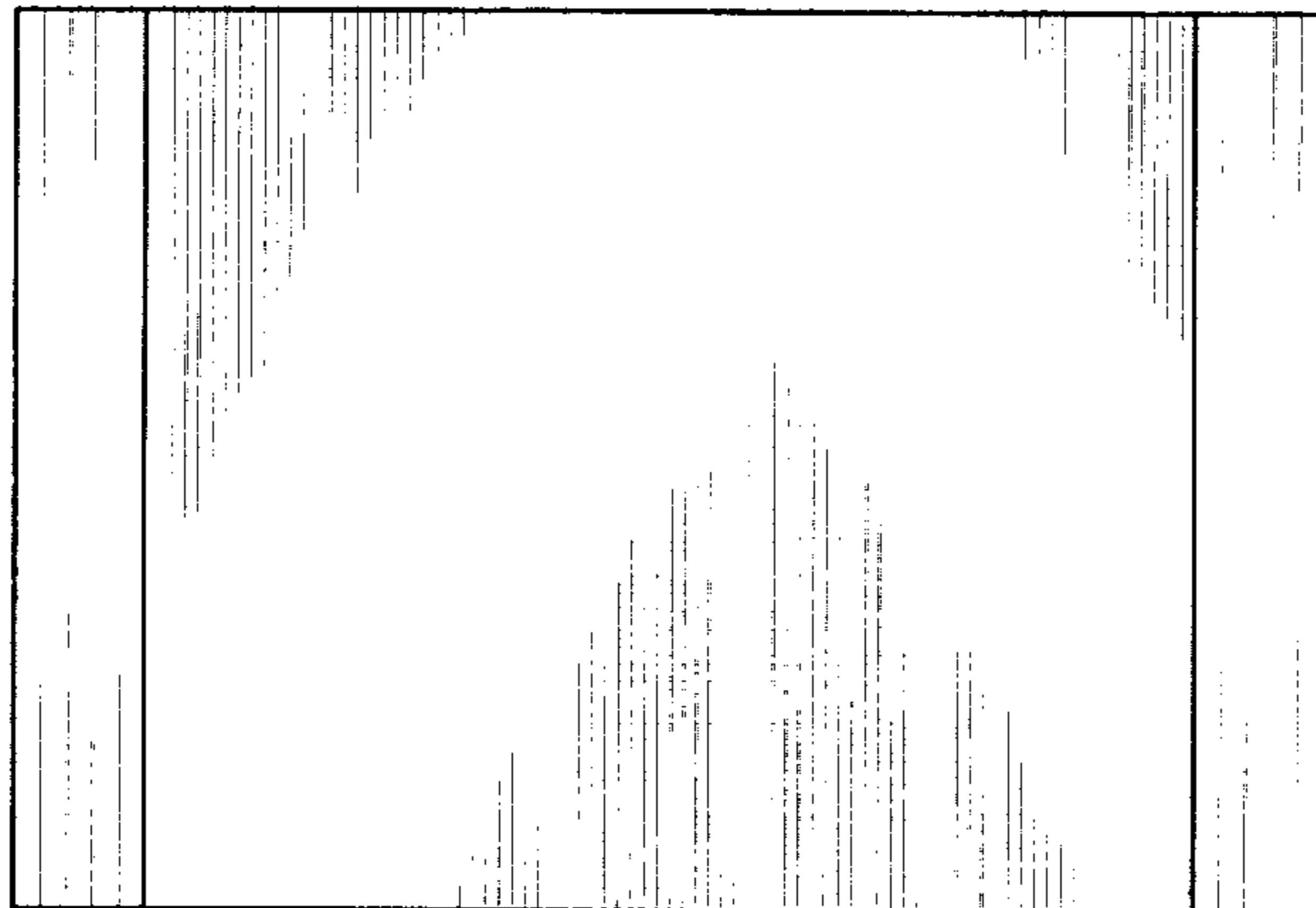


Fig. 5

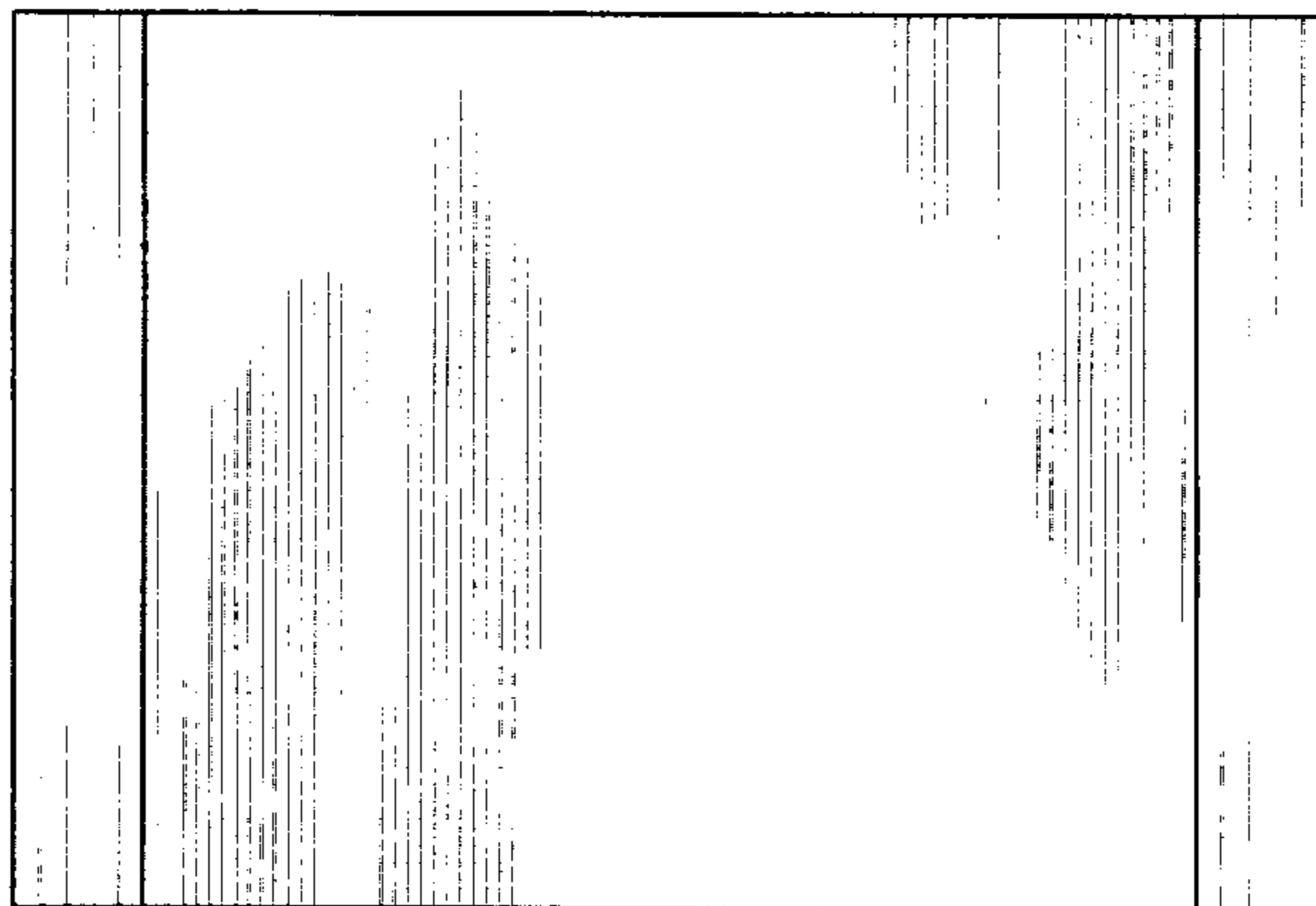


Fig. 6

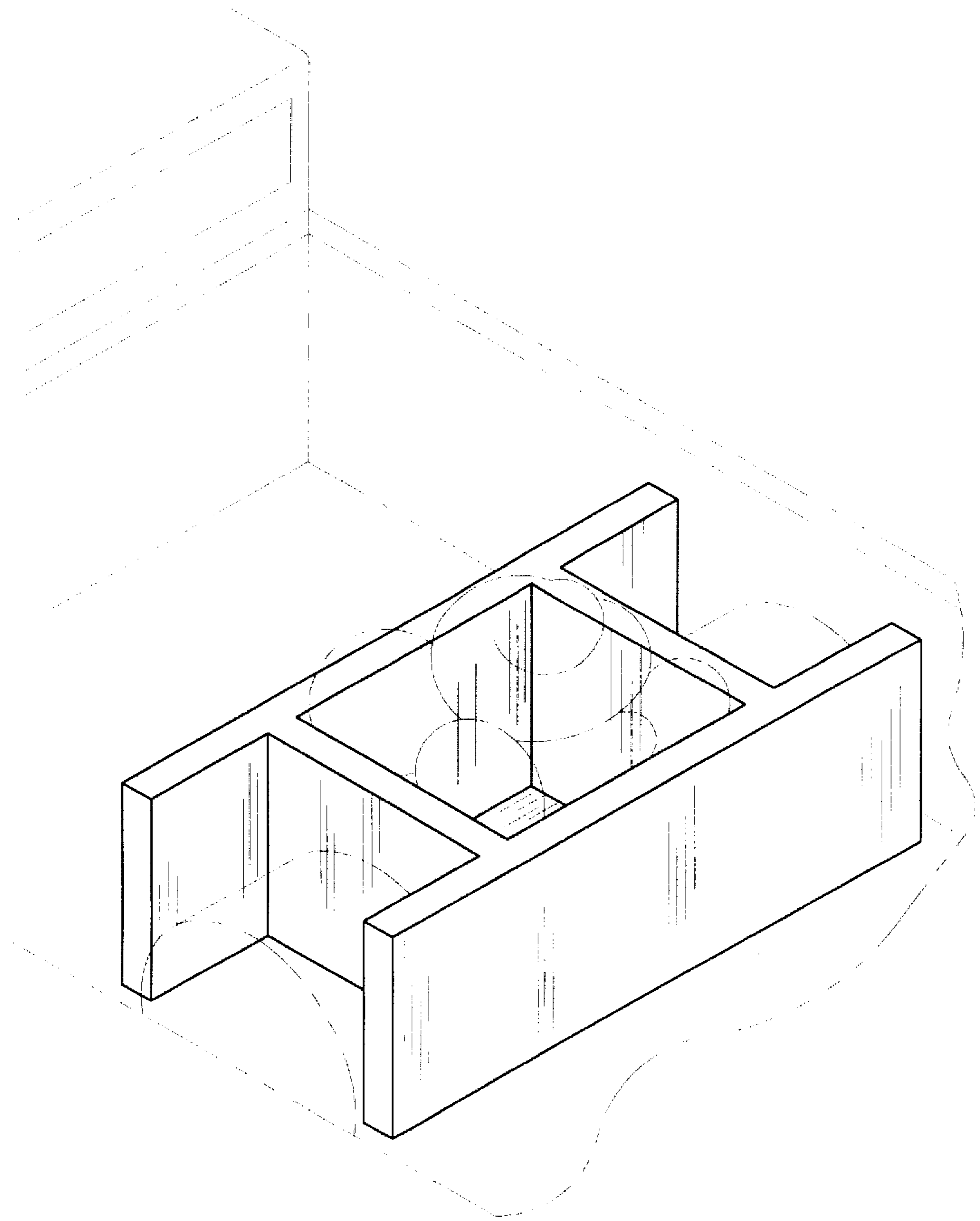


Fig. 7