



US00D392243S

United States Patent [19]

Anderson

[11] Patent Number: **Des. 392,243**

[45] Date of Patent: ****Mar. 17, 1998**

[54] CANOPY FOR WATER-CRAFT

5,000,210 3/1991 Worthington, Jr. 135/90
5,452,678 9/1995 Simpkins 114/361

[76] Inventor: **Carl Anderson**, 1011 Capouse Ave.,
Scranton, Pa. 18509

Primary Examiner—Kay H. Chin
Attorney, Agent, or Firm—Helfgott & Karas, P.C.

[**] Term: **14 Years**

[57] **CLAIM**

[21] Appl. No.: **57,809**

The ornamental design for a canopy for water-craft, as shown and described.

[22] Filed: **Aug. 1, 1996**

DESCRIPTION

[51] LOC (6) Cl. **12-06**

[52] U.S. Cl. **D12/317; D12/318**

[58] Field of Search D12/300, 315,
D12/317, 318, 133; 114/361, 343, 364;
135/87, 88.01, 90, 117

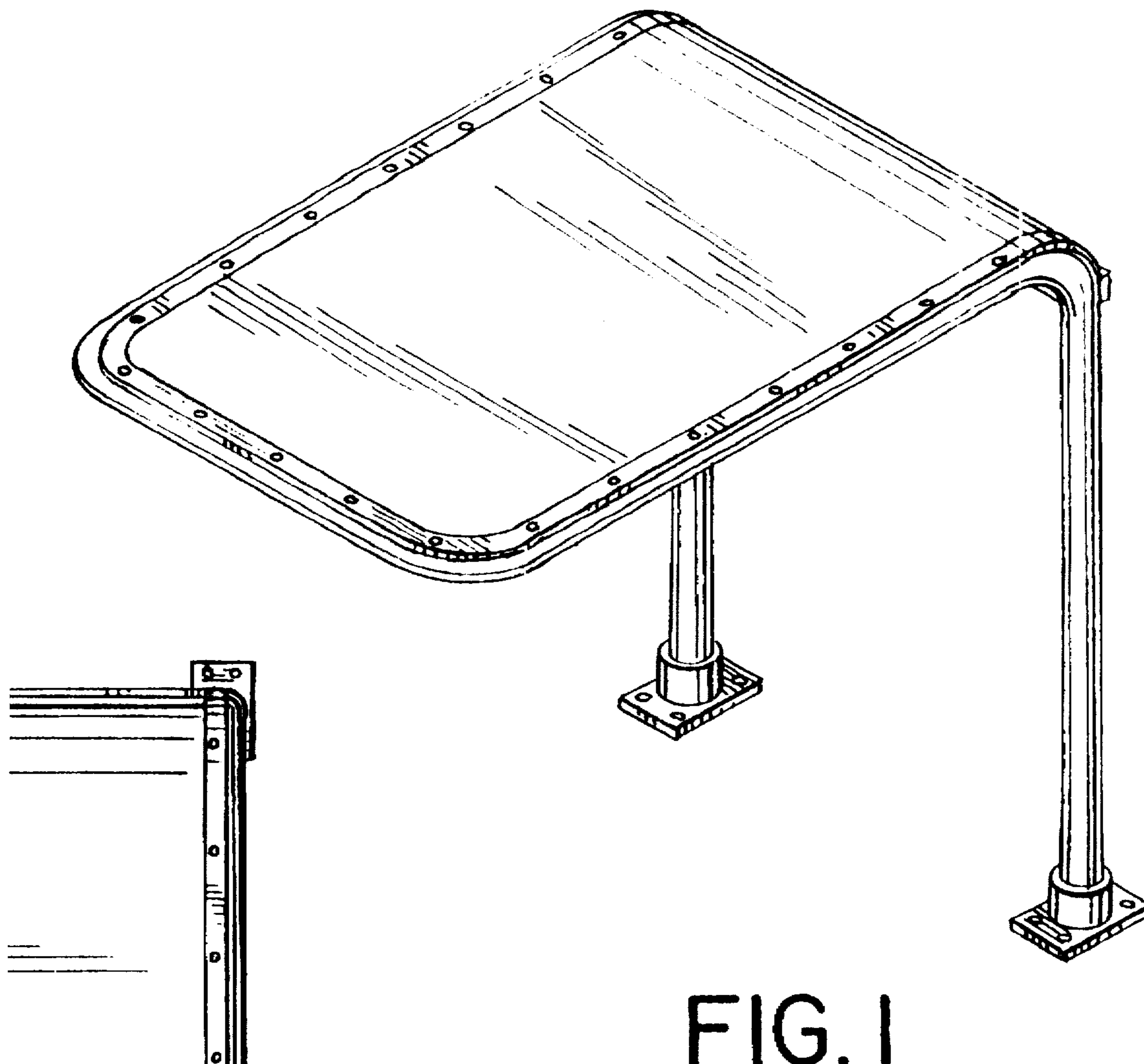
FIG. 1 is a perspective view of a canopy for water-craft showing my new design;
FIG. 2 is a top plan view;
FIG. 3 is a front side elevational view;
FIG. 4 is a right side elevational view, the left side being a mirror image thereof;
FIG. 5 is a rear side elevational view; and,
FIG. 6 is a bottom plan view thereof.

[56] References Cited

U.S. PATENT DOCUMENTS

D. 311,169 10/1990 Hoese D12/318
2,836,187 5/1958 Dunnagan 135/90
3,428,976 2/1969 Robinson 114/361

1 Claim, 2 Drawing Sheets



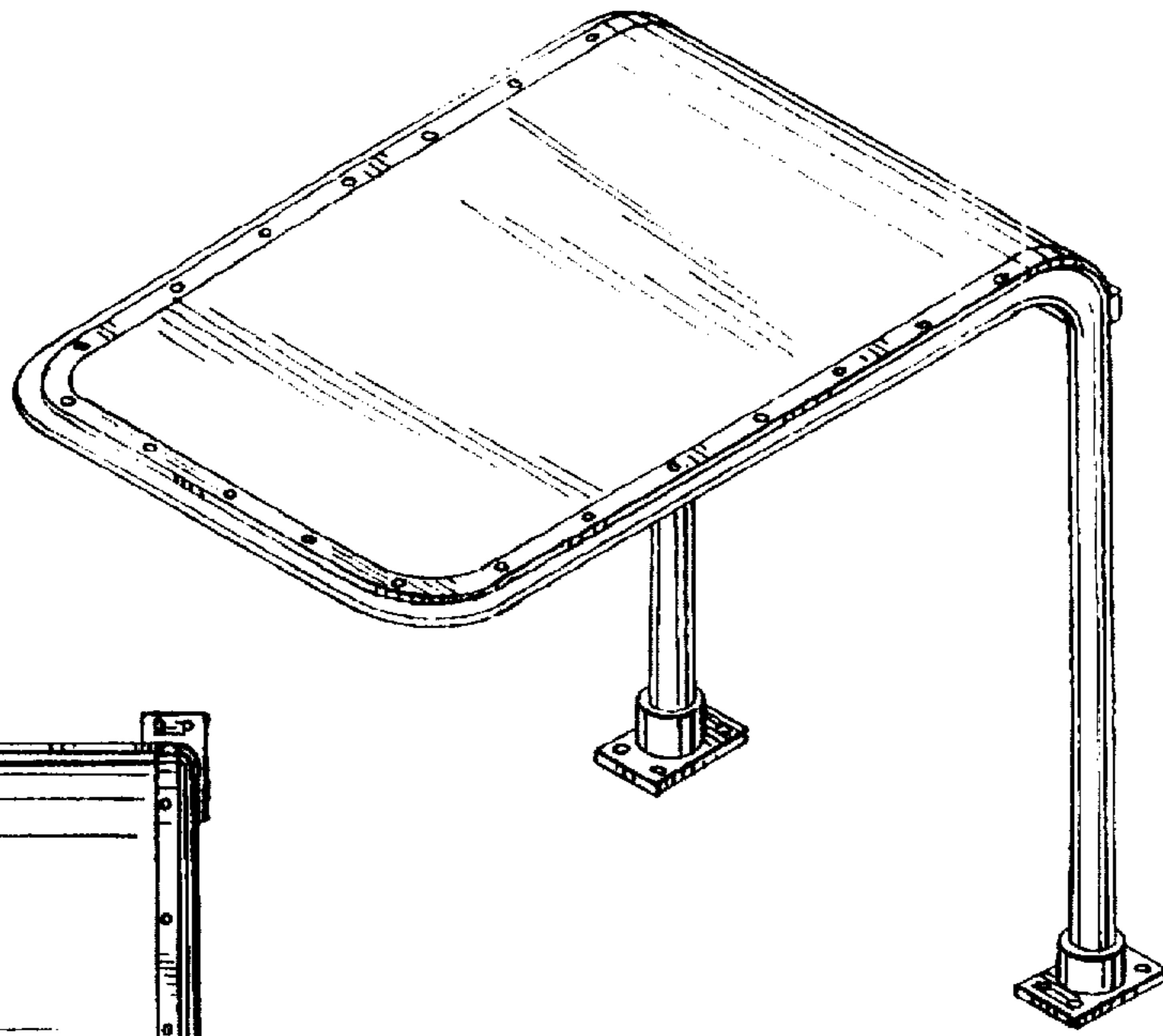


FIG. 1

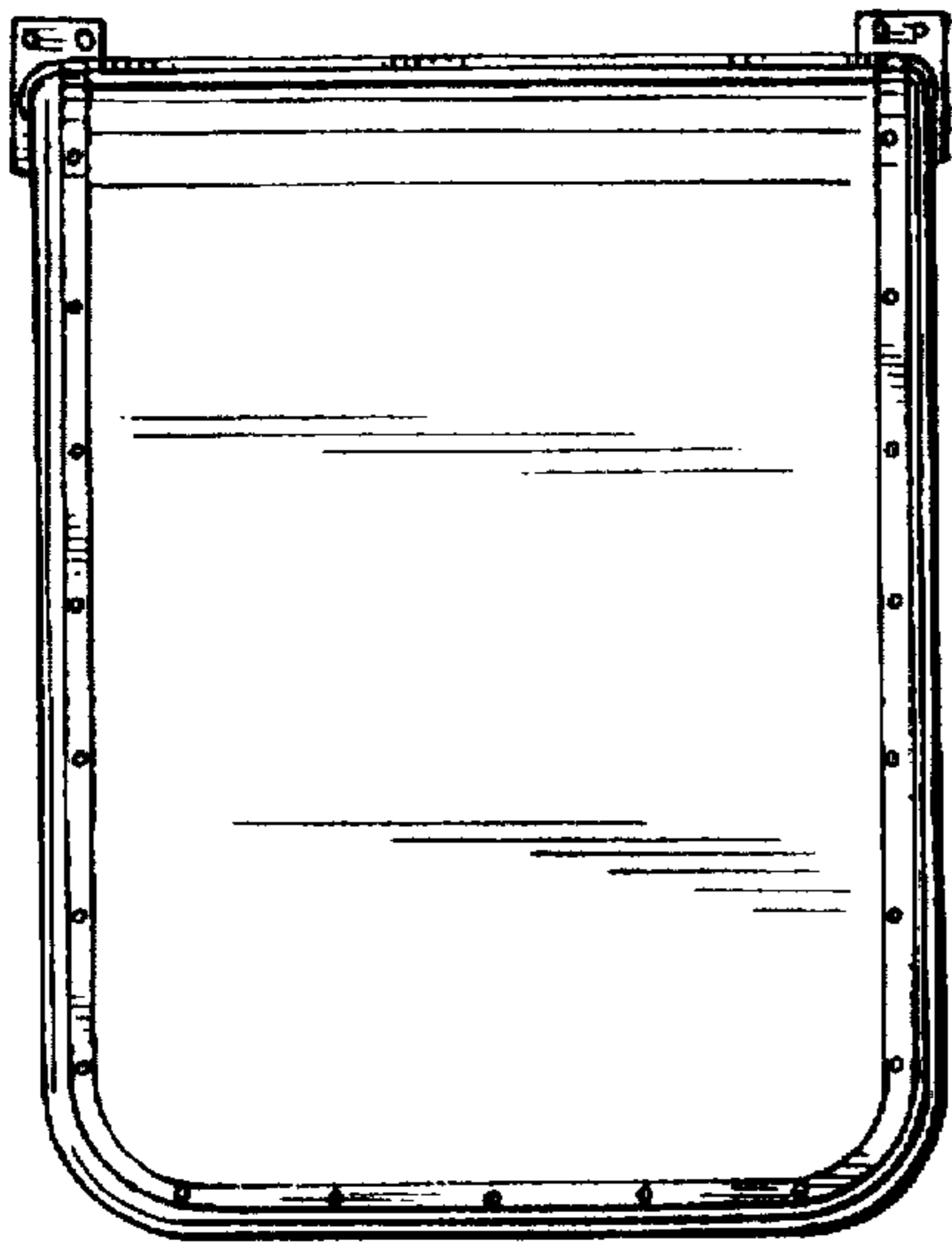


FIG. 2

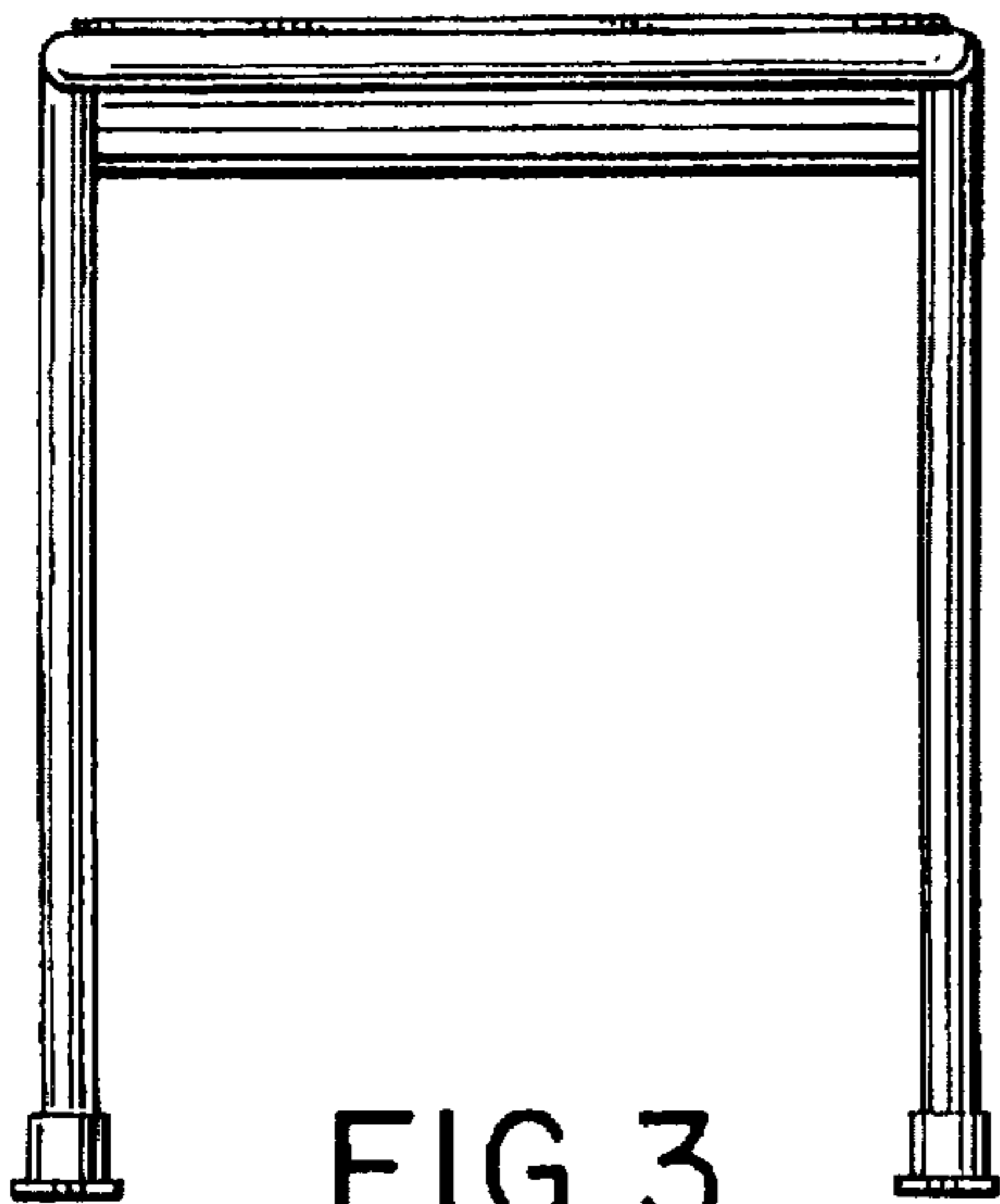


FIG. 3

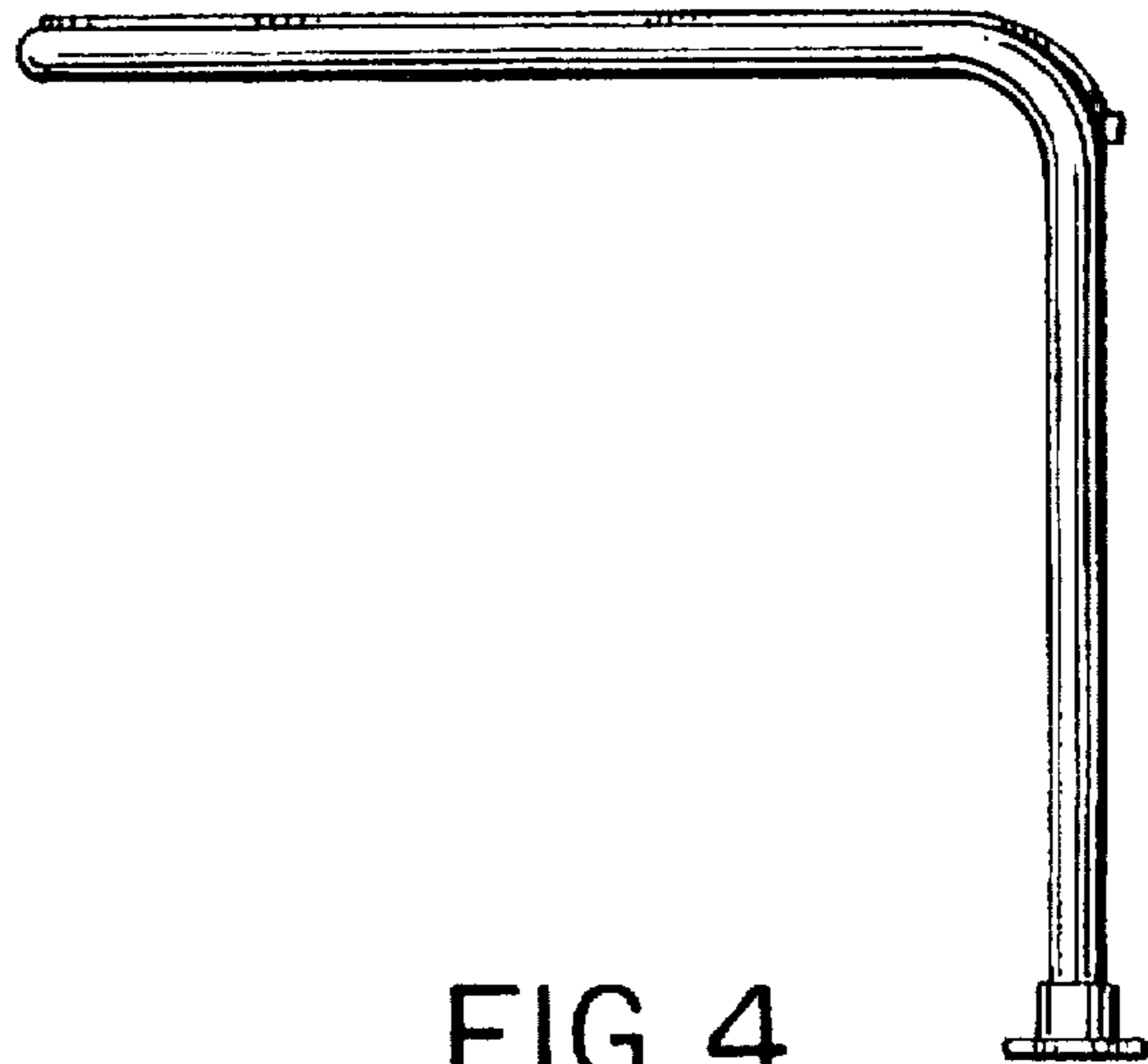


FIG. 4

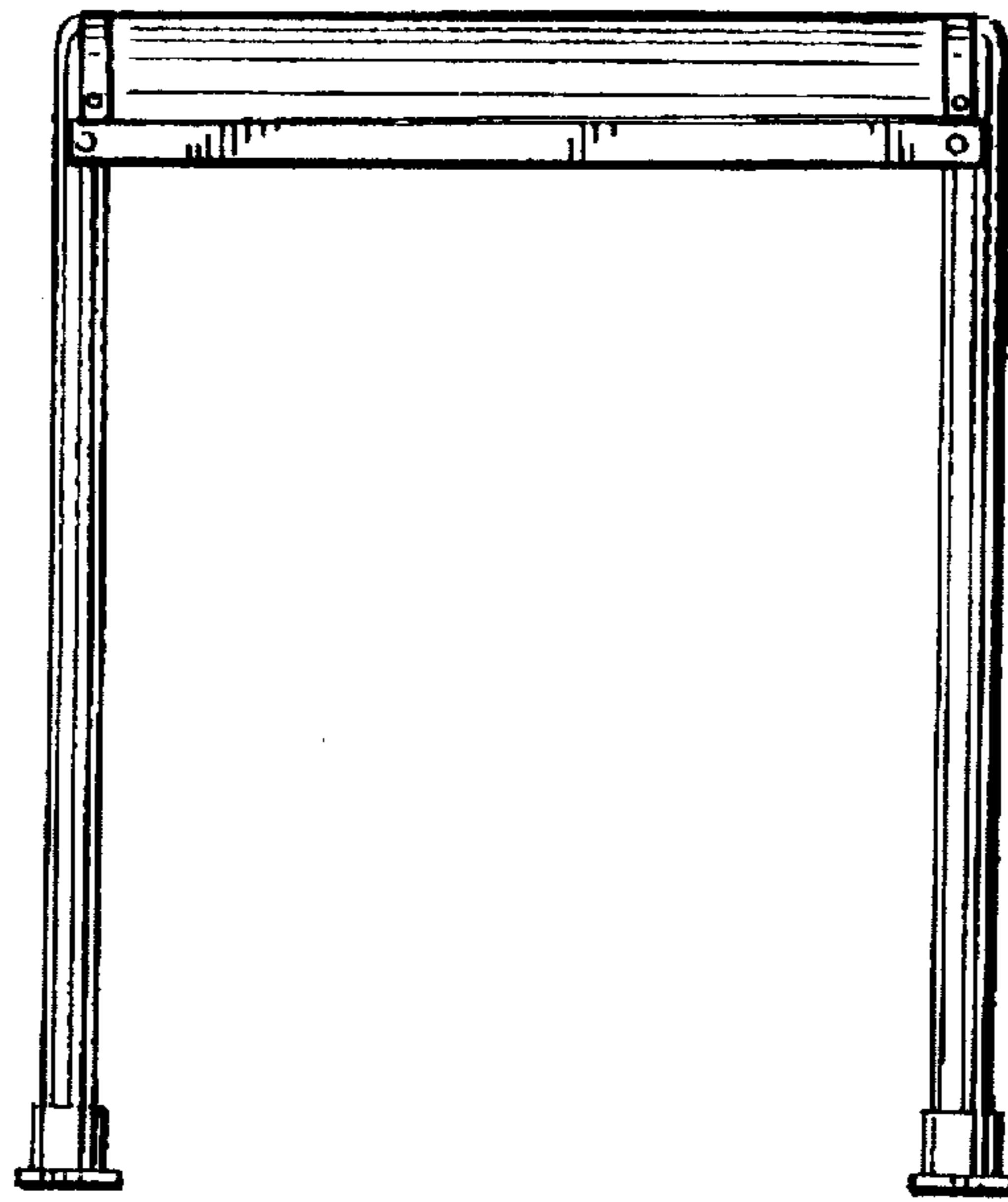


FIG. 5

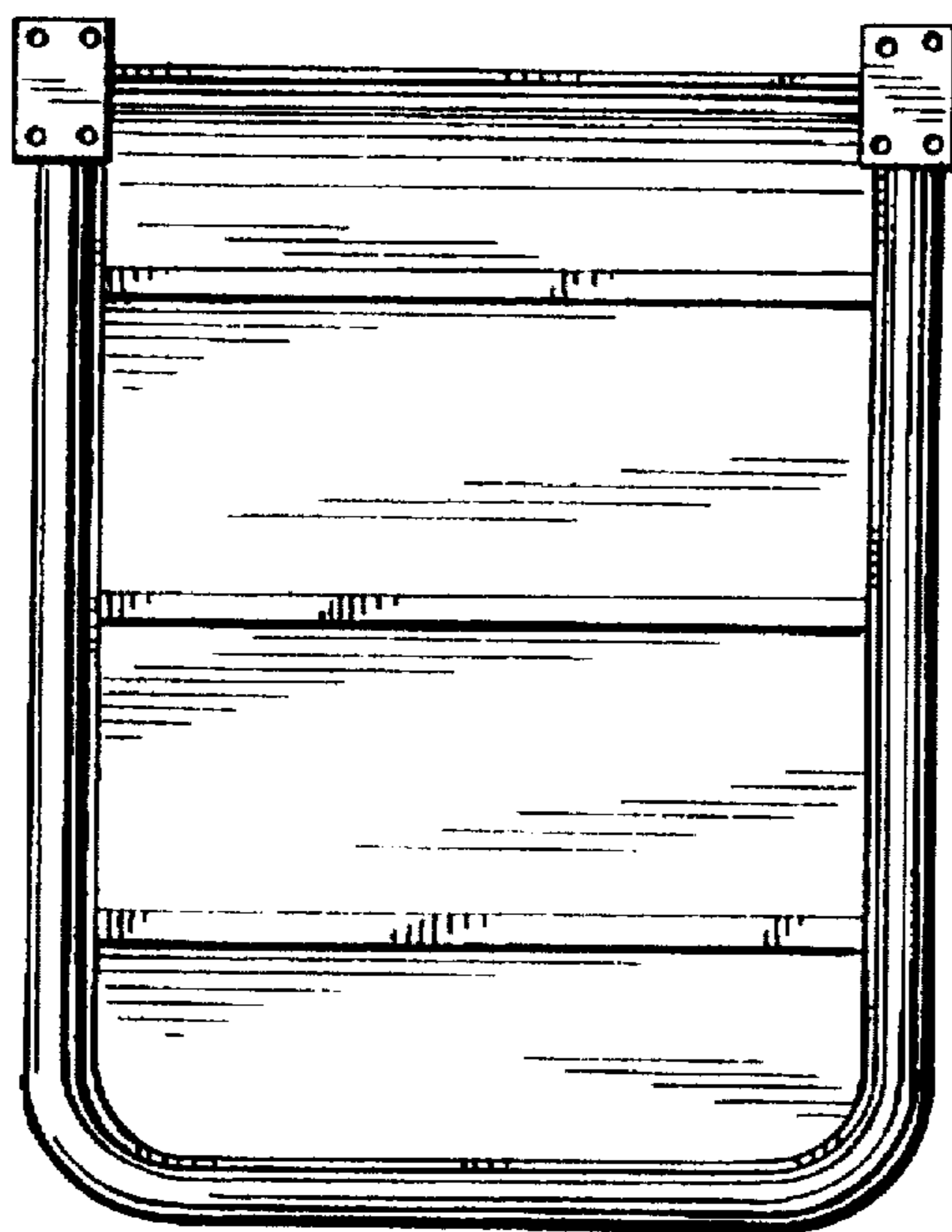


FIG. 6