



US00D392242S

# United States Patent [19]

McCulloh

[11] Patent Number: Des. 392,242

[45] Date of Patent: \*\*Mar. 17, 1998

[54] AERIAL RECLINER FOR PARASAILING

[76] Inventor: Mark McCulloh, 5003 Delvin Ct., Orlando, Fla. 32821

[\*\*] Term: 14 Years

[21] Appl. No.: 48,082

[22] Filed: Dec. 19, 1995

[51] LOC (6) Cl. .... 12-06

[52] U.S. Cl. .... D12/316; D12/300

[58] Field of Search ..... D12/300, 301, D12/302, 316, 317; 114/253, 254, 257, 343; 244/63

[56] **References Cited**

**U.S. PATENT DOCUMENTS**

4,738,414	4/1988	McCulloh	114/253	X
4,807,554	2/1989	Chi-Hung	114/253	X

Primary Examiner—Kay H. Chin  
Attorney, Agent, or Firm—Malloy & Malloy, P.A.

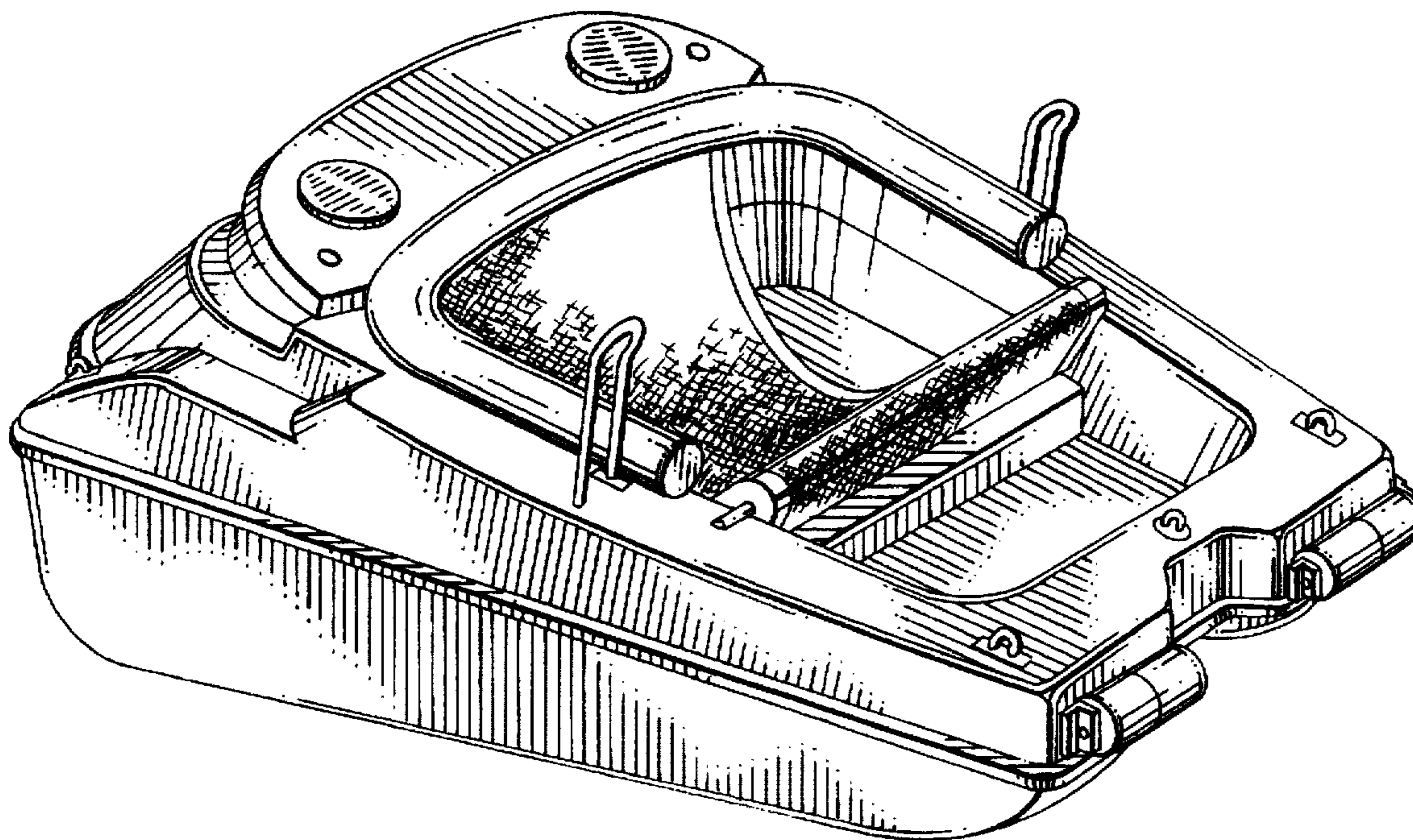
[57] **CLAIM**

The ornamental design for an aerial recliner for parasailing, as shown and described.

**DESCRIPTION**

FIG. 1 is a front perspective view illustrating my new design for an aerial recliner for parasailing;  
FIG. 2 is a right side elevation view thereof;  
FIG. 3 is a rear elevation view thereof;  
FIG. 4 is a left side elevation view thereof;  
FIG. 5 is a top plan view thereof;  
FIG. 6 is a bottom plan view thereof;  
FIG. 7 is a front elevation view thereof; and,  
FIG. 8 is a perspective view illustrating my design for an aerial recliner during parasailing.

**1 Claim, 3 Drawing Sheets**



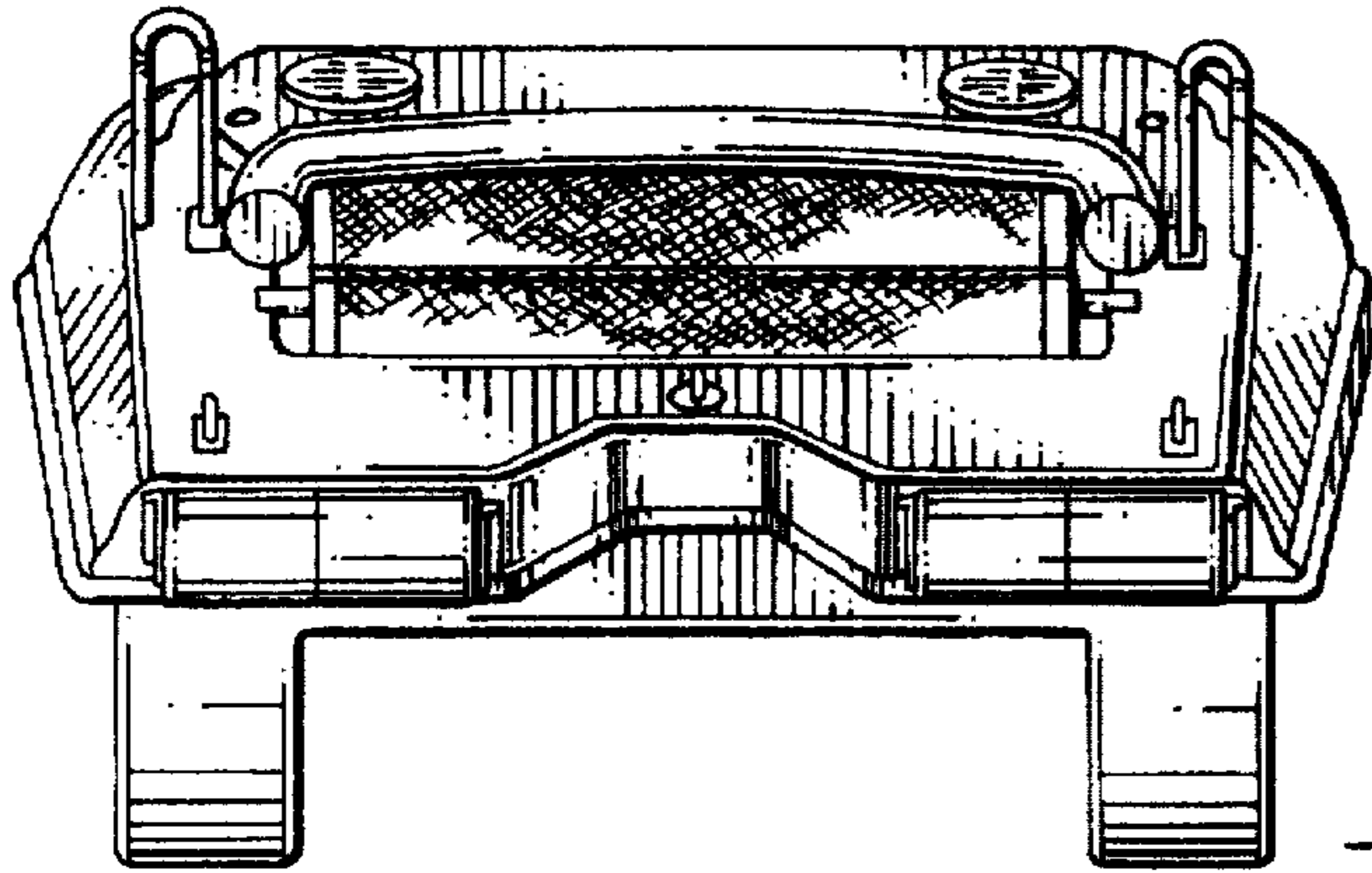


FIG. 1

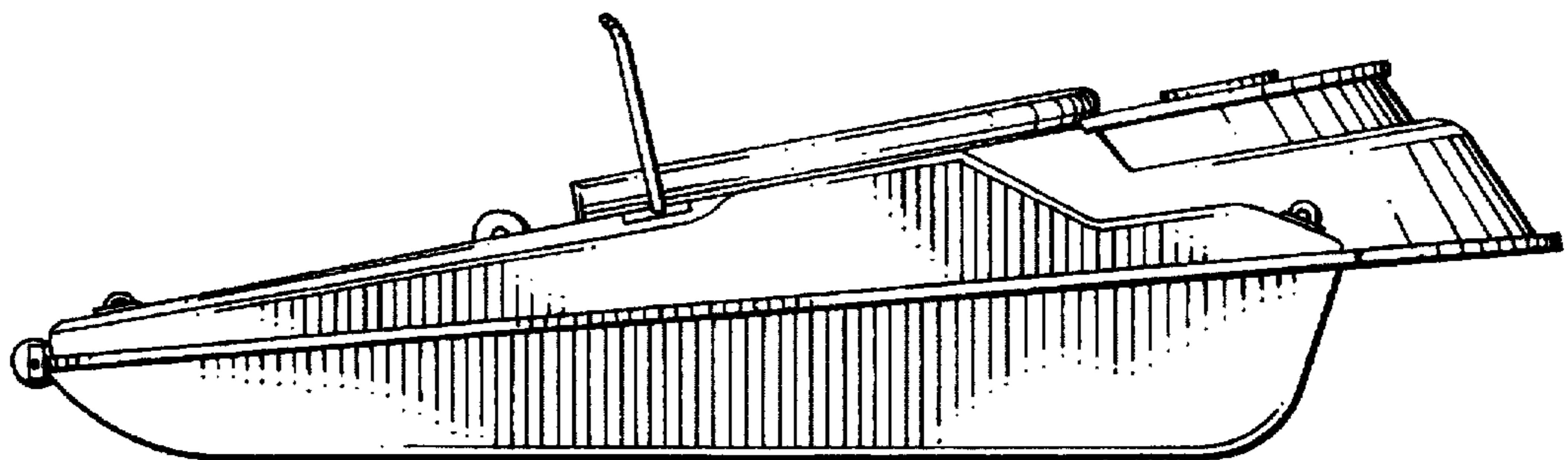


FIG. 2

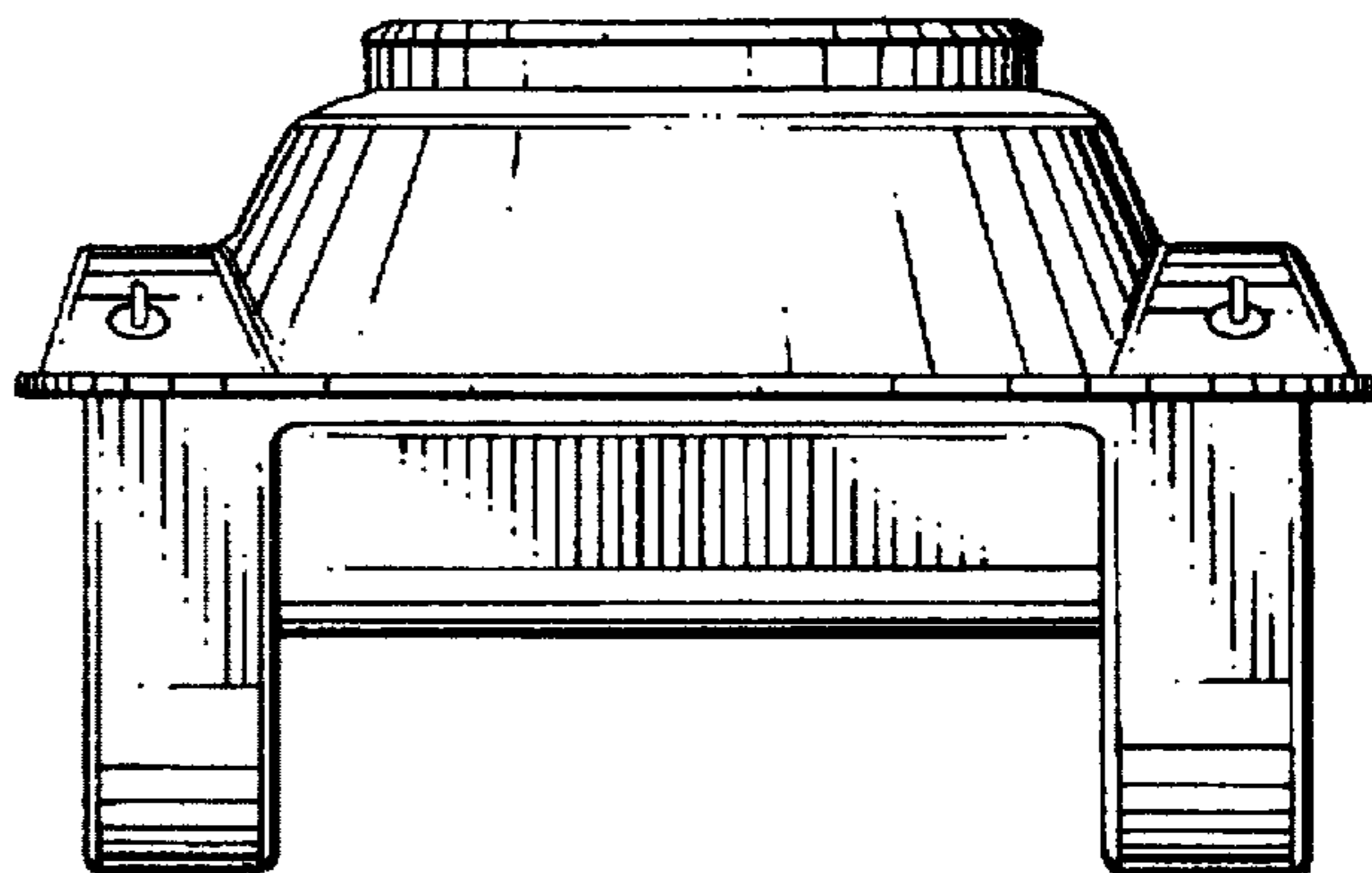


FIG. 3

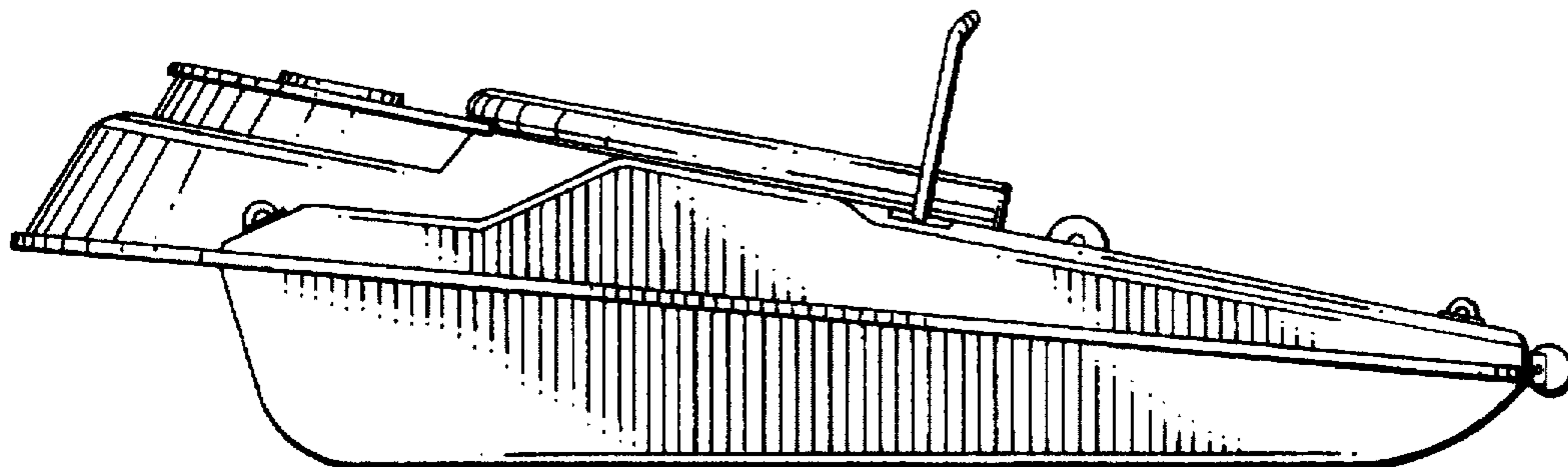


FIG. 4

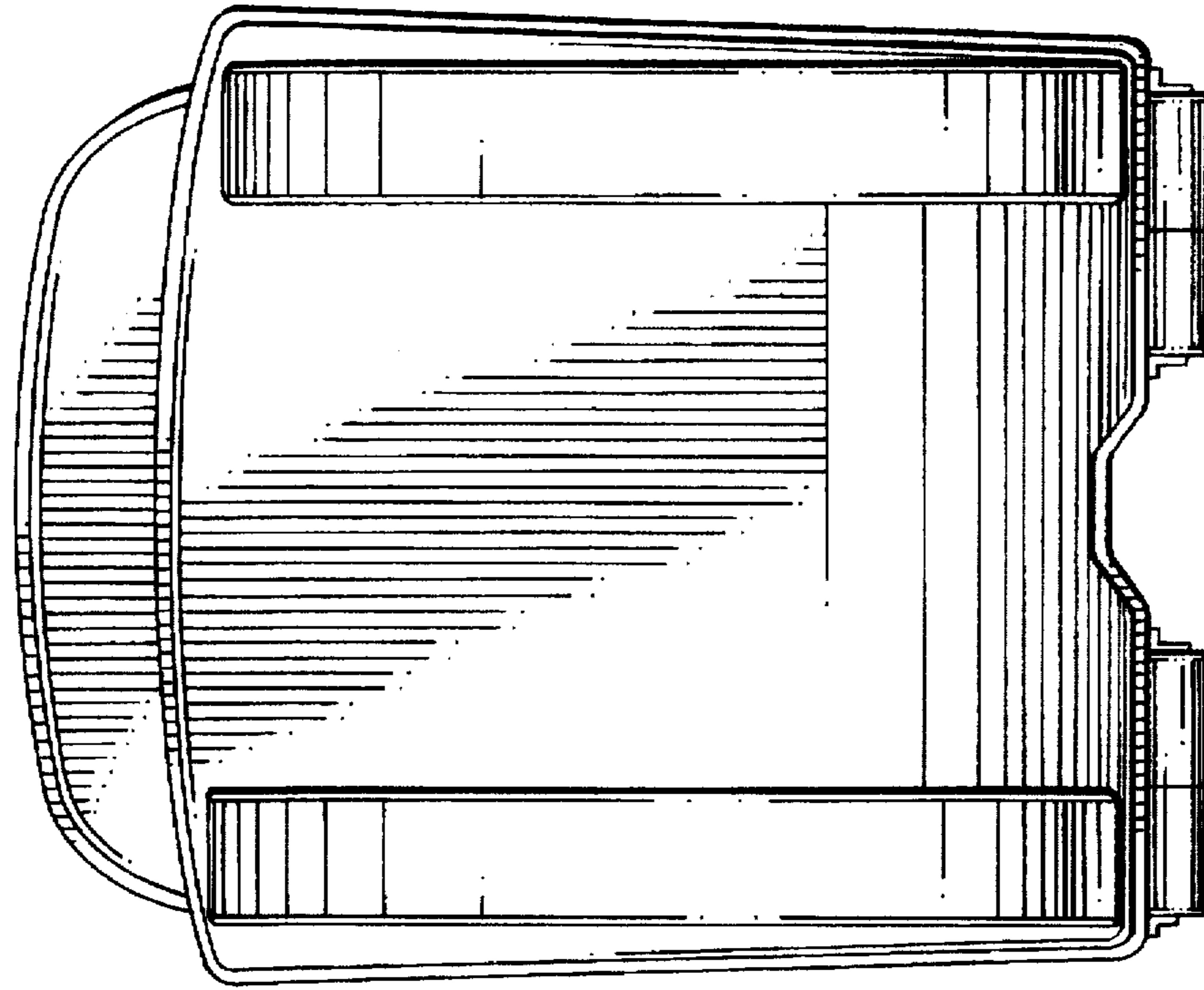


FIG. 6

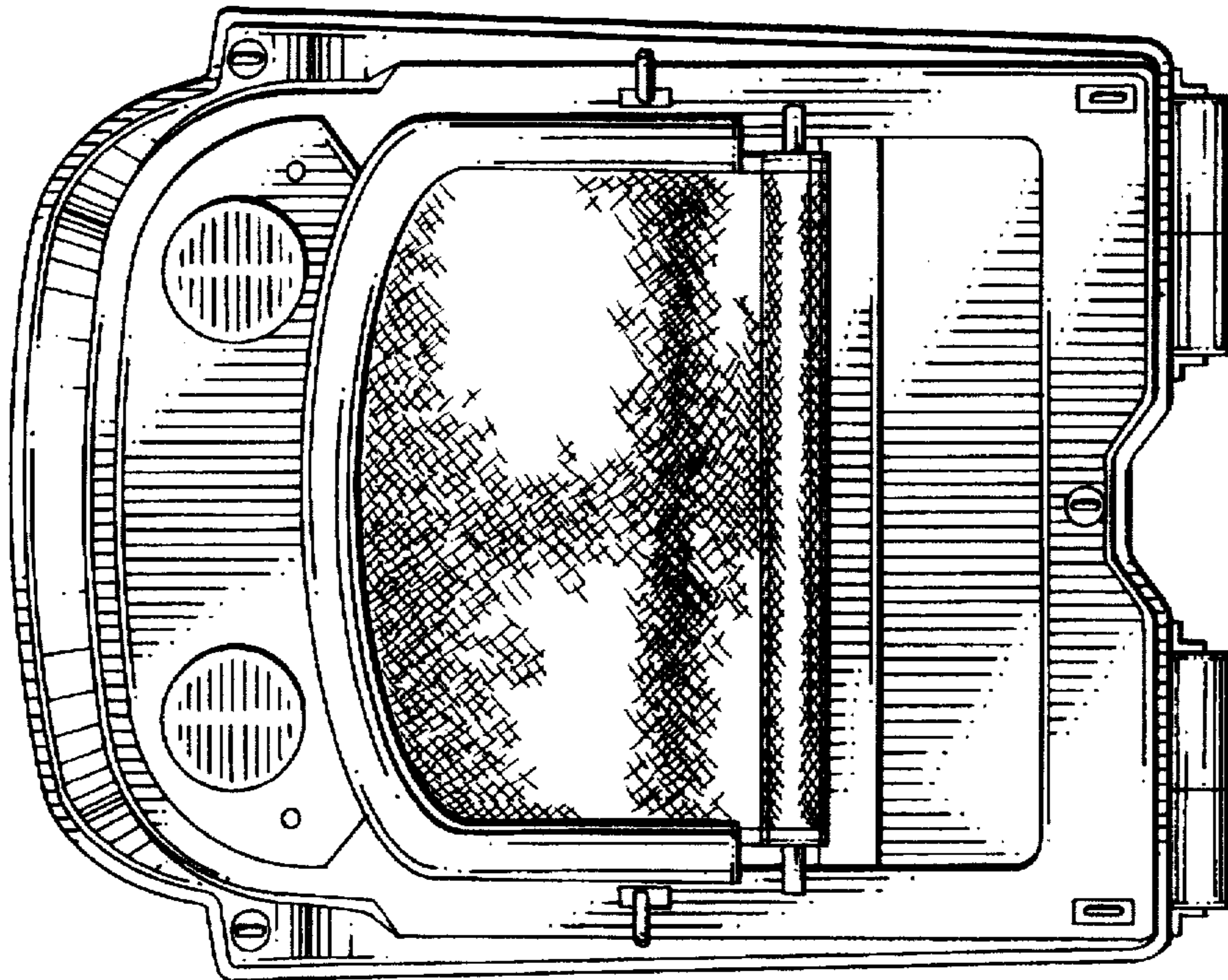


FIG. 5

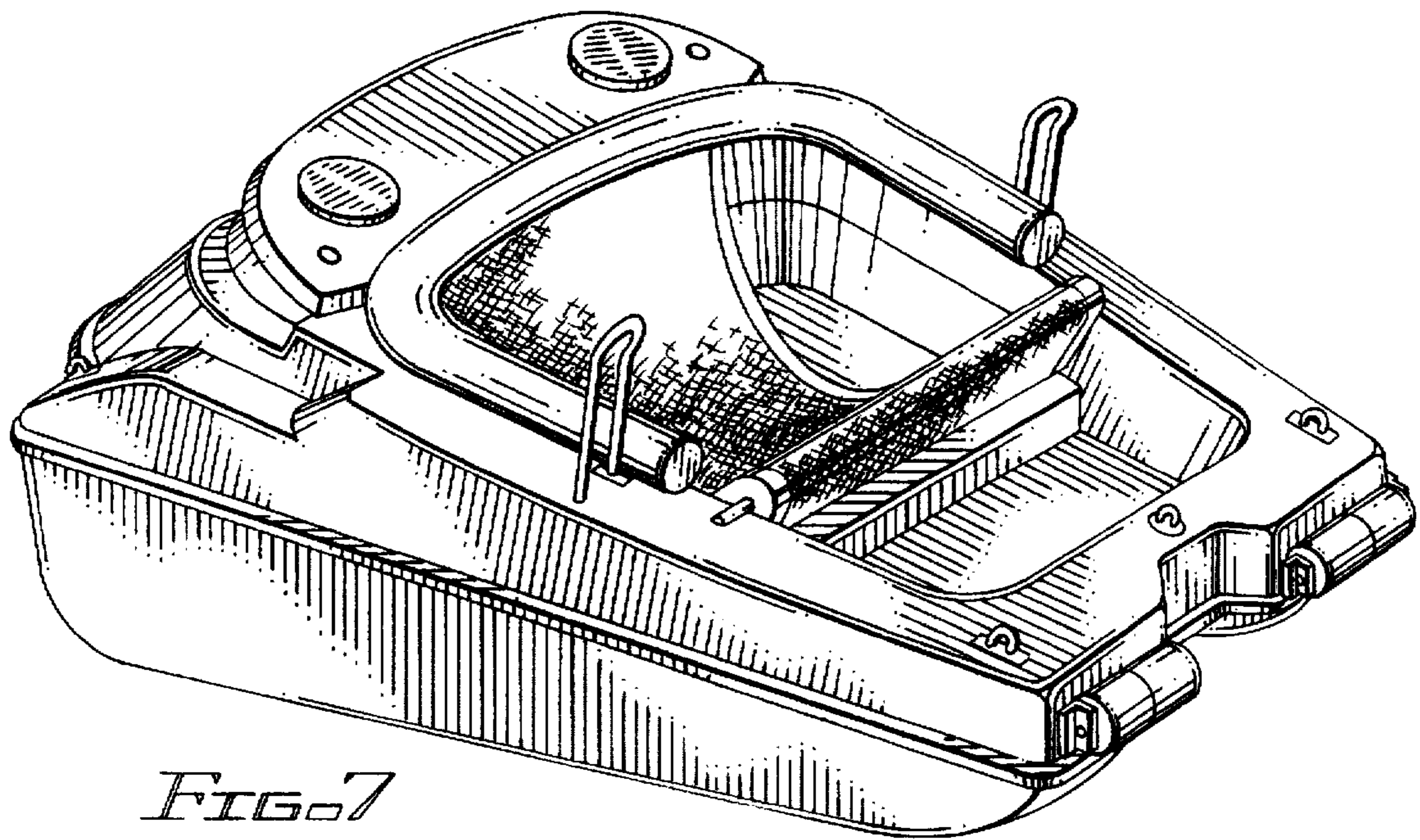


FIG. 7

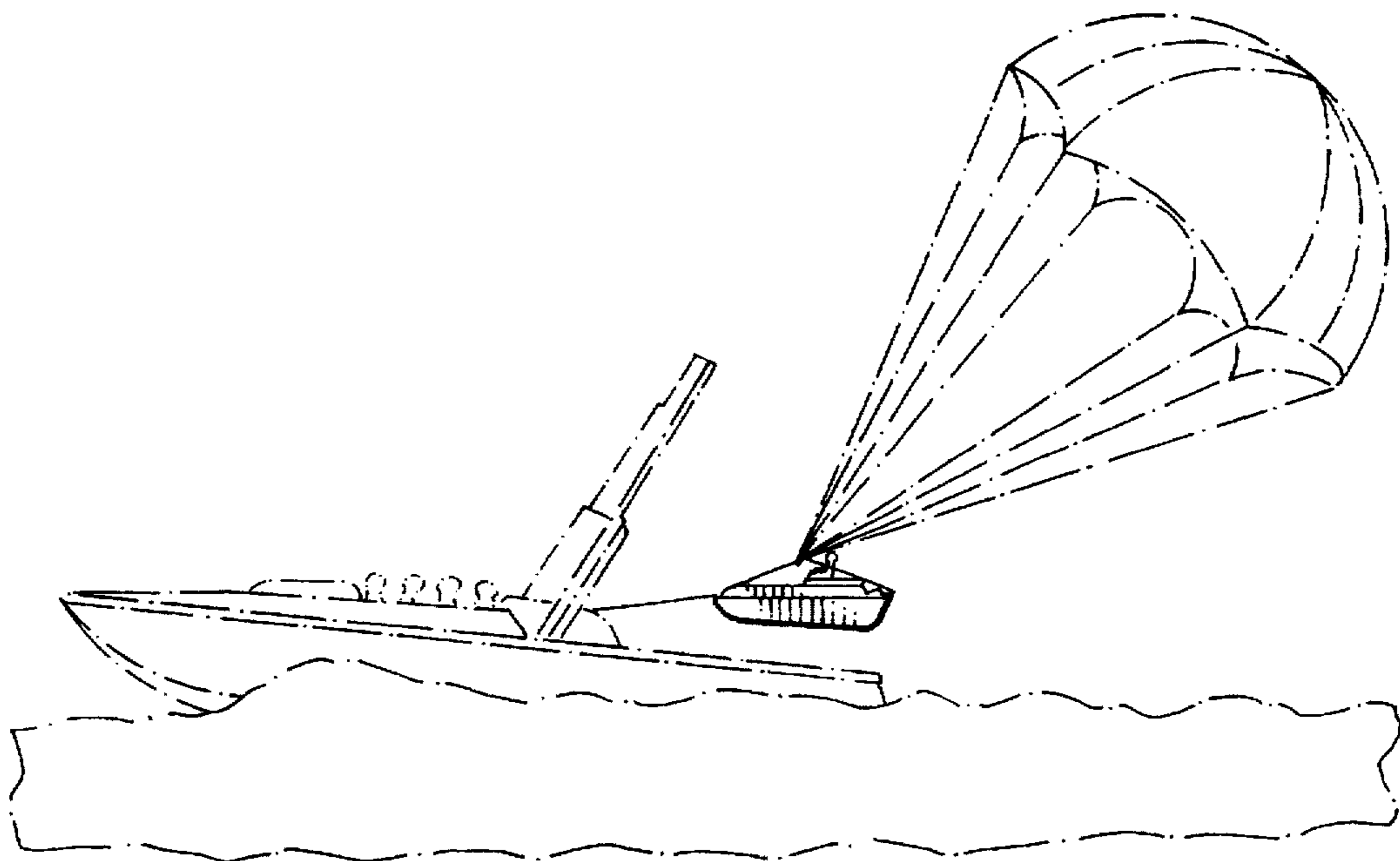


FIG. 8