



US00D392237S

United States Patent [19] Kelley

[11] Patent Number: **Des. 392,237**

[45] Date of Patent: ****Mar. 17, 1998**

[54] **VEHICLE WHEEL**

[75] Inventor: **Steve Kelley**, Irvine, Calif.

[73] Assignee: **Wheel Components, Inc.**, Fullerton, Calif.

[**] Term: **14 Years**

[21] Appl. No.: **68,166**

[22] Filed: **Apr. 14, 1997**

[51] LOC (6) CL **12-16**

[52] U.S. Cl. **D12/209**

[58] Field of Search **D12/204-213;**
301/64.1, 65, 37.1

D. 368,885	4/1996	Wagner	D12/209
D. 371,533	7/1996	Castiglione	D12/209
D. 372,698	8/1996	Mantua	D12/209
D. 375,073	10/1996	Theiss	D12/209
D. 377,471	1/1997	Stach	D12/209

OTHER PUBLICATIONS

Custom Wheel & Tire Guide, p. 45, See "p. 234", 1993.
Custom Wheel & Tire Guide, p. 29, See "Style 2003", 1993.
Custom Wheel & Tire Guide, p. 21, see "DP Excalibur", 1993.

Primary Examiner—James Gandy
Assistant Examiner—Stacia Sinuik
Attorney, Agent, or Firm—Fulwider Patton Lee & Utecht, LLP

[56] References Cited

U.S. PATENT DOCUMENTS

D. 215,652	10/1969	Griffith	D12/209
D. 249,787	10/1978	Tanaka	D12/205
D. 267,488	1/1983	Hayashi	D12/211
D. 336,886	6/1993	Mikawa	D12/211
D. 360,610	7/1995	Bernoni	D12/211
D. 361,547	8/1995	Weld	D12/211
D. 361,976	9/1995	Echazabal et al.	D12/211
D. 367,031	2/1996	Hubbach	D12/209
D. 368,884	4/1996	Cole	D12/209

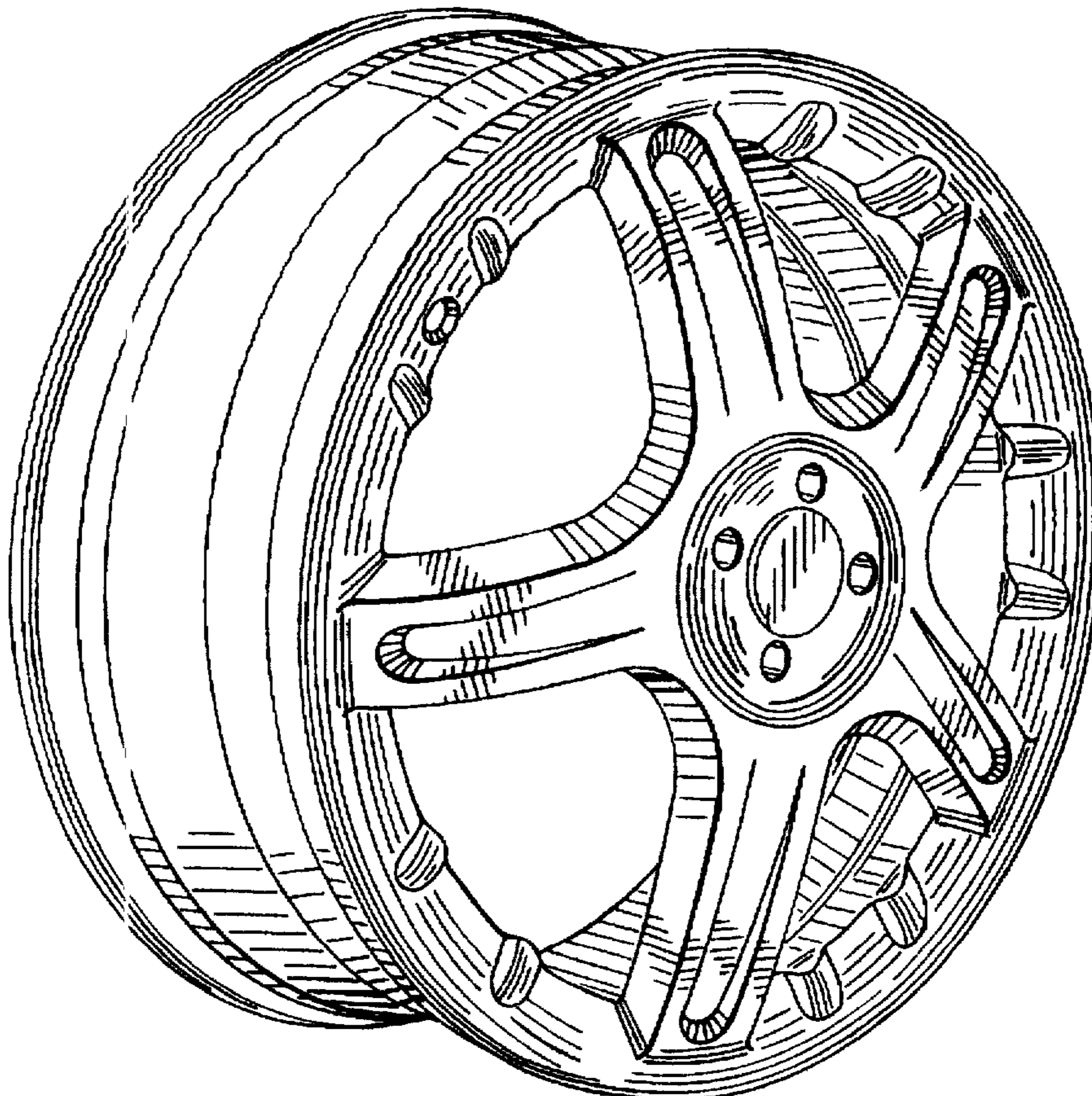
[57] CLAIM

The ornamental design for a vehicle wheel, as shown and described.

DESCRIPTION

FIG. 1 is a perspective view of a vehicle wheel showing my new design;
FIG. 2 is a front view thereof; and,
FIG. 3 is a left hand end view thereof.

1 Claim, 2 Drawing Sheets



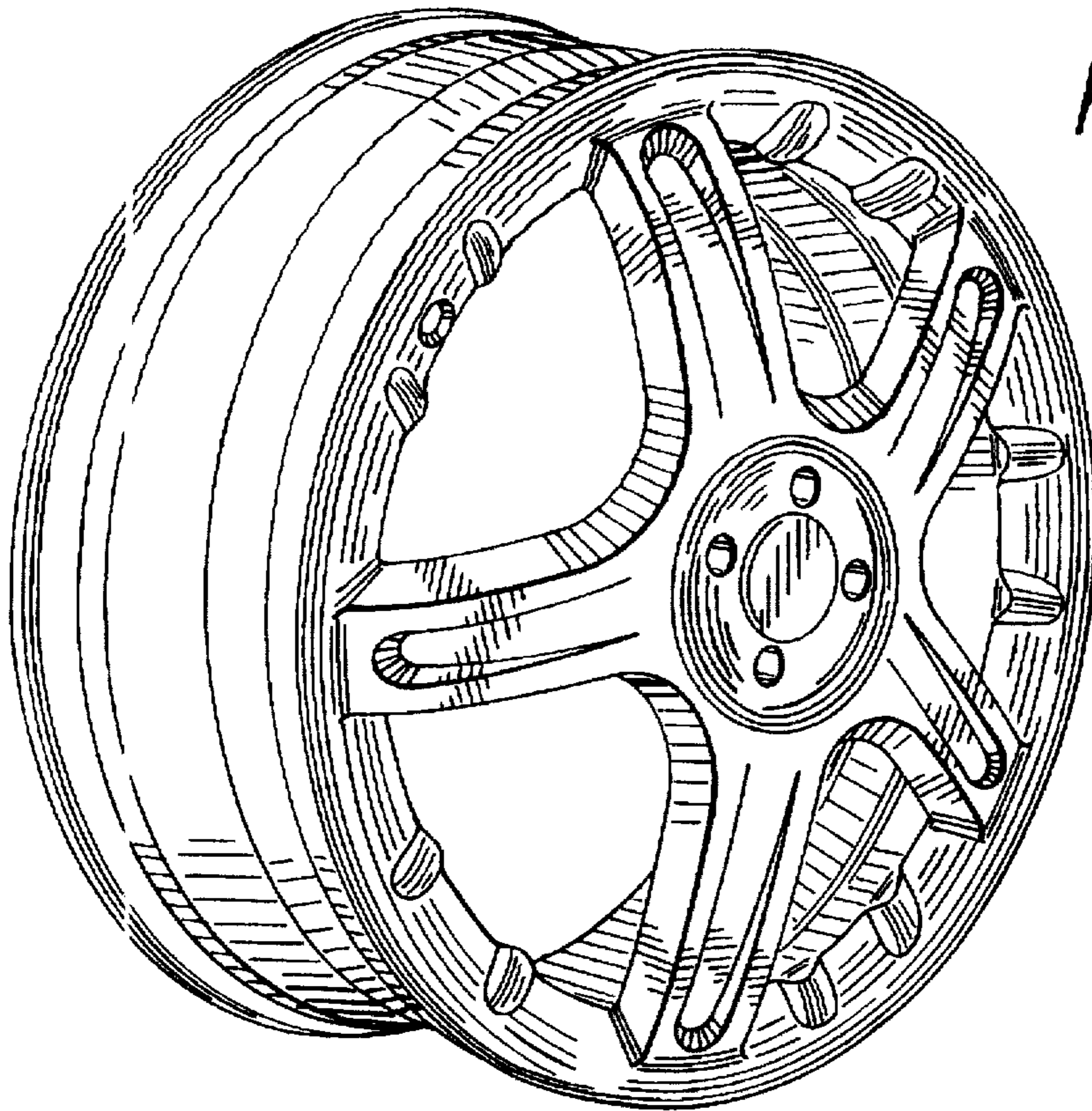


FIG. 1

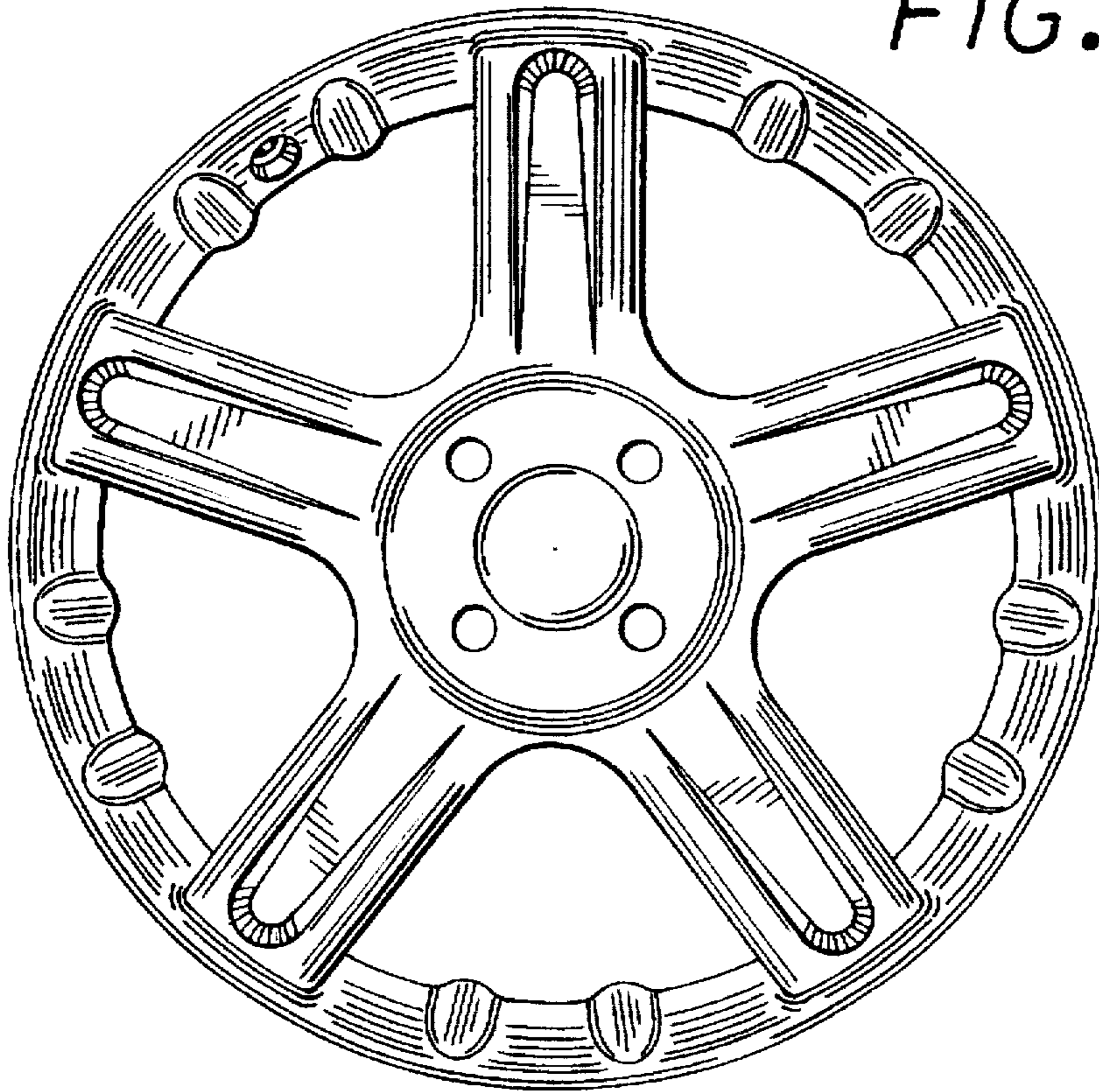


FIG. 2

FIG. 3

