



US00D392233S

United States Patent [19]

Masui

[11] Patent Number: Des. 392,233

[45] Date of Patent: **Mar. 17, 1998

[54] **COMBINED GEAR SHIFTER AND BRAKE LEVER FOR BICYCLES**

[75] Inventor: **Takuji Masui**, Sakai, Japan

[73] Assignee: **Shimano, Inc.**, Osaka, Japan

[**] Term: **14 Years**

[21] Appl. No.: **49,941**

[22] Filed: **Feb. 5, 1996**

[51] LOC (6) Cl. **12-16**

[52] U.S. Cl. **D12/179**

[58] Field of Search D12/179; 74/475, 74/489, 502.2, 523, 551.8, 551.9

[56] **References Cited**

U.S. PATENT DOCUMENTS

- D. 374,205 10/1996 Levinkron D12/179
- 5,458,018 10/1995 Kawakami 74/502.2
- 5,564,311 10/1996 Chen 74/489

- 5,564,510 10/1996 Kishimoto 74/489
- 5,575,178 11/1996 Wu 74/489
- 5,577,413 11/1996 Tagawa et al. 74/475
- 5,609,064 3/1997 Abe 74/502.2

Primary Examiner—Melody N. Brown
Attorney, Agent, or Firm—James A. Deland

[57] **CLAIM**

The ornamental design for a combined gear shifter and brake lever for bicycles, as shown and described.

DESCRIPTION

FIG. 1 is a top view of a combined gear shifter and brake lever for bicycles showing my new design; FIG. 2 is a bottom view thereof; FIG. 3 is a front view thereof; FIG. 4 is a rear view thereof; FIG. 5 is a right side view thereof; FIG. 6 is a left side view thereof; and, FIG. 7 is a perspective view thereof.

1 Claim, 4 Drawing Sheets

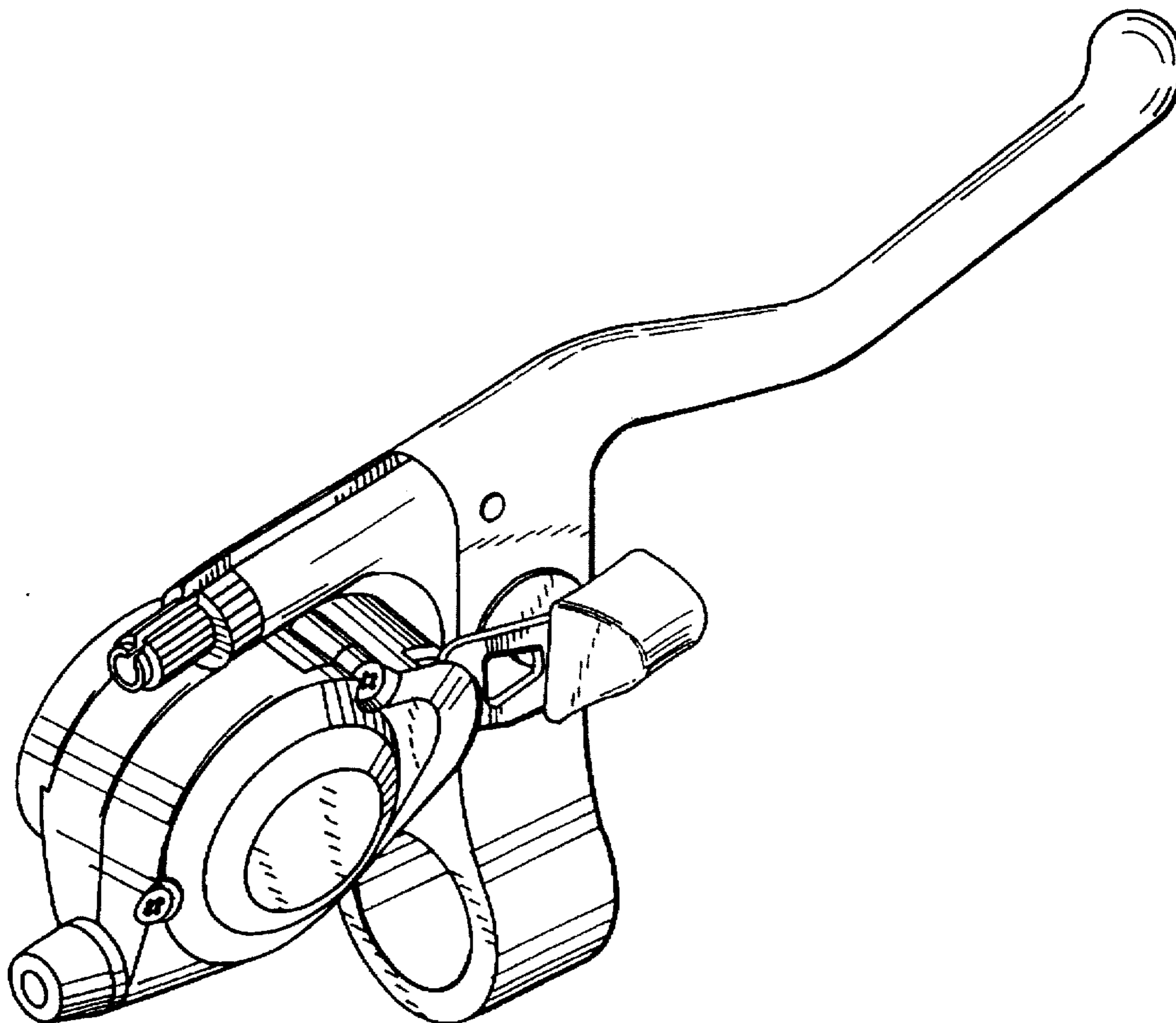


FIG.1

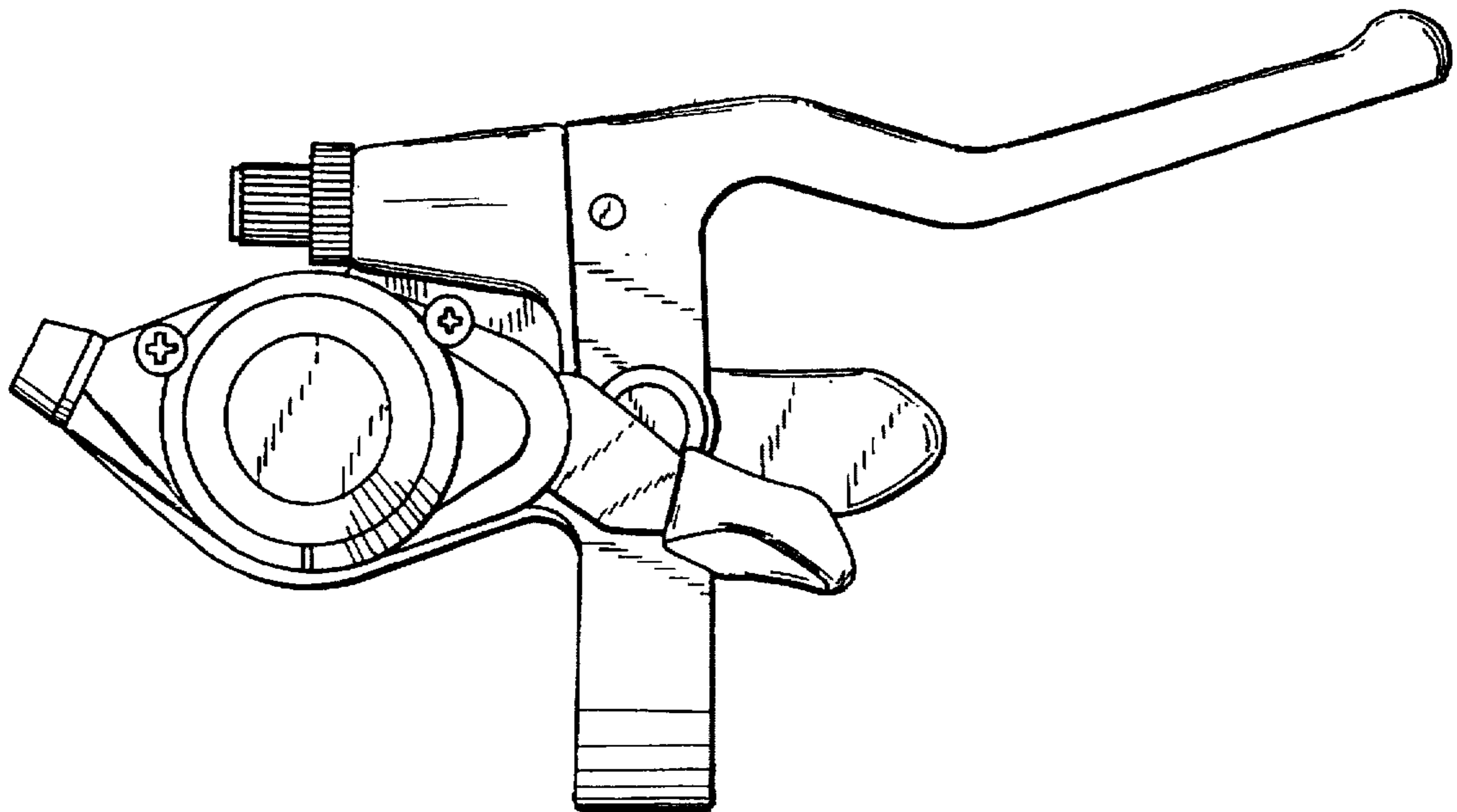


FIG.2

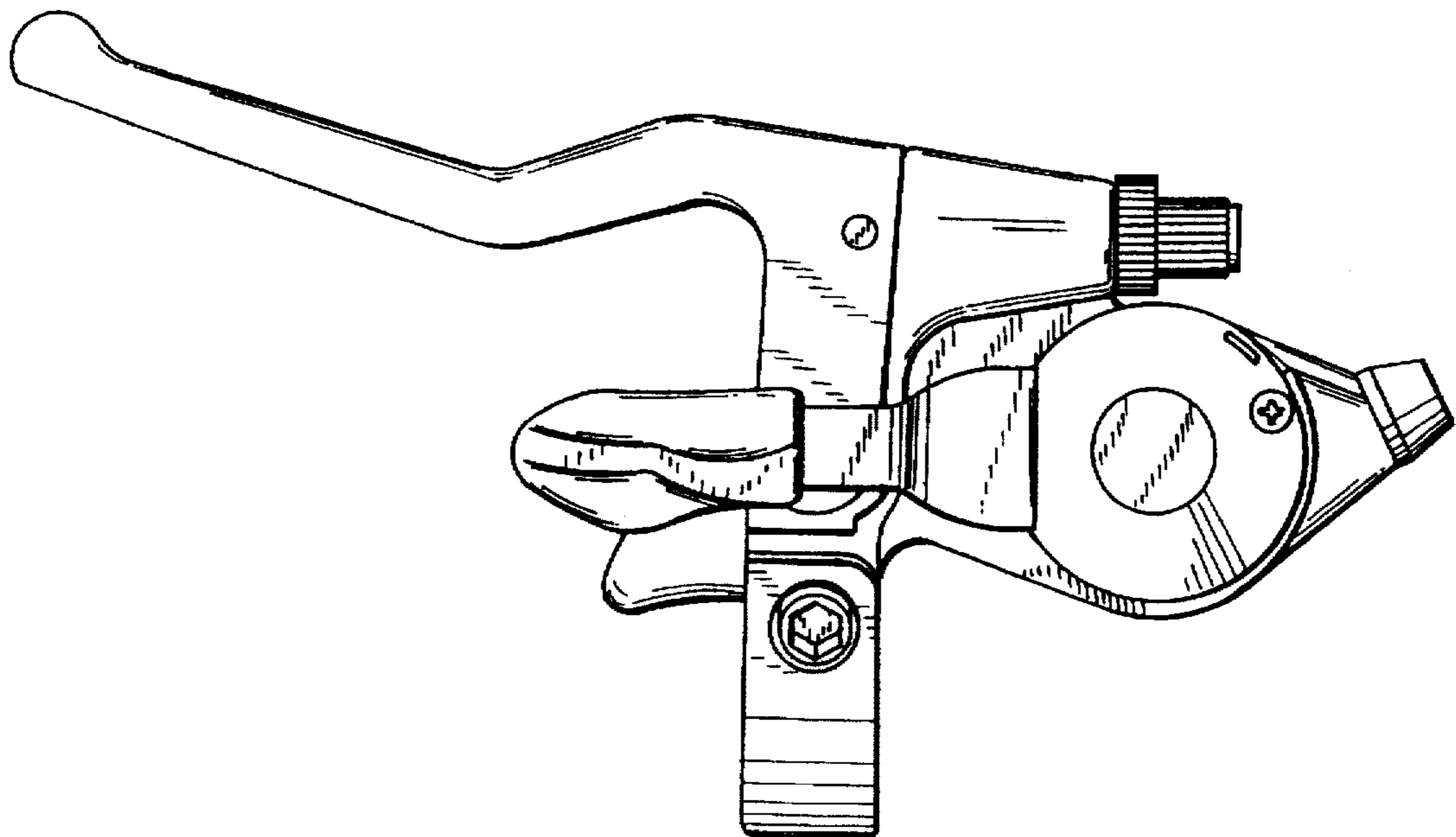


FIG.3

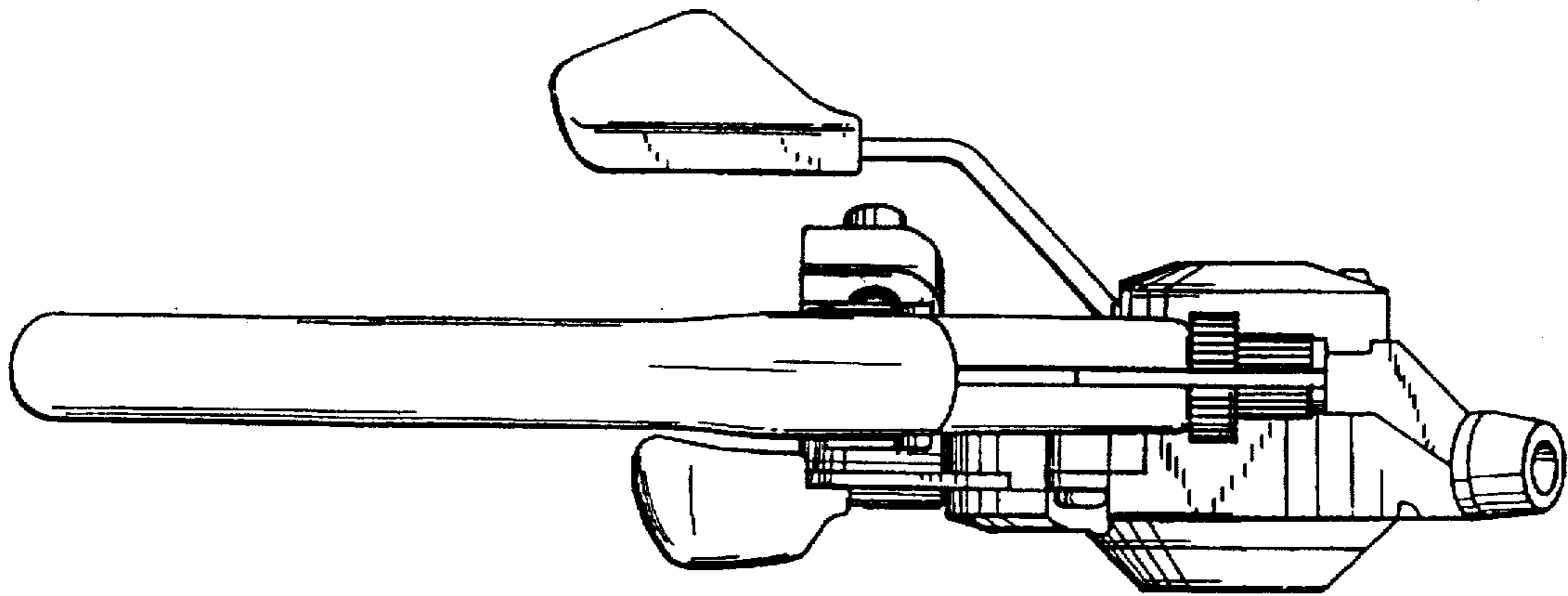


FIG.4

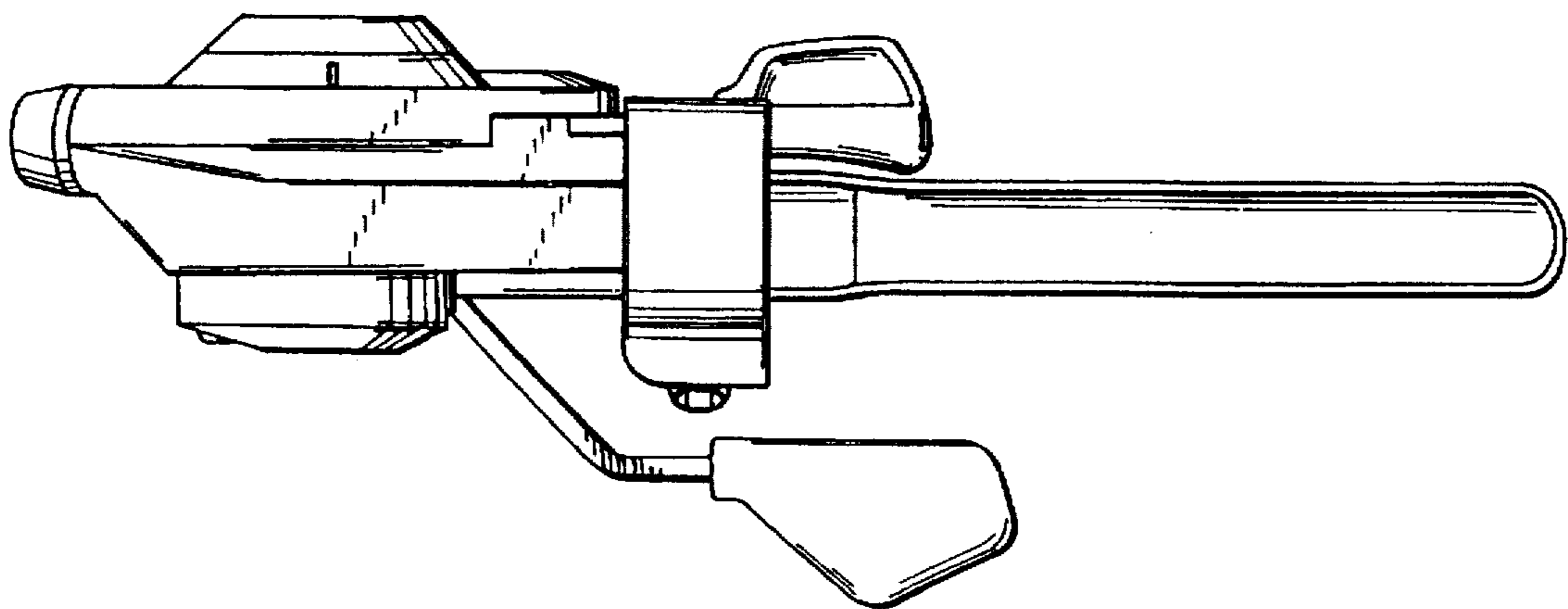


FIG. 5

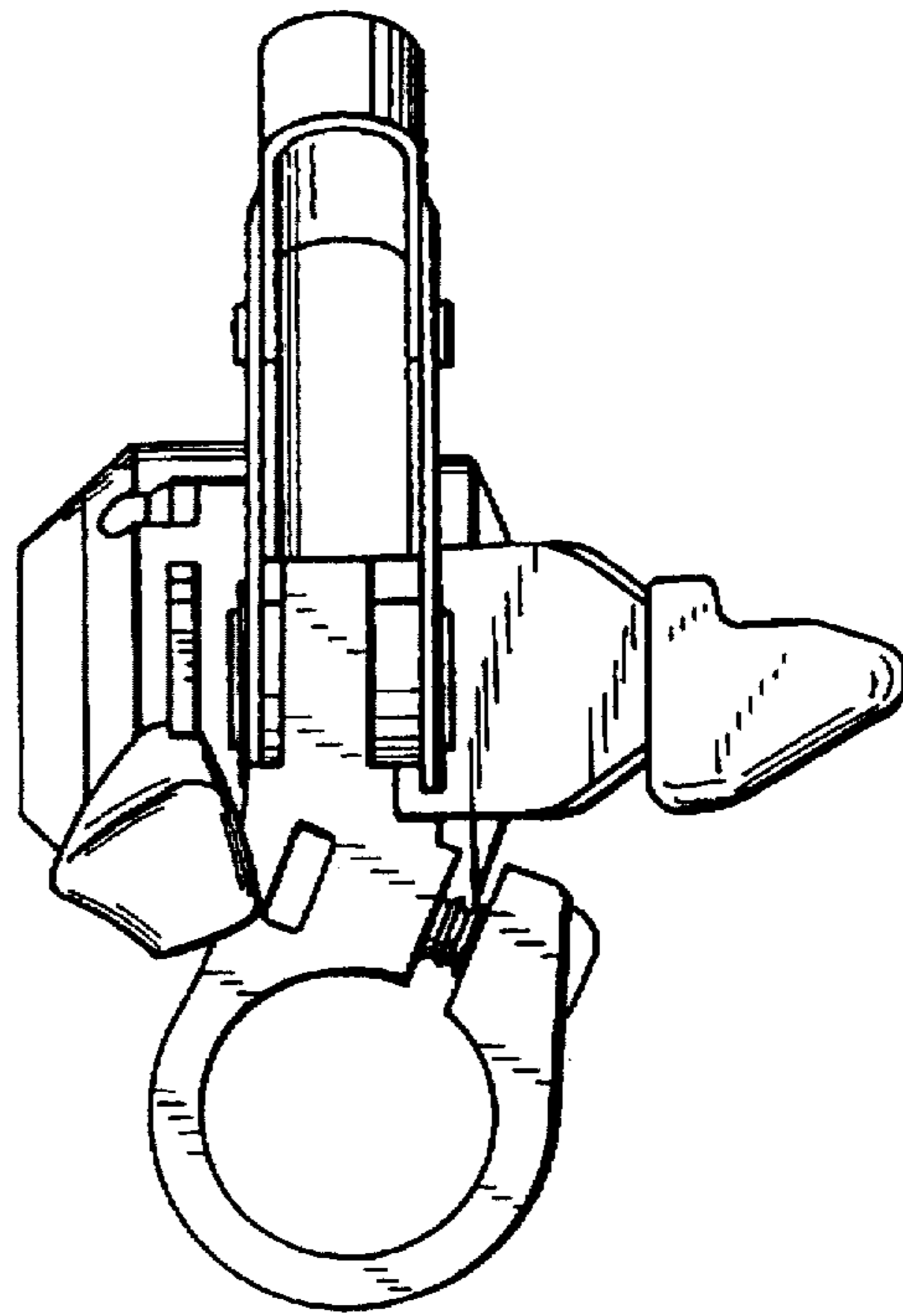


FIG. 6

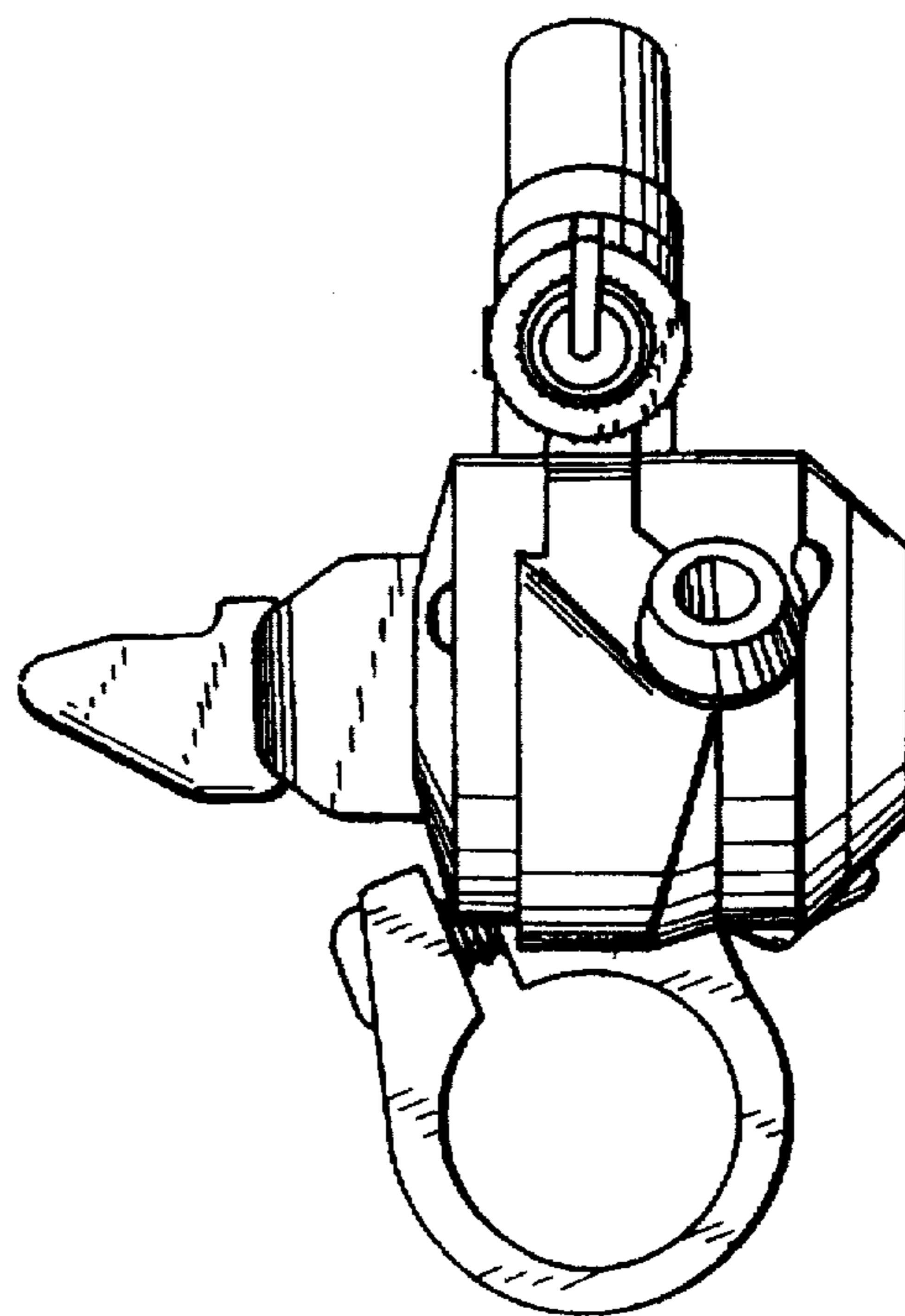


FIG. 7

