



US00D392226S

United States Patent [19]

Howald et al.

[11] Patent Number: Des. 392,226

[45] Date of Patent: **Mar. 17, 1998

[54] TIRE TREAD

[75] Inventors: John Alan Howald, Uniontown; Jerold Robert Buenger, Hartville; Karl Eric Sundkvist, Akron, all of Ohio

[73] Assignee: The Goodyear Tire & Rubber Company, Akron, Ohio

[**] Term: 14 Years

[21] Appl. No.: 68,623

[22] Filed: Mar. 25, 1997

[51] LOC (6) Cl. 12-15

[52] U.S. Cl. D12/141; D12/149

[58] Field of Search D12/136, 138, D12/140-152; 152/209 A, 209 B, 209 D, 209 R

[56] References Cited

U.S. PATENT DOCUMENTS

D. 280,090	8/1985	Graas	D12/146
D. 283,501	4/1986	Hitzky	D12/147
D. 287,708	1/1987	Hayakawa	D12/147
D. 310,803	9/1990	Hasegawa	D12/147
D. 311,891	11/1990	Covert et al.	D12/147
D. 329,218	9/1992	Ohtsu	D12/147
D. 334,360	3/1993	Graas et al.	D12/146
D. 340,889	11/1993	Himuro et al.	D12/147
D. 342,047	12/1993	Takahashi	D12/146
D. 346,350	4/1994	Himuro et al.	D12/147
D. 349,672	8/1994	Seimiya et al.	D12/147
D. 349,673	8/1994	Seimiya et al.	D12/147

(List continued on next page.)

FOREIGN PATENT DOCUMENTS

2084954	6/1993	Canada .
0105822	6/1982	European Pat. Off. .
0435620	7/1991	European Pat. Off. .
0605849	12/1993	European Pat. Off. .
0599566	6/1994	European Pat. Off. .
1549347	5/1976	France .
94 04 261	10/1994	Germany .
0128904	8/1983	Japan .
62-268709	11/1987	Japan .

3186406	12/1989	Japan .
0141310	5/1990	Japan .
3007602	1/1991	Japan .
4197806	7/1992	Japan .
4201609	7/1992	Japan .

OTHER PUBLICATIONS

Avon CR338 Tire, 1995 Tread Design Guide, p. 9, Jan. 1995.
 Michelin MX4 Tire, 1996 Tread Design Guide, p. 49, Feb. 1996.
 Modern Tire Dealer, Nov., 1995, p. 23, "Introducing the Firestone F-570".
 1994 Tread Design Guide, p. 117, "Yokohama Super Digger V SD05 Tire".
 1995 Tread Design Guide, p. 61, "Pirelli Roadhandler".
 Co-Pending Application S.N. 29/049,641, Filed Jan. 17, 1996 for Kunos et al.
 Co-Pending Application S.N. 29/049,102, Filed Jan. 17, 1996 for Hubbell, Jr.
 Co-Pending Application S.N. 29/062,031, Filed Nov. 6, 1996 for Hubbell, Jr.

(List continued on next page.)

Primary Examiner—James Gandy
 Assistant Examiner—Robert M. Spear
 Attorney, Agent, or Firm—T. P. Lewandowski

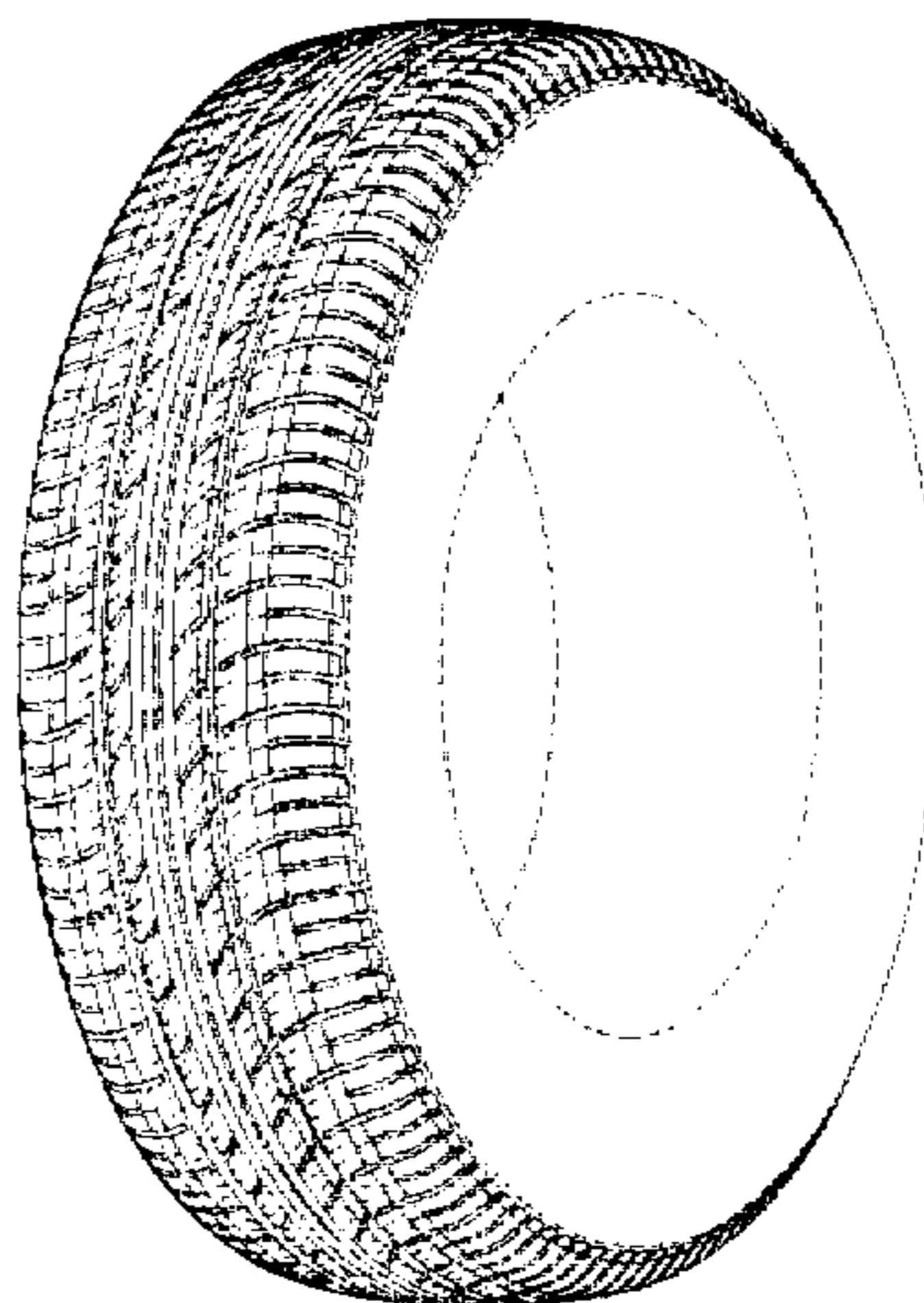
[57] CLAIM

The ornamental design for a tire tread, as shown and described.

DESCRIPTION

FIG. 1 is a perspective view of a tire tread, it being understood that the pattern repeats uniformly throughout the circumference of the tread;
 FIG. 2 is a front elevational view thereof;
 FIG. 3 is a side elevational view thereof, the opposite side elevational view being identical thereto; and,
 FIG. 4 is an enlarged fragmentary front perspective view thereof.
 In the drawings, the broken lines defining the inner bead of the sidewall and the peripheral boundary between the tire tread and the sidewall are for illustrative purposes only and form no part of the claimed design.

1 Claim, 4 Drawing Sheets



U.S. PATENT DOCUMENTS

D. 365,789 1/1996 Lissan et al. D12/146
D. 368,056 3/1996 Morishita et al. D12/147
D. 380,994 7/1997 Morishita et al. D12/141
3,759,306 9/1973 Greiner et al. 152/374
3,768,537 10/1973 Hess et al. 152/330
4,407,346 10/1983 Bandel et al. 152/209 R
4,690,189 9/1987 Bradisse et al. 152/209 R
4,702,292 10/1987 Brayer 152/209 R
4,986,324 1/1991 Suzuki et al. 152/209 R
5,109,903 5/1992 Watanabe et al. 152/209 R
5,269,357 12/1993 Killian 152/209 R

5,287,905 2/1994 Caretta et al. 152/209 R
5,308,416 5/1994 Baumhöfer et al. 152/209 R
5,373,882 12/1994 Nakagawa 152/209 R

OTHER PUBLICATIONS

Co-Pending Application S.N. 29/055,820, Filed May 3,
1996 for Coleman et al.
Co-Pending Application S.N. 08/588,034, Filed Jan. 17,
1996 for Hubbell et al.
Co-Pending Application S.N. 08/597,077, Filed Feb. 5,
1996 for Hubbell et al.

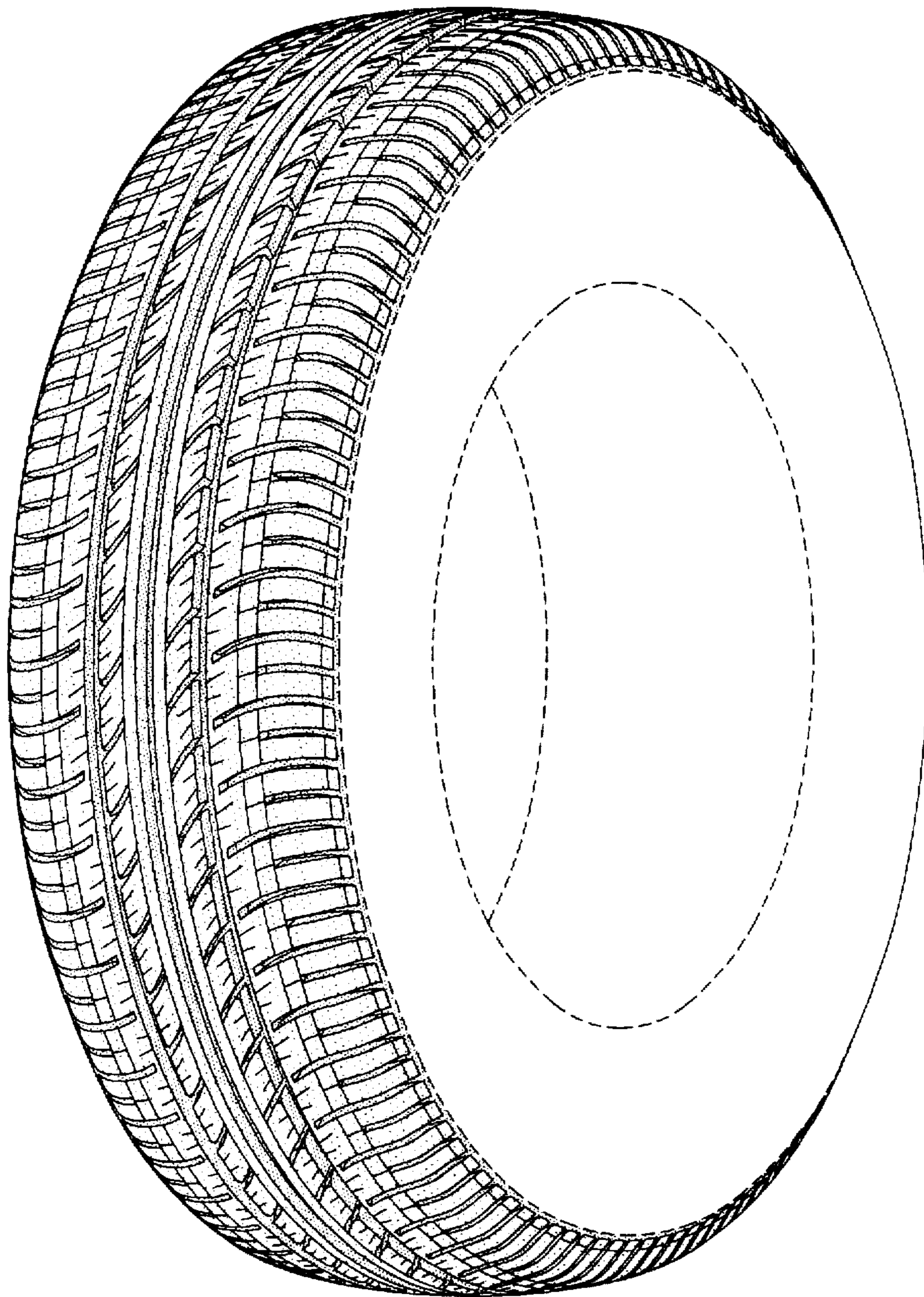


FIG-1

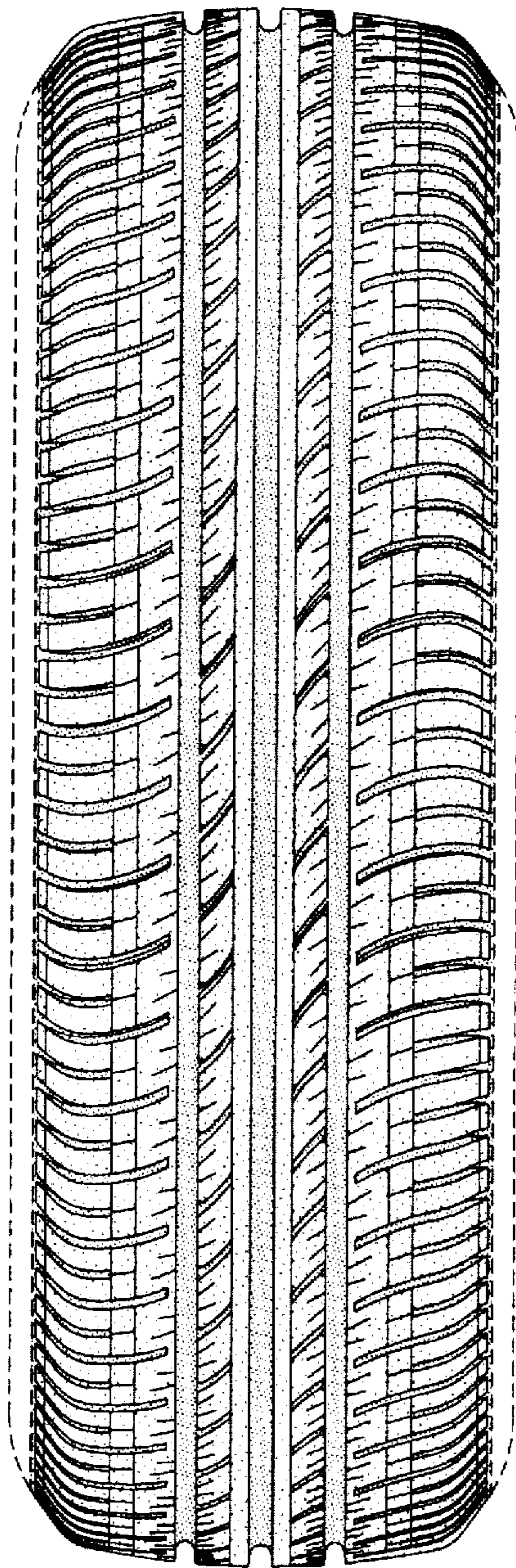


FIG-2

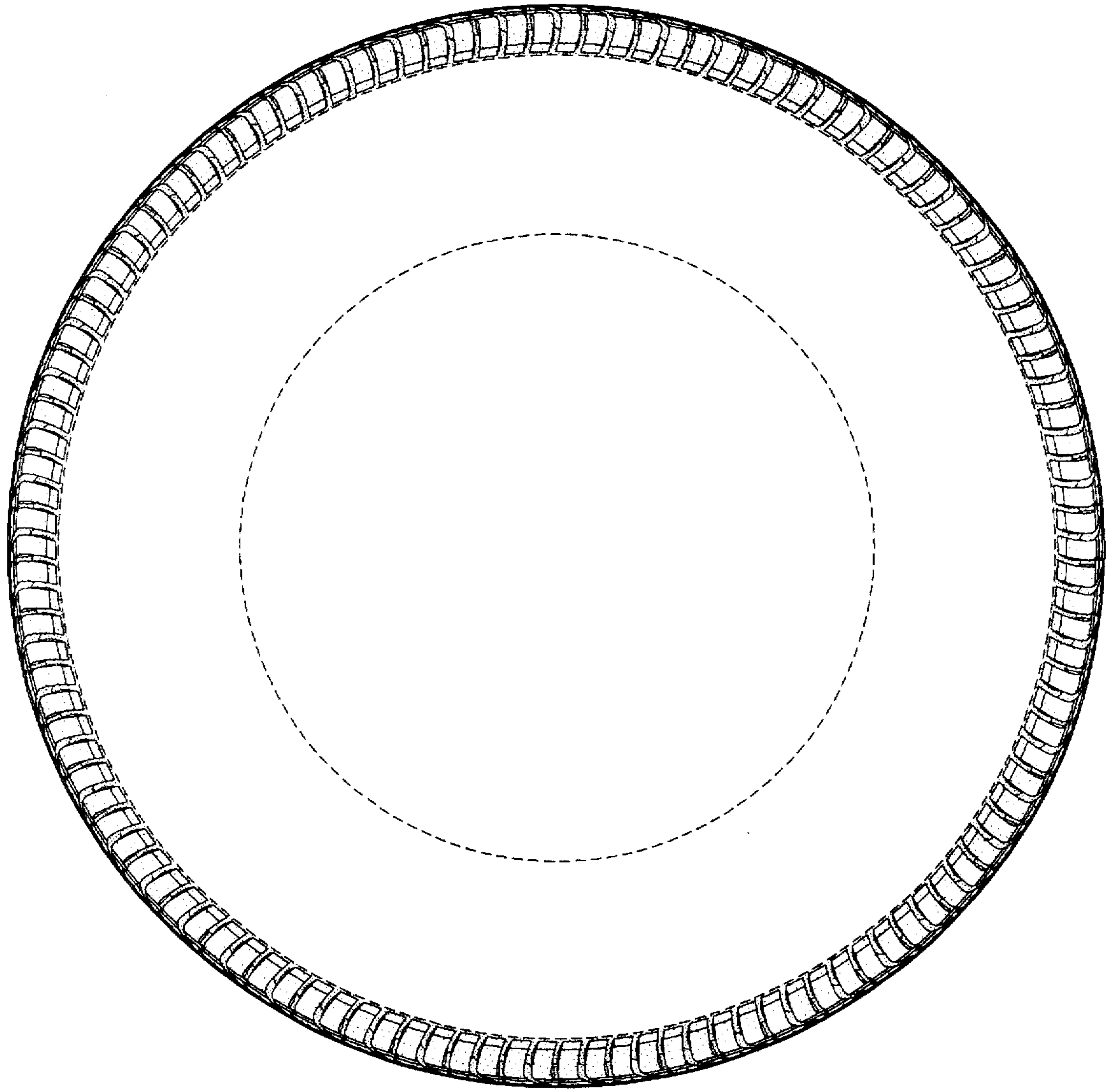


FIG-3

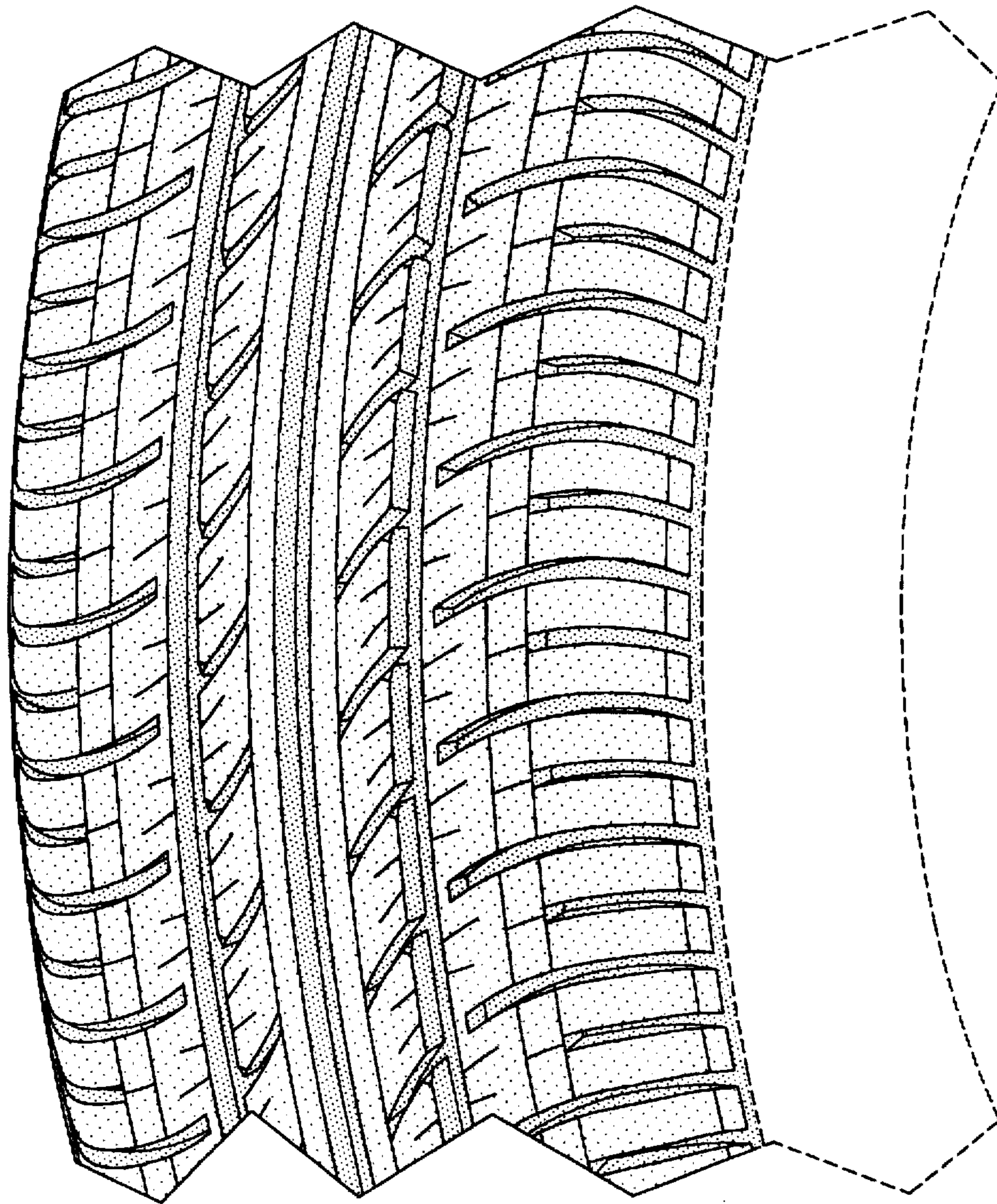


FIG-4