



US00D392223S

# United States Patent [19]

Alpiser et al.

[11] Patent Number: **Des. 392,223**

[45] Date of Patent: **\*\*Mar. 17, 1998**

[54] **MOBILE RADIO BROADCAST TRAILER**

[75] Inventors: **Joanne D. Alpiser, Hillsborough; John R. Alpiser, Cary, both of N.C.**

[73] Assignee: **Transportation Intelligence, Inc., Raleigh, N.C.**

[\*\*] Term: **14 Years**

[21] Appl. No.: **73,010**

[22] Filed: **Jun. 27, 1997**

[51] LOC (6) Cl. .... **12-10**

[52] U.S. Cl. .... **D12/101**

[58] Field of Search ..... D12/101, 102; 280/65, 63, 789; 296/168, 22; D13/102

[56] **References Cited**

**U.S. PATENT DOCUMENTS**

D. 205,999	10/1966	Guevara, Jr. et al. ....	D12/101
D. 206,752	1/1967	Moll .....	D12/101
D. 216,254	12/1969	Debela .....	D13/102
D. 236,473	8/1975	Kerlin et al. ....	D12/102
D. 314,734	2/1991	Sapp .....	D12/102
D. 329,623	9/1992	Dodgen .....	D12/102

D. 340,681	10/1993	Alpiser et al. ....	D12/101
D. 345,178	3/1994	Peterson .....	D12/102
D. 367,071	2/1996	McKoy .....	D12/101
3,831,849	8/1974	Studinger .....	D12/102
4,842,316	6/1989	Lerma et al. ....	296/22
4,999,059	3/1991	Bayno .....	D13/102

*Primary Examiner*—Melody N. Brown  
*Attorney, Agent, or Firm*—Richard E. Jenkins, P.A.

[57] **CLAIM**

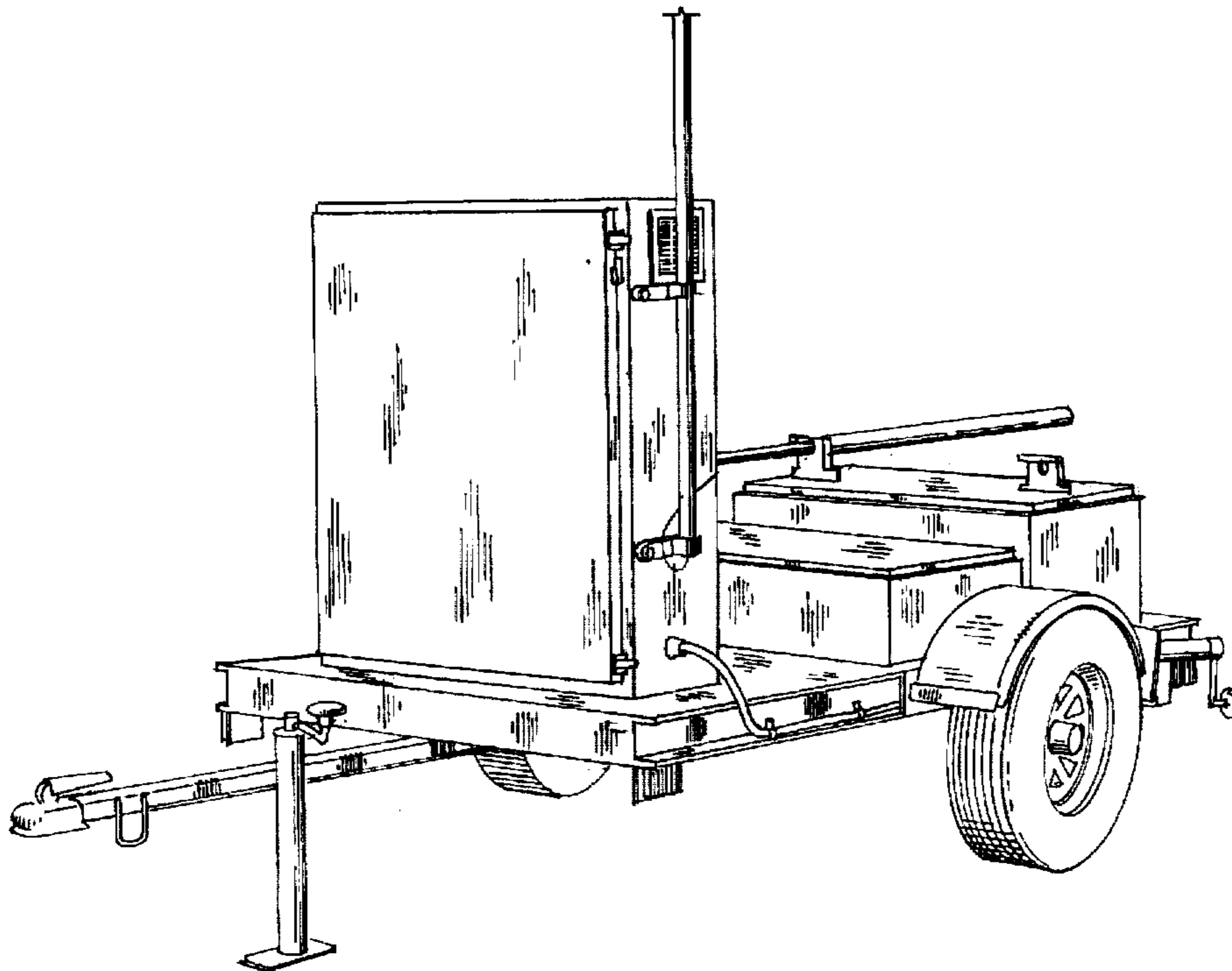
The ornamental design for a mobile radio broadcast trailer, as shown and described.

**DESCRIPTION**

FIG. 1 is a perspective view of a mobile radio broadcast trailer showing our new design; FIG. 2 is a side elevational view thereof; FIG. 3 is a top view thereof; FIG. 4 is a front elevational view thereof; and, FIG. 5 is a rear elevational view thereof.

The antenna shown in FIGS. 1, 2, 4 and 5 is shown broken away to indicate indeterminate length and the pole shown in FIG. 2 is shown broken away for convenience of illustration.

**1 Claim, 5 Drawing Sheets**



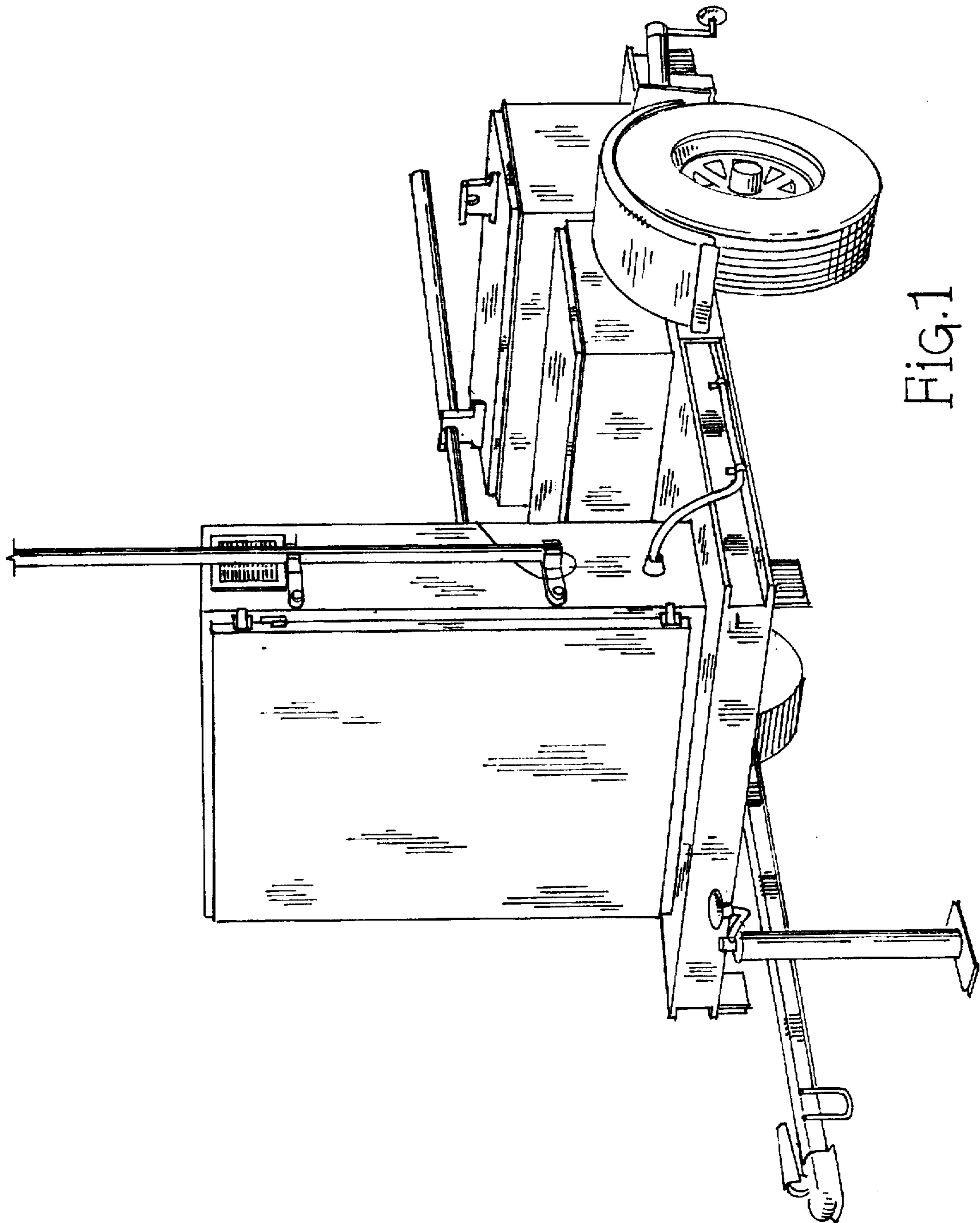


Fig.1

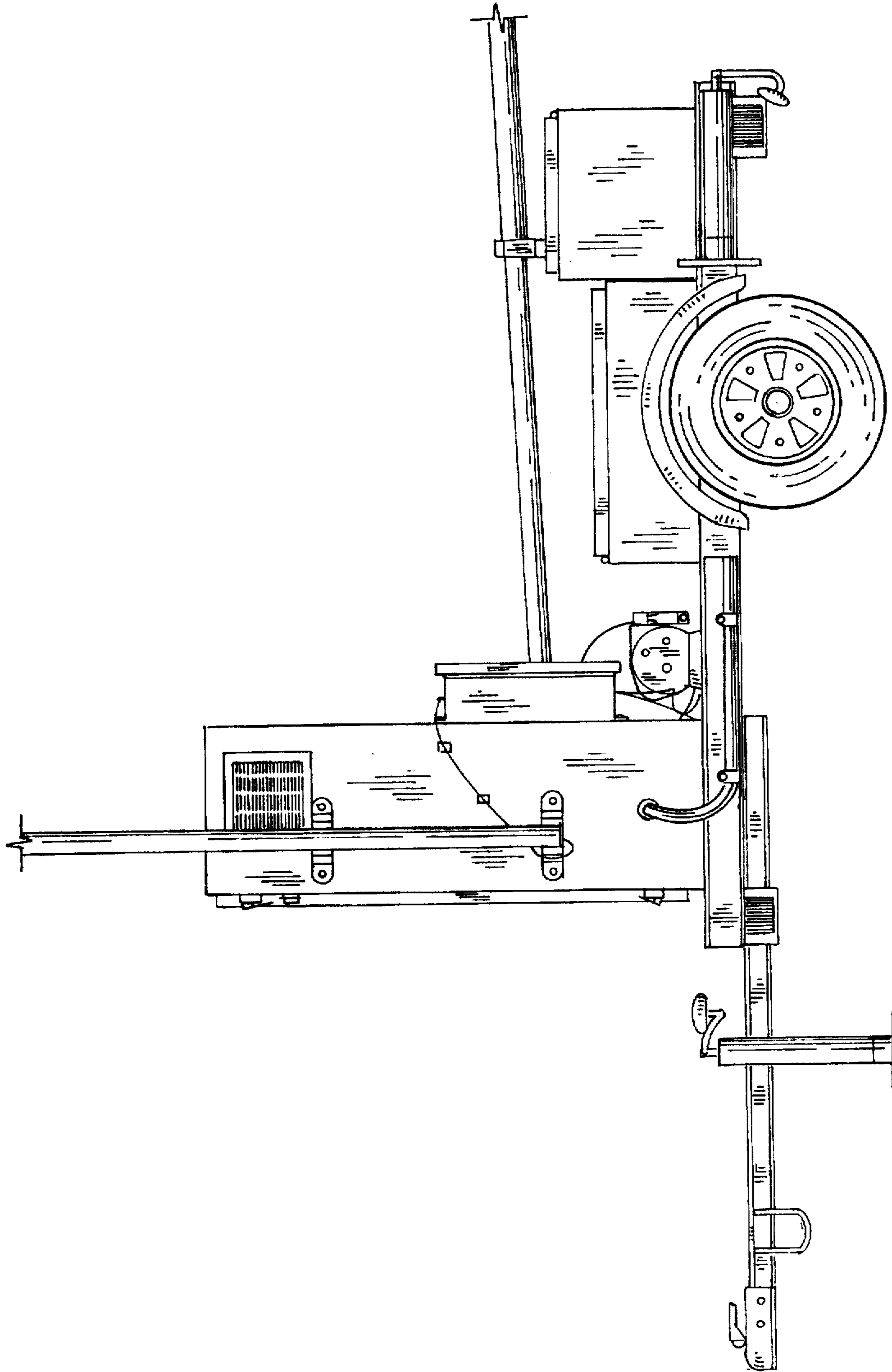


FIG. 2

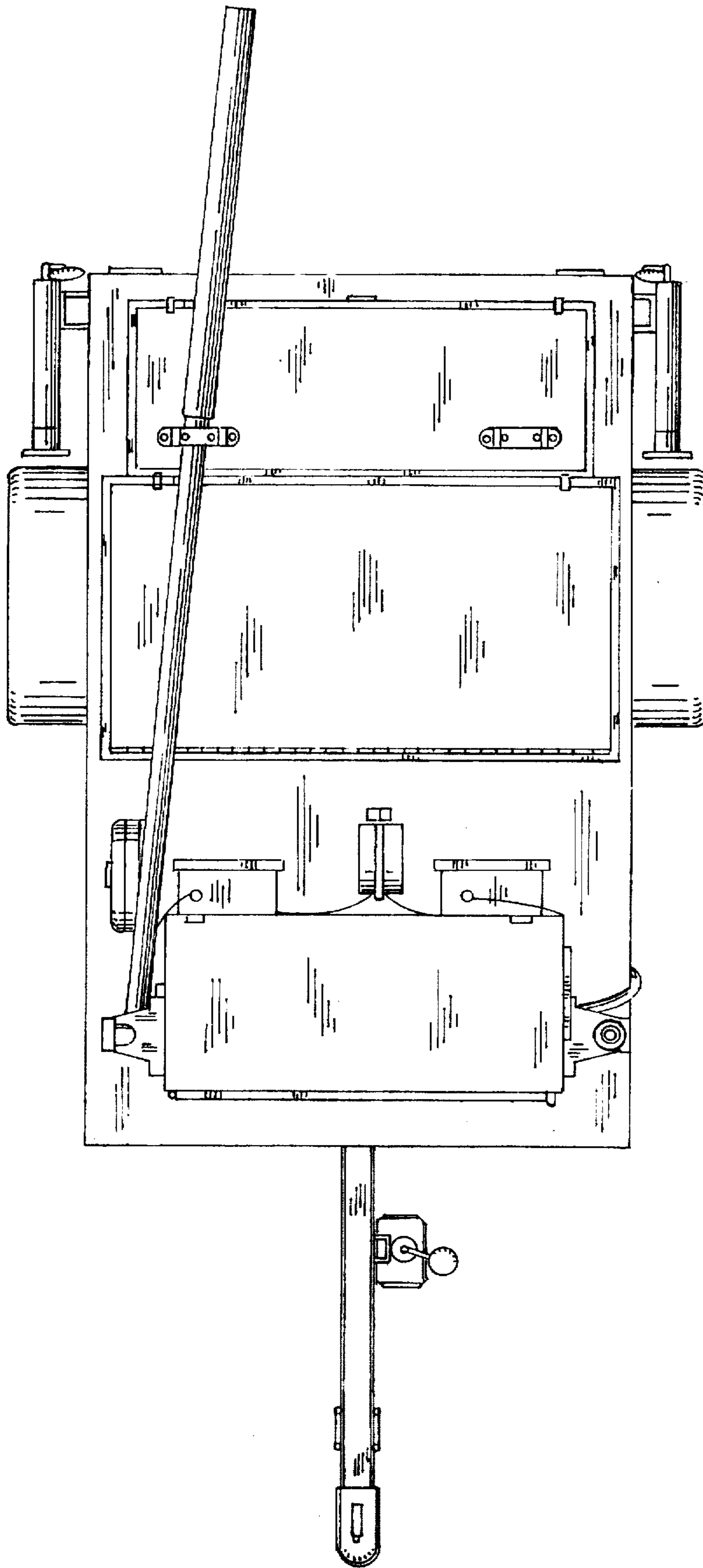


FIG. 3

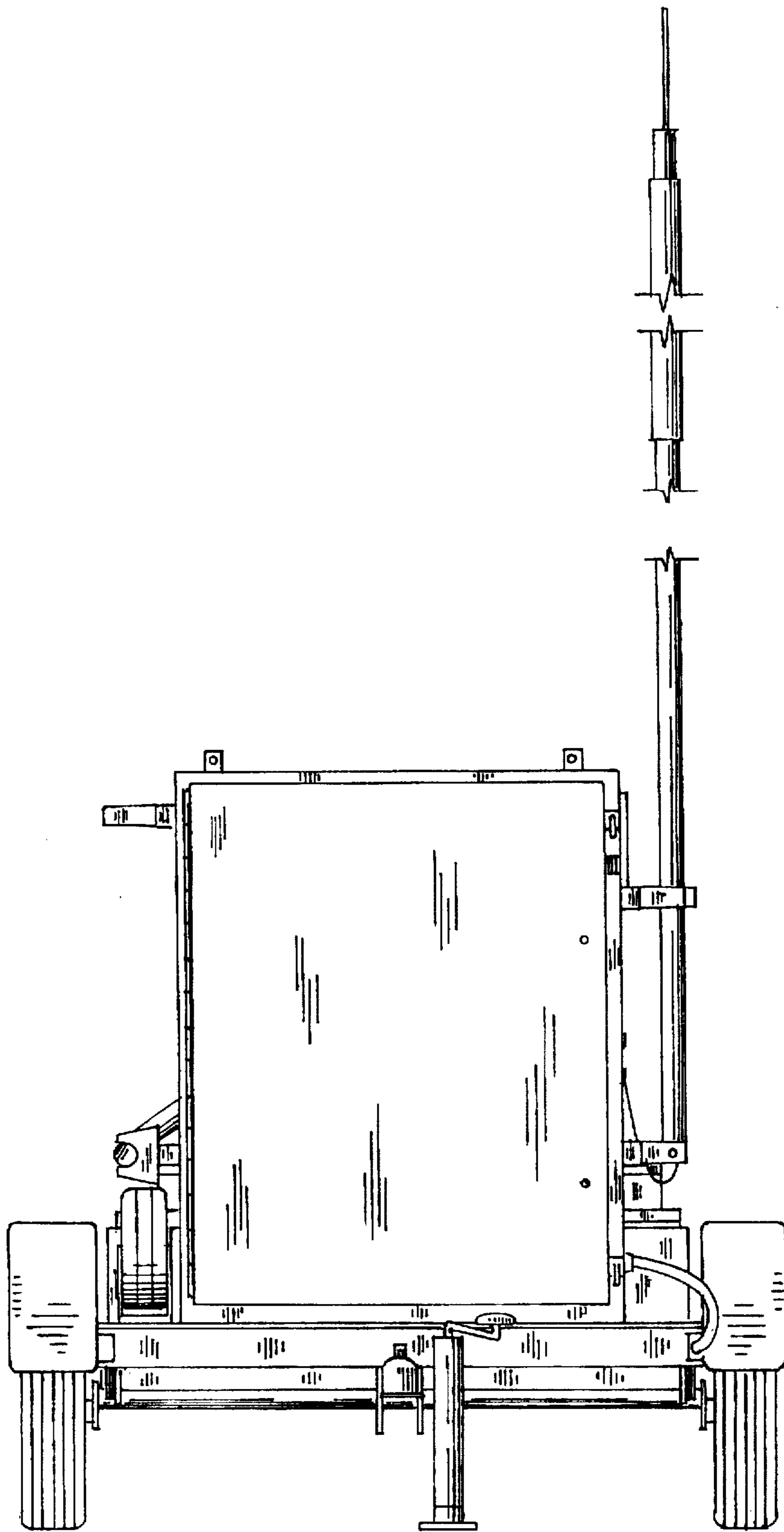


Fig.4

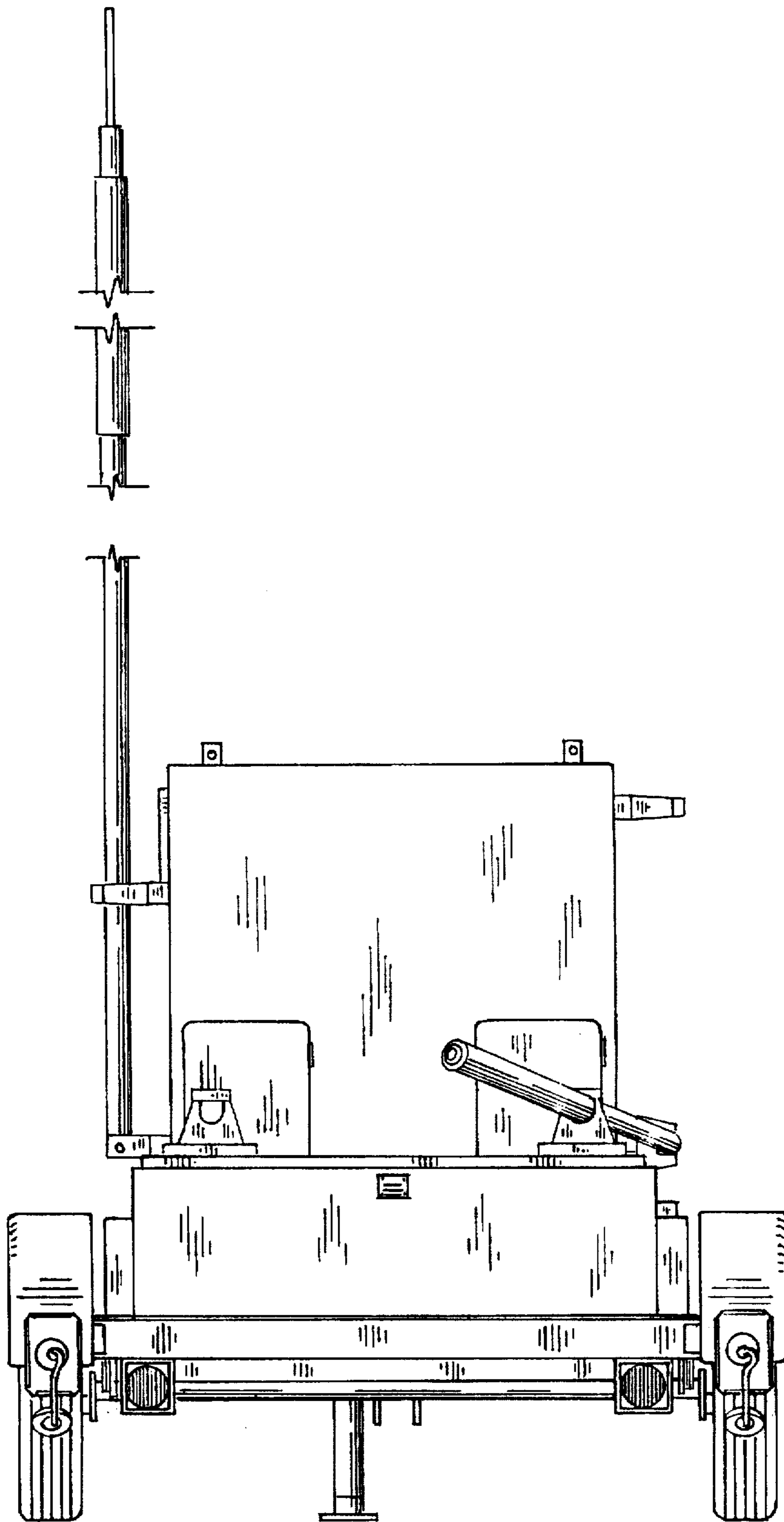


Fig. 5