



US00D392217S

United States Patent [19]
Yuki

[11] **Patent Number:** **Des. 392,217**
[45] **Date of Patent:** ****Mar. 17, 1998**

[54] **SLIDER BODY OF SLIDE FASTENER**

[75] **Inventor:** **Kenji Yuki**, Toyama, Japan

[73] **Assignee:** **YKK Corporation**, Tokyo, Japan

[**] **Term:** **14 Years**

[21] **Appl. No.:** **64,050**

[22] **Filed:** **Dec. 20, 1996**

[51] **LOC (6) Cl.** **02-07**

[52] **U.S. Cl.** **D11/221**

[58] **Field of Search** **D11/200, 221;**
24/381, 385, 415-417, 427-431; 70/456;
264/252

[56] **References Cited**

U.S. PATENT DOCUMENTS

D. 291,669 9/1987 Oda D11/221
D. 291,670 9/1987 Takabatake D11/221

Primary Examiner—Ralf Seifert
Attorney, Agent, or Firm—Hill, Steadman & Simpson

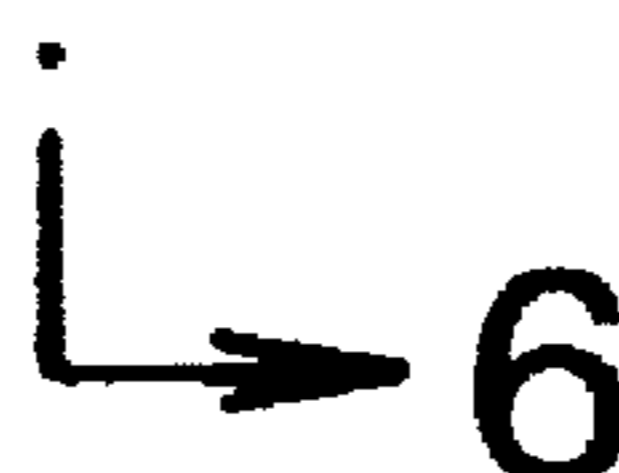
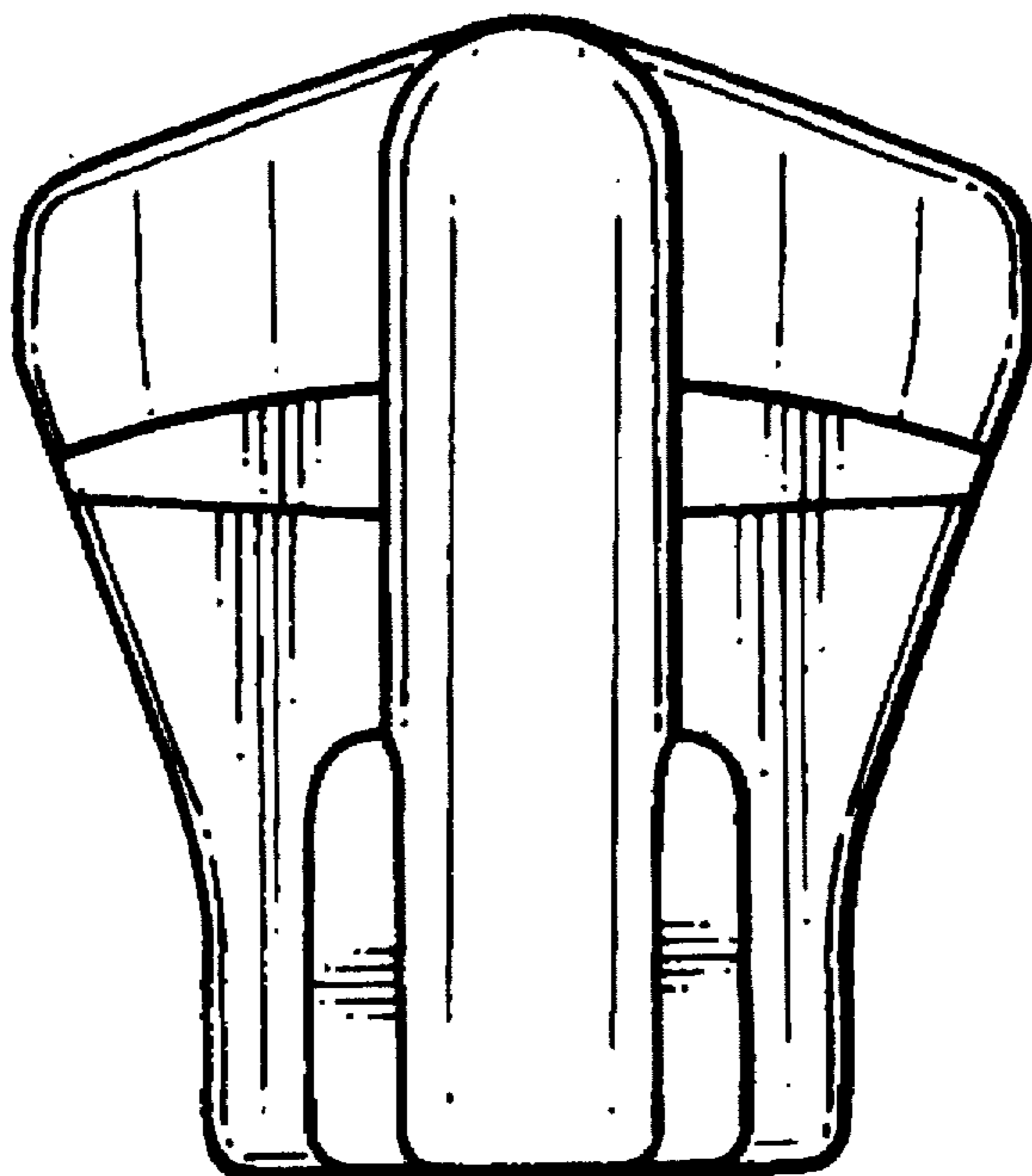
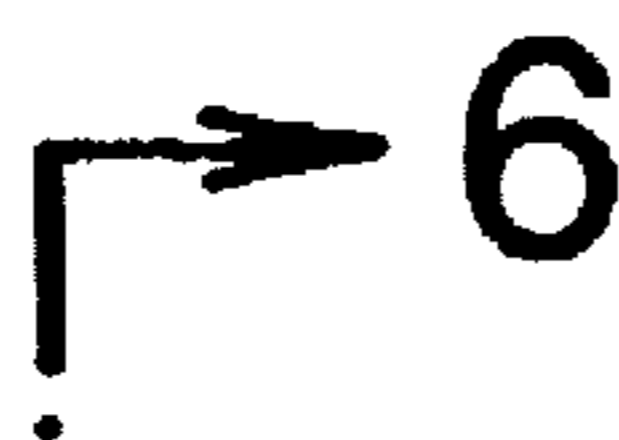
[57] **CLAIM**

The ornamental design for “slider body of slide fastener”, as shown.

DESCRIPTION

FIG. 1 is a front elevational view of a slider body of slide fastener showing my new design;
FIG. 2 is a right side elevational view;
FIG. 3 is a top plan view;
FIG. 4 is a bottom plan view;
FIG. 5 is a rear elevational view; and,
FIG. 6 is a cross-sectional view taken along the line 6—6 of FIG. 1; and,
FIG. 7 is a top plan view, the broken line showing of a pull tab is for illustrative purposes only and forms no part of the claimed design.

1 Claim, 2 Drawing Sheets



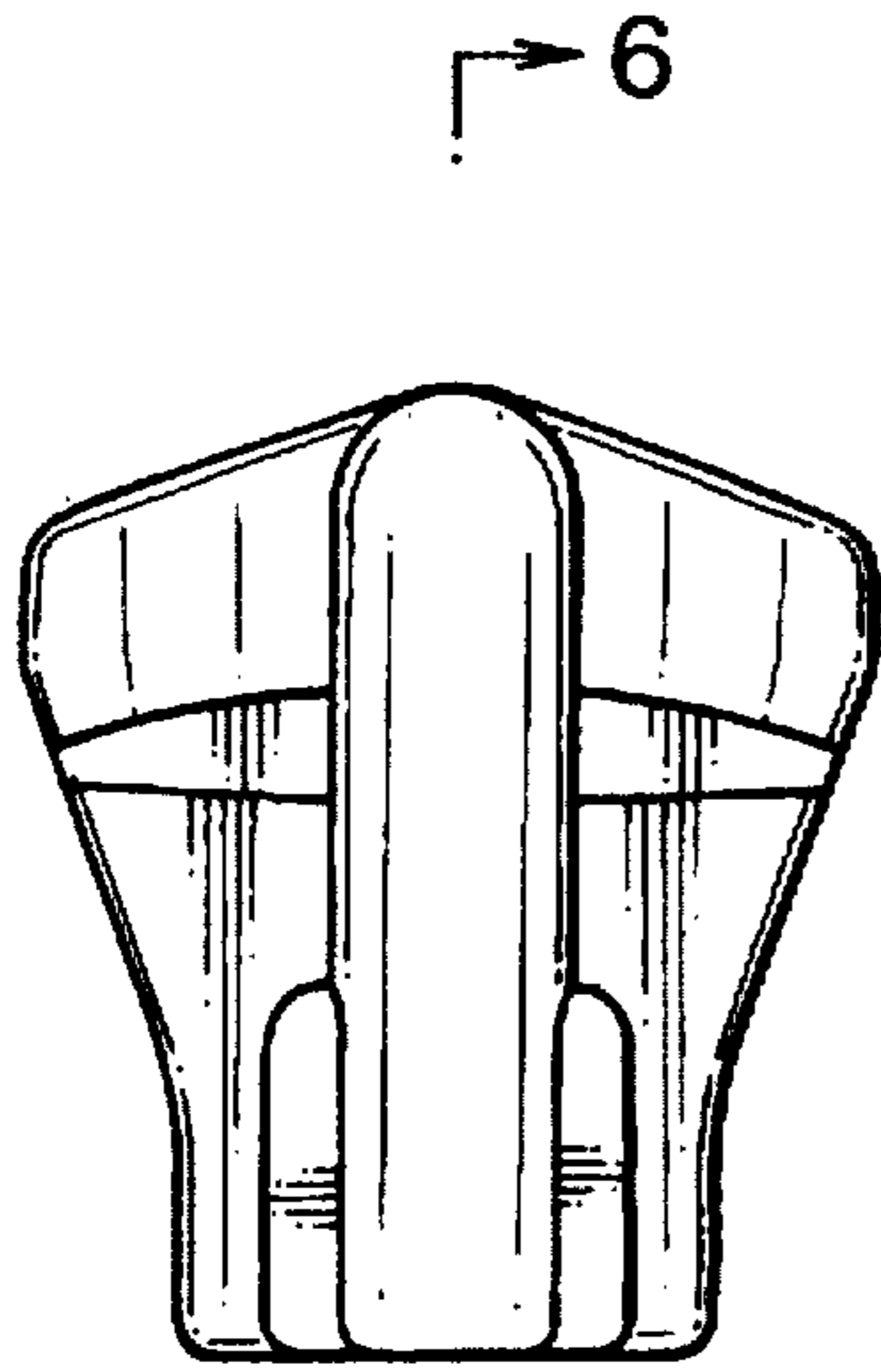


FIG. 1

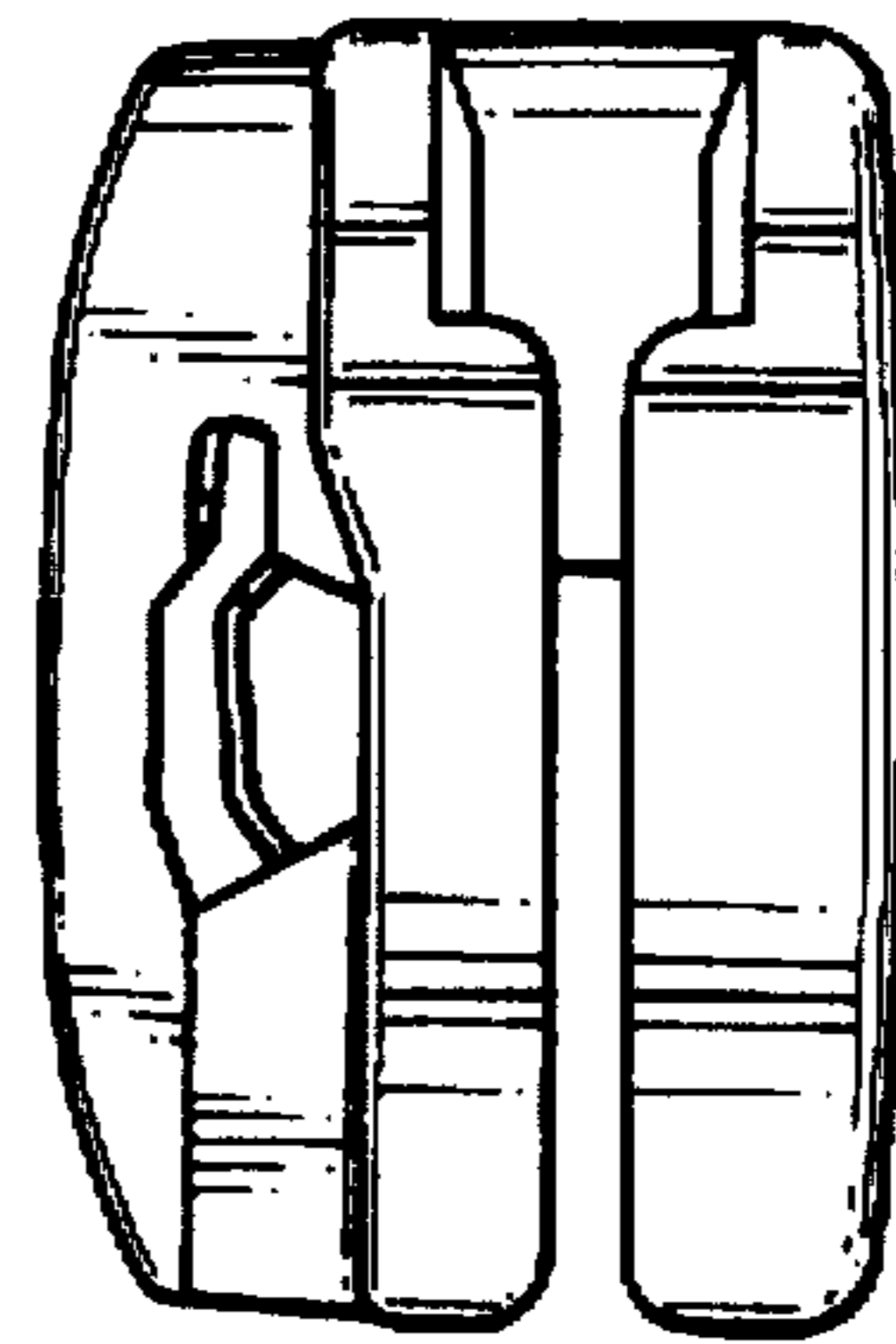


FIG. 2

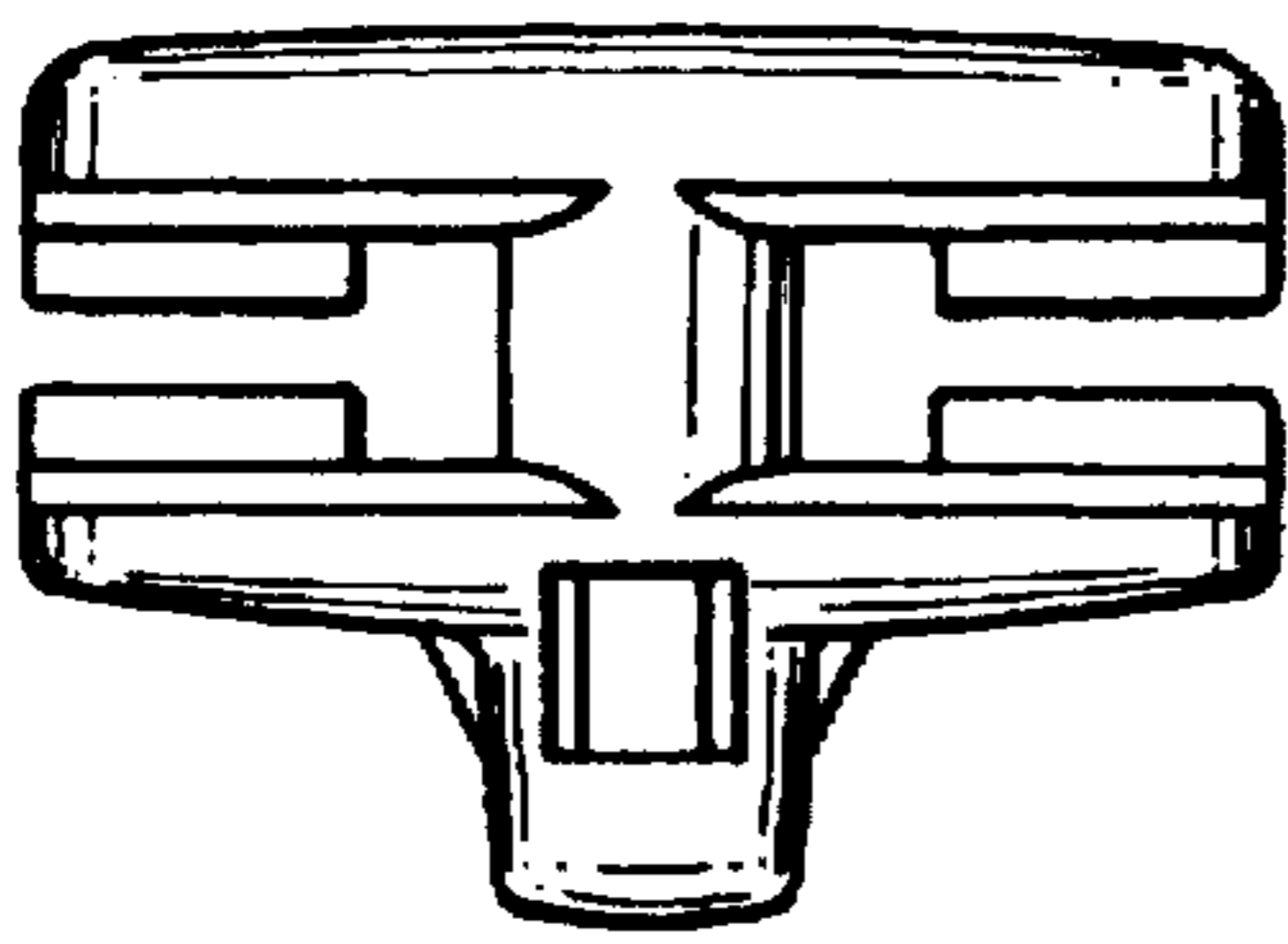


FIG. 3

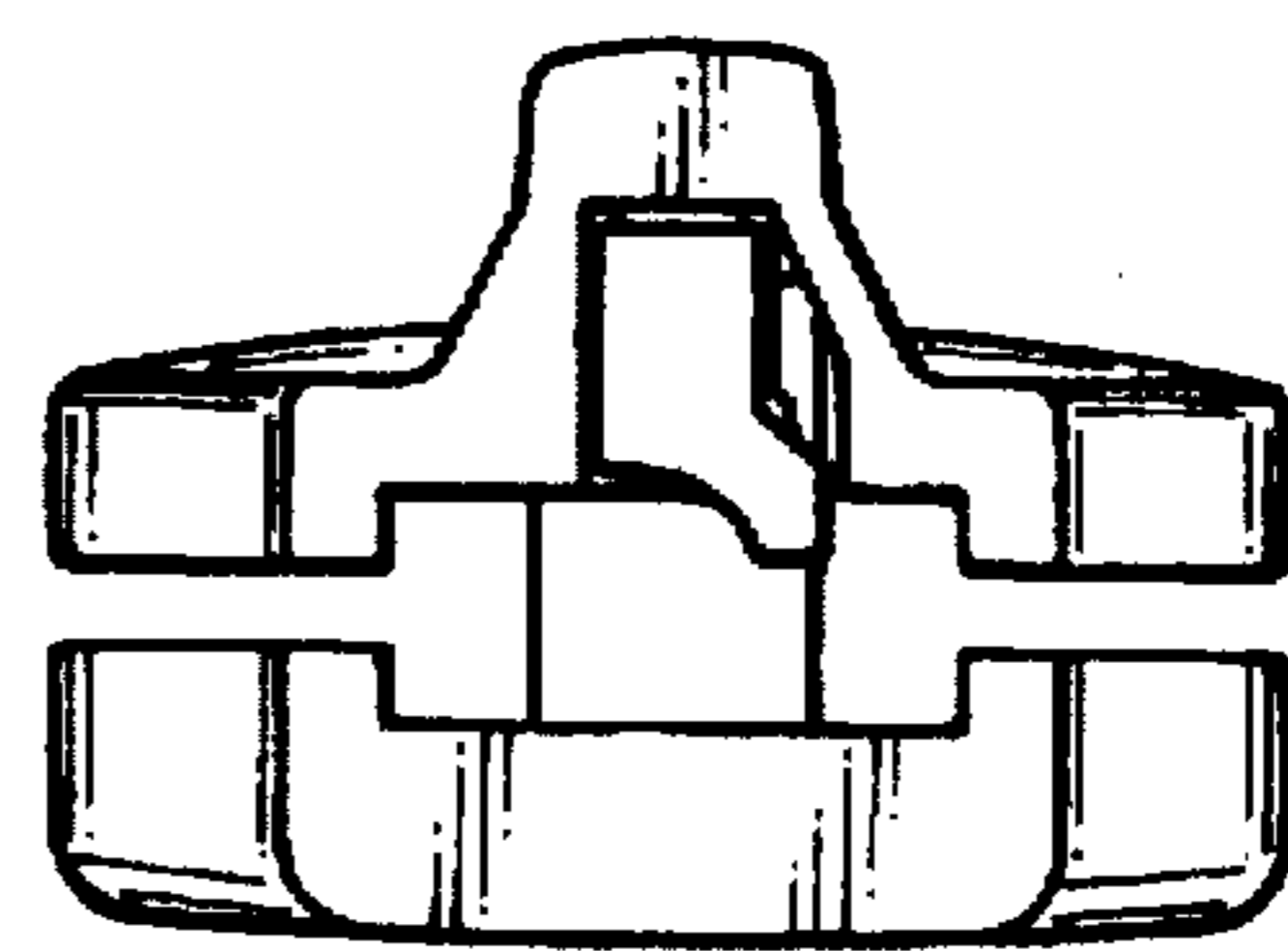


FIG. 4

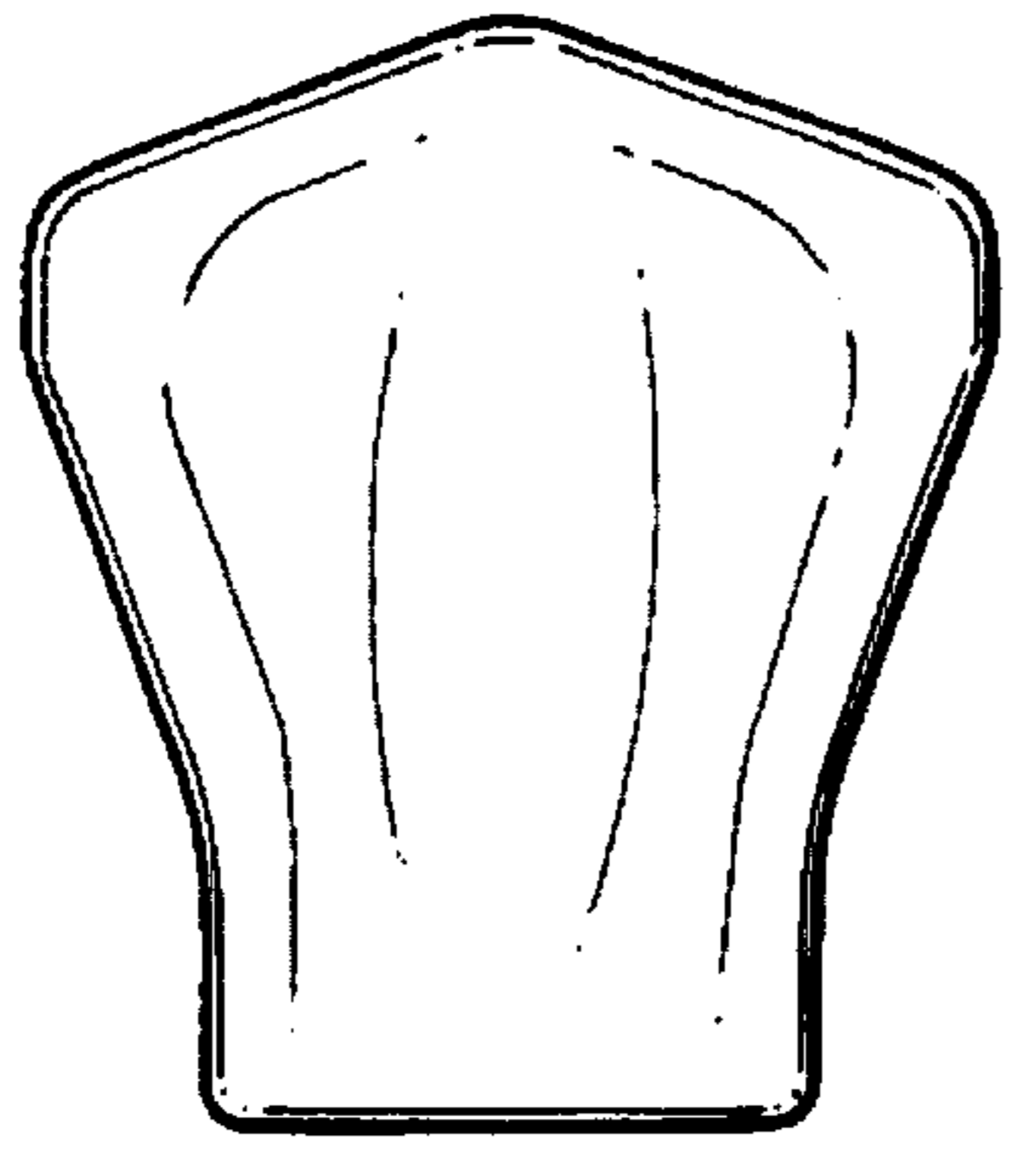


FIG. 5

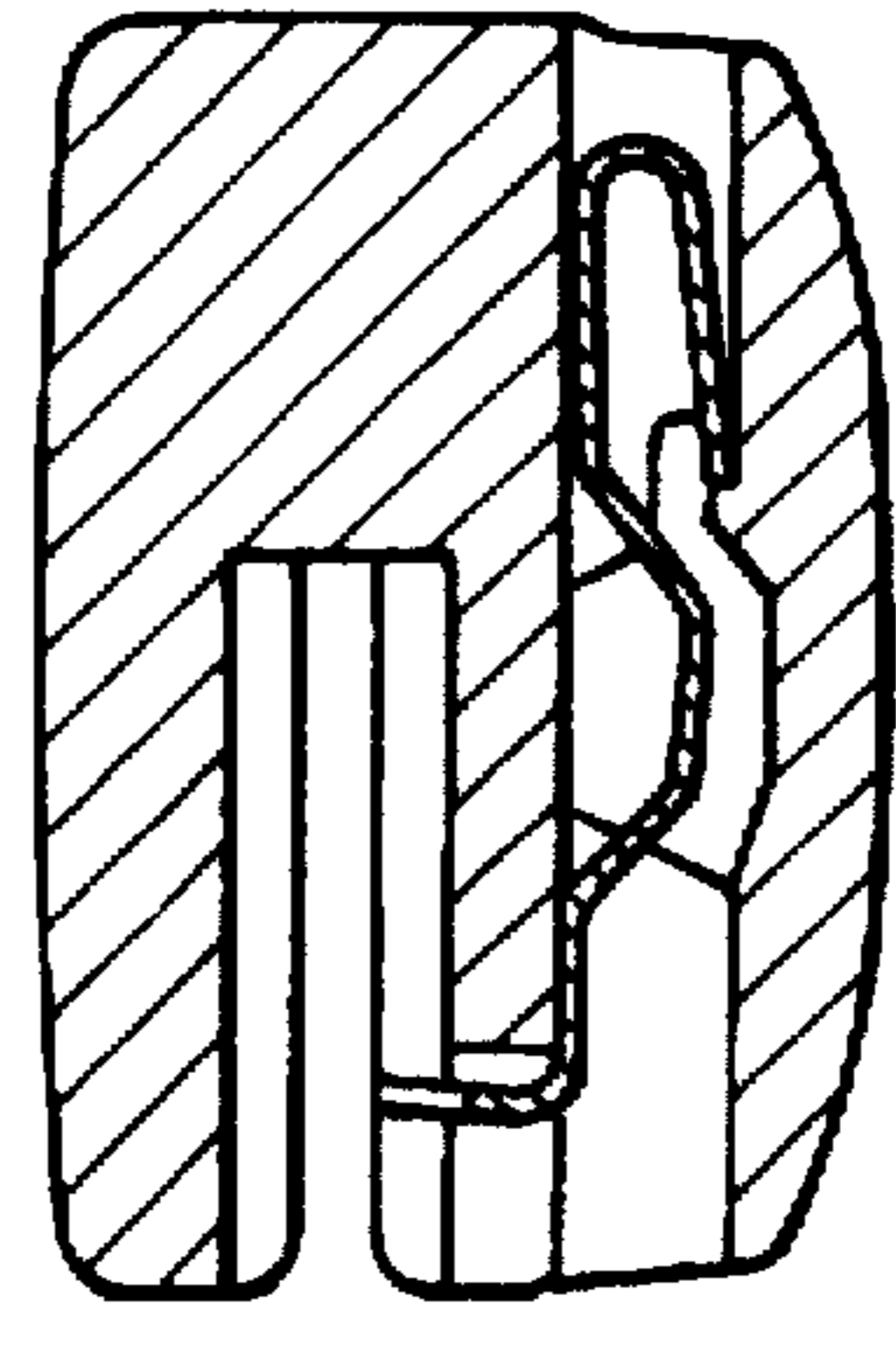


FIG. 6

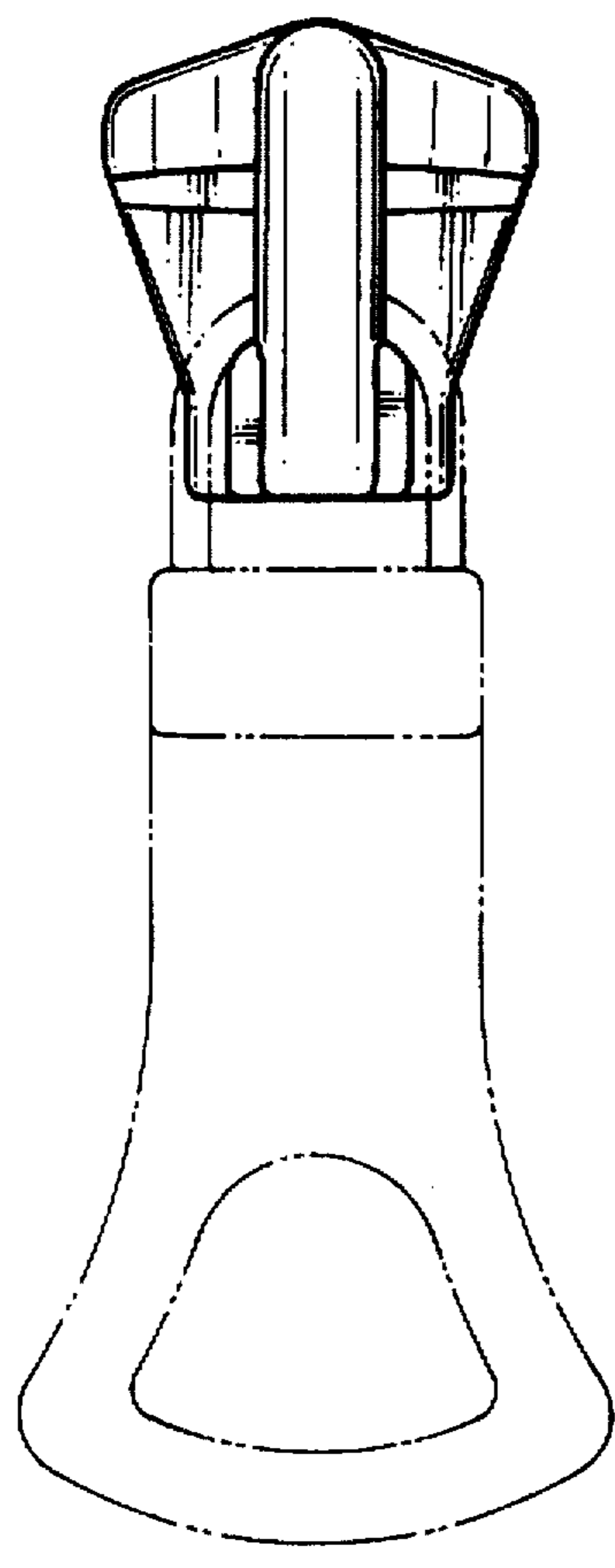


FIG. 7