



US00D392216S

United States Patent [19] Helfer

[11] Patent Number: Des. 392,216
[45] Date of Patent: **Mar. 17, 1998

[54] NECKTIE FORM

[76] Inventor: Matthew M. Helfer, 2225 Branner Ave.-#29, Jefferson City, Tenn. 37760

[**] Term: 14 Years

[21] Appl. No.: 68,086

[22] Filed: Feb. 6, 1997

[51] LOC (6) Cl. 02-07

[52] U.S. Cl. D11/202

[58] Field of Search D11/200-206,
D11/215; 63/2; 24/49 R, 49 CC, 49 D,
49 K

[56] **References Cited**

U.S. PATENT DOCUMENTS

D. 55,761	7/1920	Esch, Jr.	D11/202
D. 222,150	10/1971	McCarty	D11/202
D. 237,845	12/1975	Saji	D11/202
D. 304,165	10/1989	Mosley	D11/215
1,300,321	4/1919	Wofford .	
1,367,461	2/1921	Caumont .	
1,456,622	5/1923	Crause .	

2,269,769	1/1942	Kennedy	2/153
2,271,067	1/1942	Fruns	2/153
2,450,471	10/1948	Dorkin	2/153
3,756,638	9/1973	Stockberger .	
4,815,722	3/1989	Lizarraga .	

Primary Examiner—Ralf Seifert
Attorney, Agent, or Firm—Myers, Liniak & Berenato

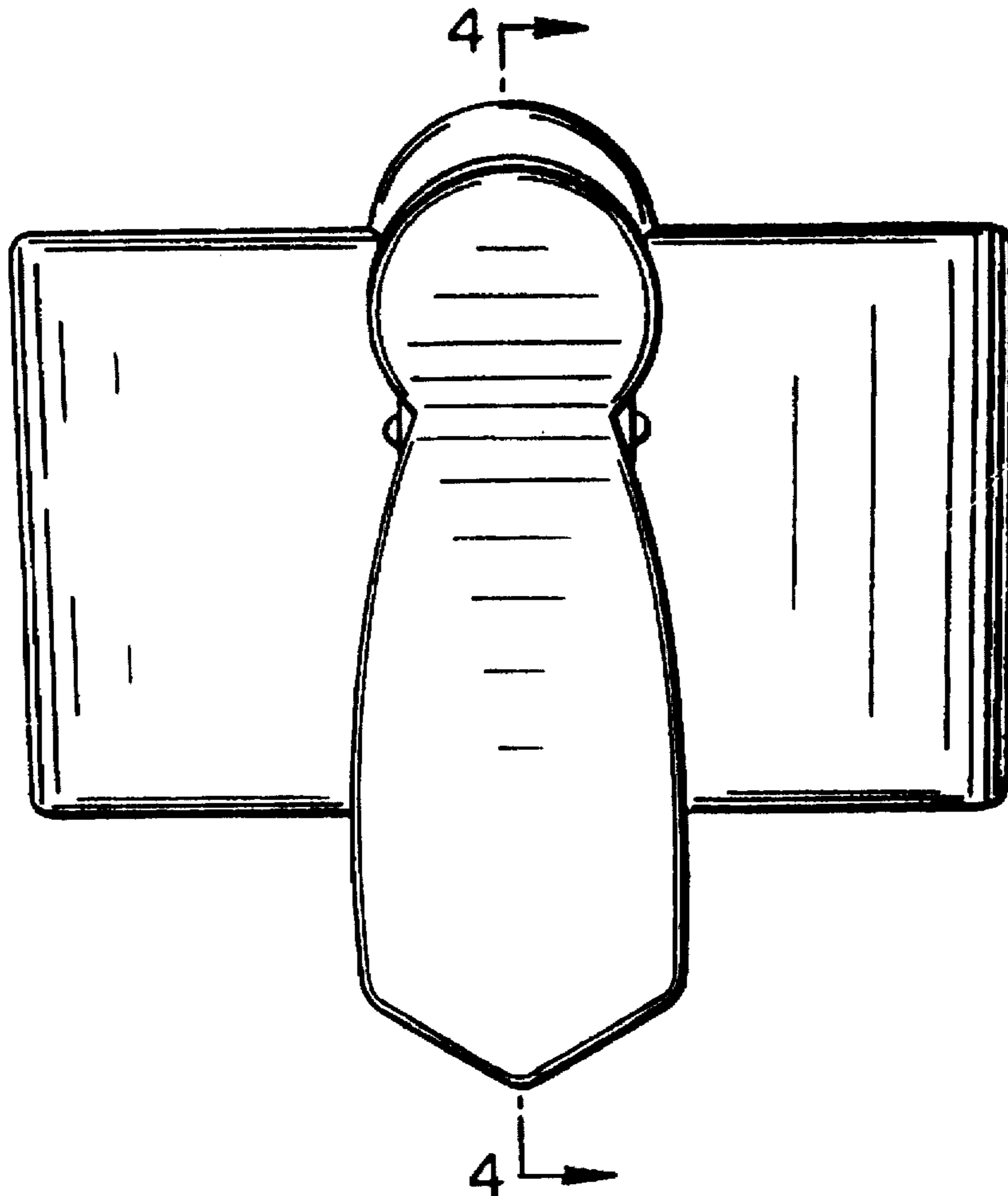
[57] **CLAIM**

The ornamental design for a necktie form, as shown and described.

DESCRIPTION

FIG. 1 is a front elevational view of a necktie form showing my new design;
FIG. 2 is a right side elevational view;
FIG. 3 is a rear elevational view;
FIG. 4 is a cross sectional view taken along the line 4—4 of FIG. 1;
FIG. 5 is a top plan view;
FIG. 6 is a bottom plan view; and,
FIG. 7 is a perspective view of a necktie form showing a second embodiment of my new design; it being understood that all of the views not shown are like those of FIGS. 1-6 with the exception of the pattern on the simulative tie.

1 Claim, 2 Drawing Sheets



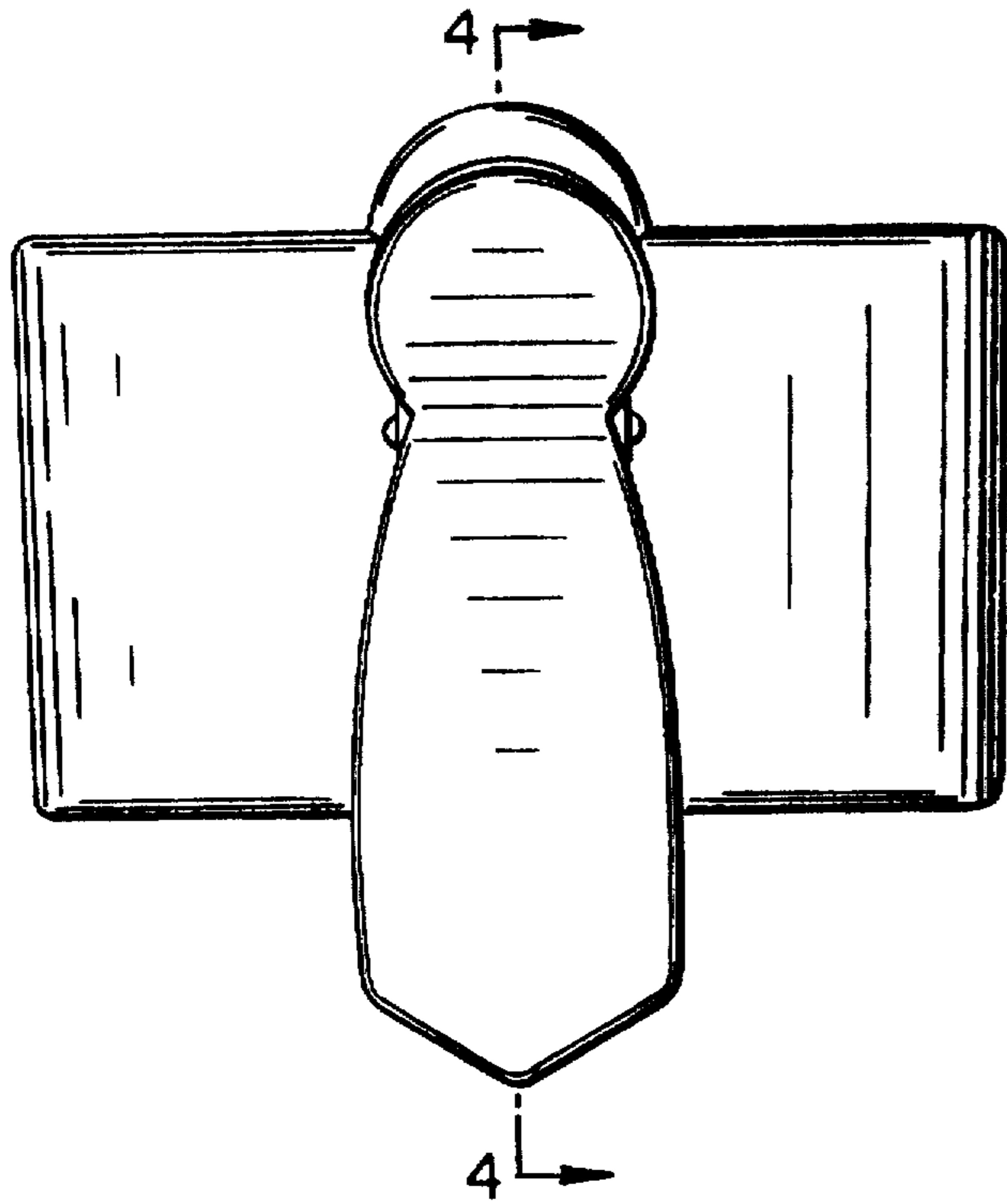


Fig. 1

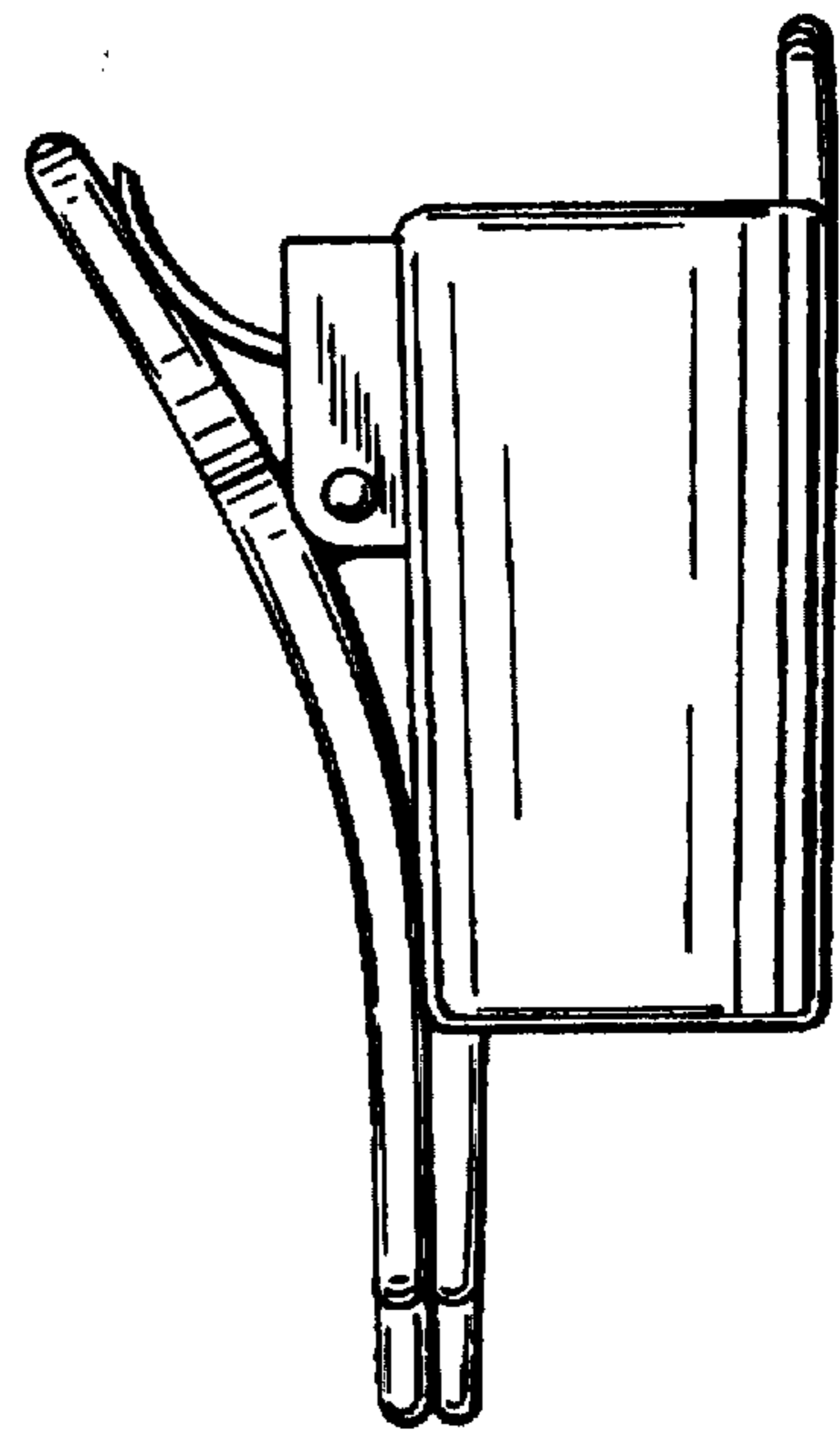


Fig. 2

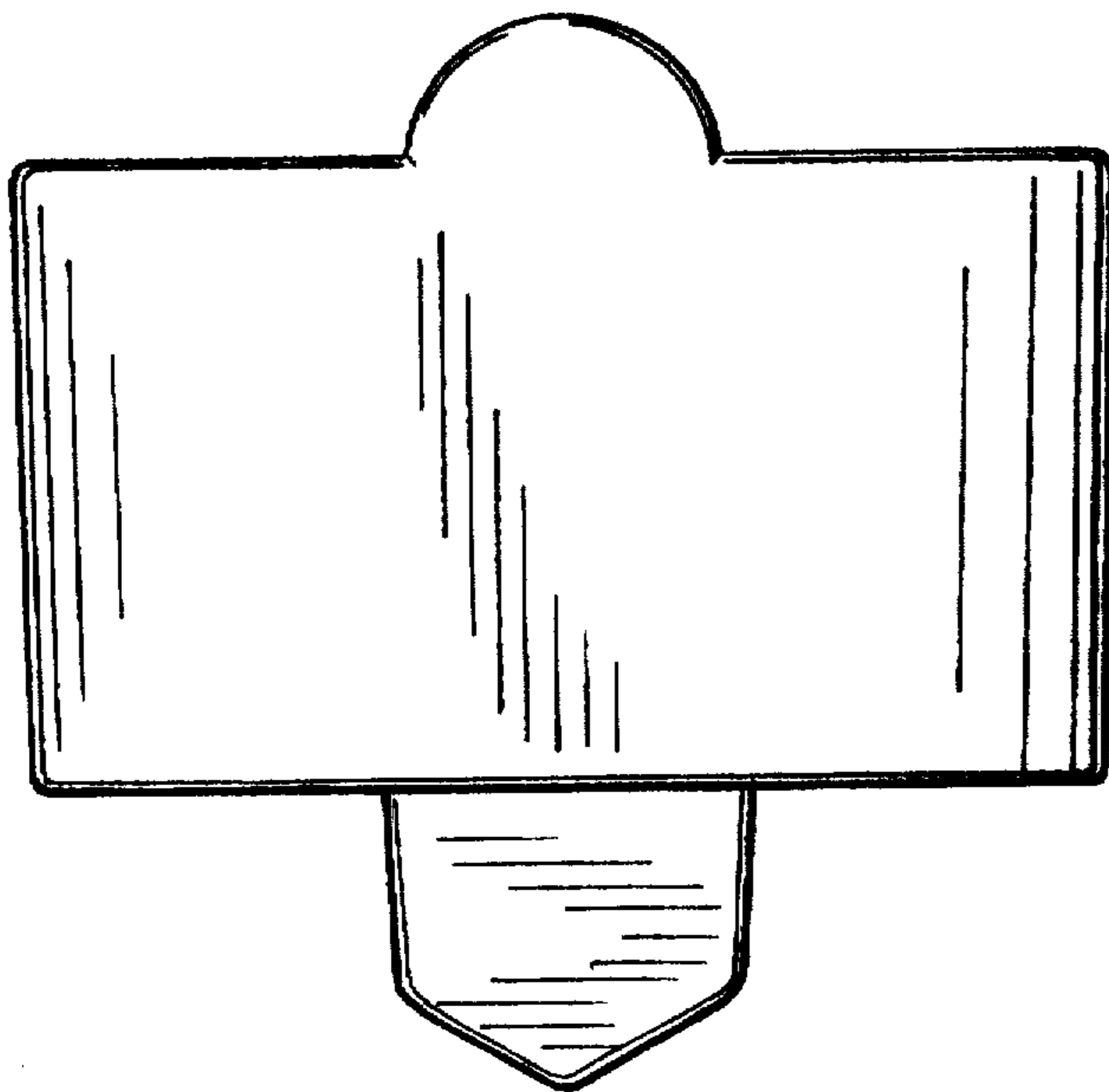


Fig. 3

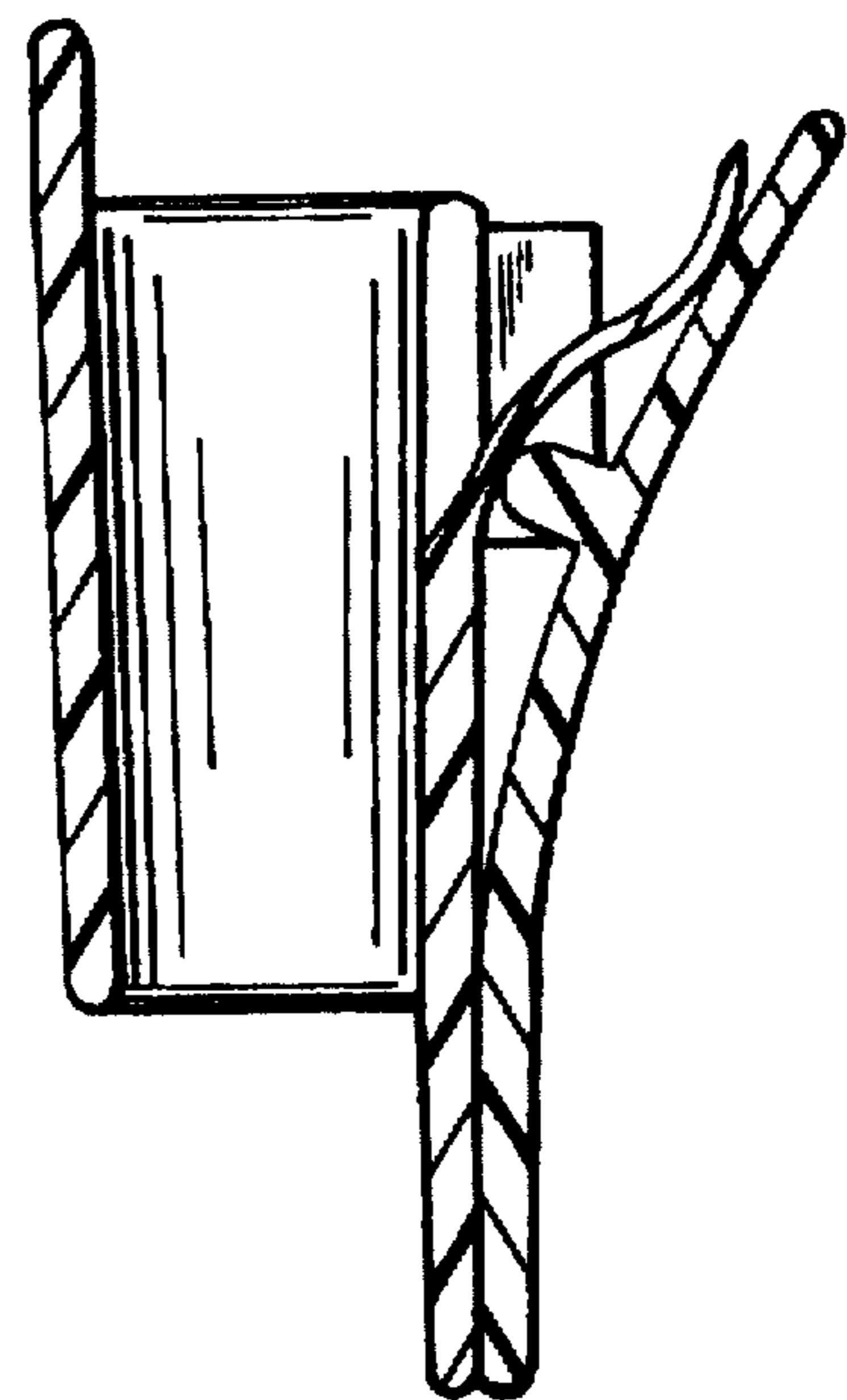


Fig. 4

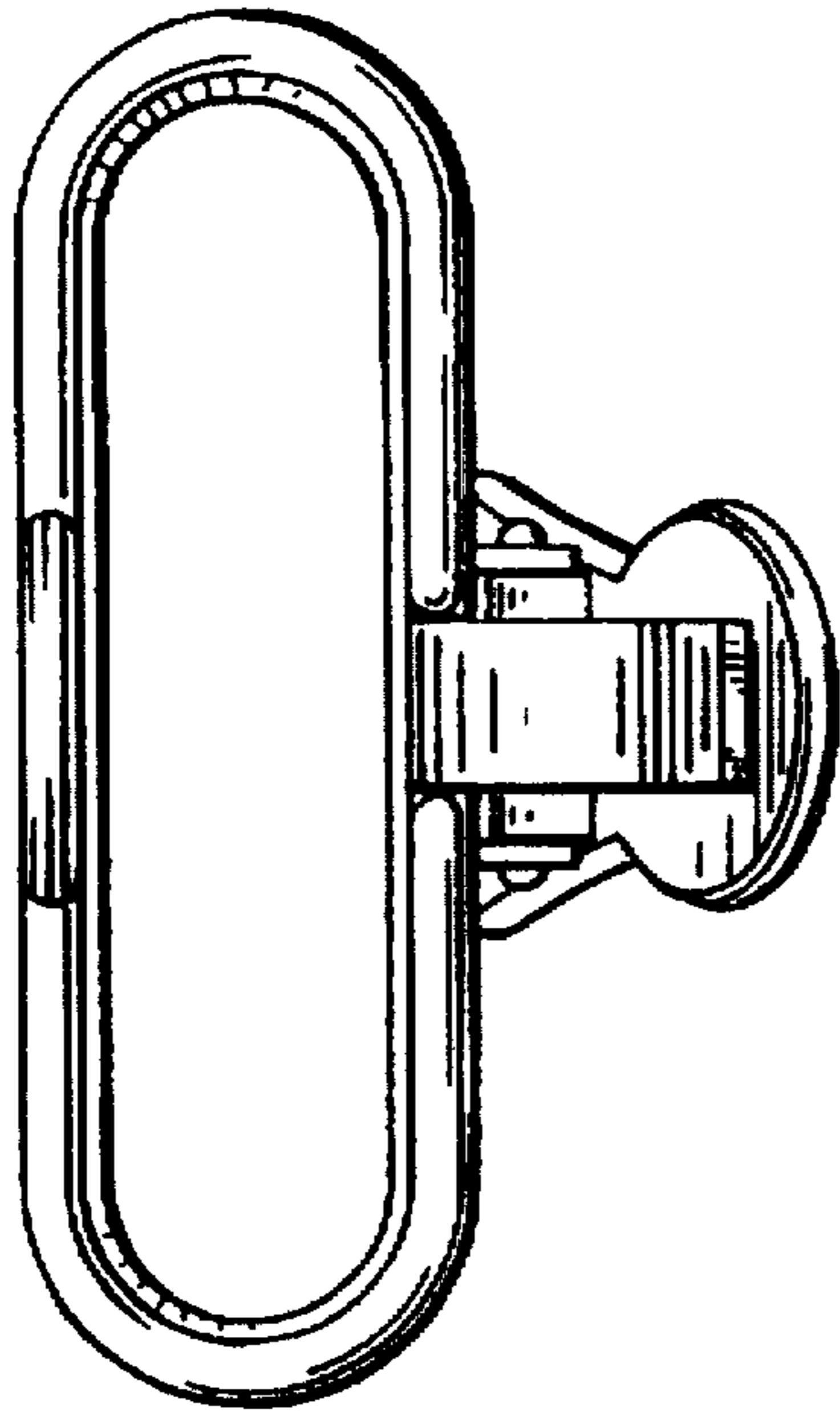


Fig. 5

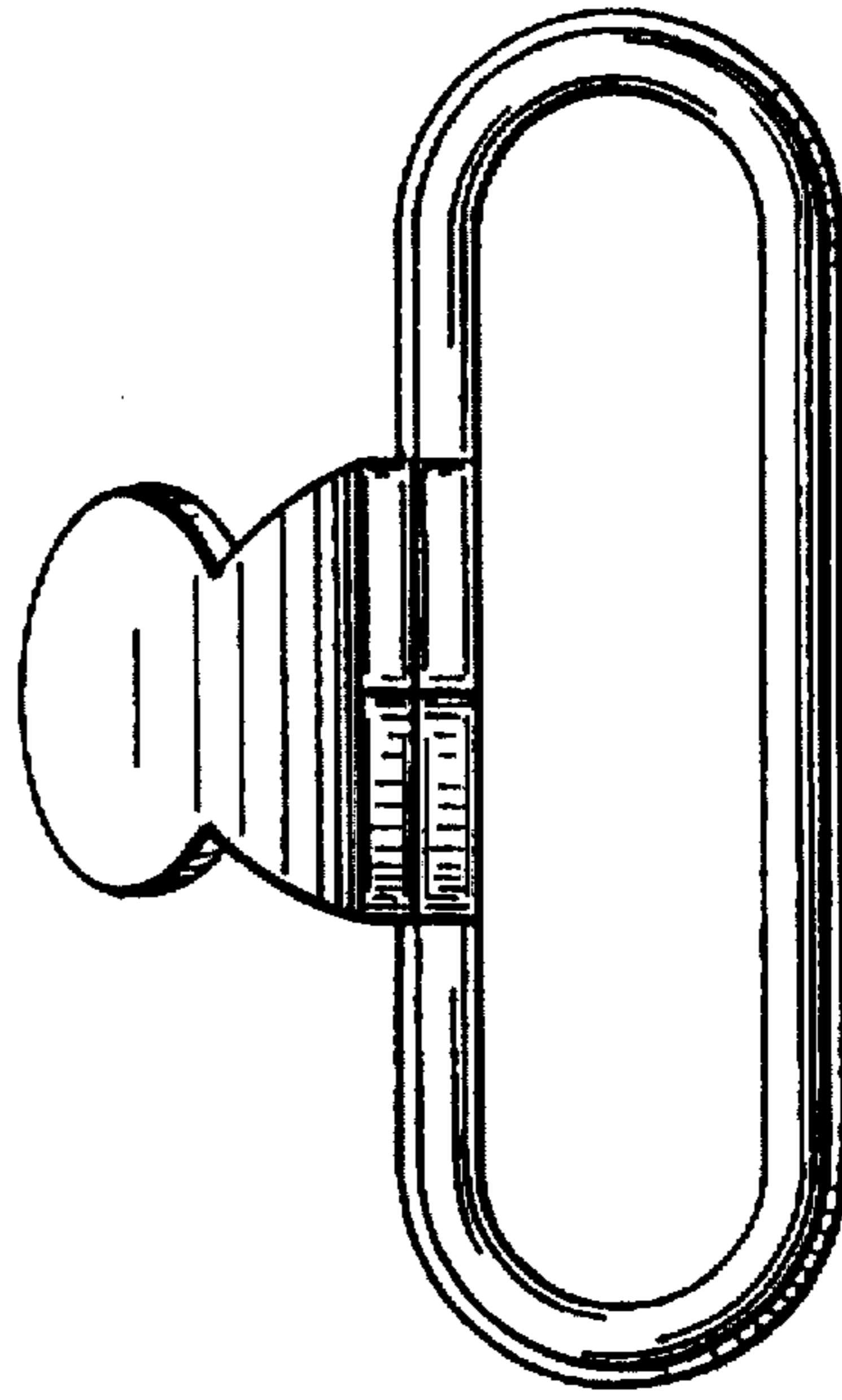


Fig. 6

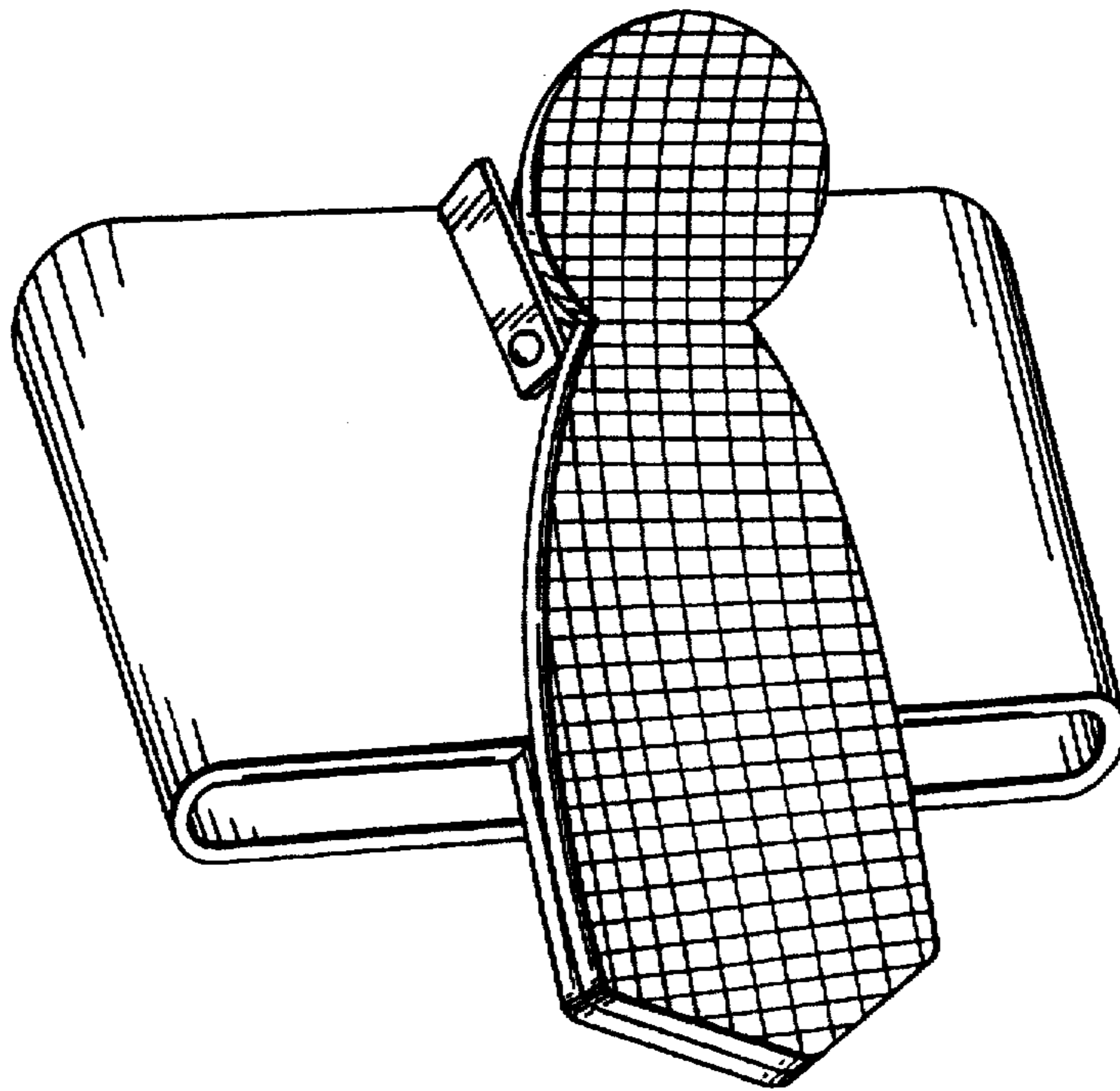


Fig. 7