



US00D392199S

United States Patent [19]

Evans et al.

[11] Patent Number: **Des. 392,199**

[45] Date of Patent: ****Mar. 17, 1998**

[54] REPAIR STATION CABINET

D. 318,630 7/1991 Lee D10/75
D. 360,644 7/1995 Emery D10/75 X

[75] Inventors: **Evan J. Evans**, Alvord; **Raymond DeWine Heistand, II**, Flower Mound, both of Tex.

Primary Examiner—Antoine Duval Davis
Attorney, Agent, or Firm—Martin Korn

[73] Assignee: **Electronic Packaging Co.**, Dallas, Tex.

[57] **CLAIM**

[**] Term: **14 Years**

The ornamental design for "repair station cabinet", as shown and described.

[21] Appl. No.: **64,316**

DESCRIPTION

[22] Filed: **Dec. 27, 1996**

FIG. 1 is a perspective view of our new repair station cabinet;

[51] LOC (6) Cl. **10-04**

[52] U.S. Cl. **D10/75**

FIG. 2 is a front elevational view thereof;

[58] Field of Search D10/75, 46; D15/199;

FIG. 3 is a right side view thereof;

324/156, 158, 765-769; 364/580; 379/28, 93.17; 395/183.01

FIG. 4 is a top plan view thereof;

FIG. 5 is a rear elevational view thereof;

FIG. 6 is a left side view thereof; and,

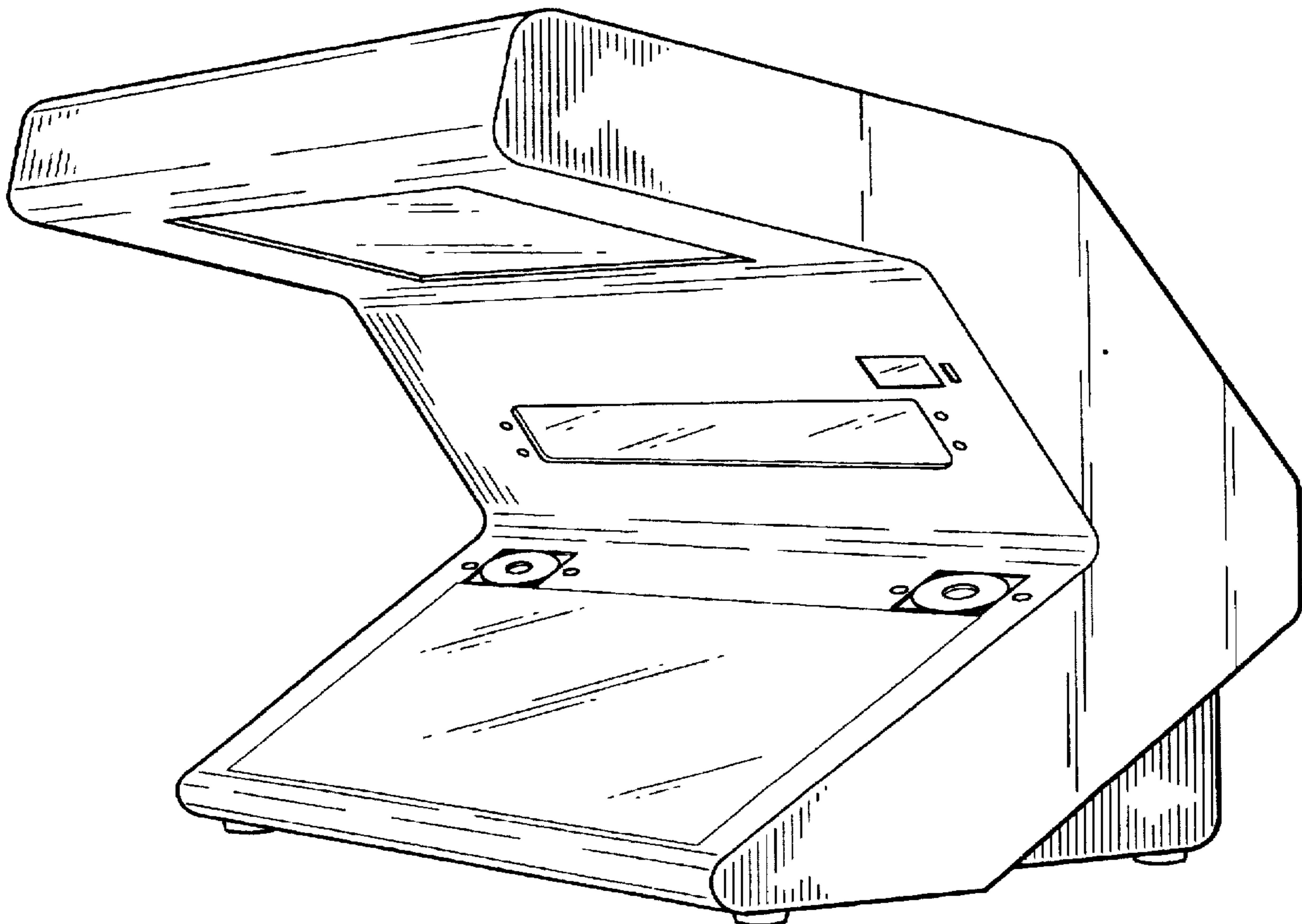
FIG. 7 is a bottom plan view thereof.

[56] **References Cited**

U.S. PATENT DOCUMENTS

D. 218,430 8/1970 Shimasaki D10/75

1 Claim, 2 Drawing Sheets



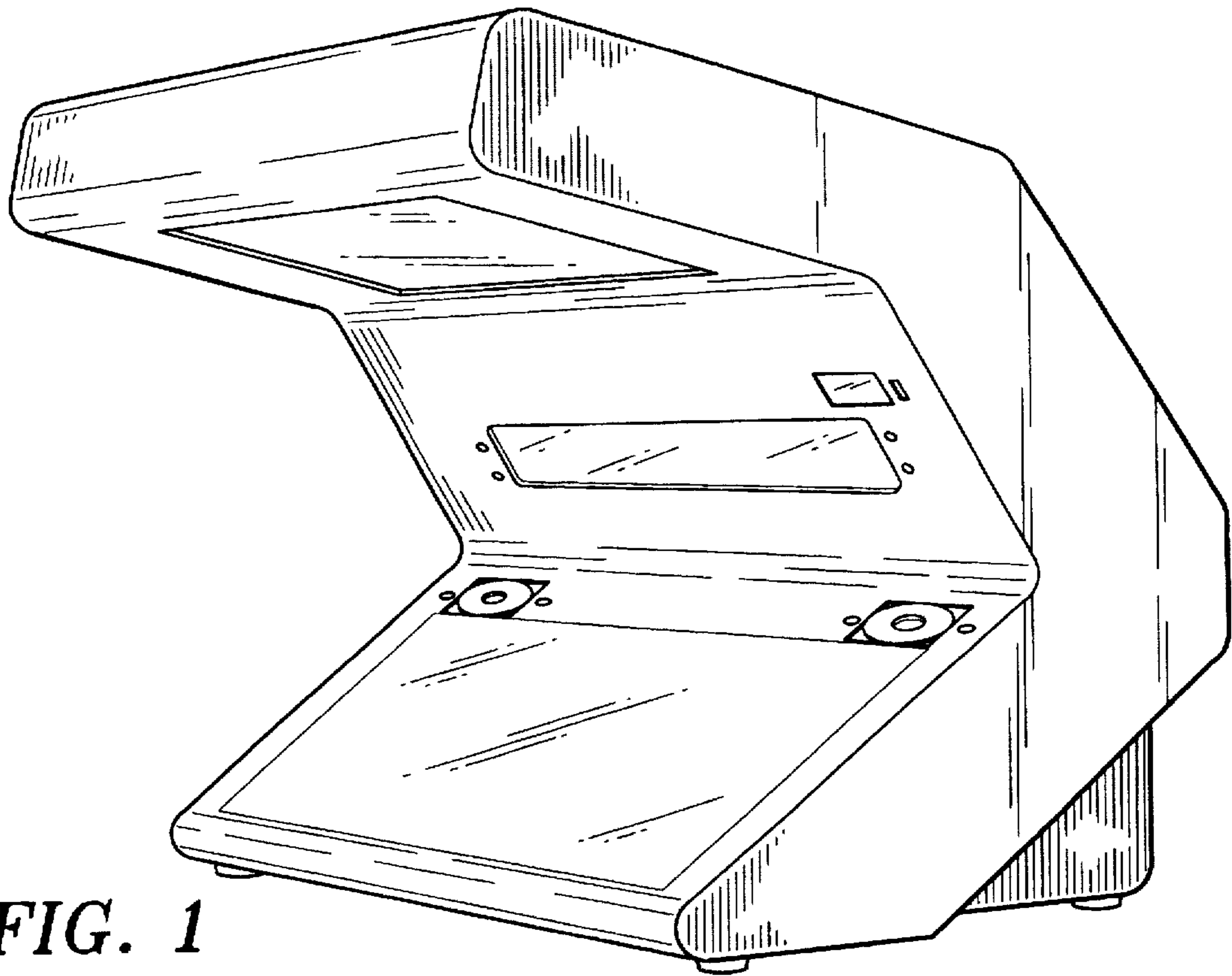


FIG. 1

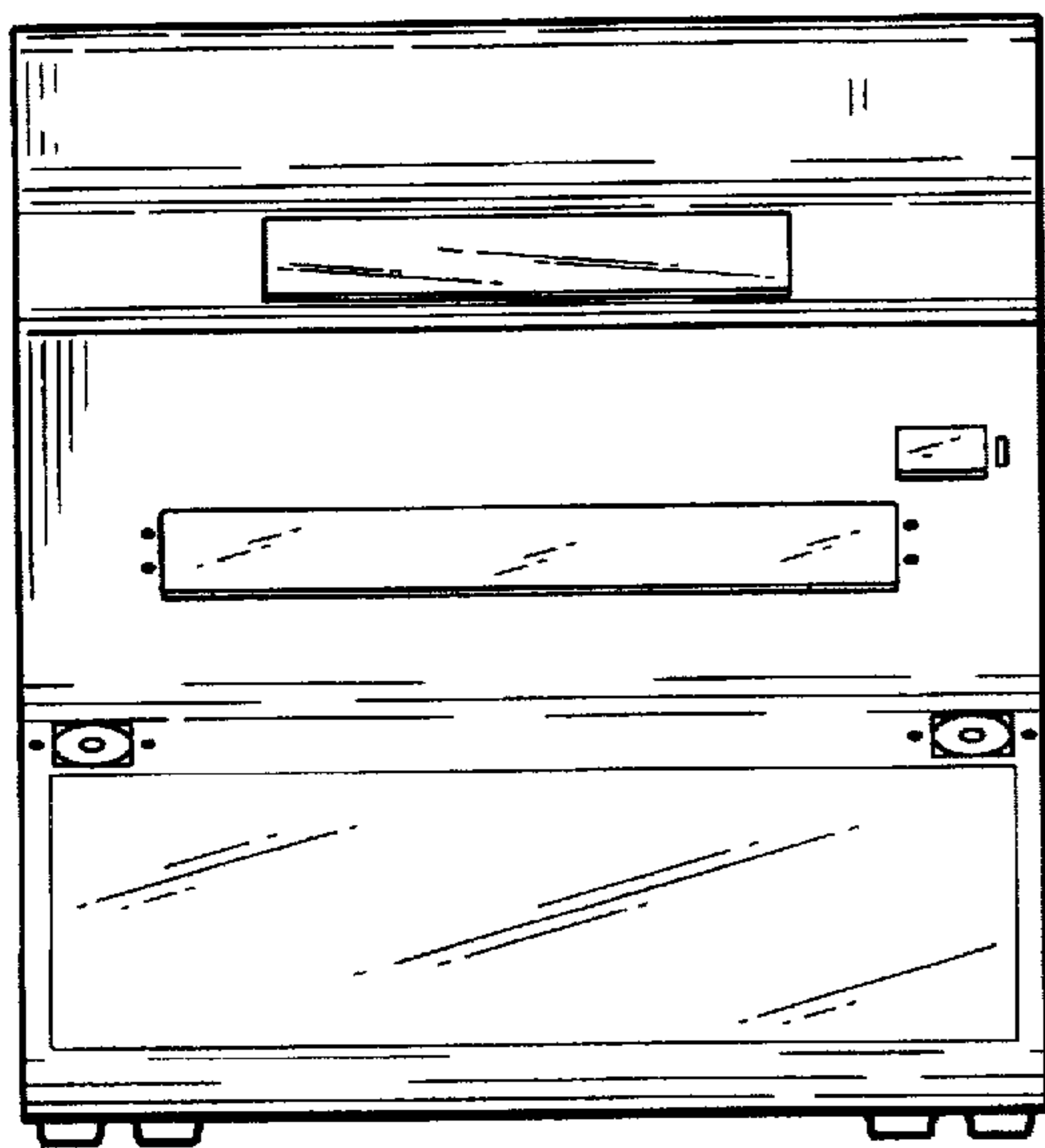


FIG. 2

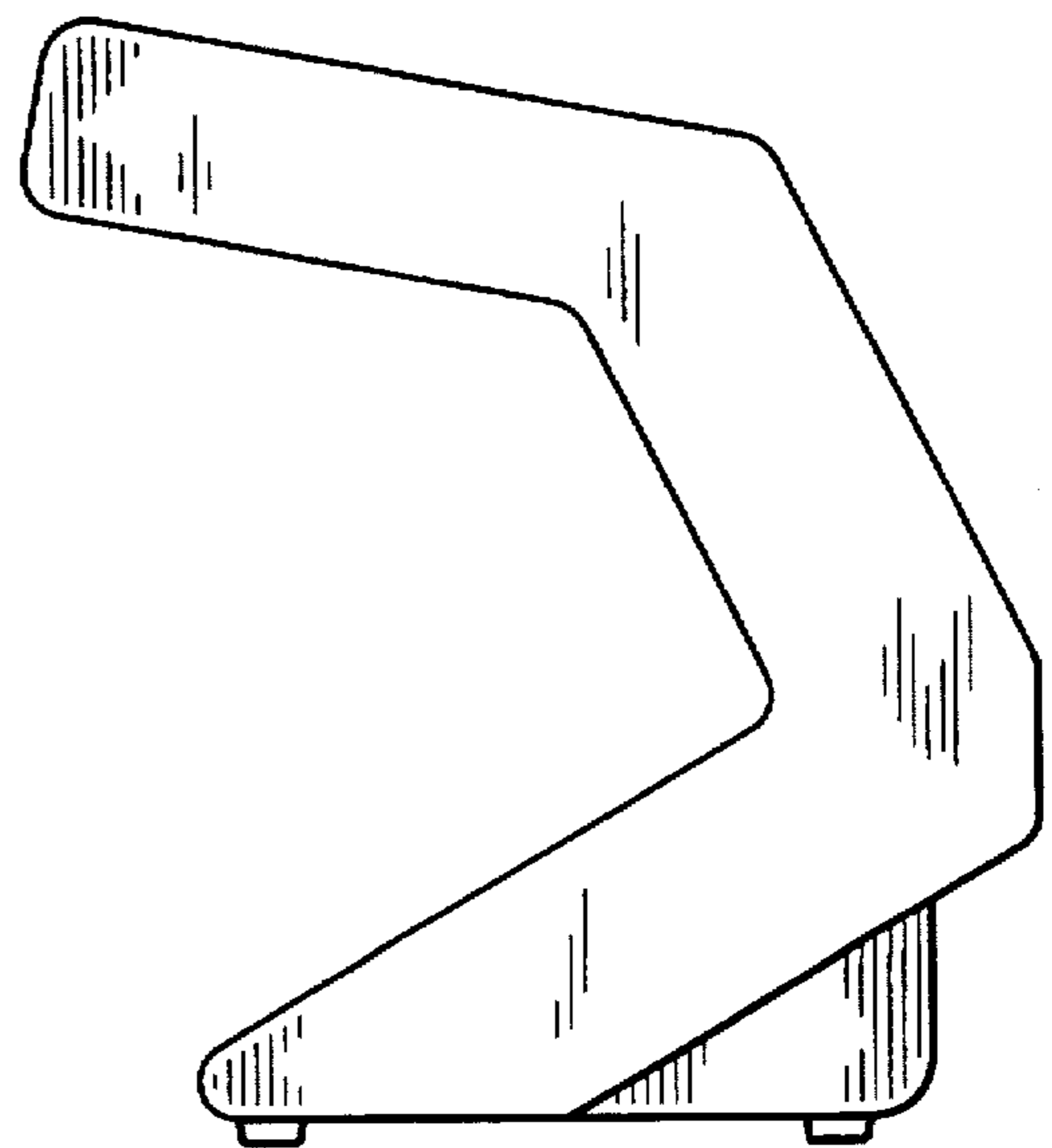


FIG. 3



FIG. 4

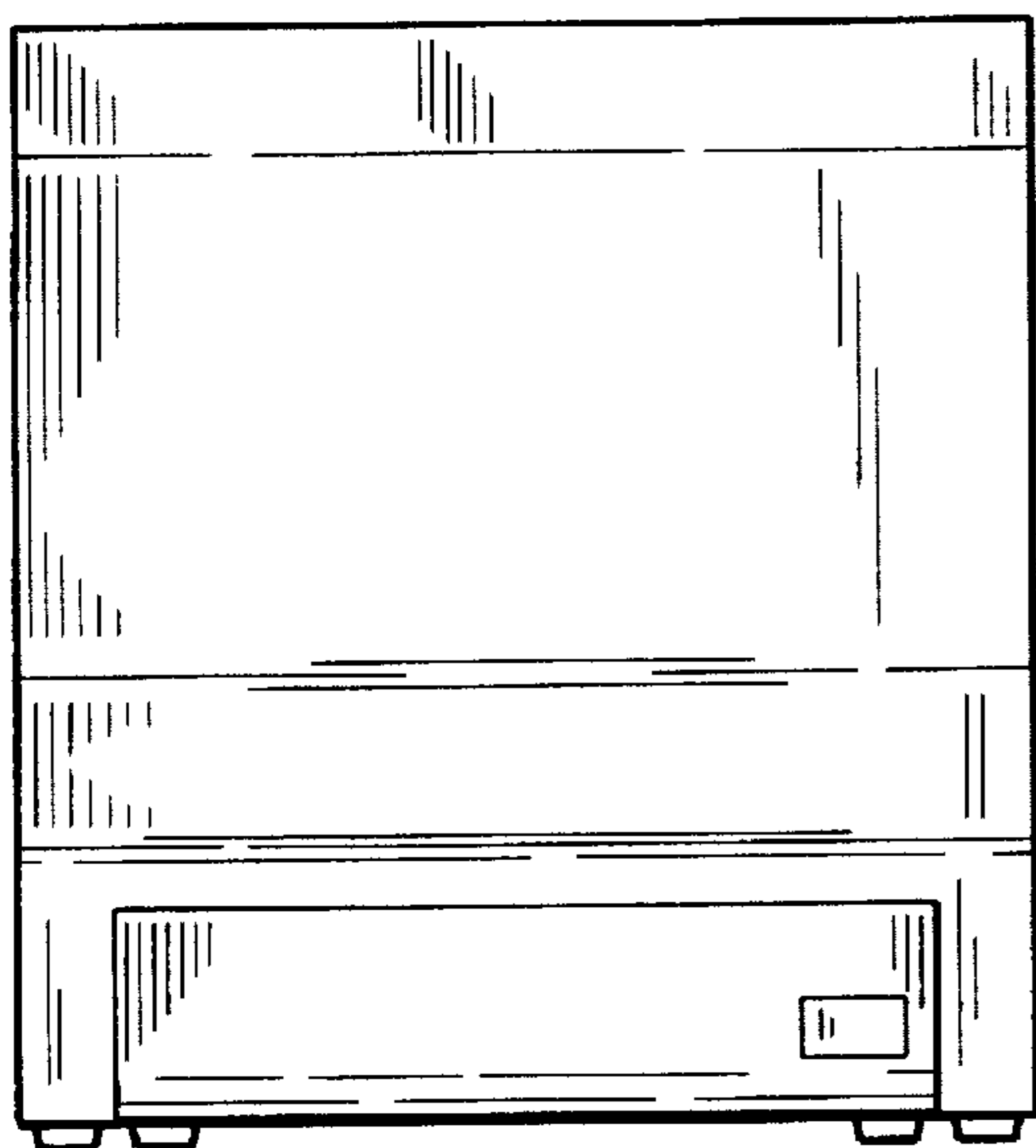


FIG. 5

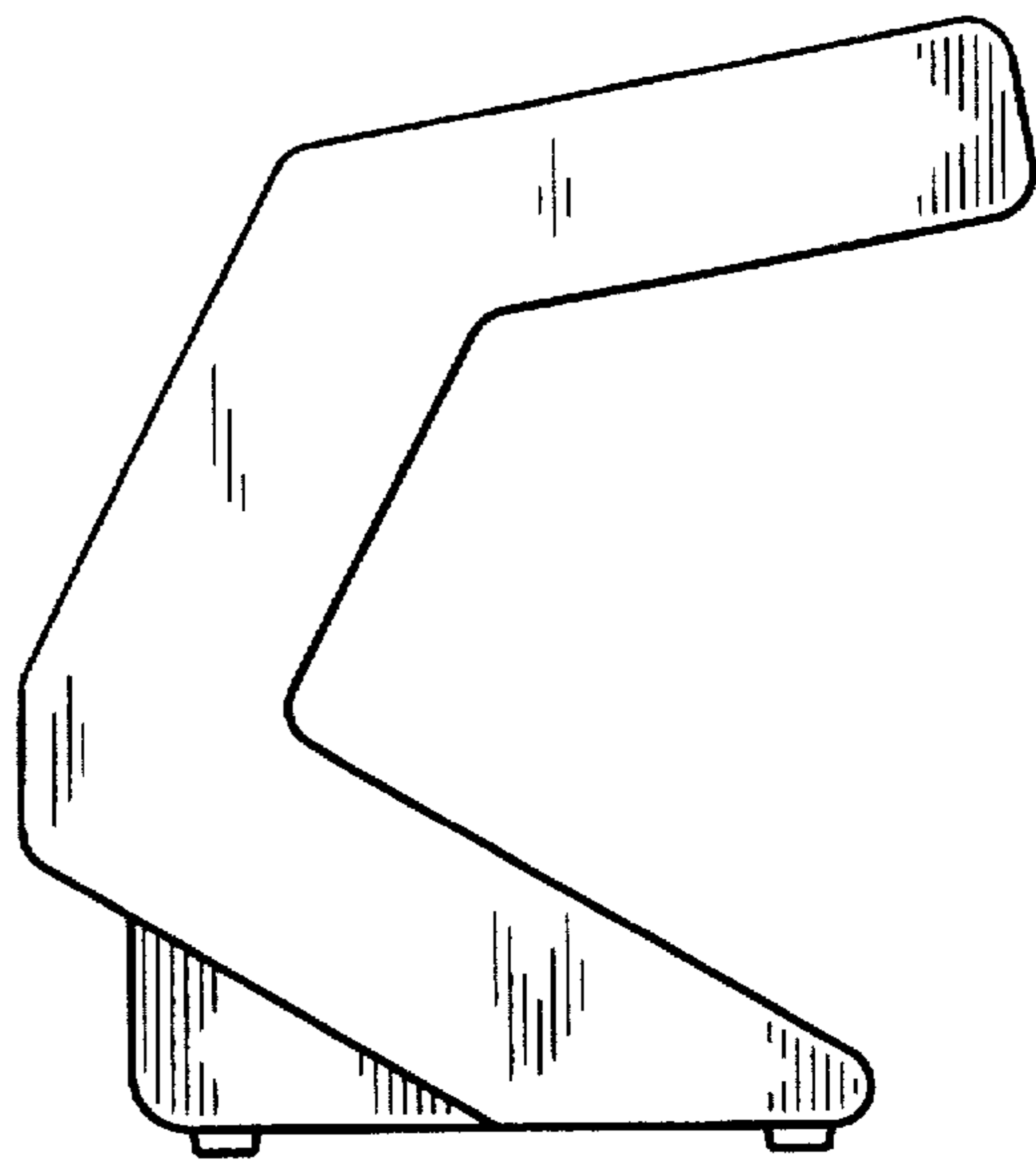


FIG. 6

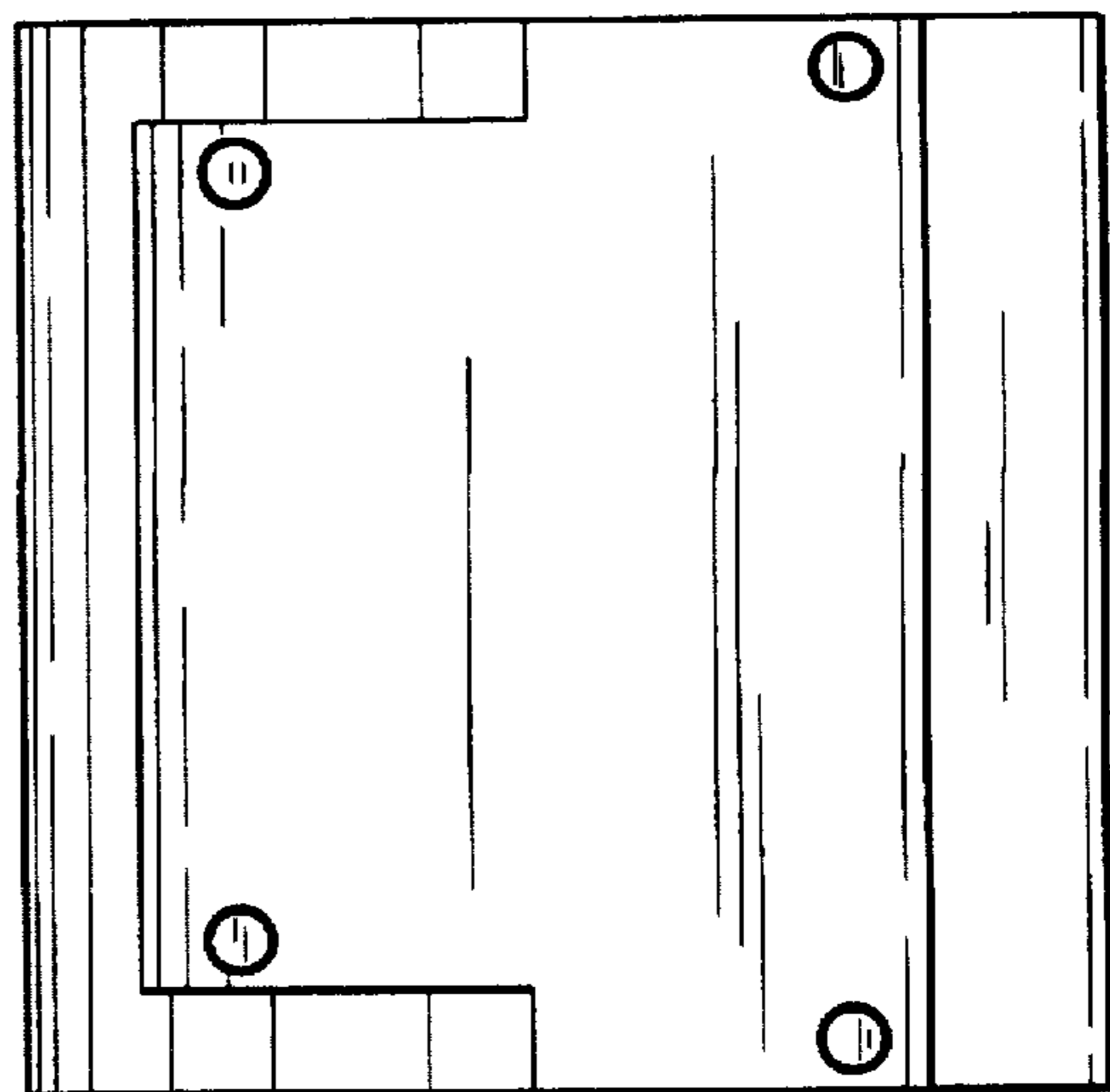


FIG. 7