



US00D392198S

# United States Patent [19]

[11] Patent Number: Des. 392,198

Doust

[45] Date of Patent: \*\*Mar. 17, 1998

[54] SPIRIT LEVEL

[76] Inventor: Philip George Doust, 33 Parnell Ave.  
Marmion 6020, Western Australia,  
Australia

[\*\*] Term: 14 Years

[21] Appl. No.: 61,701

[22] Filed: Oct. 29, 1996

[51] LOC (6) Cl. .... 10-04

[52] U.S. Cl. .... D10/69

[58] Field of Search ..... D10/69; 33/365-390

[56] References Cited

U.S. PATENT DOCUMENTS

D. 318,434	7/1991	Wurst	.....	D10/69
D. 319,029	8/1991	Burt	.....	D10/69
D. 356,513	3/1995	Burkholder, II	.....	D10/64

Primary Examiner—Antoine Duval Davis  
Attorney, Agent, or Firm—Larson & Taylor

[57] CLAIM

The ornamental design for a spirit level, as shown and described.

DESCRIPTION

FIG. 1 is a front perspective view of the spirit level showing my new design;

FIG. 2 is a top plan view thereof;

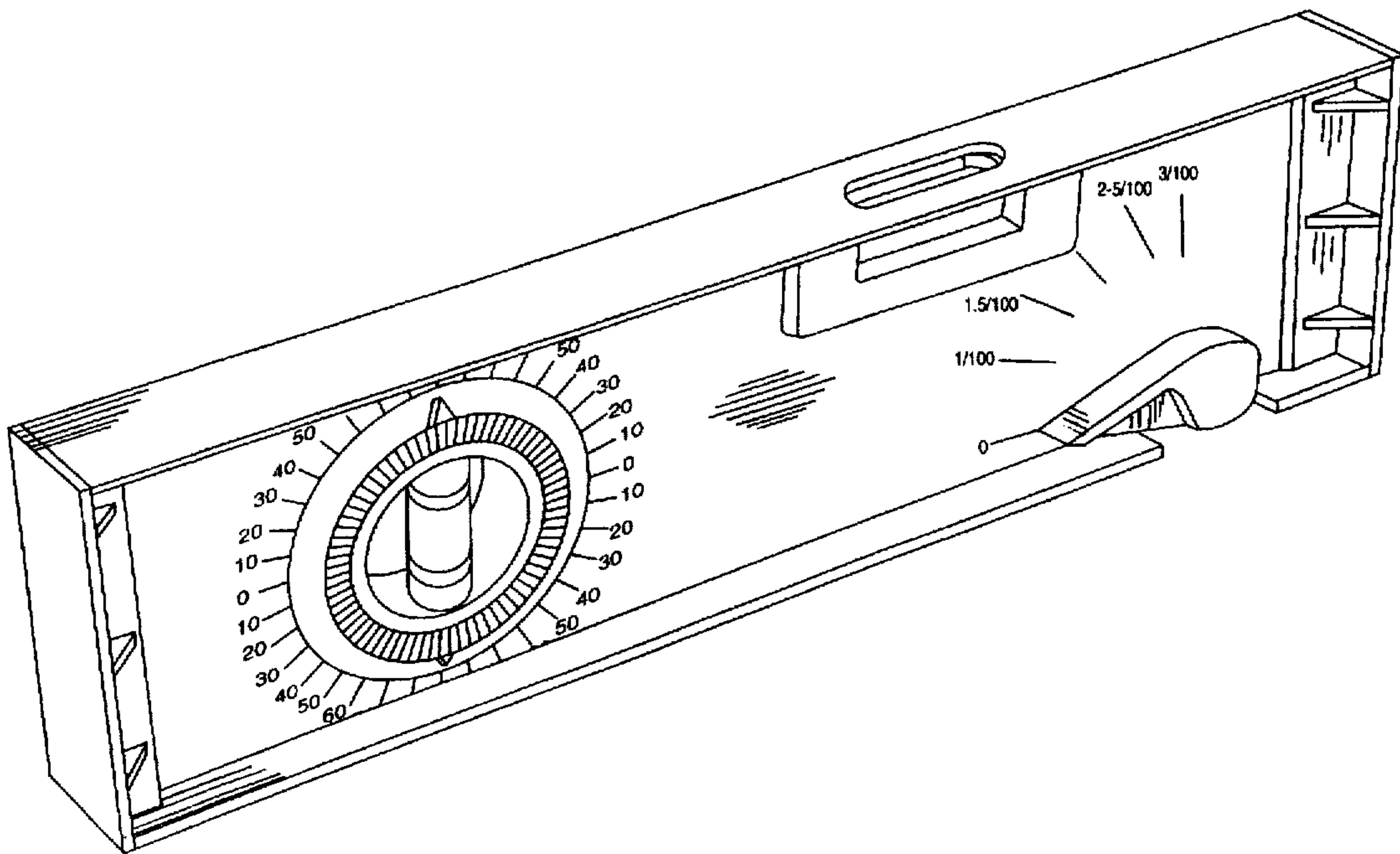
FIG. 3 is a front elevational view thereof;

FIG. 4 is a bottom plan view thereof;

FIG. 5 is a rear elevational view thereof; and,

FIG. 6 is a left side elevational view thereof (the right side elevational view being identical).

1 Claim, 2 Drawing Sheets



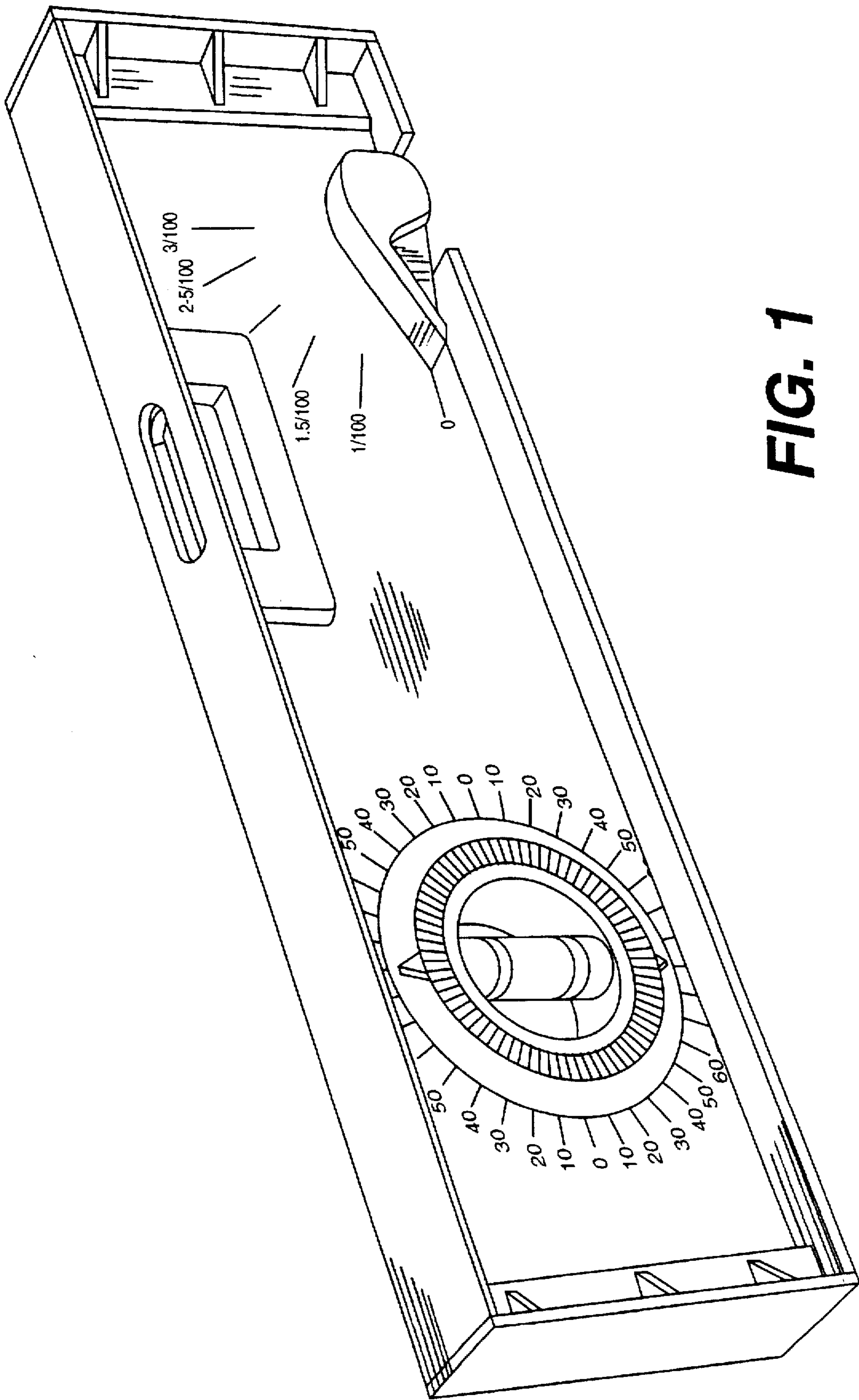
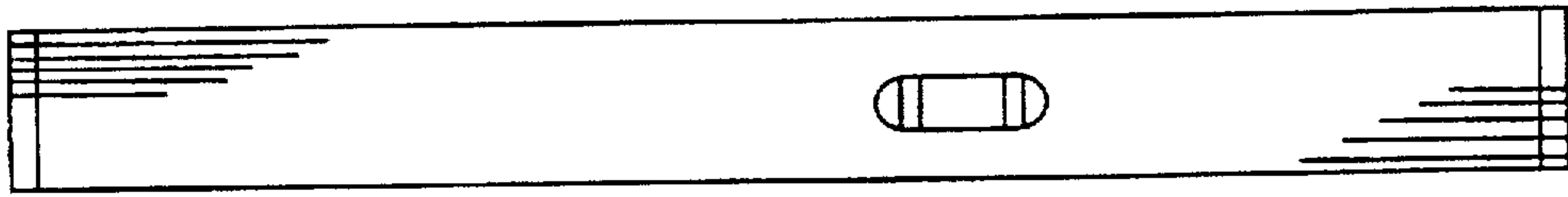
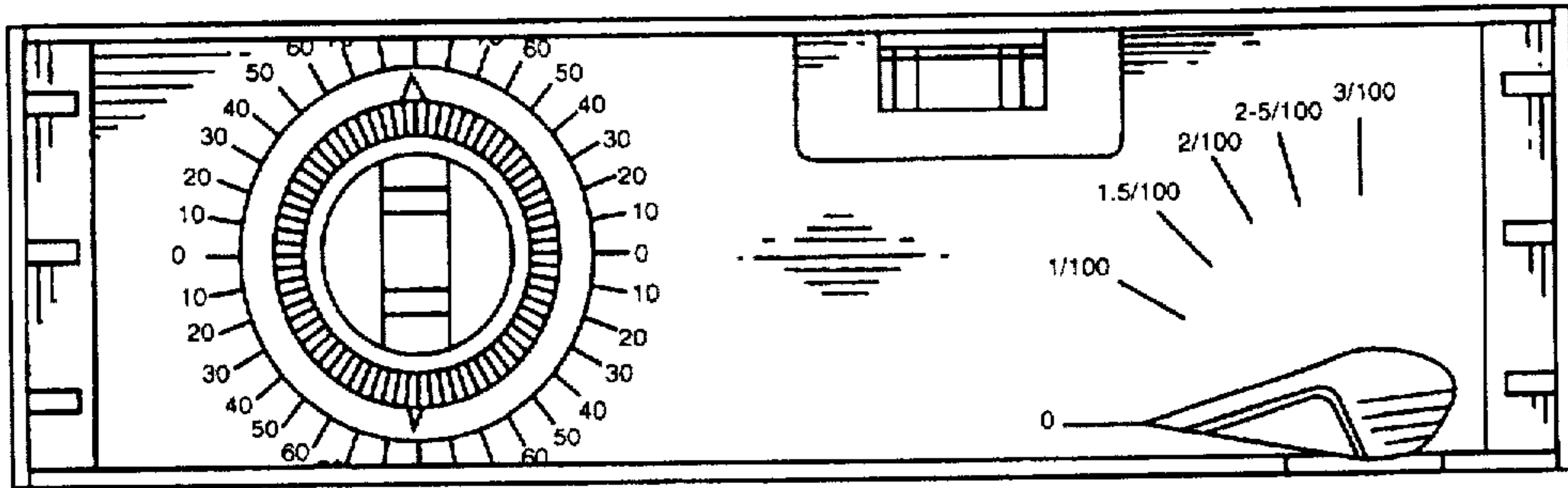


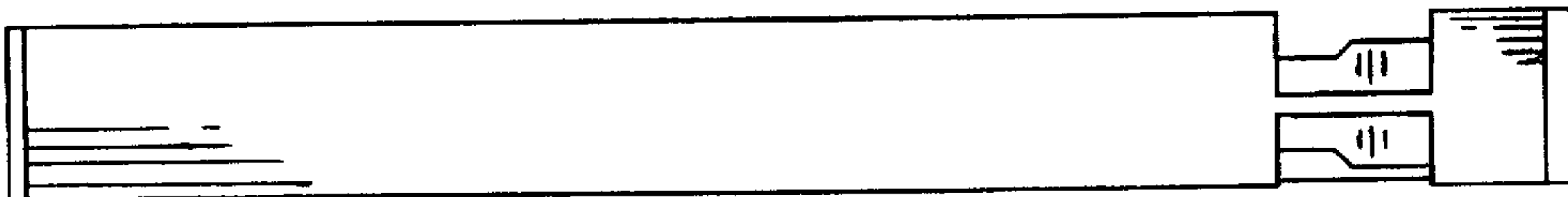
FIG. 1



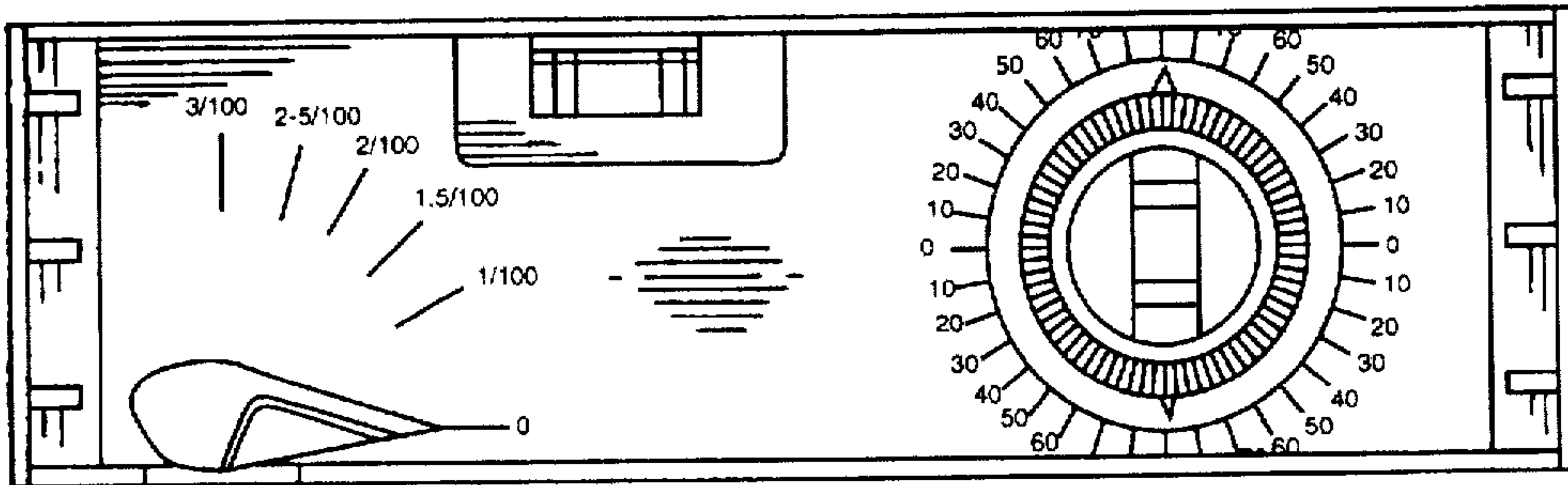
**FIG. 2**



**FIG. 3**



**FIG. 4**



**FIG. 5**

**FIG. 6**

