



US00D392195S

**United States Patent** [19]  
**Riley**

[11] **Patent Number: Des. 392,195**  
[45] **Date of Patent: \*\*Mar. 17, 1998**

- [54] **BEZEL AND CASING FOR A WATCH**
- [76] **Inventor: Judith Reichel Riley, 251 Beach St., Goshen, Conn. 06756**
- [\*\*] **Term: 14 Years**
- [21] **Appl. No.: 74,026**
- [22] **Filed: Jul. 23, 1997**
- [51] **LOC (6) Cl. .... 10-02**
- [52] **U.S. Cl. .... D10/30; D10/38**
- [58] **Field of Search .... D10/1-40, 122-132; 368/280-282, 276-277, 28-30, 285, 239-242, 82-84, 41-44**

- D. 382,492 8/1997 Houlihan ..... D10/30
- D. 382,815 8/1997 Riley ..... D10/30

**OTHER PUBLICATIONS**

*Jeweler's Circular Keystone* Jul. 1987 p. 21. Watches.

*Primary Examiner*—Nelson C. Holtje  
*Attorney, Agent, or Firm*—Paul R. Juhasz

[57] **CLAIM**

The ornamental design for a "bezel and casing for a watch", as shown and described.

**DESCRIPTION**

FIG. 1 is a left side elevational view of a "bezel and casing for a watch";  
 FIG. 2 is a top plan view thereof;  
 FIG. 3 is a right side elevational view thereof;  
 FIG. 4 is an end elevational view thereof;  
 FIG. 5 is other end elevational view thereof; and,  
 FIG. 6 is the bottom plan view thereof.

**1 Claim, 2 Drawing Sheets**

[56] **References Cited**  
**U.S. PATENT DOCUMENTS**

- D. 327,442 6/1992 Yamamoto ..... D10/38
- D. 336,439 6/1993 Krieger ..... D10/30
- D. 346,975 5/1994 Houlihan ..... D10/38
- D. 379,769 6/1997 Schoepfer ..... D10/39

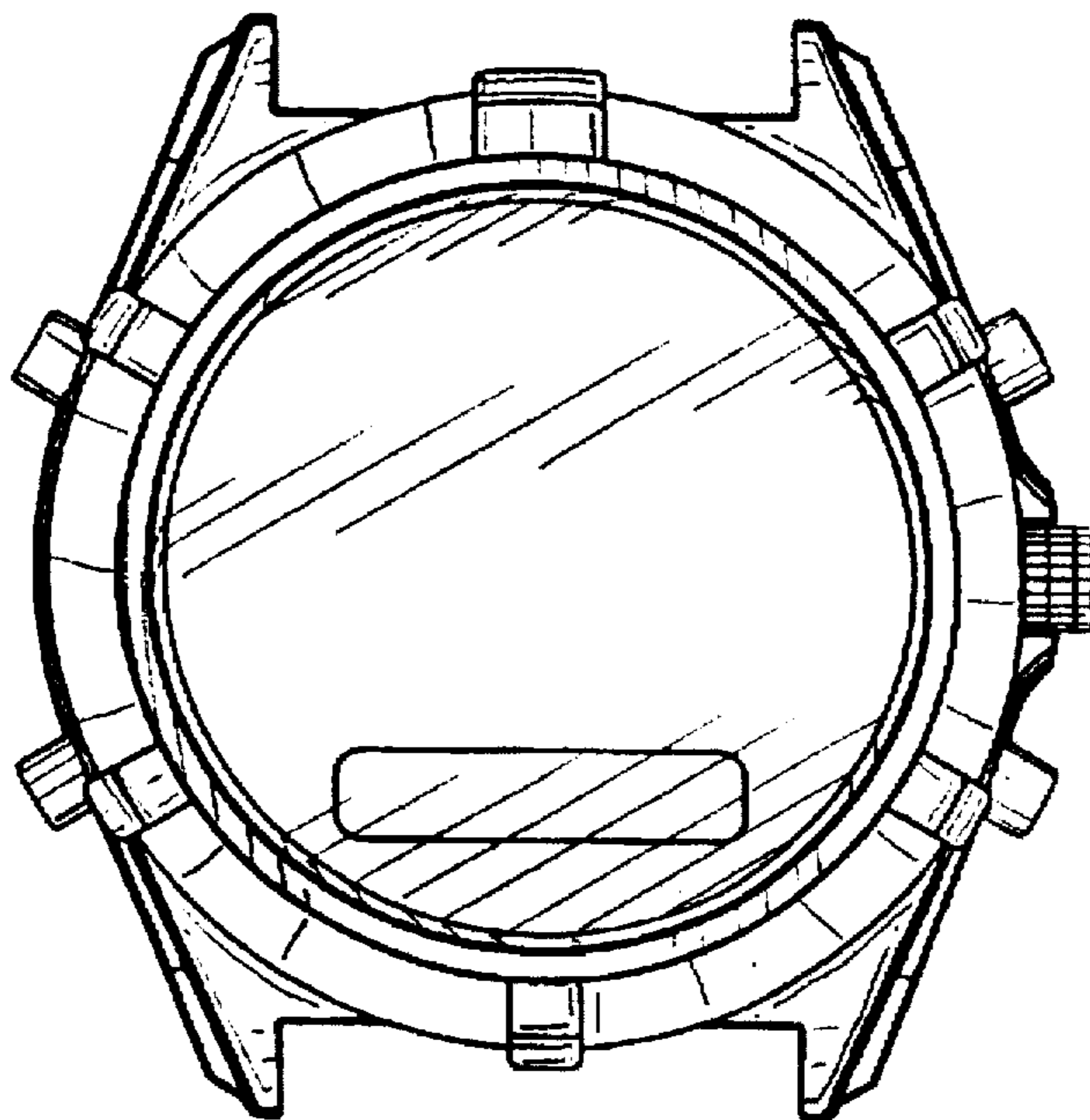


FIG. 1

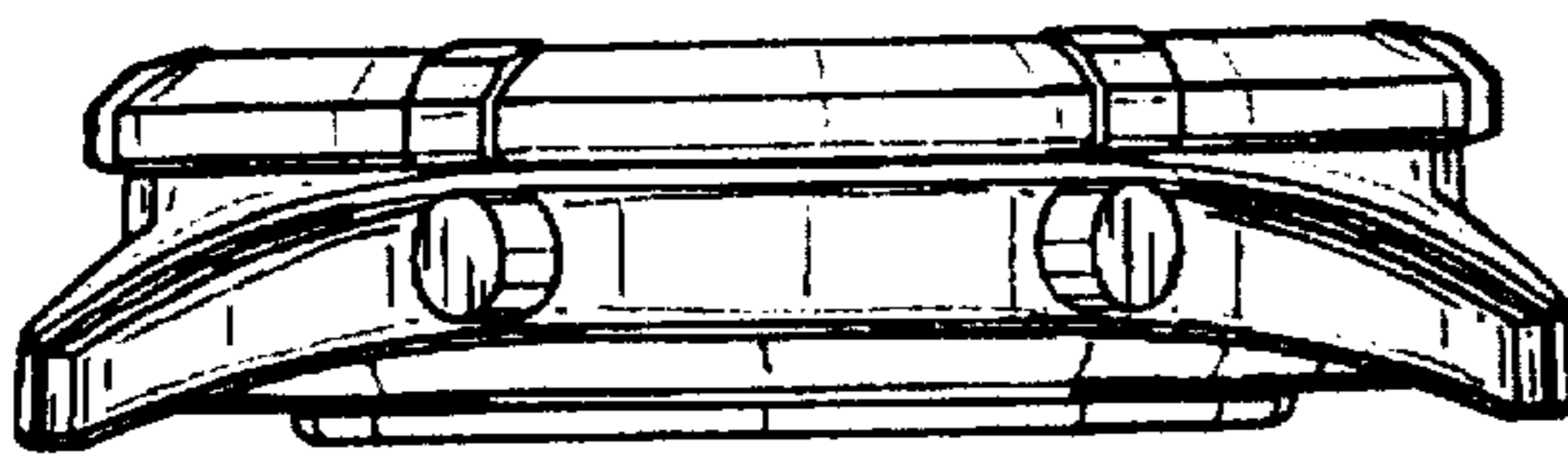


FIG. 2

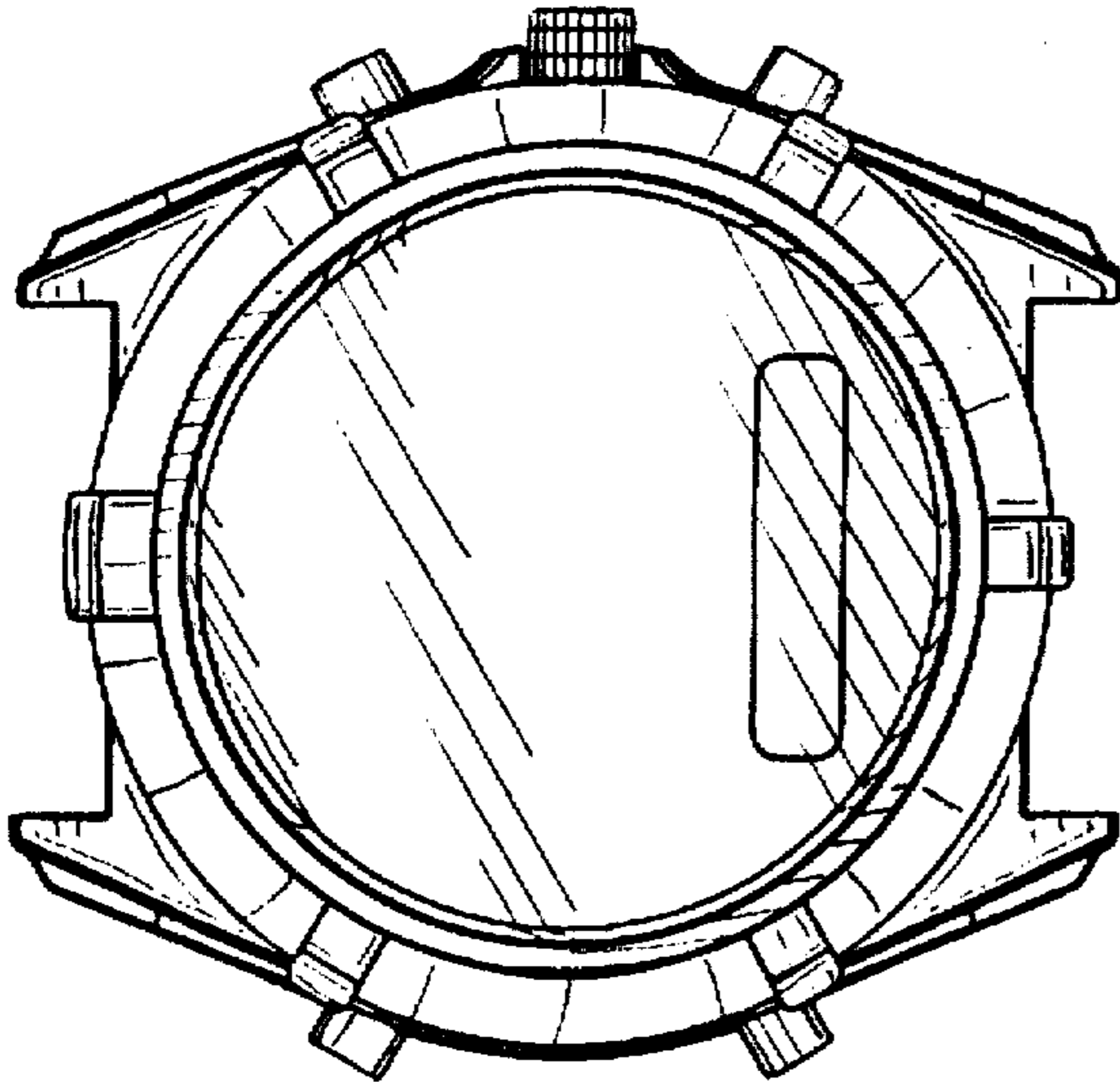


FIG. 3

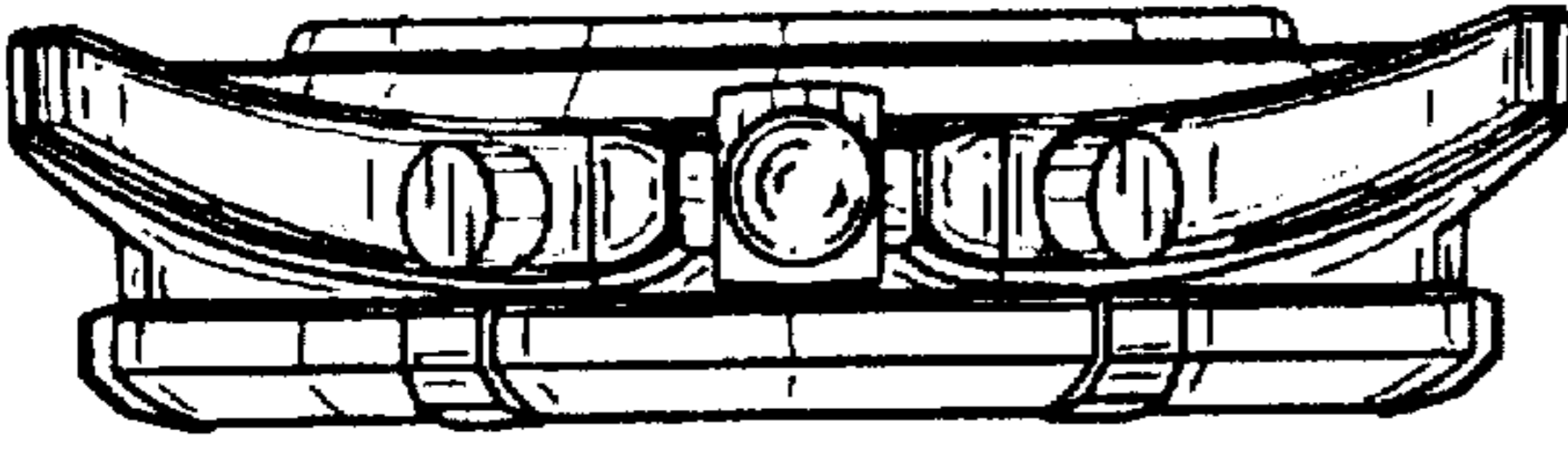


FIG. 4

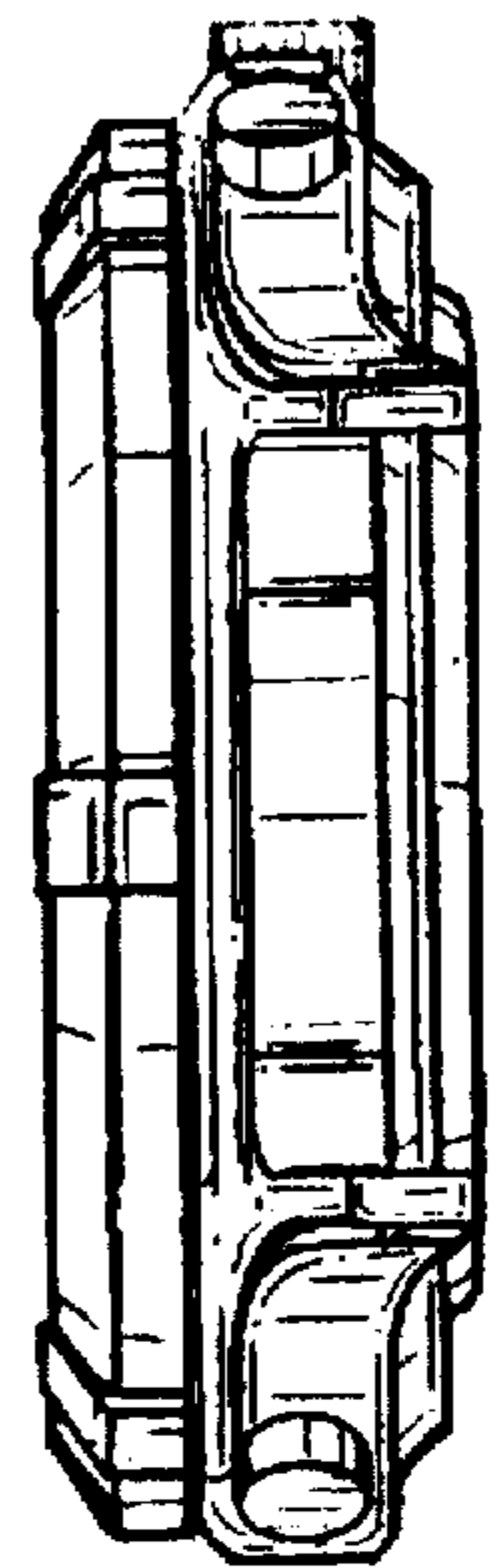
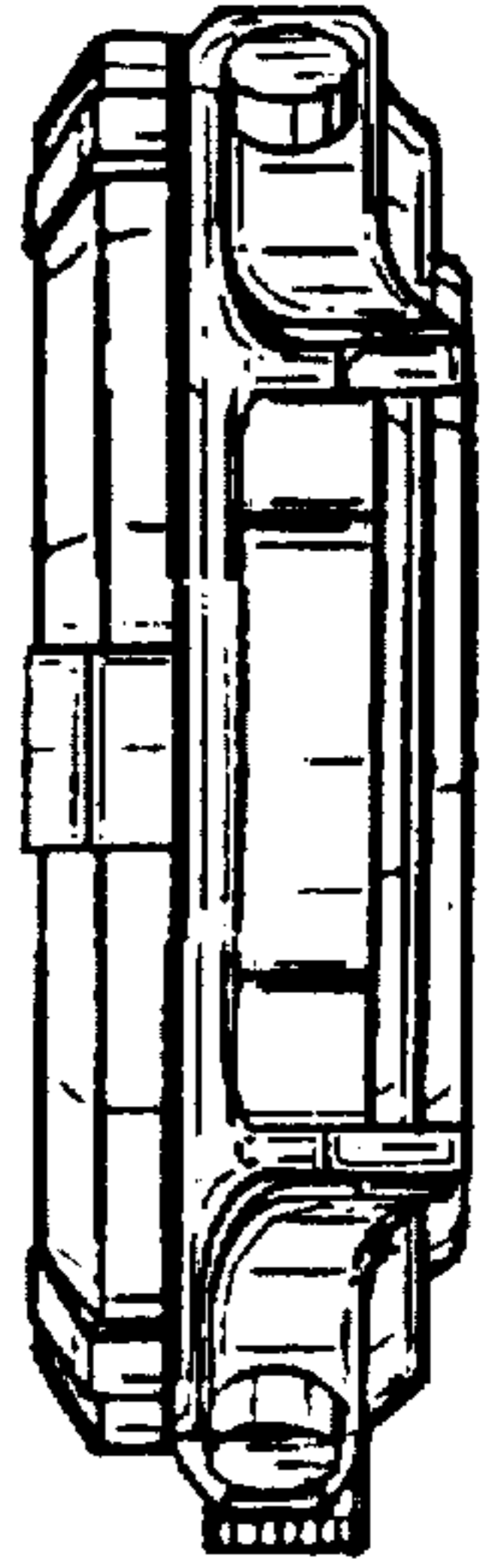


FIG. 5



*FIG. 6*

