



US00D392185S

United States Patent [19]
Husted

[11] **Patent Number:** **Des. 392,185**
[45] **Date of Patent:** ****Mar. 17, 1998**

[54] **JEWELRY BOX**

[76] **Inventor:** **Wayne D. Husted**, 73 California Ave.,
Mill Valley, Calif. 94911

[**] **Term:** **14 Years**

[21] **Appl. No.:** **70,259**

[22] **Filed:** **May 1, 1997**

[51] **LOC (6) Cl.** **09-07**

[52] **U.S. Cl.** **D9/418; D9/422**

[58] **Field of Search** **D9/418, 430, 431,**
D9/414, 422; 206/6.1, 566, 775-778, 823;
229/111-125, 116, 162; D3/903; 224/903

[56] **References Cited**

U.S. PATENT DOCUMENTS

- D. 197,252 12/1963 Spears D3/903 X
- D. 249,240 9/1978 Klitzner D3/903 X
- D. 343,790 2/1994 Mermelstein D9/430
- D. 373,528 9/1996 Wei D9/431

- D. 381,198 7/1997 Just D9/903 X
- 3,178,227 4/1965 Snyder 229/113 X
- 4,101,023 7/1978 Schuander 206/566 X
- 5,547,072 8/1996 Kaiser 206/6.1 X

Primary Examiner—Prabhakar G. Deshmukh
Attorney, Agent, or Firm—Thomas V. Malorzo

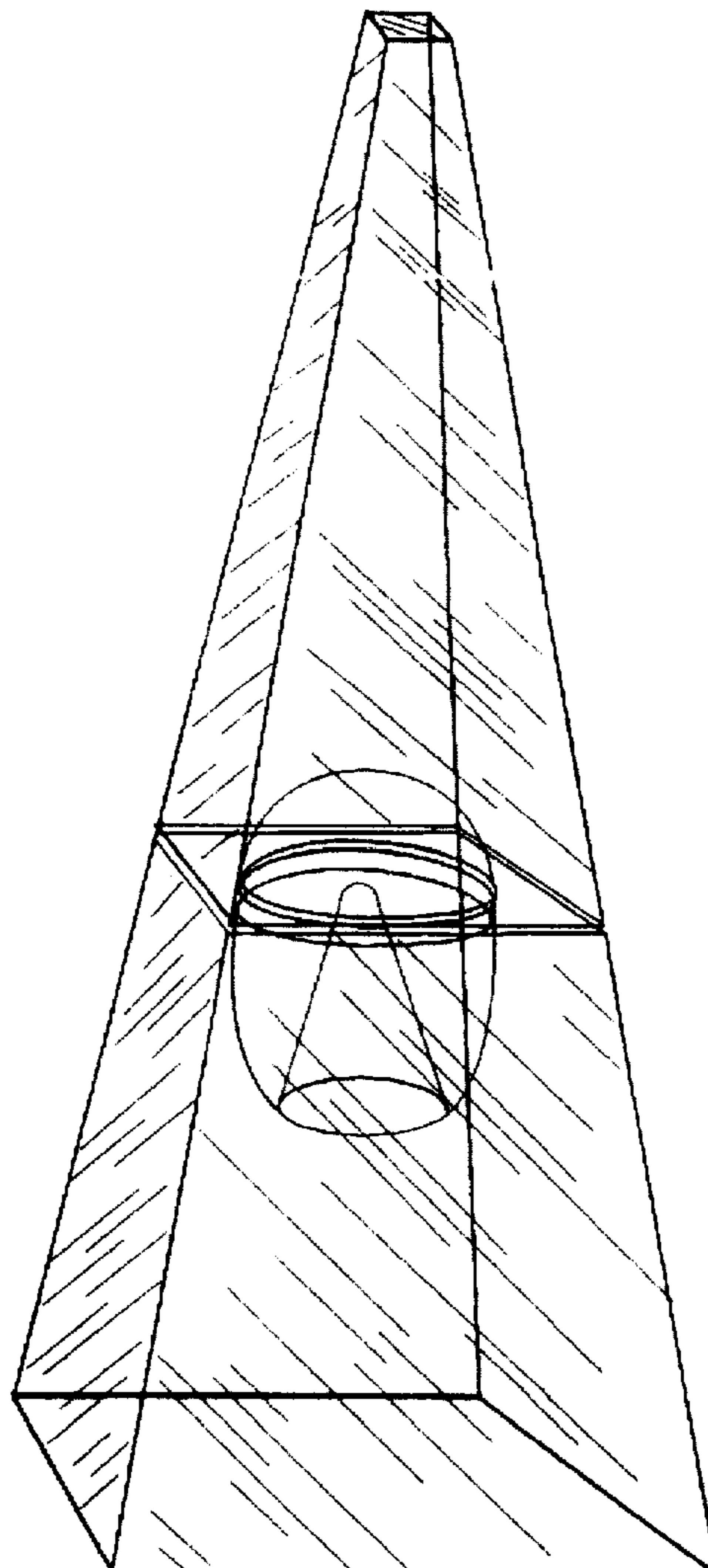
[57] **CLAIM**

The ornamental design for a jewelry box, as shown and described.

DESCRIPTION

FIG. 1 is a perspective view of the assembled box showing my new design;
 FIG. 2 is a side elevation view with the top part seated onto the bottom part of the jewelry box thereof;
 FIG. 3 is an exploded view showing the top section as removed from the bottom section thereof; and,
 FIG. 4 is a top view of the assembled box thereof.

1 Claim, 1 Drawing Sheet



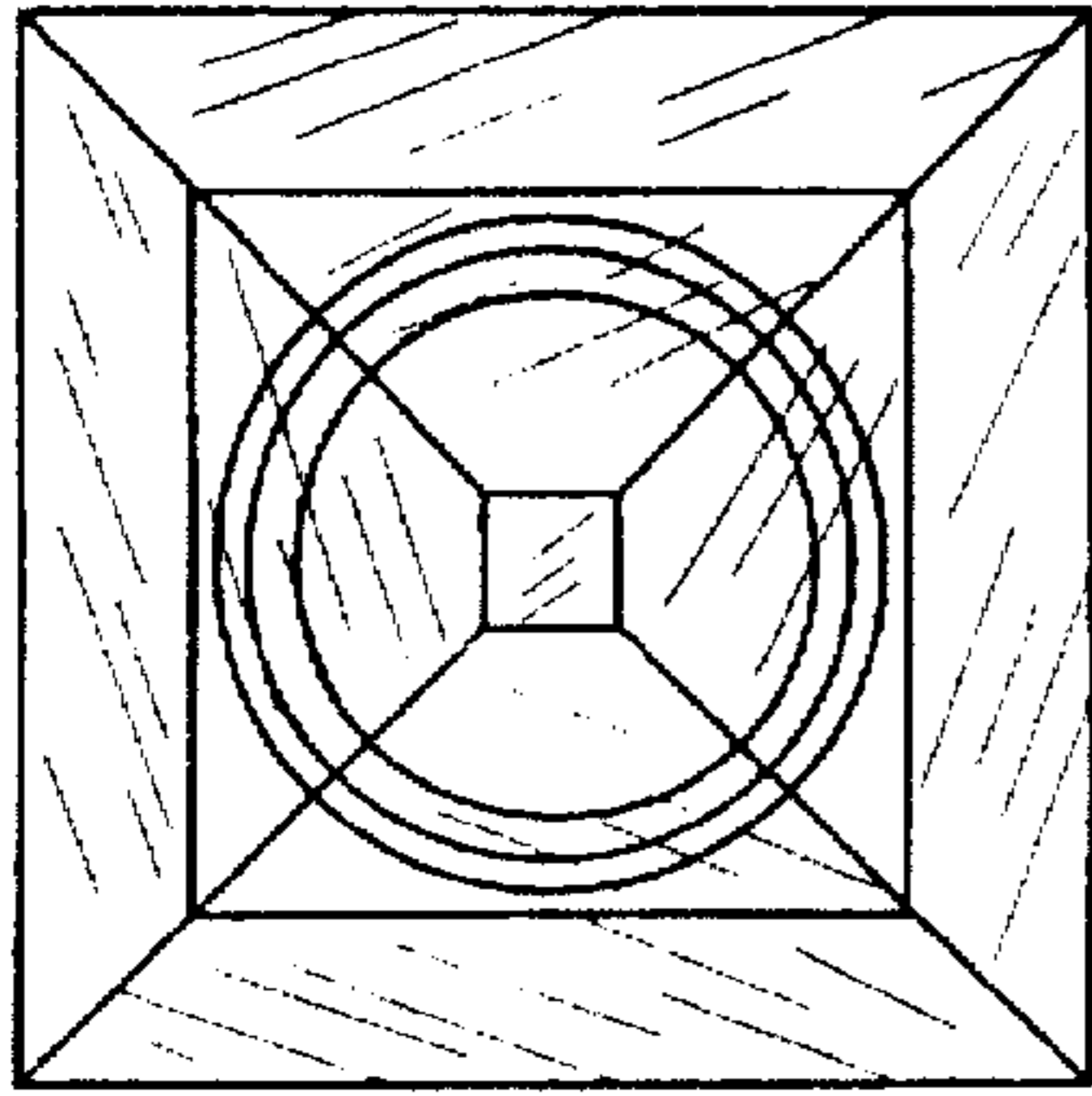


FIG 4

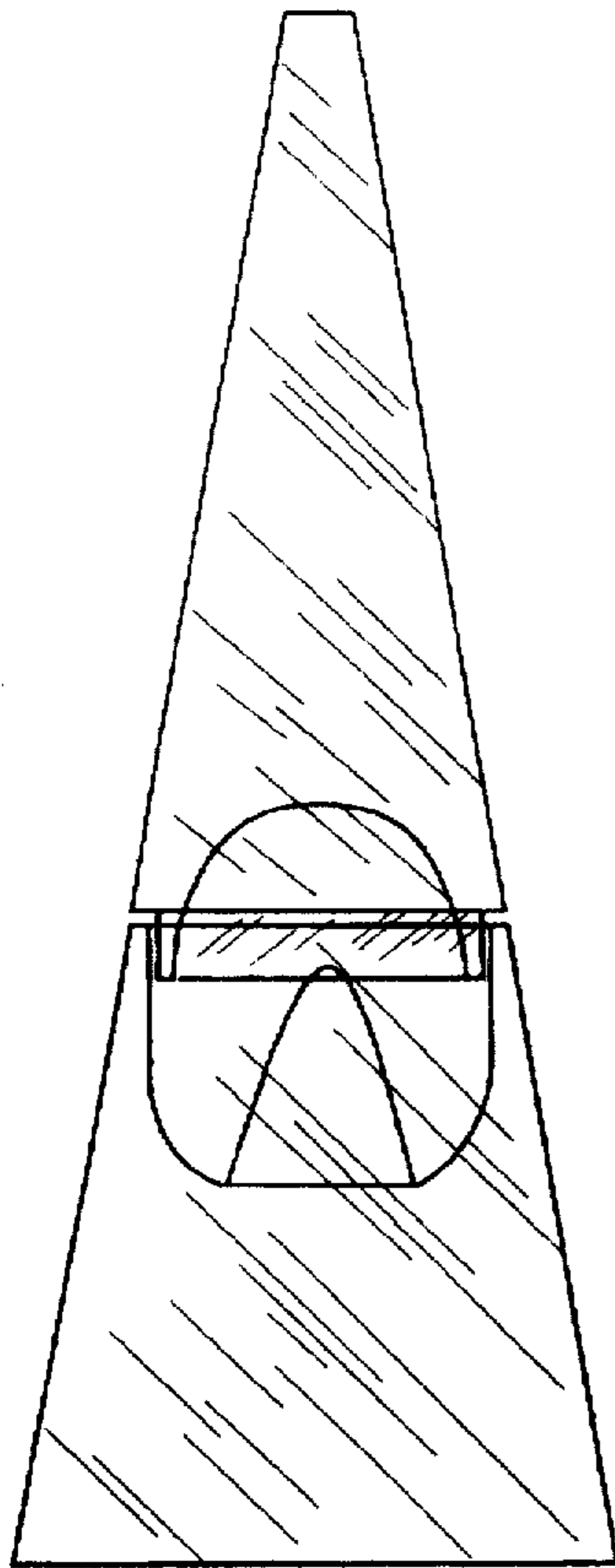


FIG 2

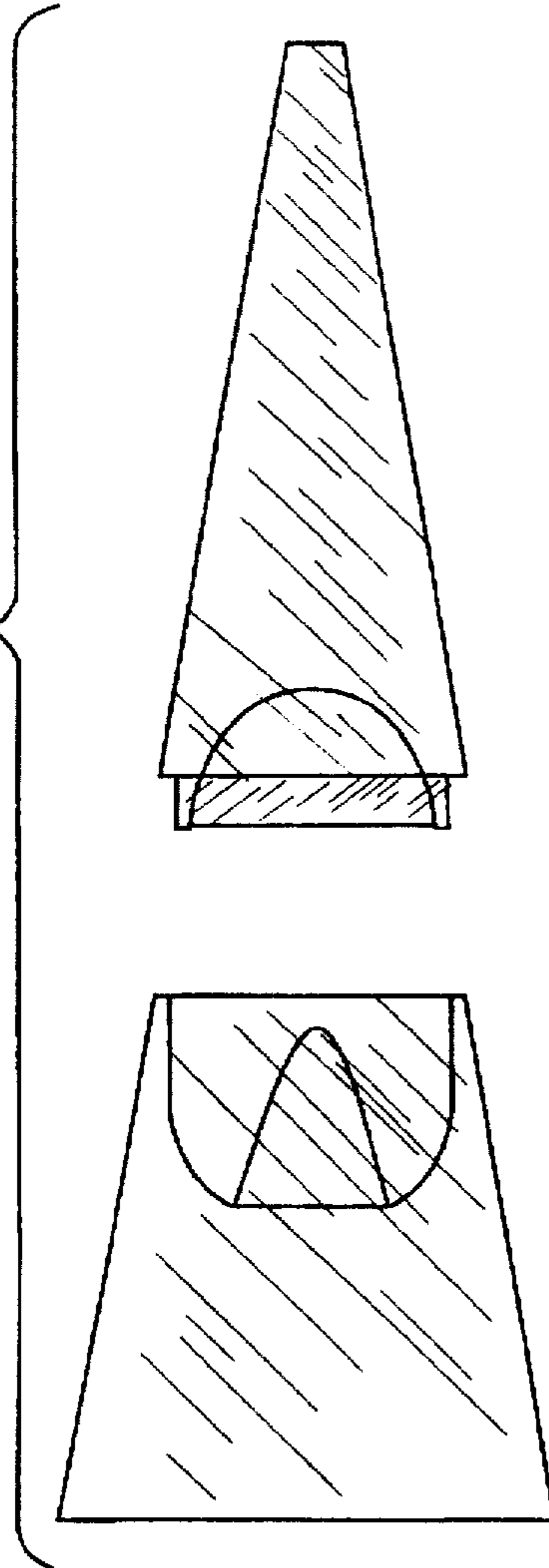


FIG 3

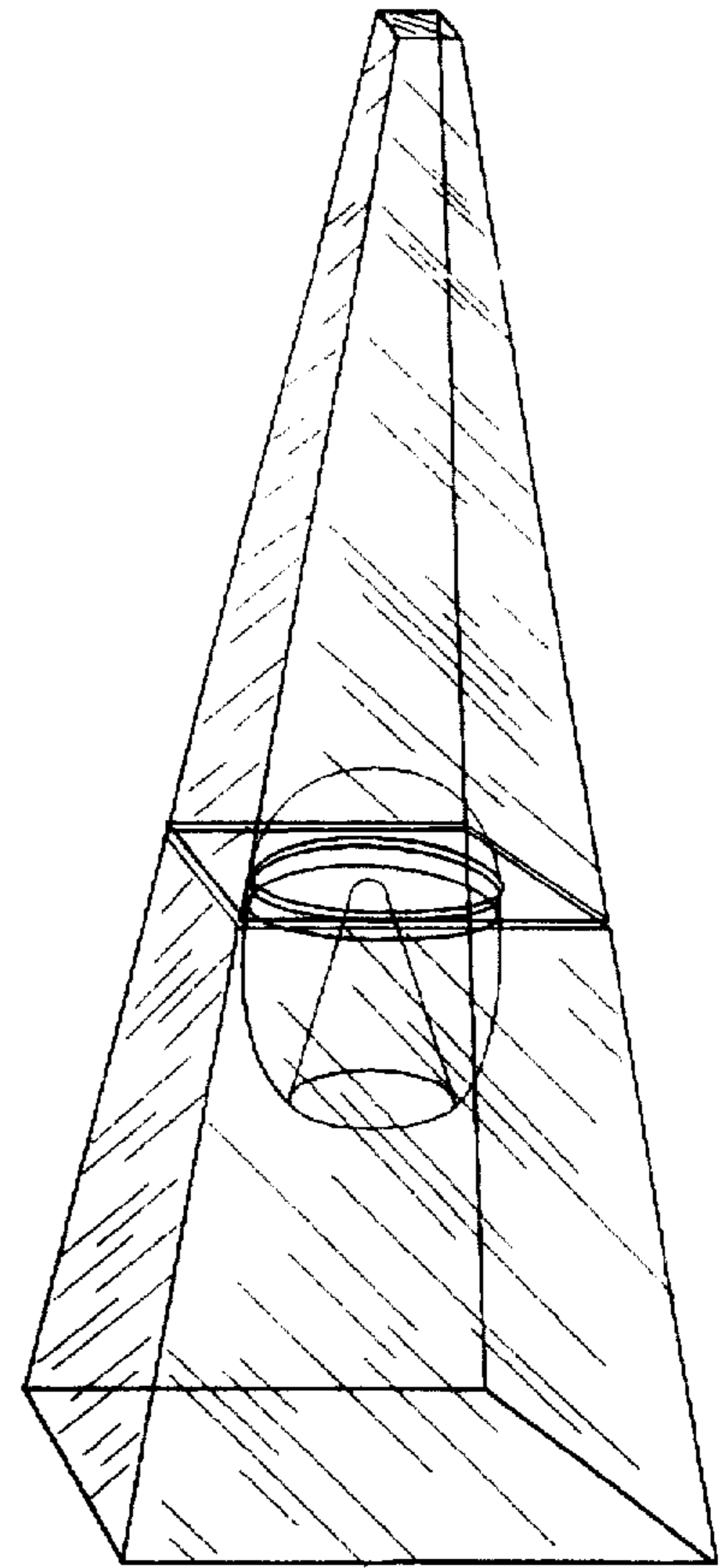


FIG 1