



US00D392182S

# United States Patent [19]

Taylor et al.

[11] Patent Number: **Des. 392,182**

[45] Date of Patent: **\*\*Mar. 17, 1998**

[54] **ROTARY WINDOW OPERATOR**

[75] Inventors: **Nigel Alan Colebrooke Taylor; Philip James Walters**, both of Wellington, New Zealand

[73] Assignee: **Interlock Industries Limited**, New Zealand

[\*\*] Term: **14 Years**

[21] Appl. No.: **23,839**

[22] Filed: **Jun. 1, 1994**

[30] **Foreign Application Priority Data**

Dec. 3, 1993 [NZ] New Zealand ..... 25614

[51] LOC (6) Cl. .... **08-09**

[52] U.S. Cl. .... **D8/400**

[58] Field of Search ..... D8/400, 499, 309; 49/324, 325, 339, 341, 342

[56] **References Cited**

**U.S. PATENT DOCUMENTS**

D. 182,080 2/1958 Morgan ..... D8/400

|            |        |                |       |          |
|------------|--------|----------------|-------|----------|
| D. 198,202 | 5/1964 | Morgan         | ..... | D8/400   |
| 2,899,195  | 8/1959 | Ahlgren        | ..... | 49/324   |
| 3,103,351  | 9/1963 | Ahlgren        | ..... | 49/339 X |
| 3,638,358  | 2/1972 | Mason          | ..... | 49/325   |
| 4,521,993  | 6/1985 | Tacheny et al. | ..... | 49/325   |
| 4,756,206  | 7/1988 | Kao            | ..... | 49/341 X |
| 5,406,750  | 4/1995 | Lindgren       | ..... | 49/325   |

*Primary Examiner*—Ted Shooman  
*Assistant Examiner*—C. Tuttle  
*Attorney, Agent, or Firm*—Blakely Sokoloff Taylor & Zafman

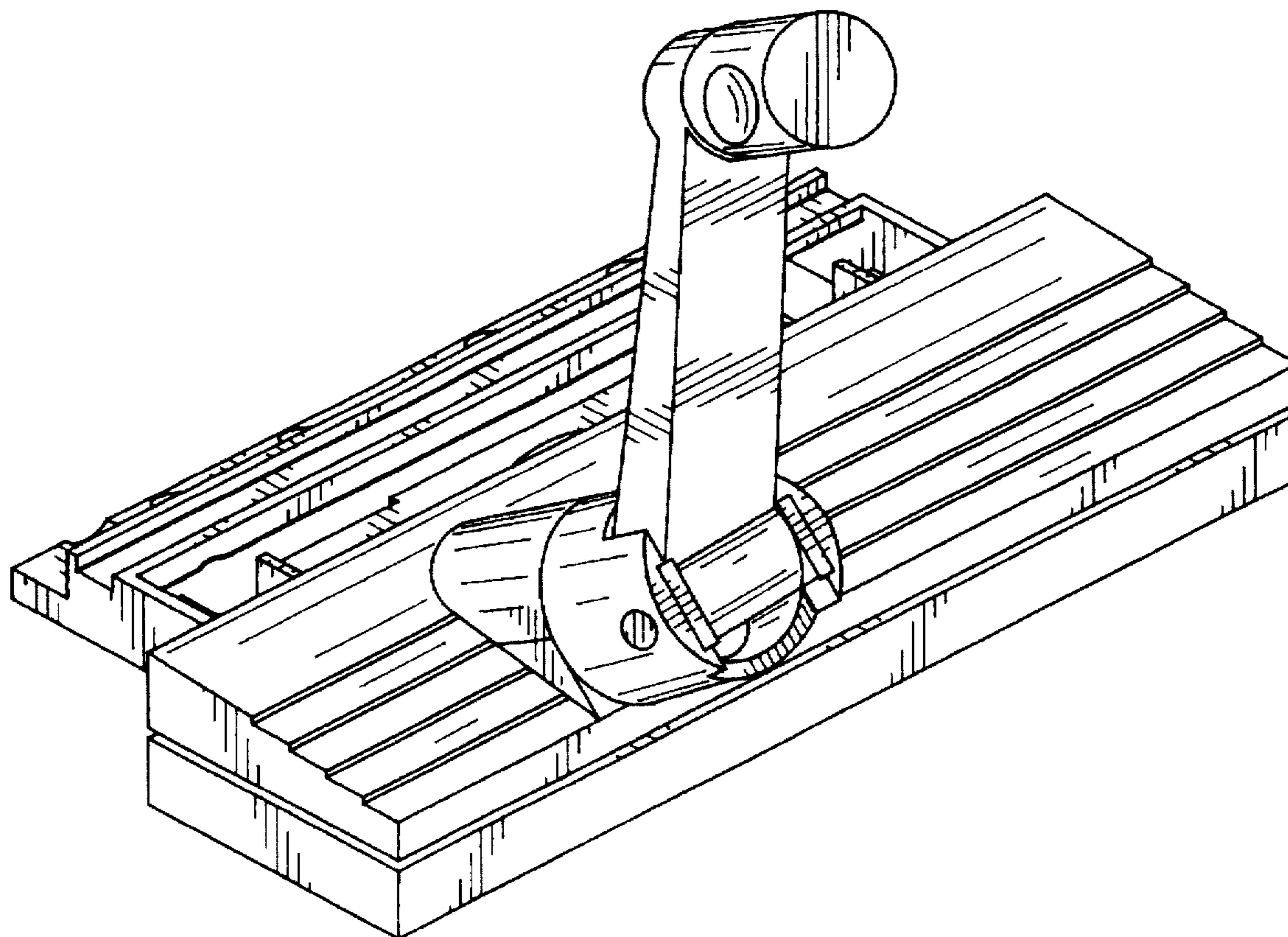
[57] **CLAIM**

The ornamental design for a rotary window operator, as shown and described.

**DESCRIPTION**

FIG. 1 is a perspective view showing our new design of a rotary window operator;  
FIG. 2 is a left side elevational view thereof, the side opposite being a mirror image of the side shown except for the oval concavity on the handle;  
FIG. 3 is a top plan view thereof; and,  
FIG. 4 is a front elevational view thereof.

**1 Claim, 2 Drawing Sheets**



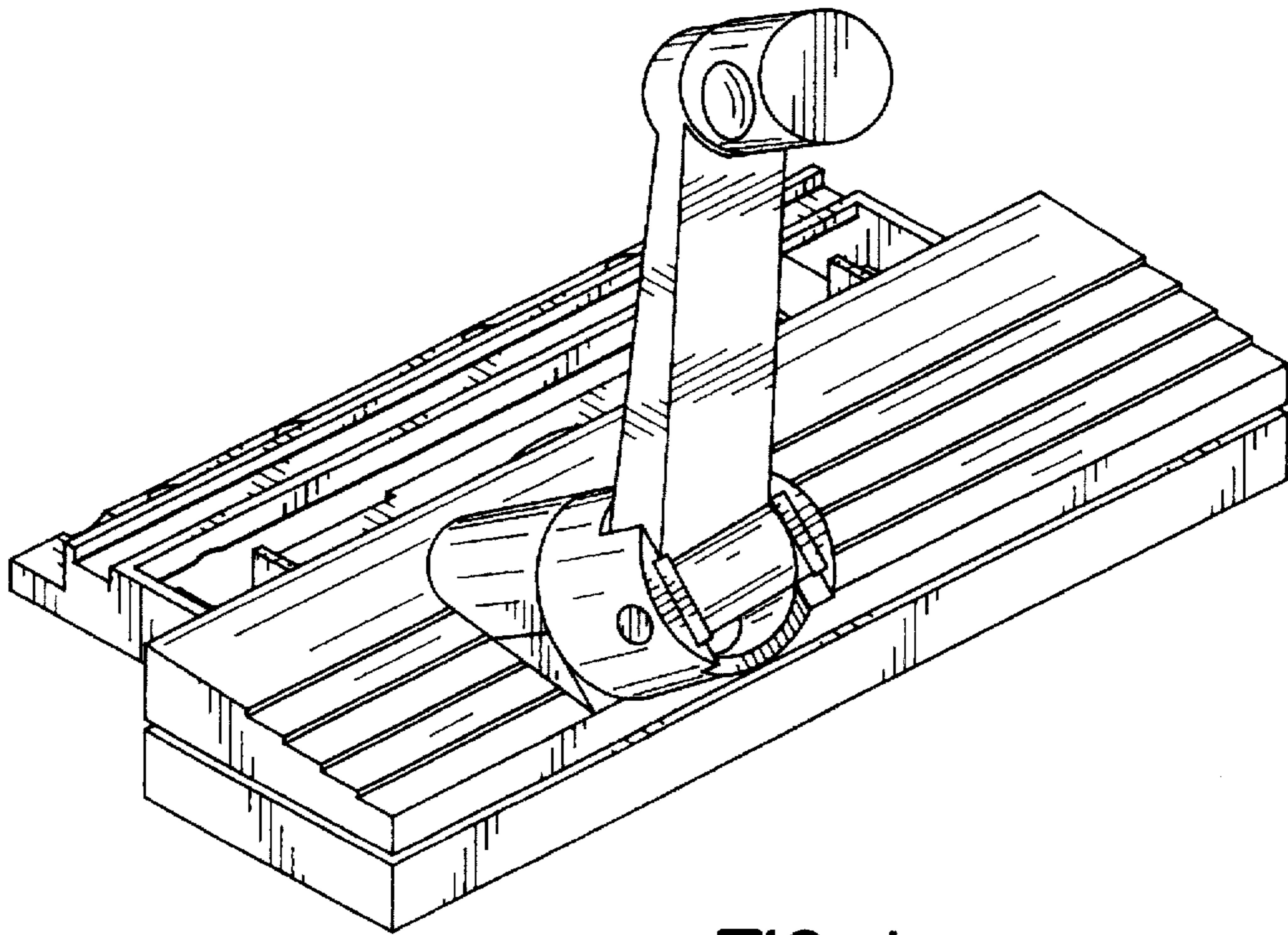


FIG. 1

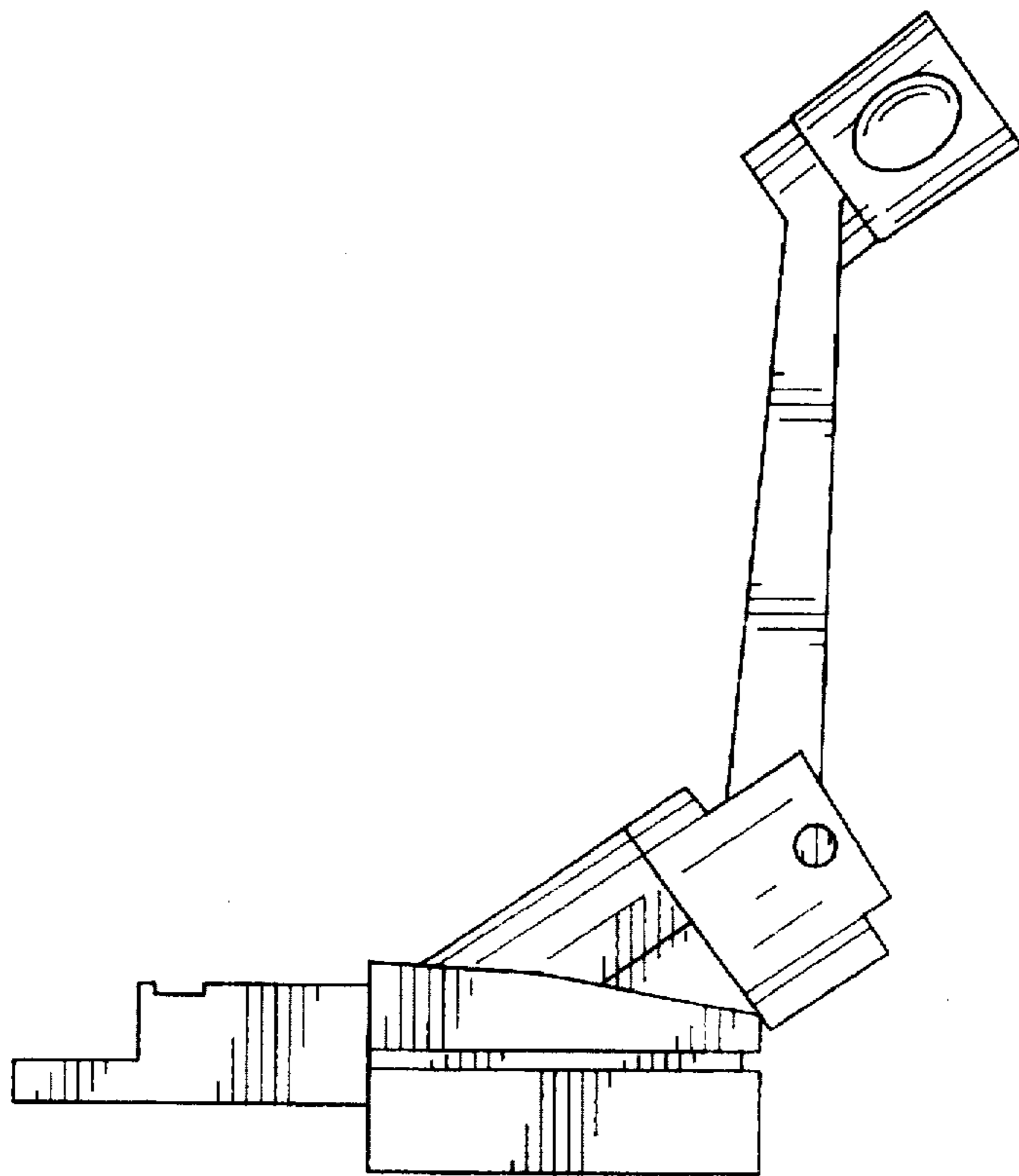


FIG. 2

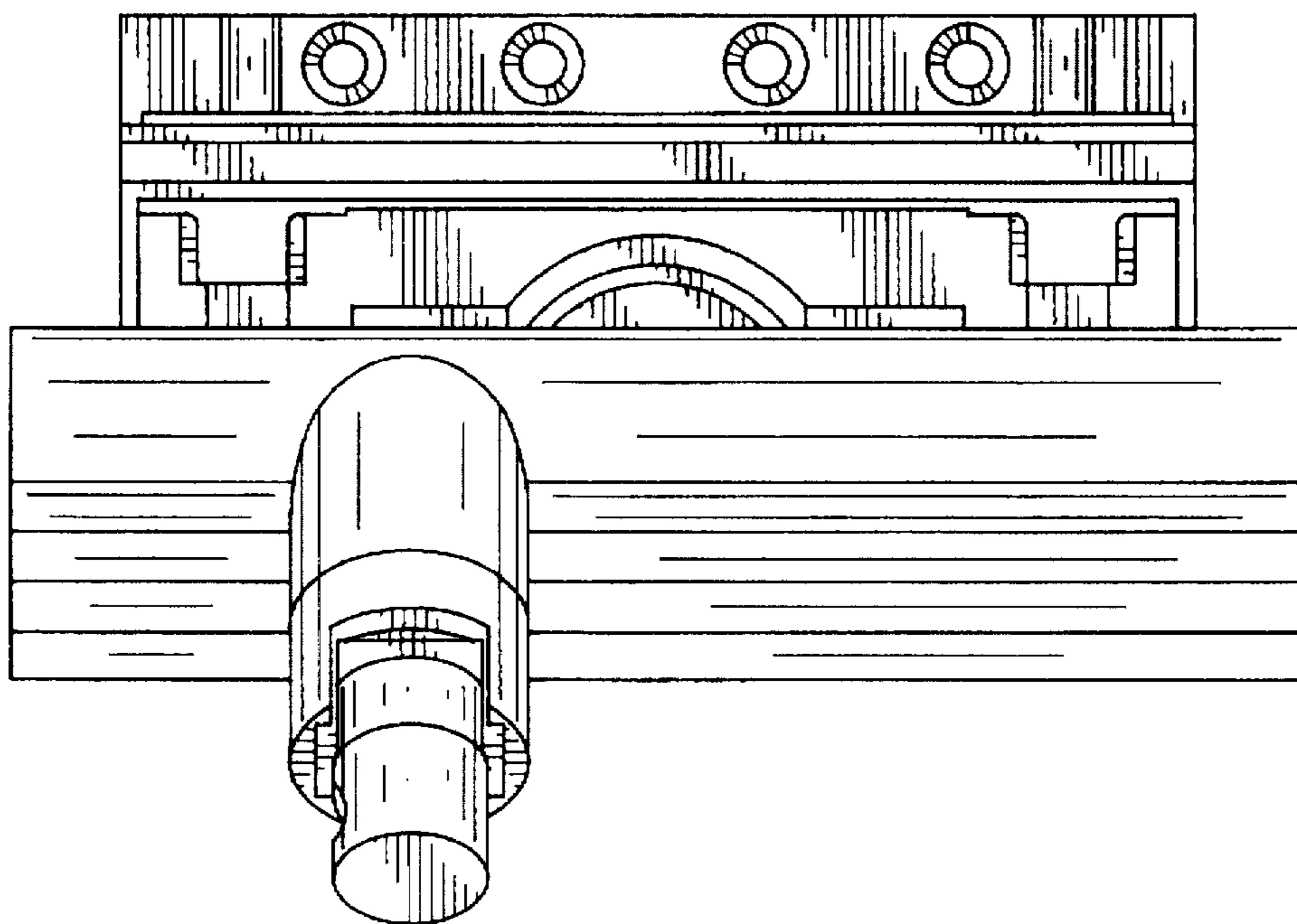


FIG. 3

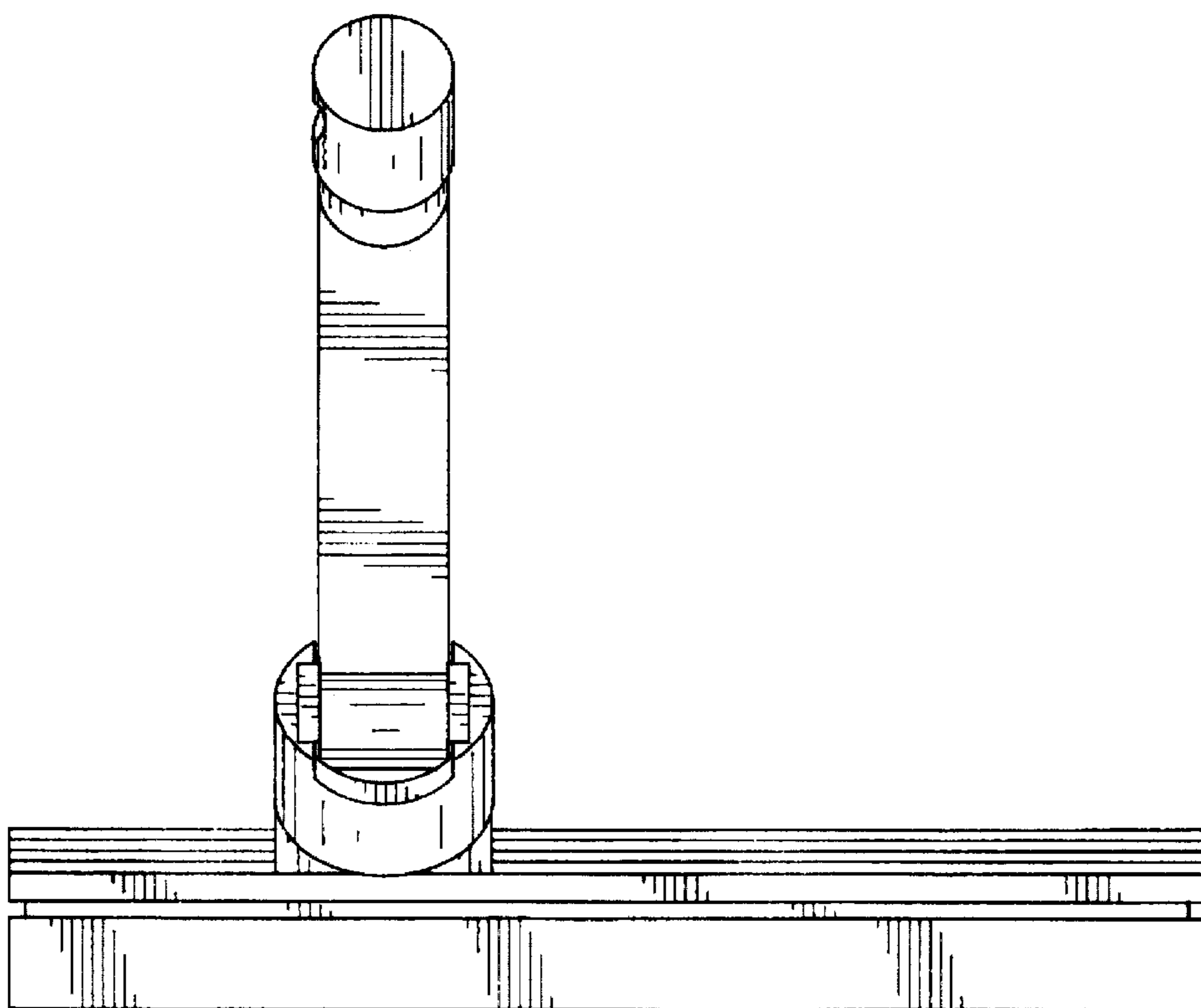


FIG. 4