



US00D392180S

**United States Patent** [19]  
**Bilow**

[11] **Patent Number: Des. 392,180**  
[45] **Date of Patent: \*\*Mar. 17, 1998**

[54] **CHAIR CLIP**  
[76] **Inventor: Melvin Bilow, 115 S. Lamer St.,  
Burbank, Calif. 91506**  
[\*\*] **Term: 14 Years**  
[21] **Appl. No.: 37,689**  
[22] **Filed: Apr. 18, 1995**  
[51] **LOC (6) Cl. .... 08-08**  
[52] **U.S. Cl. .... D8/395; D8/382**  
[58] **Field of Search .... D8/395, 396, 382;  
D32/61; 24/336, 338, 339, 545, 561; 297/463.1,  
248; 248/214, 74.2**

3,521,332 7/1970 Kramer ..... 248/74.2 X  
3,669,491 6/1972 Weslock ..... 297/248  
3,825,300 7/1974 Lieberman et al. .... 297/248  
5,473,796 12/1995 Fusillo ..... 24/545 X

*Primary Examiner—Paula A. Mortimer*

[57] **CLAIM**

The ornamental design for a chair clip, as shown and described.

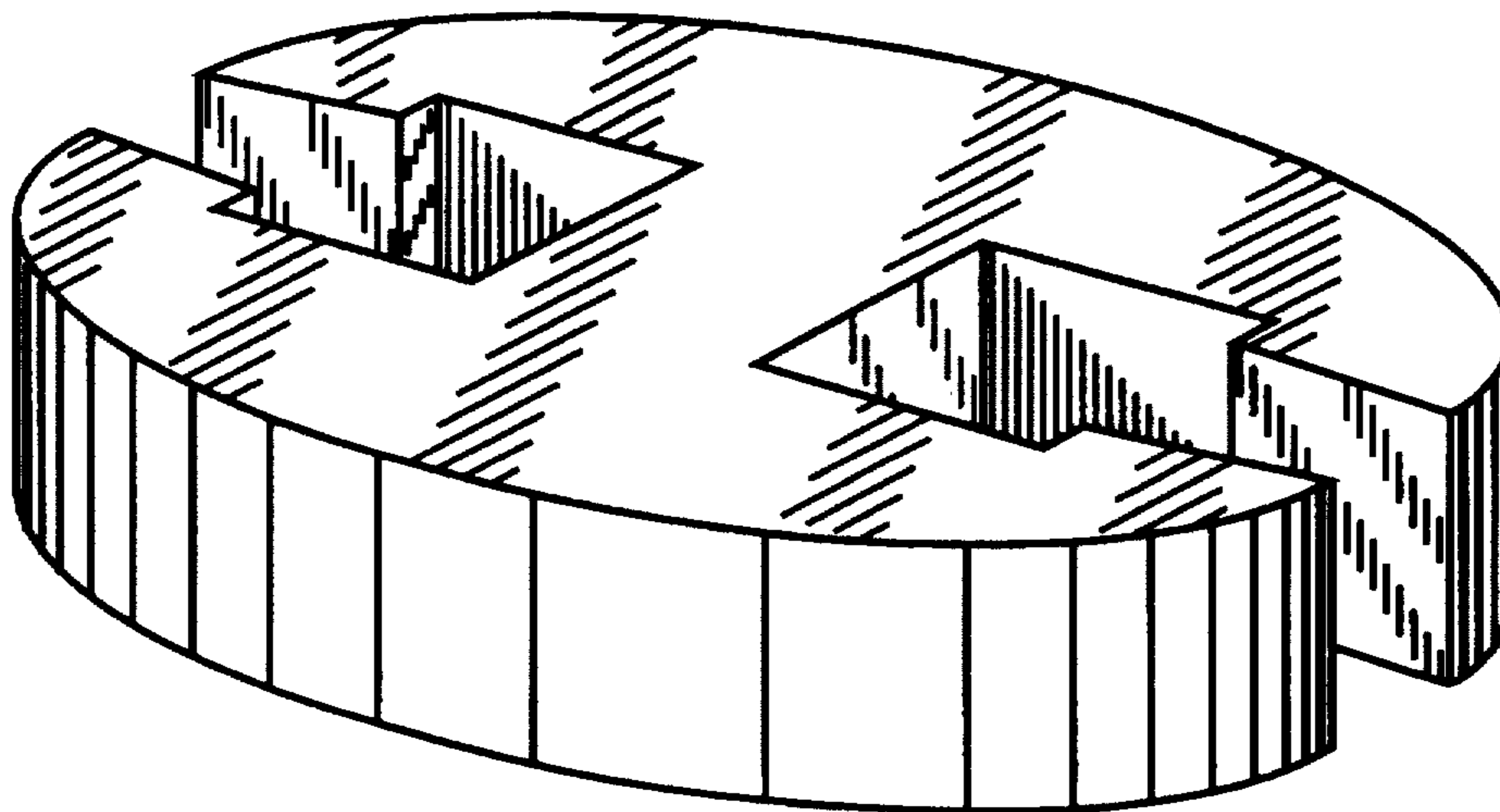
**DESCRIPTION**

FIG. 1 is a front perspective view of a chair clip showing my new design;  
FIG. 2 is a front perspective view thereof;  
FIG. 3 is a top plan view thereof;  
FIG. 4 is a front elevational view thereof;  
FIG. 5 is a bottom plan view thereof; and,  
FIG. 6 is an end elevational view thereof, the opposite end is a mirror image.  
The broken line showing of the chairs in FIG. 1 is for illustrative purposes only and forms no part of the claimed design.

[56] **References Cited**  
**U.S. PATENT DOCUMENTS**

D. 293,206 12/1987 Beaty et al. .... D8/396 X  
D. 363,658 10/1995 Barile ..... D8/382  
2,988,314 7/1961 Urich ..... 248/214  
3,019,500 2/1962 Duffin et al. .... 24/561  
3,043,902 7/1962 Klein ..... 24/561 X  
3,162,484 12/1964 Kieffman ..... 297/248

**1 Claim, 2 Drawing Sheets**



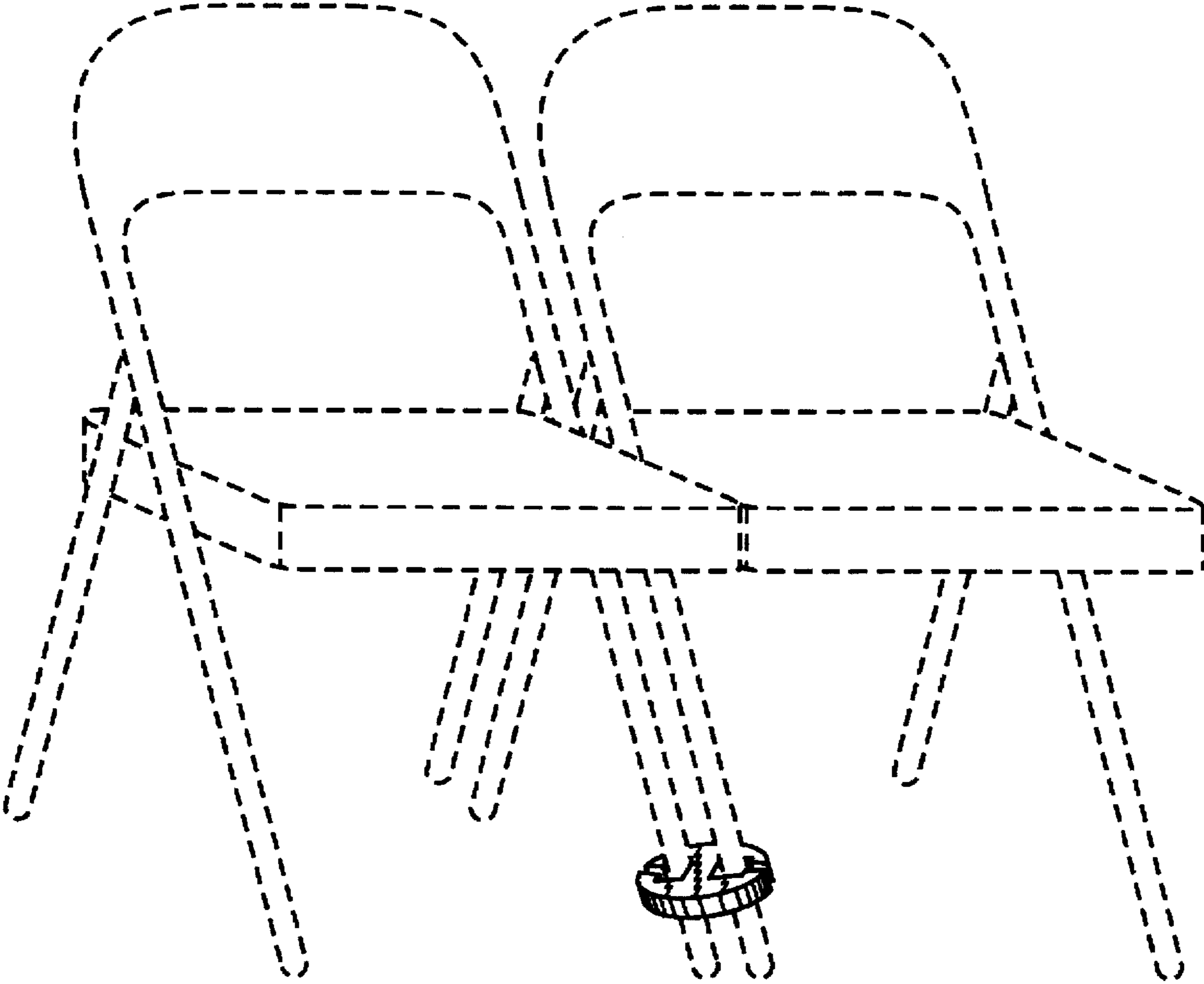


FIG. 1

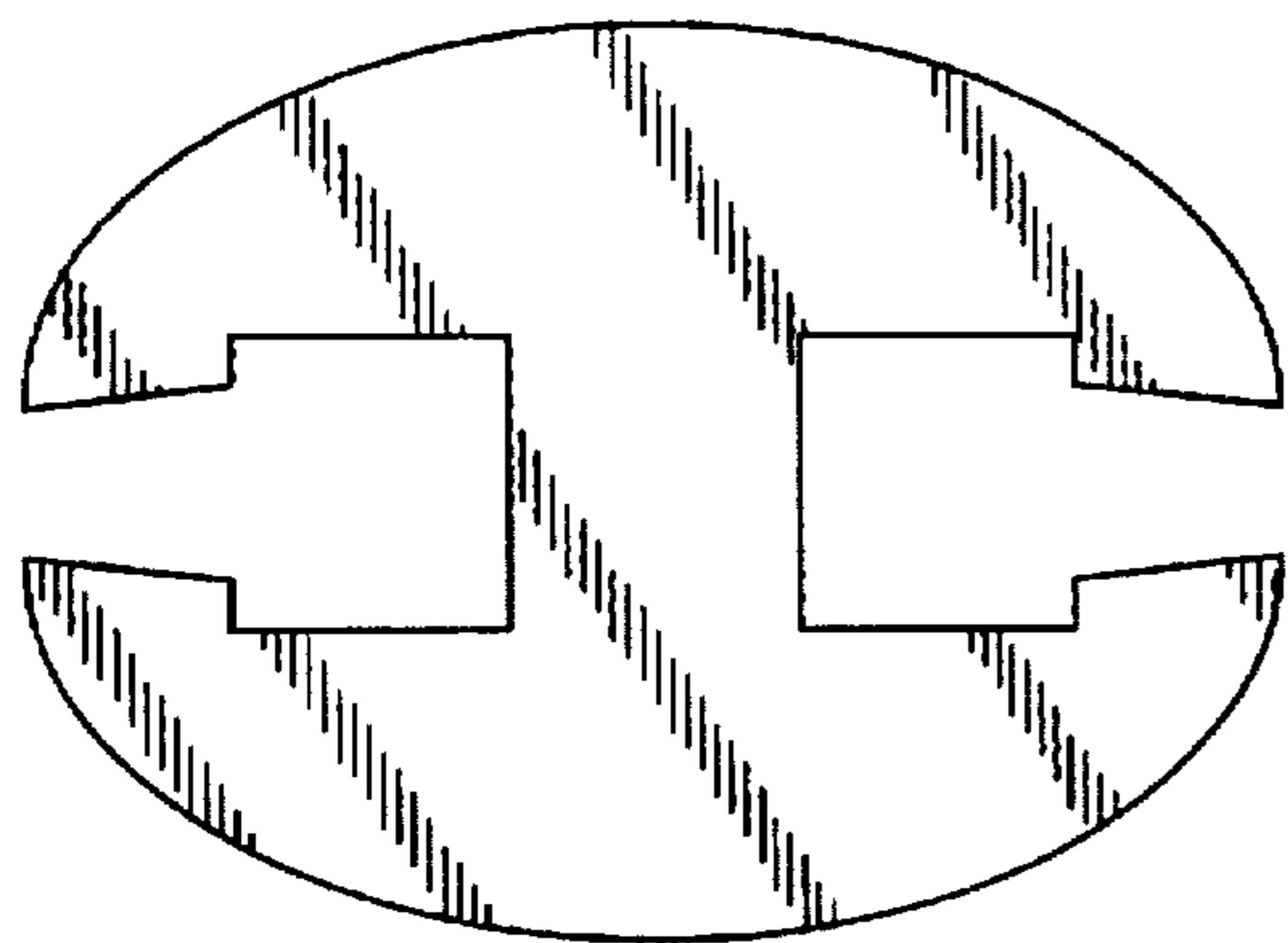


FIG. 3

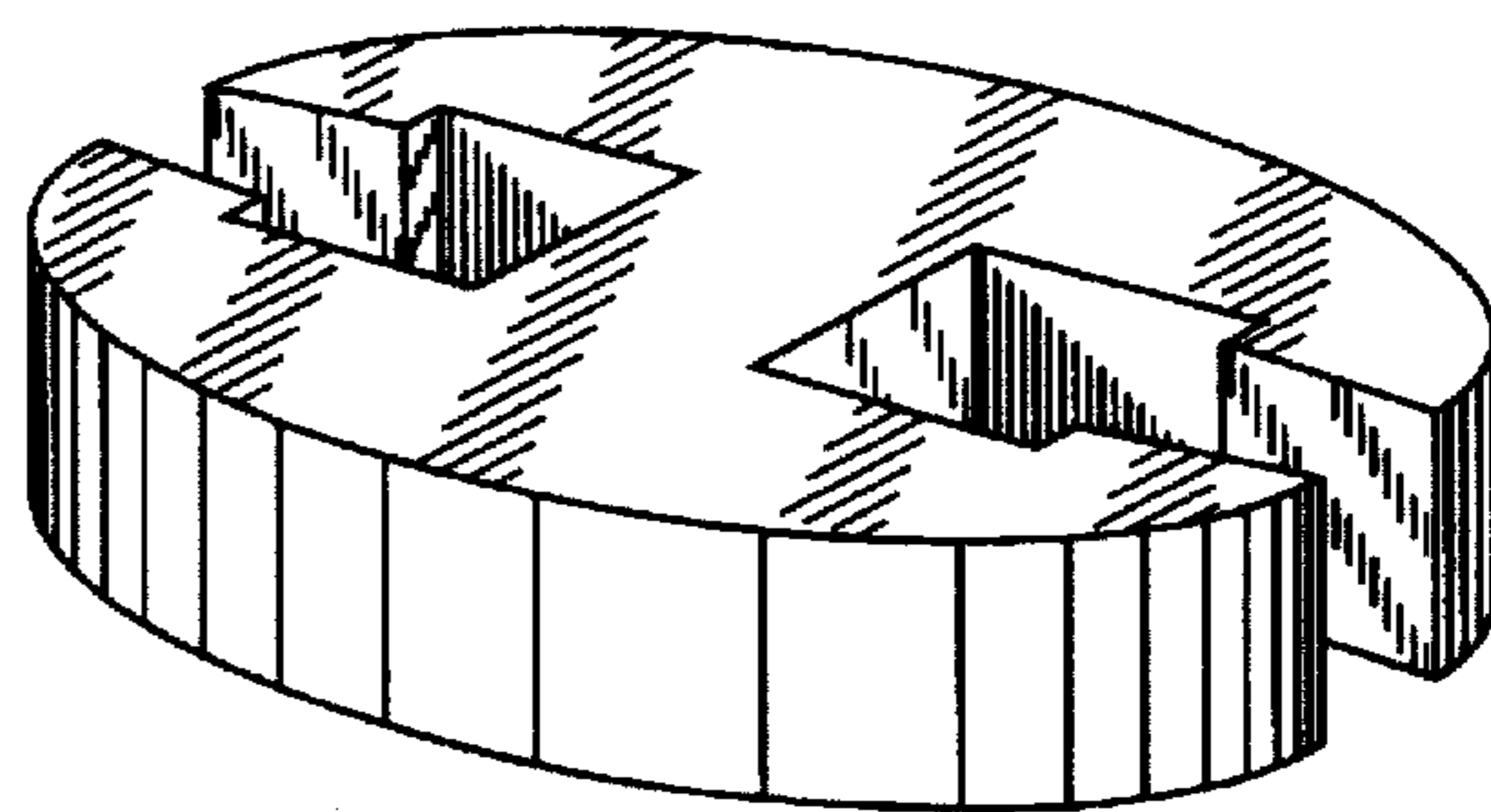


FIG. 2

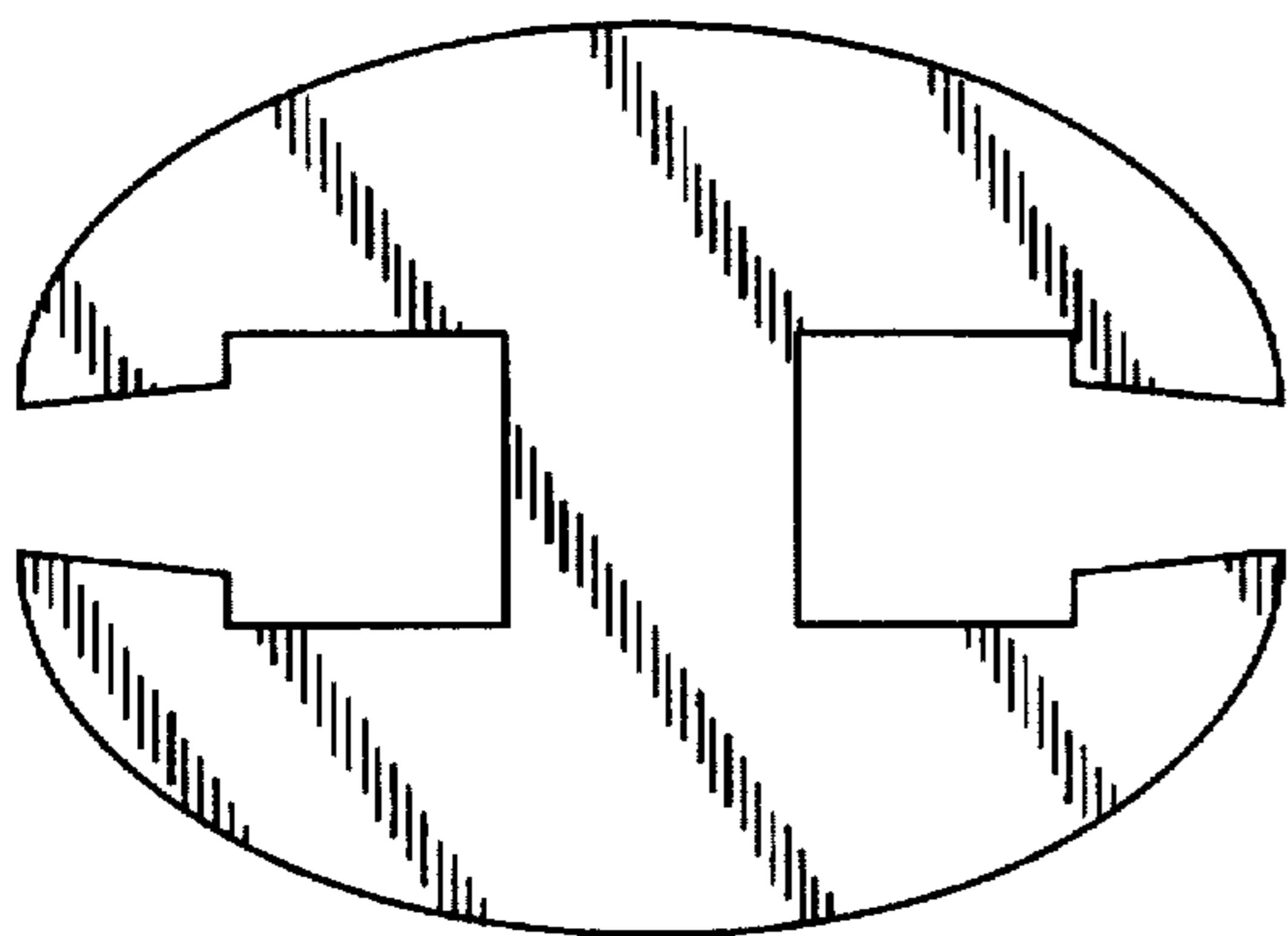


FIG. 5



FIG. 4

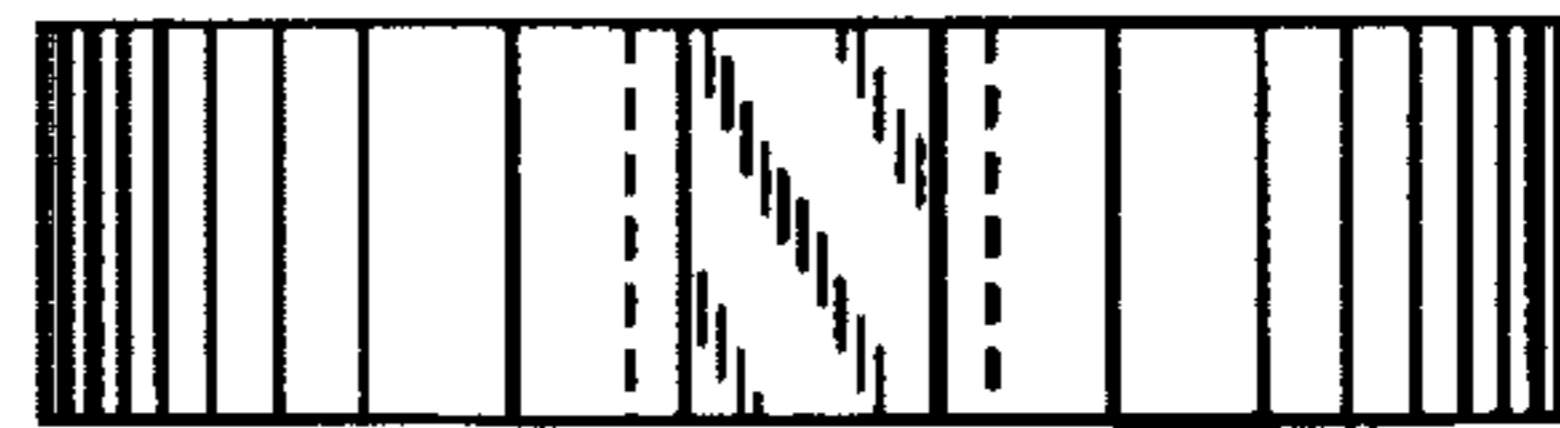


FIG. 6