



US00D392178S

United States Patent [19]
Hirano

[11] **Patent Number: Des. 392,178**
[45] **Date of Patent: **Mar. 17, 1998**

- [54] **PARTITION LOCKING METAL ATTACHMENT FOR WIRE GAUZE**
- [75] **Inventor: Seiji Hirano, Shizuoka, Japan**
- [73] **Assignee: Yazaki Industrial Chemical Co. Ltd., Shizuoka-Ken, Japan**
- [**] **Term: 14 Years**
- [21] **Appl. No.: 56,617**
- [22] **Filed: Jul. 3, 1996**
- [51] **LOC (6) Cl. 08-08**
- [52] **U.S. Cl. D8/382**
- [58] **Field of Search D8/382, 394; D34/12, D34/17, 22, 27; 220/489, 493; 211/181.1; 24/335; 403/73, 403, 406.1**

5,209,597 5/1993 Flaming 403/403
5,601,038 2/1997 Welch 211/181.1

Primary Examiner—B. J. Bullock
Attorney, Agent, or Firm—Eric P. Schelli

[57] **CLAIM**

The ornamental design for a partition locking metal attachment for wire gauze, as shown and described.

DESCRIPTION

FIG. 1 is a top plan, front, and right side perspective view of a partition locking metal attachment for wire gauze shooting my new design;
 FIG. 2 is a front elevational view;
 FIG. 3 is a right side elevational view;
 FIG. 4 is a cross sectional view taken on line IV—IV of FIG. 2;
 FIG. 5 is a top plan view;
 FIG. 6 is a bottom plan view;
 FIG. 7 is a rear elevational view;
 FIG. 8 is a reduced perspective view in a position of use, the broken line showing of a net cart is for illustrative purposes only and forms no part of the claimed design; and,
 FIG. 9 is an enlarged fragmentary perspective view taken within circle IX of FIG. 8.

[56] **References Cited**

U.S. PATENT DOCUMENTS

2,970,702	2/1961	Maslow	211/181.1
3,132,609	5/1964	Chesley	211/181.1
3,837,136	9/1974	Graham	403/403
3,925,954	12/1975	Snow	403/403
3,986,317	10/1976	Mountz	403/73
4,032,204	6/1977	Nation	403/73

1 Claim, 4 Drawing Sheets

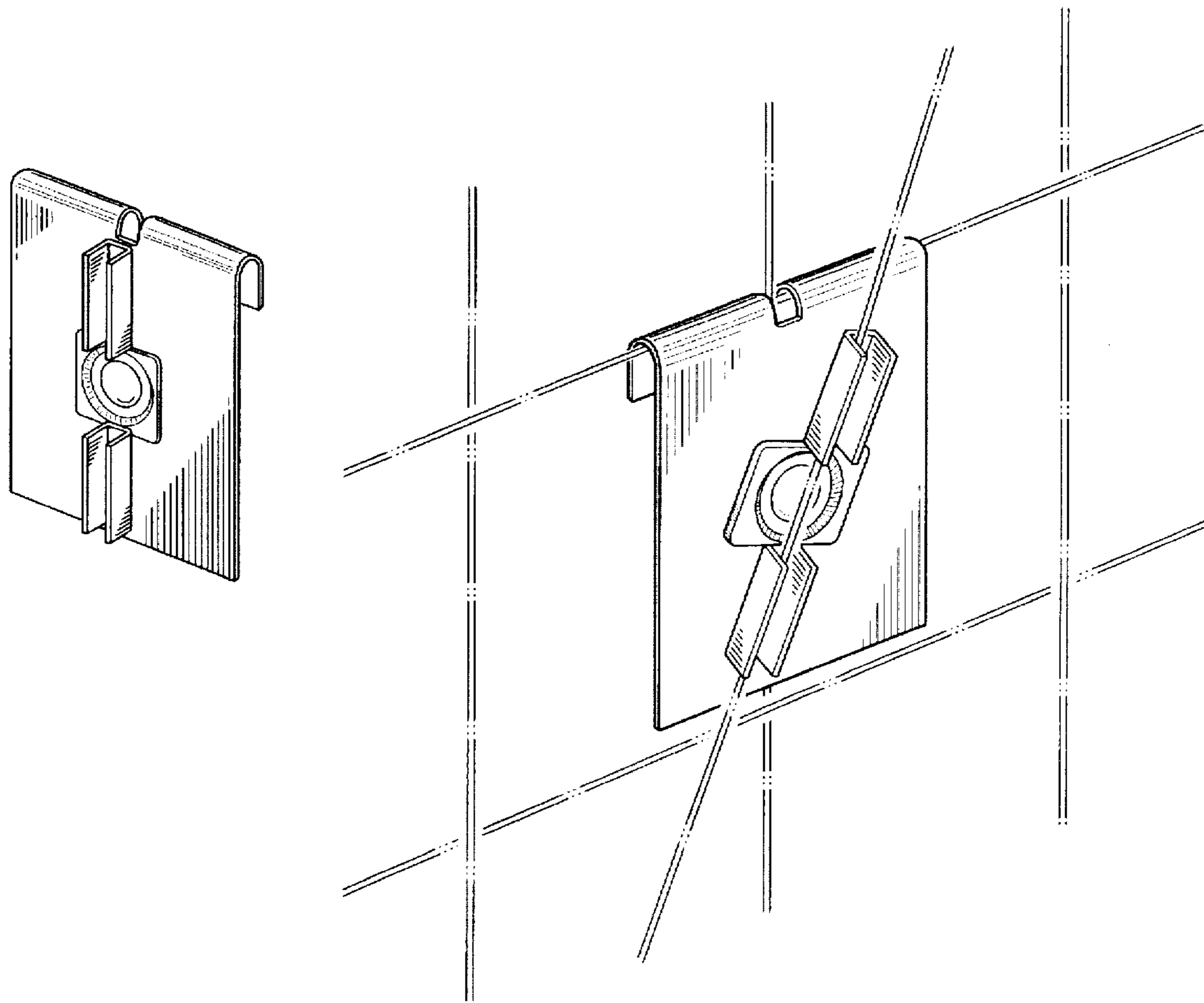


FIG. 1

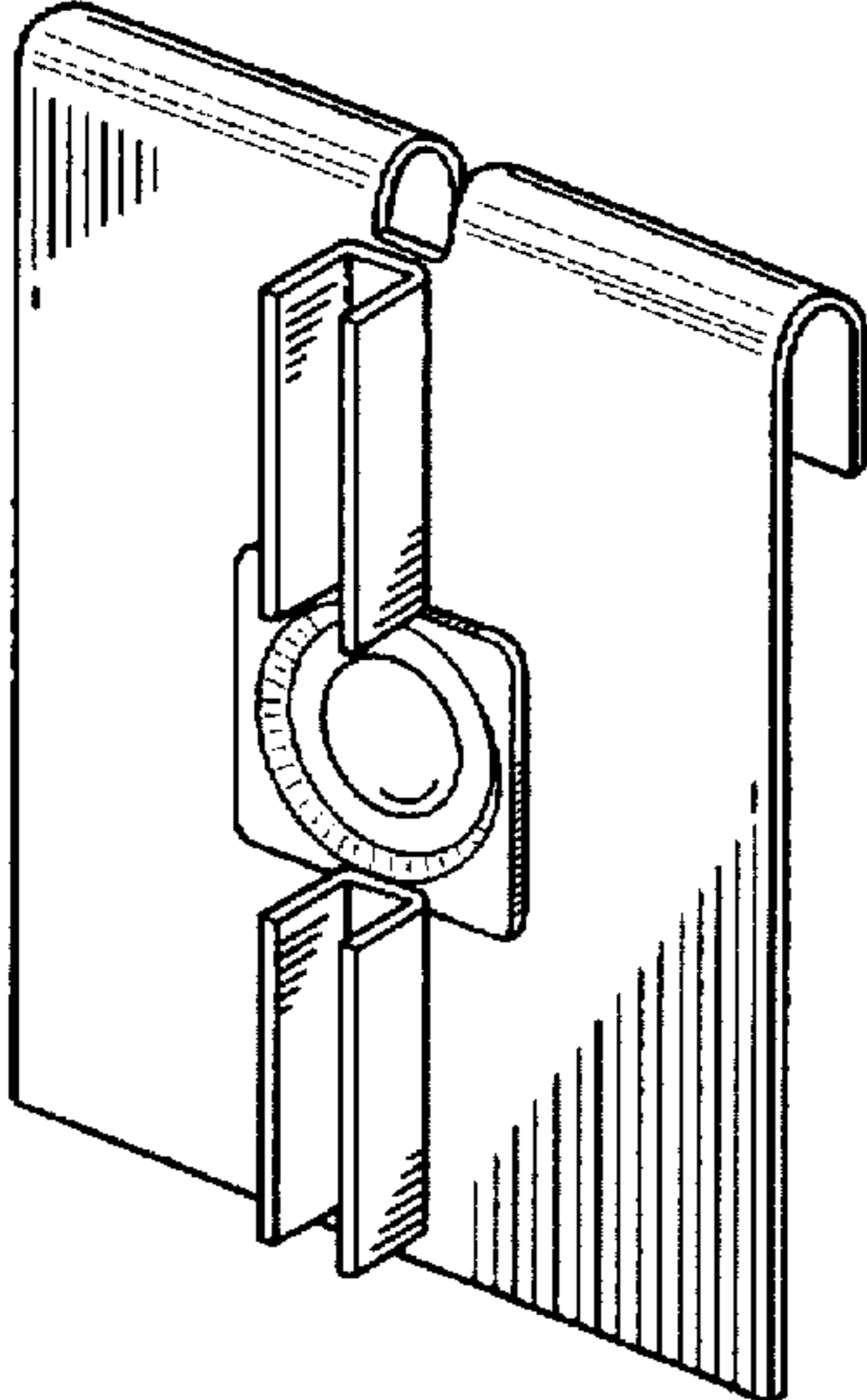


FIG. 2

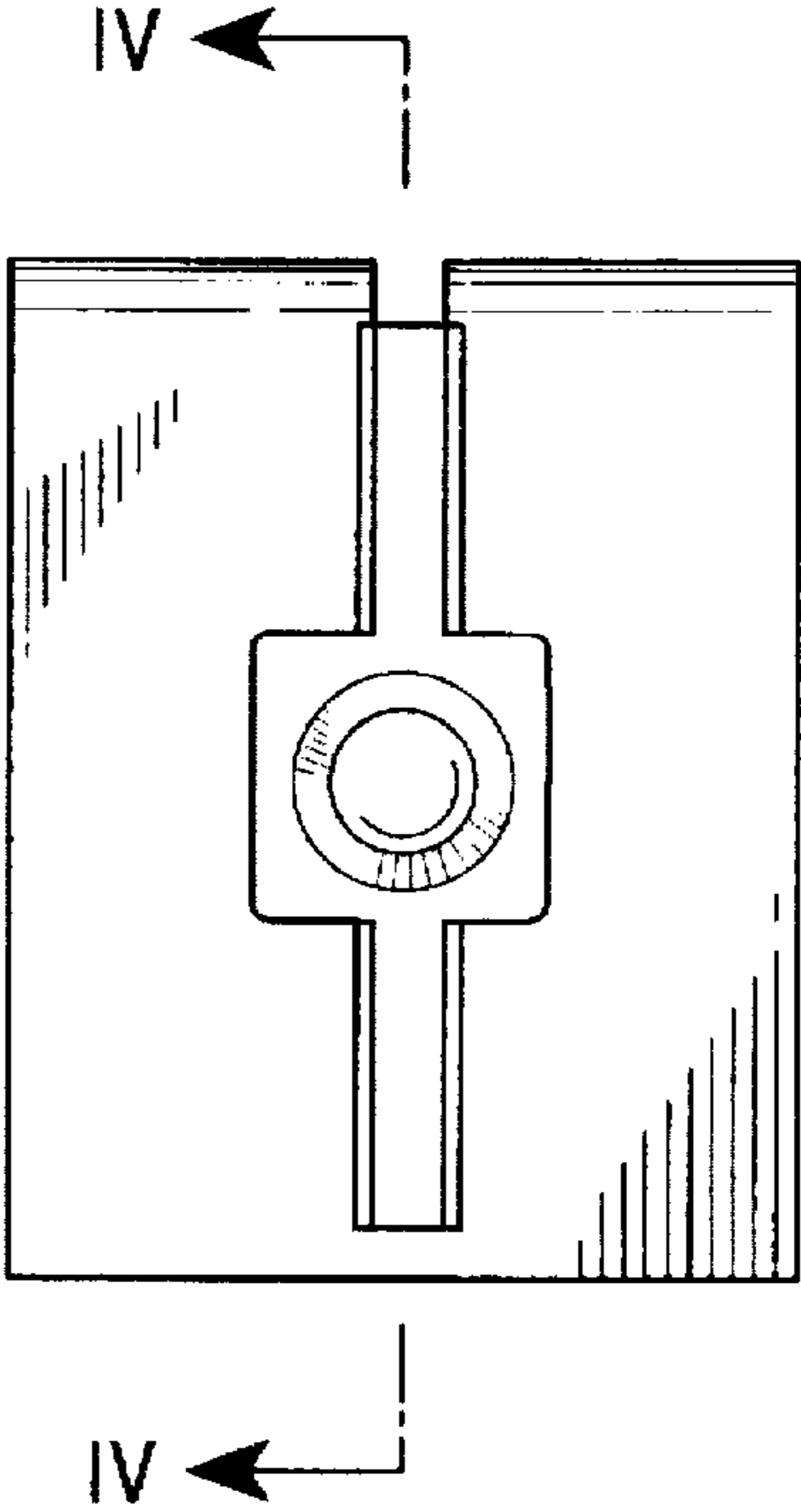


FIG. 3

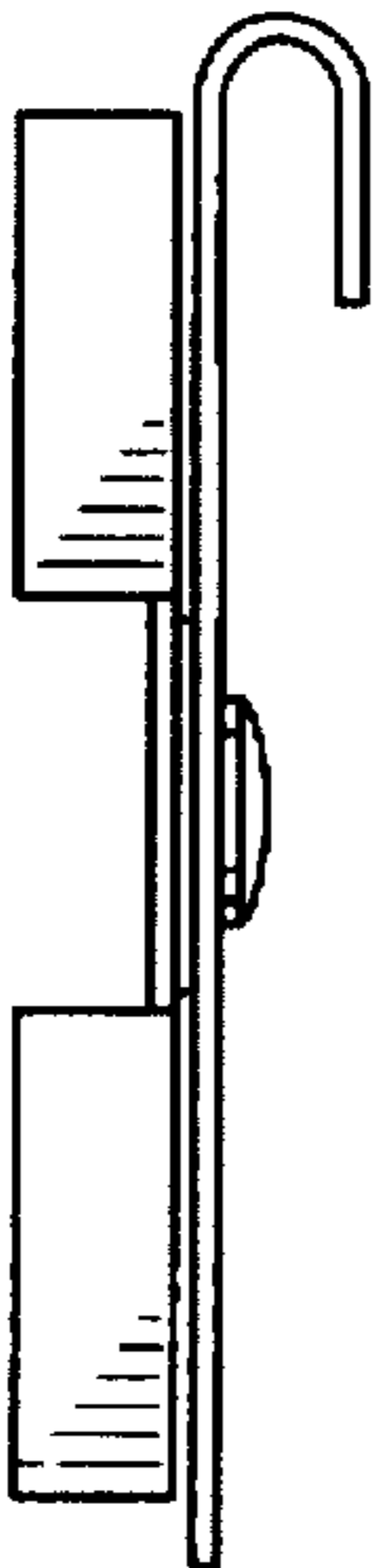


FIG. 4

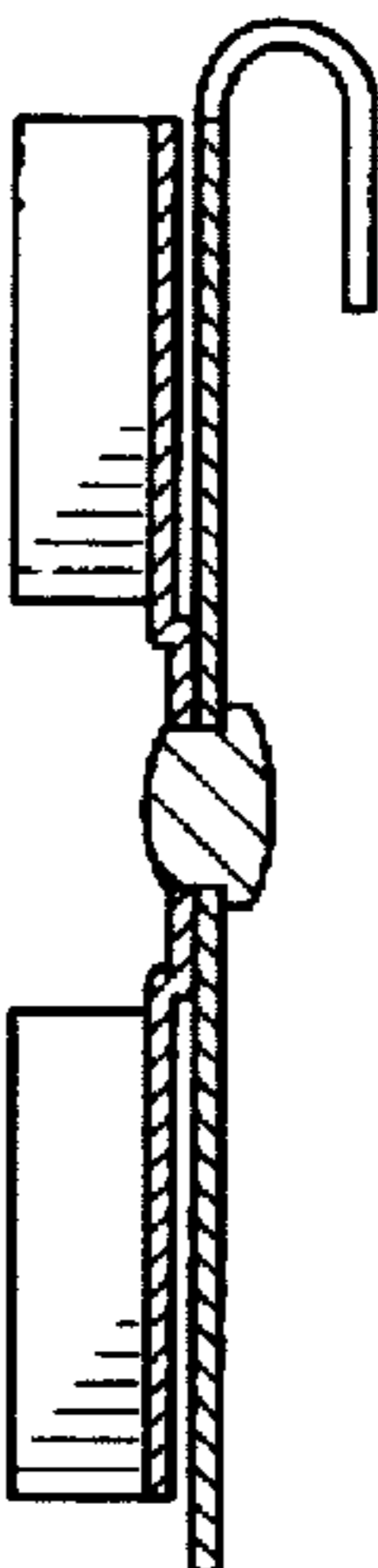


FIG. 5

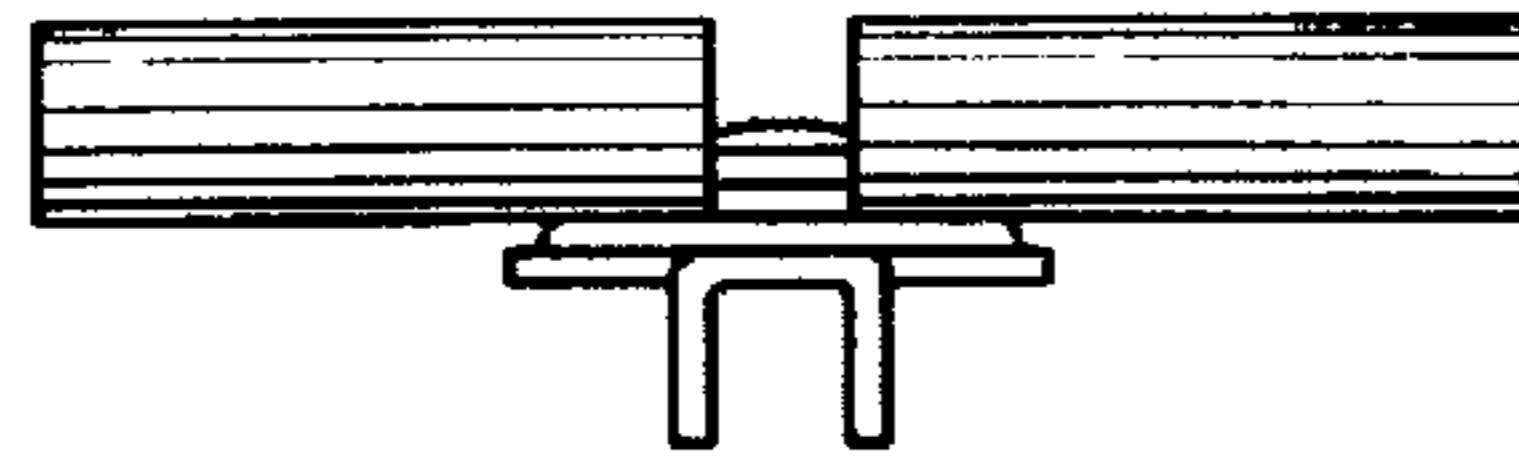


FIG. 6

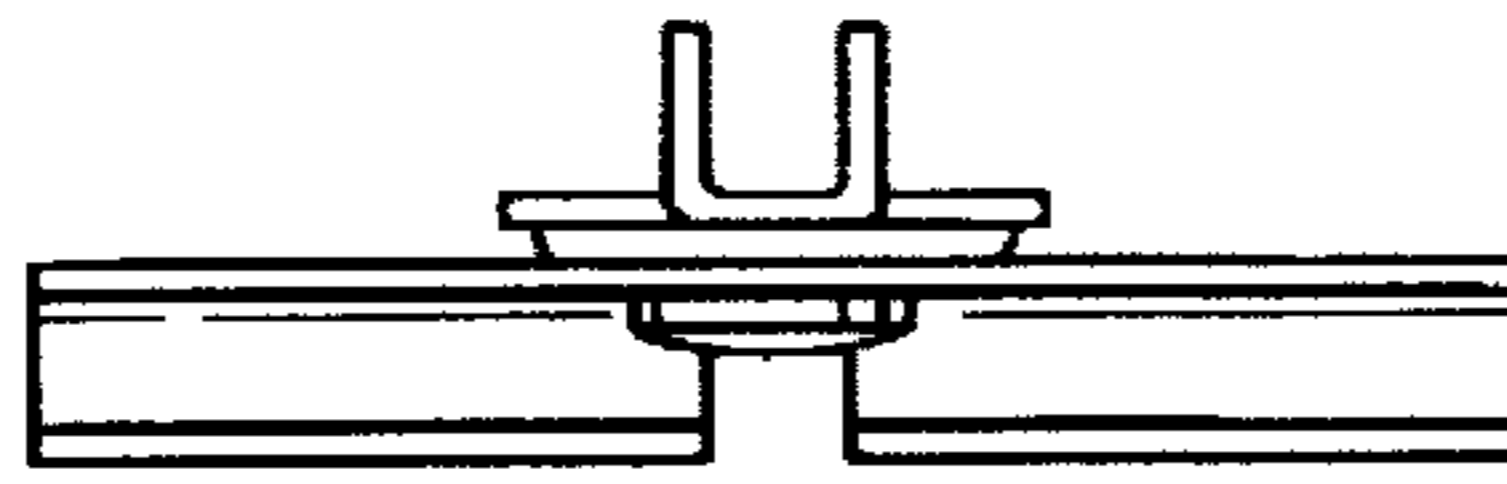


FIG. 7

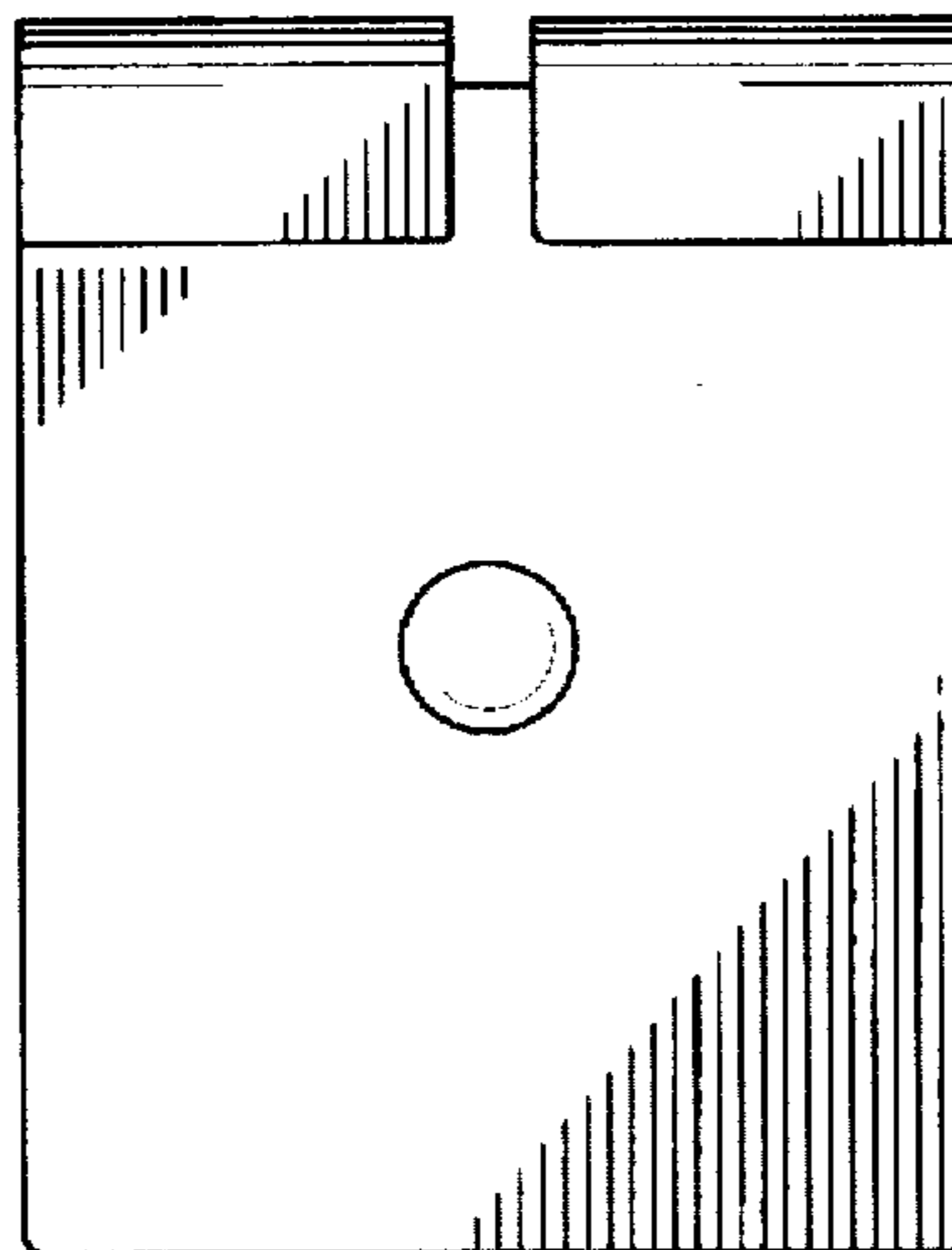


FIG. 8

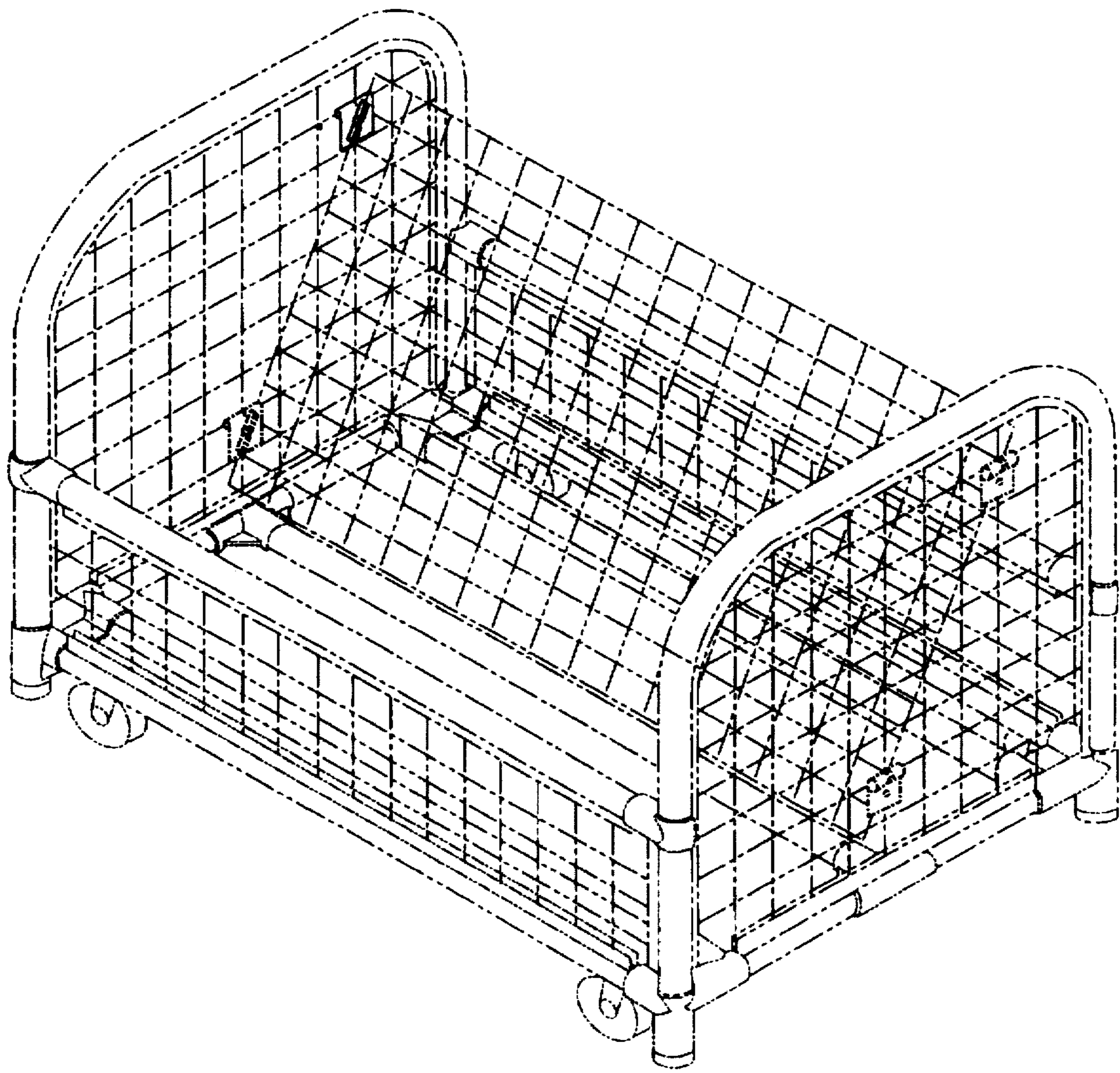


FIG. 9

