

US00D392176S

United States Patent [19]
Orser

[11] **Patent Number:** **Des. 392,176**
[45] **Date of Patent:** ****Mar. 17, 1998**

[54] **ANTI-SLIP PICTURE WIRE HANGER BRACKET**

4,561,617 12/1985 Hafner 248/489
5,069,412 12/1991 Jacob 248/493
5,351,017 9/1994 Yano et al. 248/300 X

[76] **Inventor:** **Garry Orser, P.O. Box 163, Hartland, New Brunswick, Canada, E0J 1N0**

Primary Examiner—Holly Baynham

[**] **Term:** **14 Years**

[57] **CLAIM**

[21] **Appl. No.:** **64,442**

The ornamental design for an anti-slip picture wire hanger bracket, as shown and described.

[22] **Filed:** **Dec. 31, 1996**

DESCRIPTION

[51] **LOC (6) Cl.** **08-05**

FIG. 1 is a front elevational view of an anti-slip picture wire hanger bracket, showing my new design;

[52] **U.S. Cl.** **D8/373**

FIG. 2 is a right side view thereof at an enlarged scale, the left side view being symmetrical;

[58] **Field of Search** D8/349, 354, 373;
248/300, 489, 493, 497-498

FIG. 3 is a top plan view thereof, at the scale of FIG. 1;

FIG. 4 is a bottom plan view thereof; and,

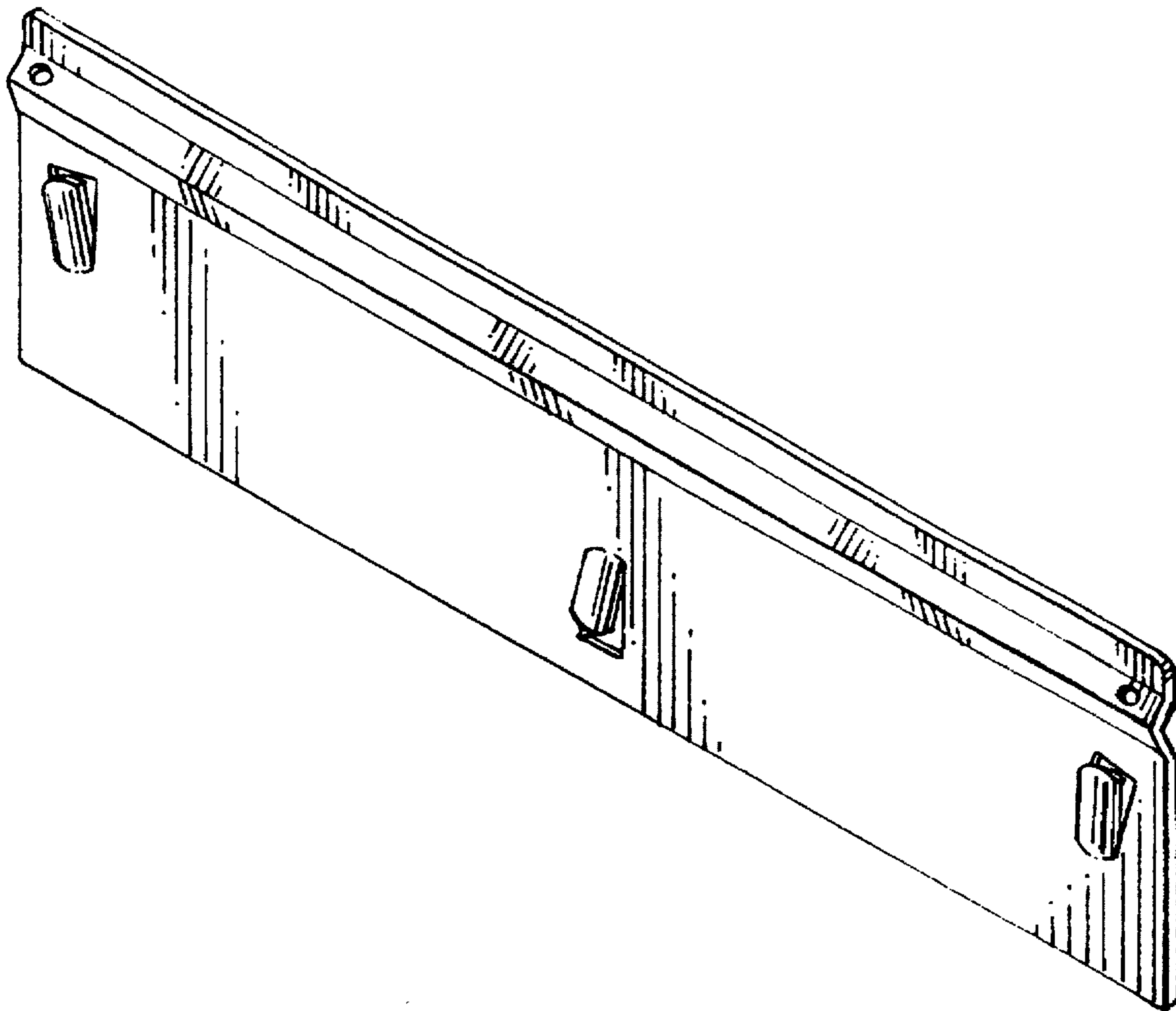
FIG. 5 is an isometric view thereof.

[56] **References Cited**

U.S. PATENT DOCUMENTS

2,448,137 8/1948 Cody 248/497

1 Claim, 2 Drawing Sheets



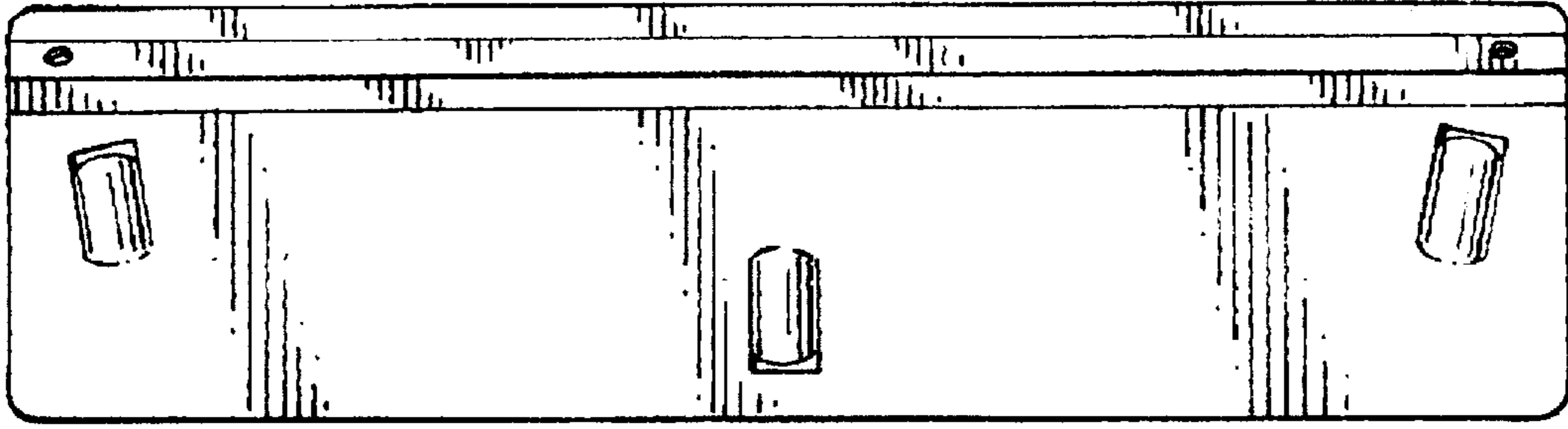


FIG. 1



FIG. 3



FIG. 4



FIG. 2

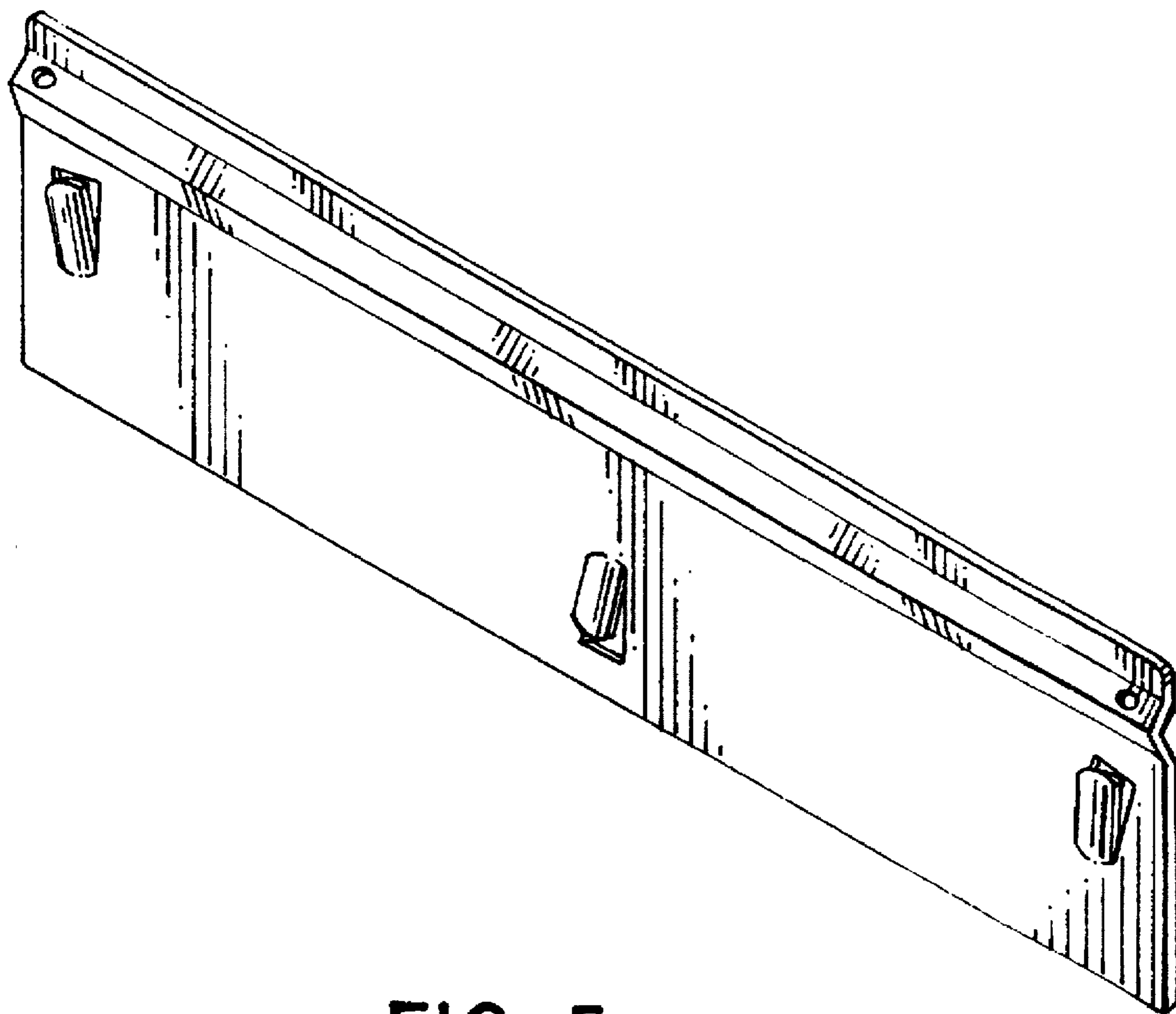


FIG. 5