



US00D392172S

United States Patent [19]

[11] Patent Number: **Des. 392,172**

Havel

[45] Date of Patent: ****Mar. 17, 1998**

[54] **HANDLE FOR A POWERED ICE AUGER**

[75] Inventor: **Randall L. Havel**, Big Lake, Minn.

[73] Assignee: **StrikeMaster Corporation**, Big Lake, Minn.

[**] Term: **14 Years**

[21] Appl. No.: **68,239**

[22] Filed: **Mar. 19, 1997**

[51] LOC (6) Cl. **08-04**

[52] U.S. Cl. **D8/87; D8/107**

[58] Field of Search **D8/87, 107, 315-320; 16/110 R; 81/177.1, 177.4, 489, 436-440**

[56] **References Cited**

U.S. PATENT DOCUMENTS

- D. 342,427 12/1993 Stovall D8/107 X
- D. 345,288 3/1994 Hubal et al. D8/107 X
- D. 346,886 5/1994 Glade D8/107 X

Primary Examiner—Antoine Duval Davis
Attorney, Agent, or Firm—Burd, Bartz & Gutenkauf

[57] **CLAIM**

The ornamental design for a handle for a powered ice auger, as shown and described.

DESCRIPTION

FIG. 1 is a top perspective view of an ice auger handle showing my new design, a portion of a powered ice auger being shown in broken lines to show the location of the handle;

FIG. 2 is a top plan view of the ice auger handle;

FIG. 3 is a front elevation thereof;

FIG. 4 is a bottom plan view thereof;

FIG. 5 is a right side elevational view thereof;

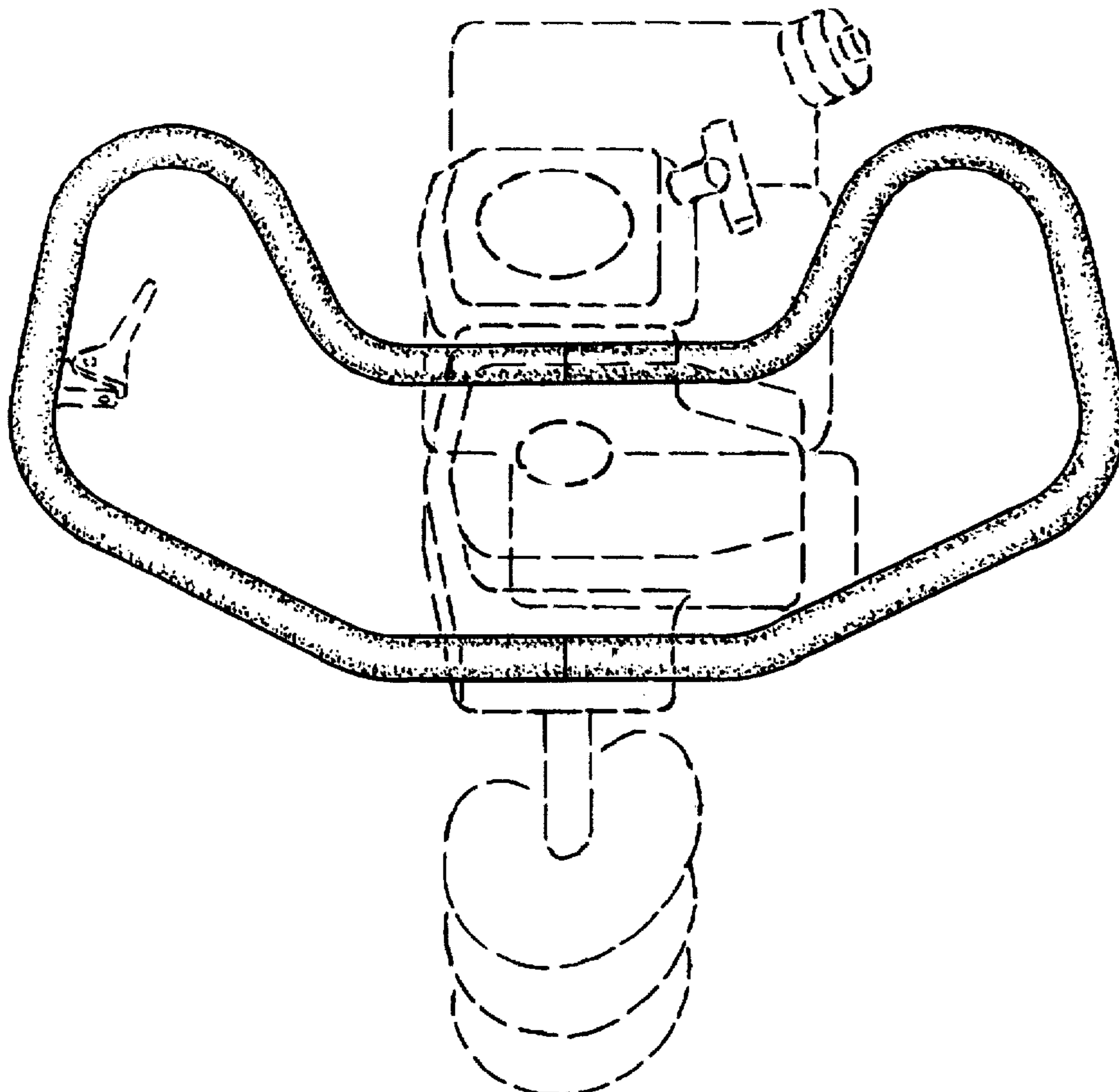
FIG. 6 is a left side elevational view thereof; and,

FIG. 7 is a rear elevational view thereof.

In all of the figures, the structure on which a motor is mounted, in which the handle is supported, is shown in broken lines.

The broken line showing is for illustrative purposes only and forms no part of the claimed design.

1 Claim, 3 Drawing Sheets



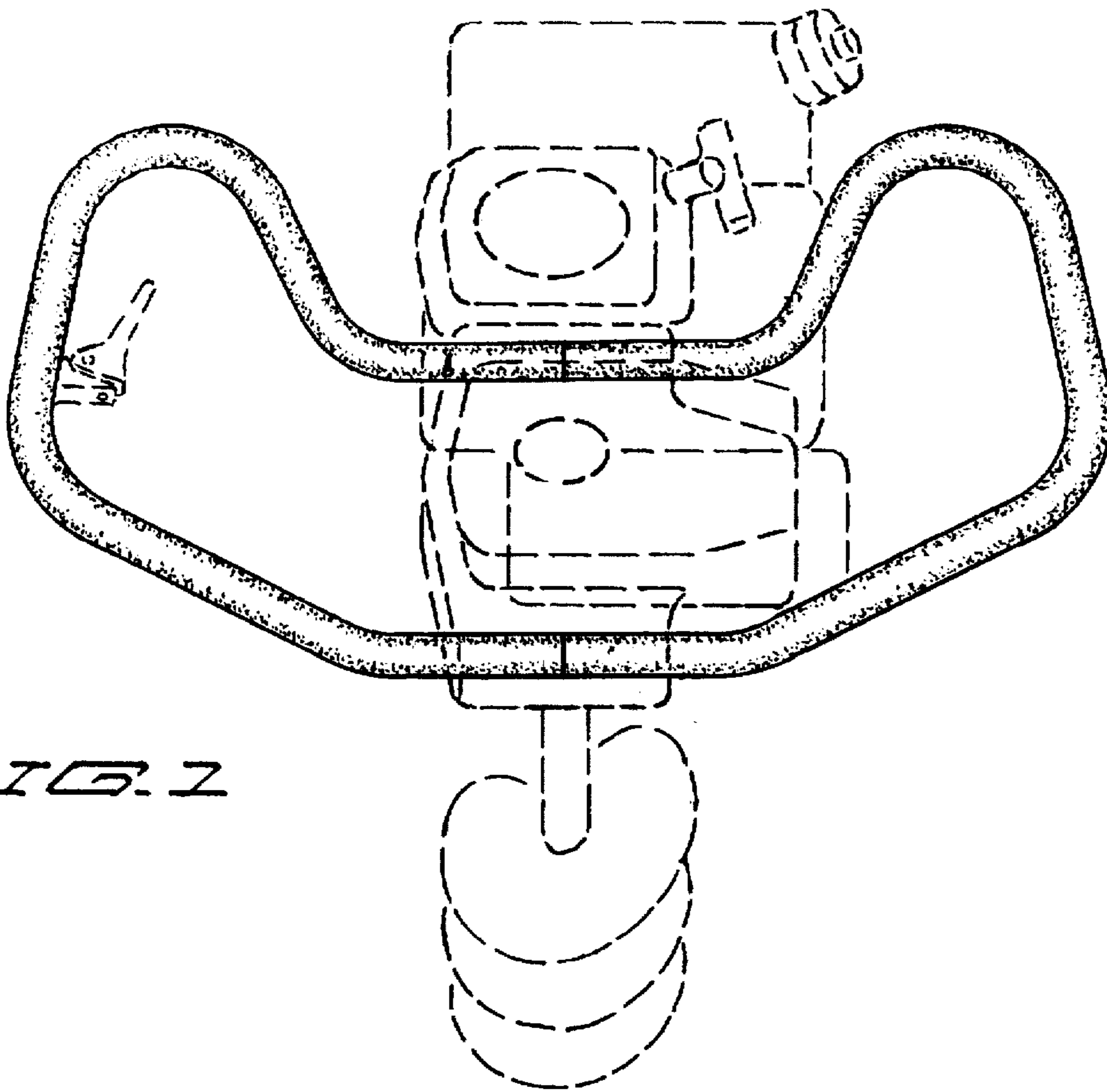


FIG. 1

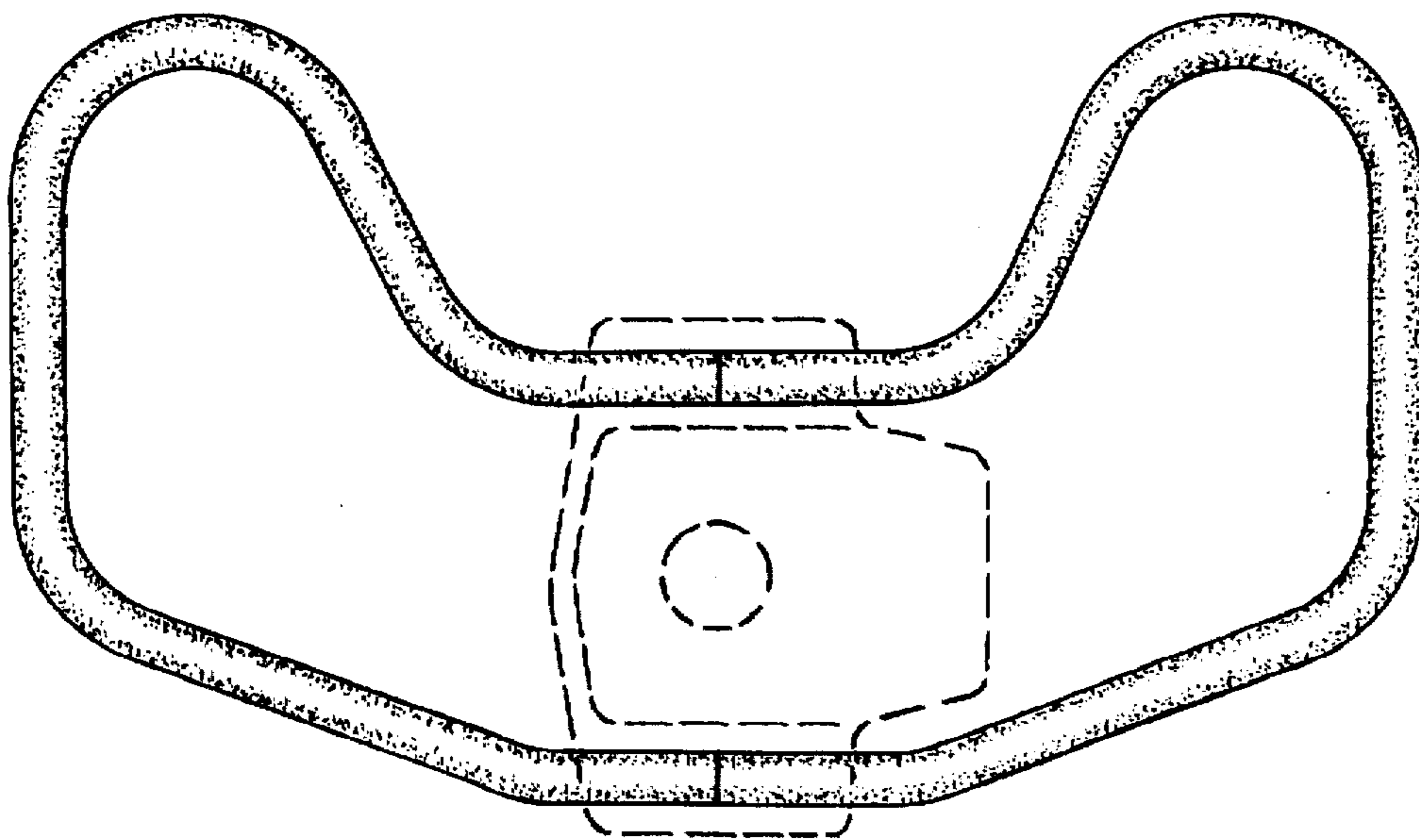


FIG. 2

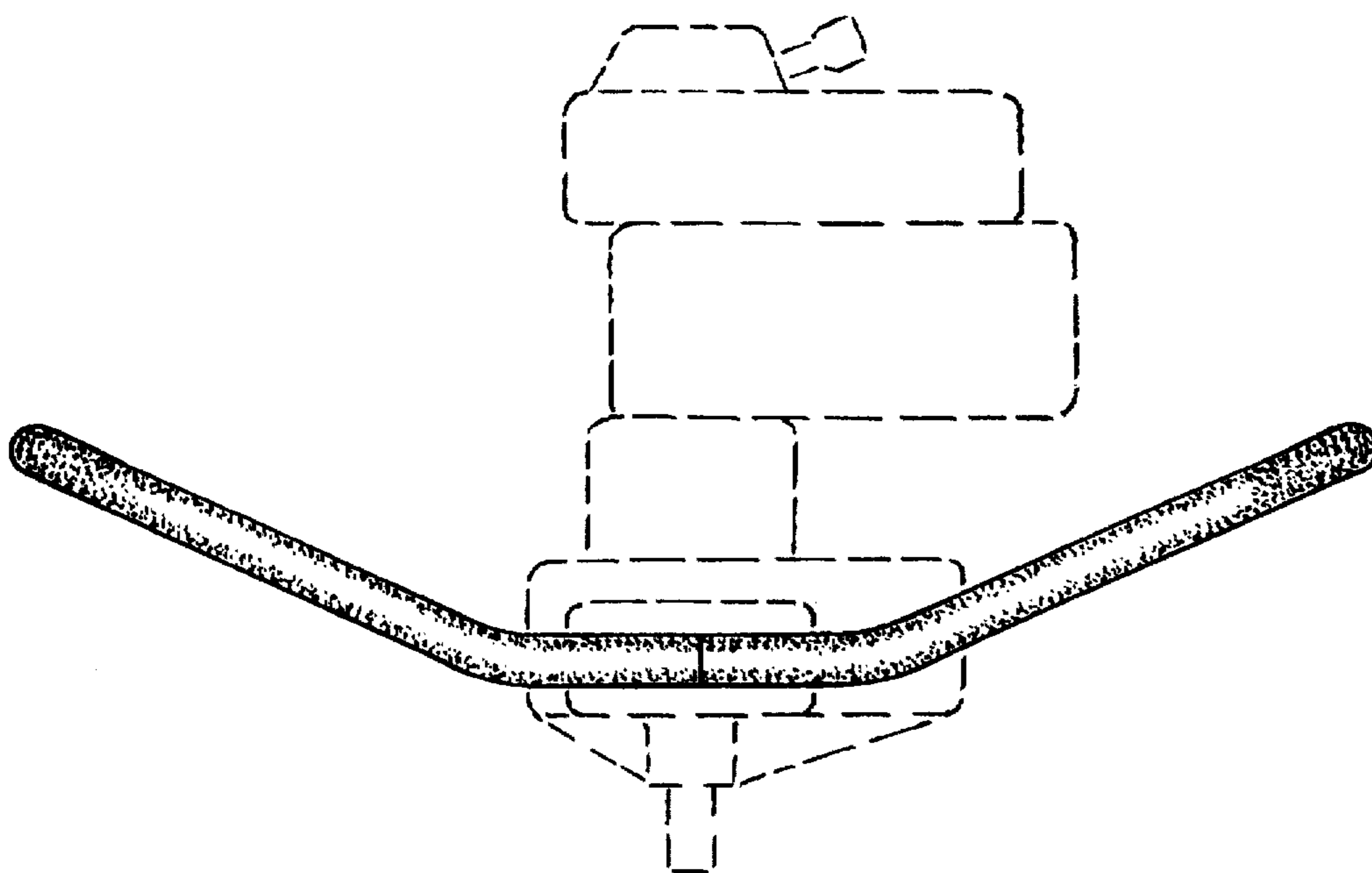


FIG. 3

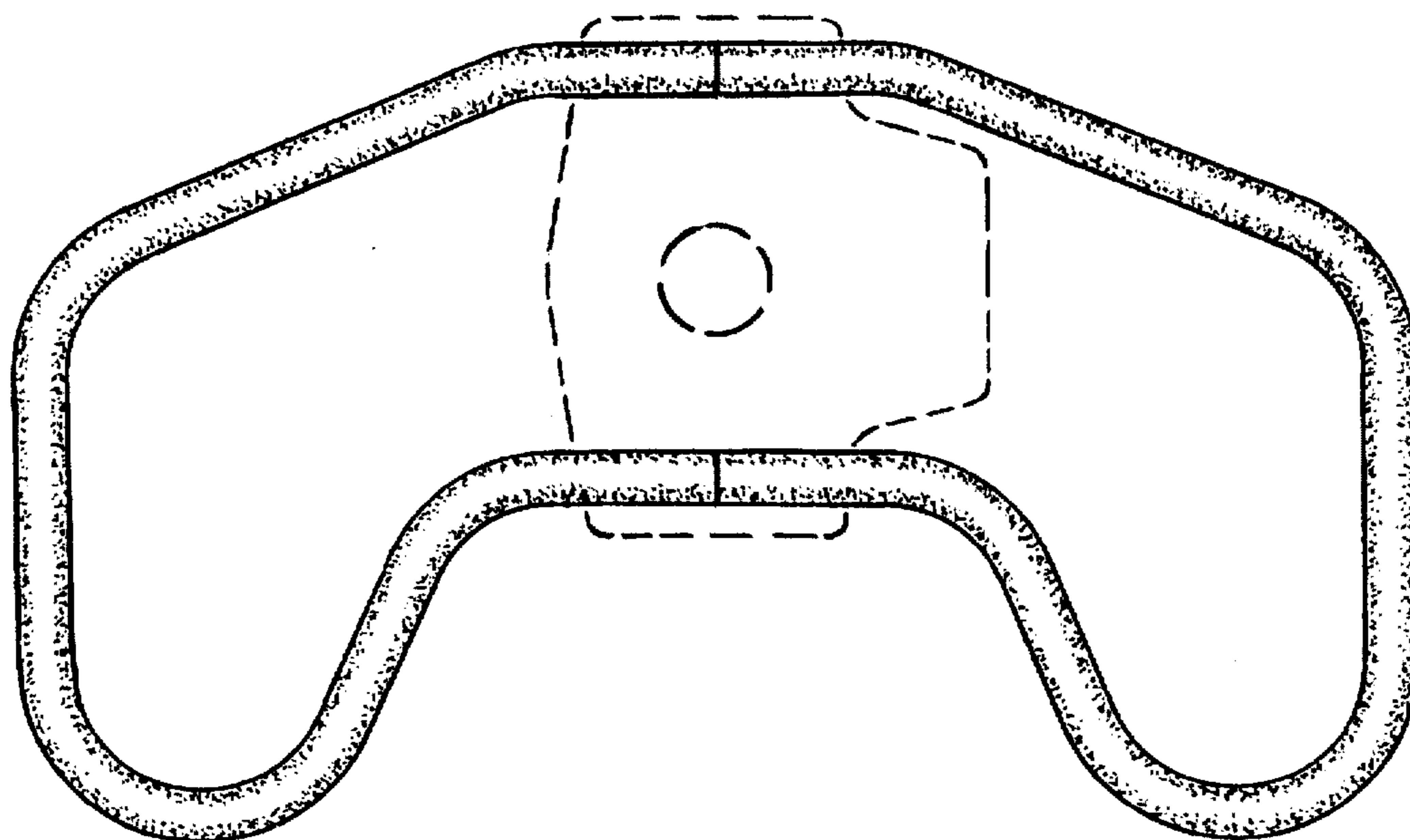


FIG. 4

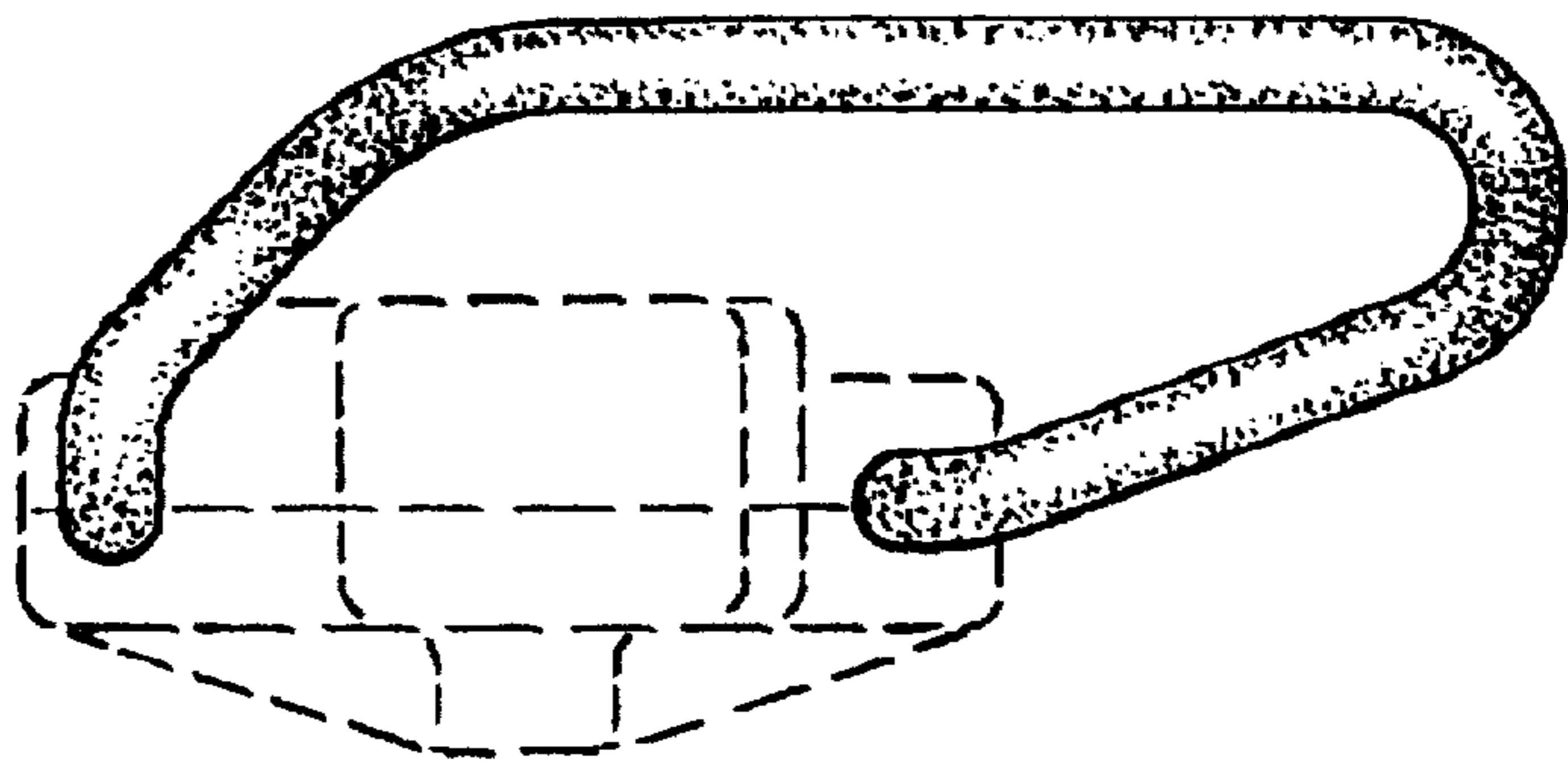


FIG. 5

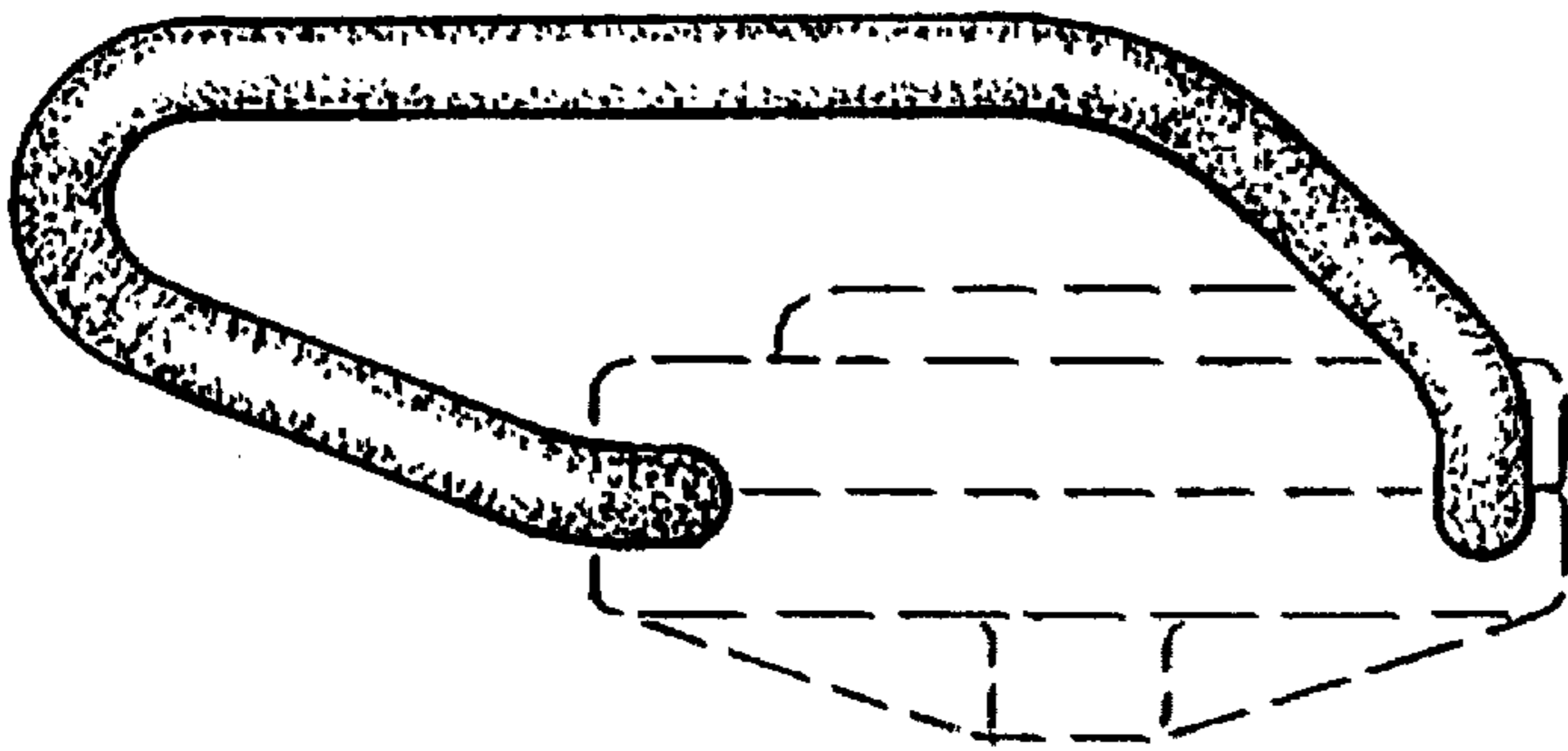


FIG. 6

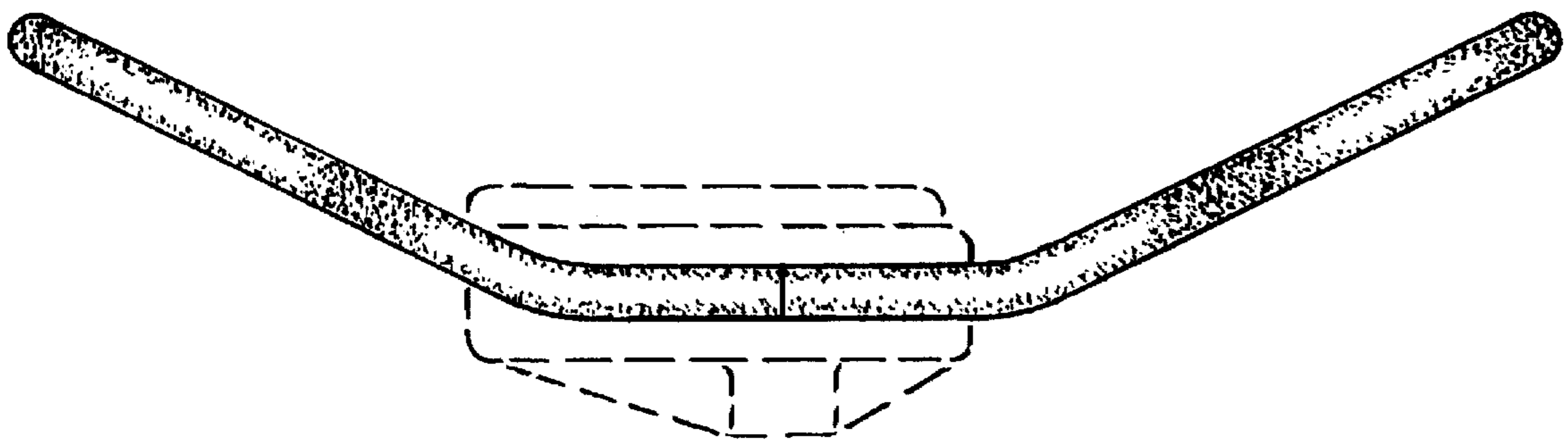


FIG. 7