



US00D392171S

United States Patent [19]

Miller

[11] Patent Number: **Des. 392,171**

[45] Date of Patent: ****Mar. 17, 1998**

[54] **ADJUSTABLE CLAMP**

[75] Inventor: **Timothy J. Miller**, Ligonier, Ind.

[73] Assignee: **Universal Consolidated Methods, Inc.**,
Topeka, Ind.

[**] Term: **14 Years**

[21] Appl. No.: **63,624**

[22] Filed: **Dec. 11, 1996**

[51] LOC (6) Cl. **08-05**

[52] U.S. Cl. **D8/72**

[58] Field of Search D8/72; 24/514,
24/525, 569; 248/231.7; 269/249; 296/10,
100, 102; 403/290, 373

[56] **References Cited**

U.S. PATENT DOCUMENTS

D. 339,782 9/1993 Yoder D8/72 X

D. 358,798 5/1995 Miller D8/72 X
D. 364,792 12/1995 Yoder et al. D8/72

Primary Examiner—Antoine Duval Davis
Attorney, Agent, or Firm—Roger M. Rickert

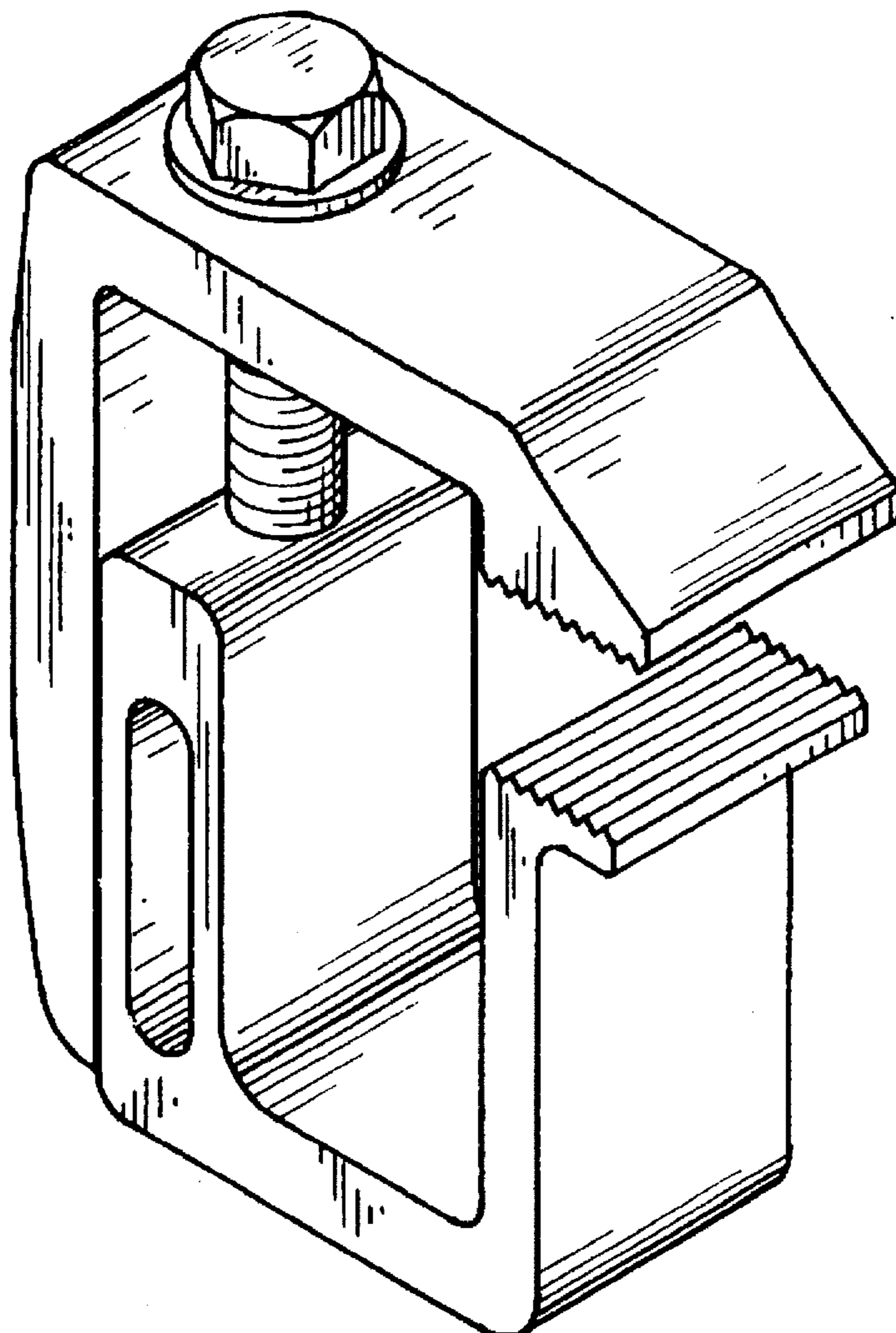
[57] CLAIM

The ornamental design for a adjustable clamp, as shown and described.

DESCRIPTION

FIG. 1 is a perspective view of the adjustable clamp illustrating my new design;
FIG. 2 is a side elevational view of the adjustable clamp of FIG. 1, the other side having the same appearance;
FIG. 3 is a top plan view thereof;
FIG. 4 is a bottom plan view thereof;
FIG. 5 is a front end elevational view thereof; and,
FIG. 6 is a rear elevational view thereof.

1 Claim, 1 Drawing Sheet



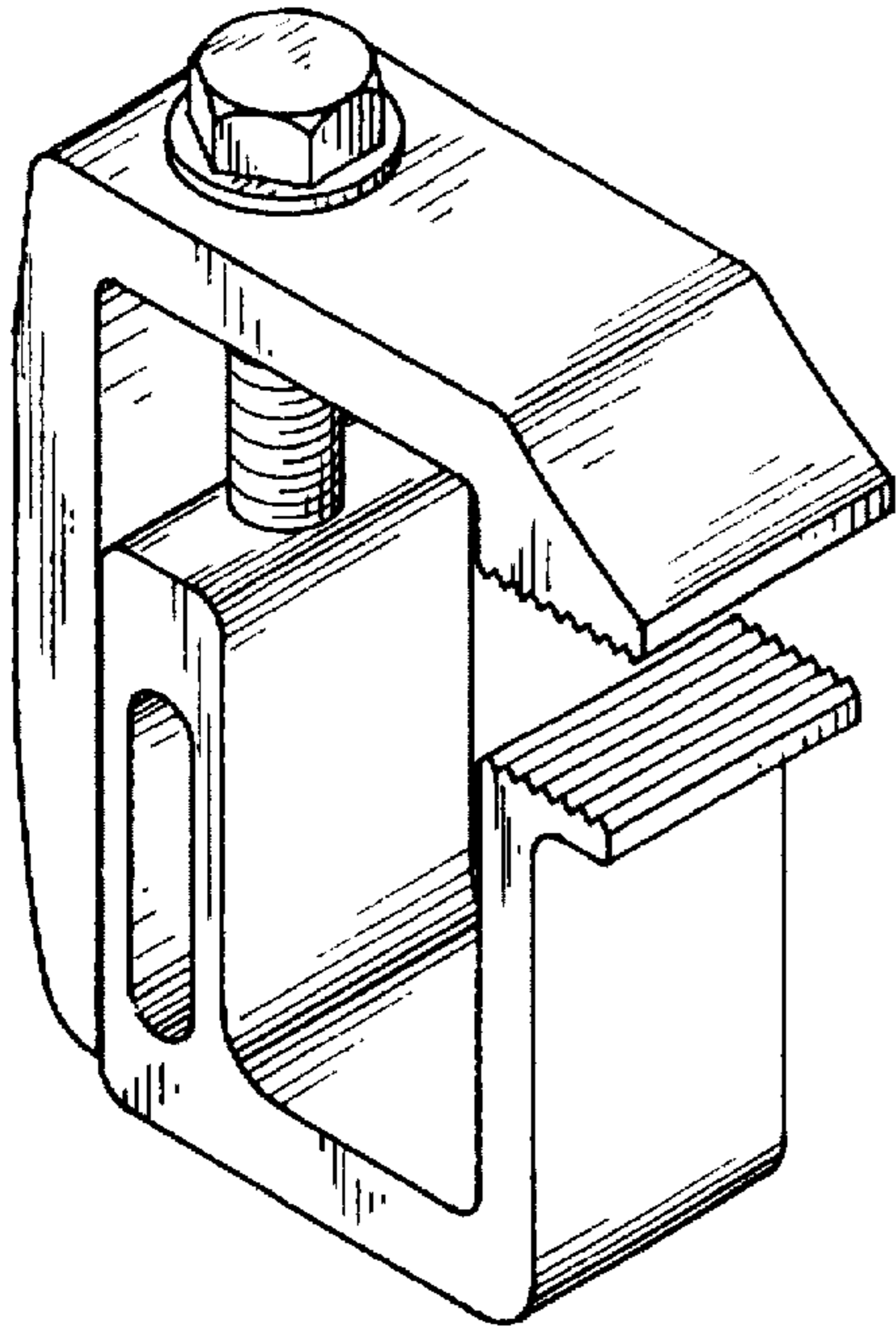


FIG. 1

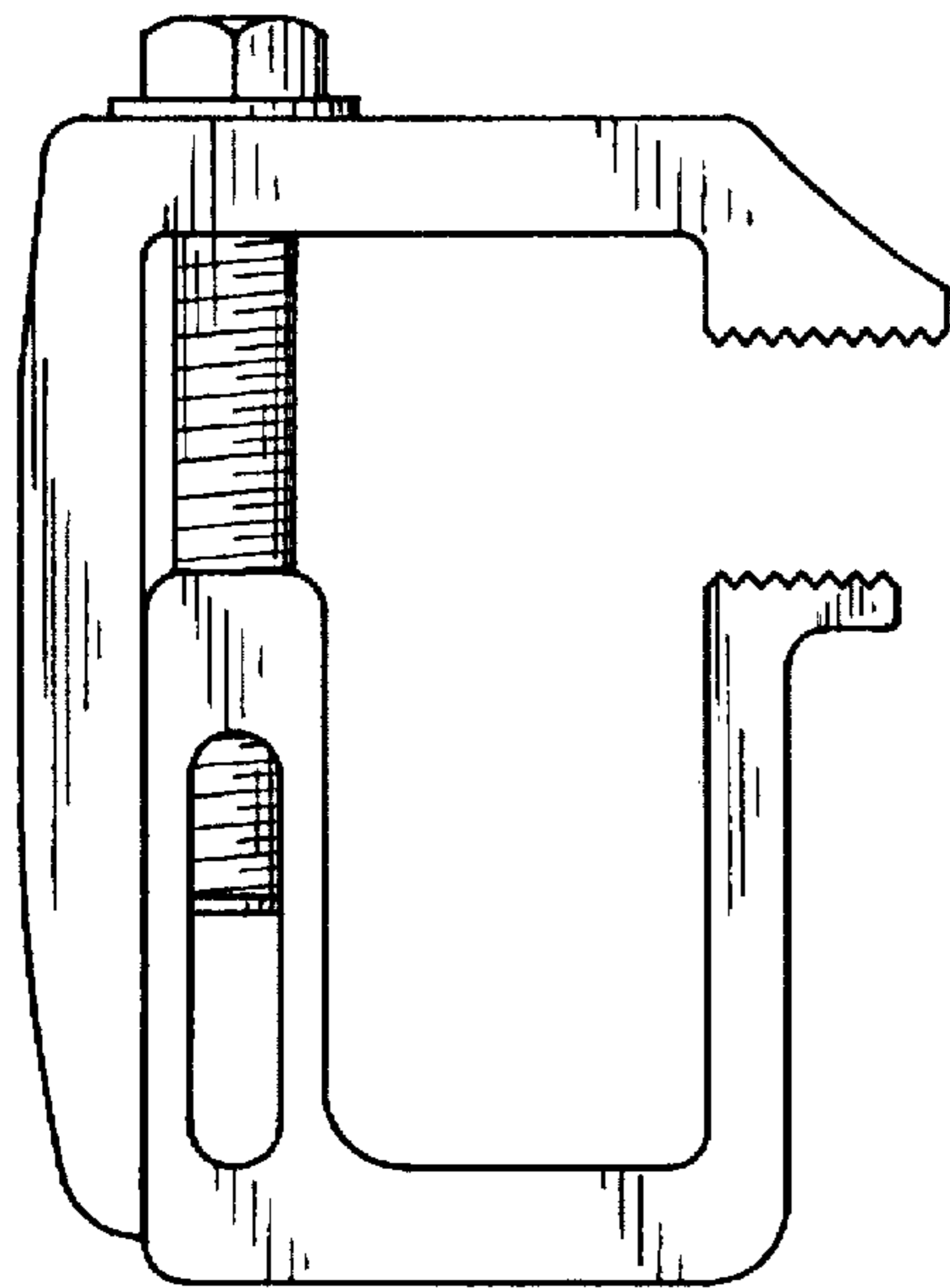


FIG. 2

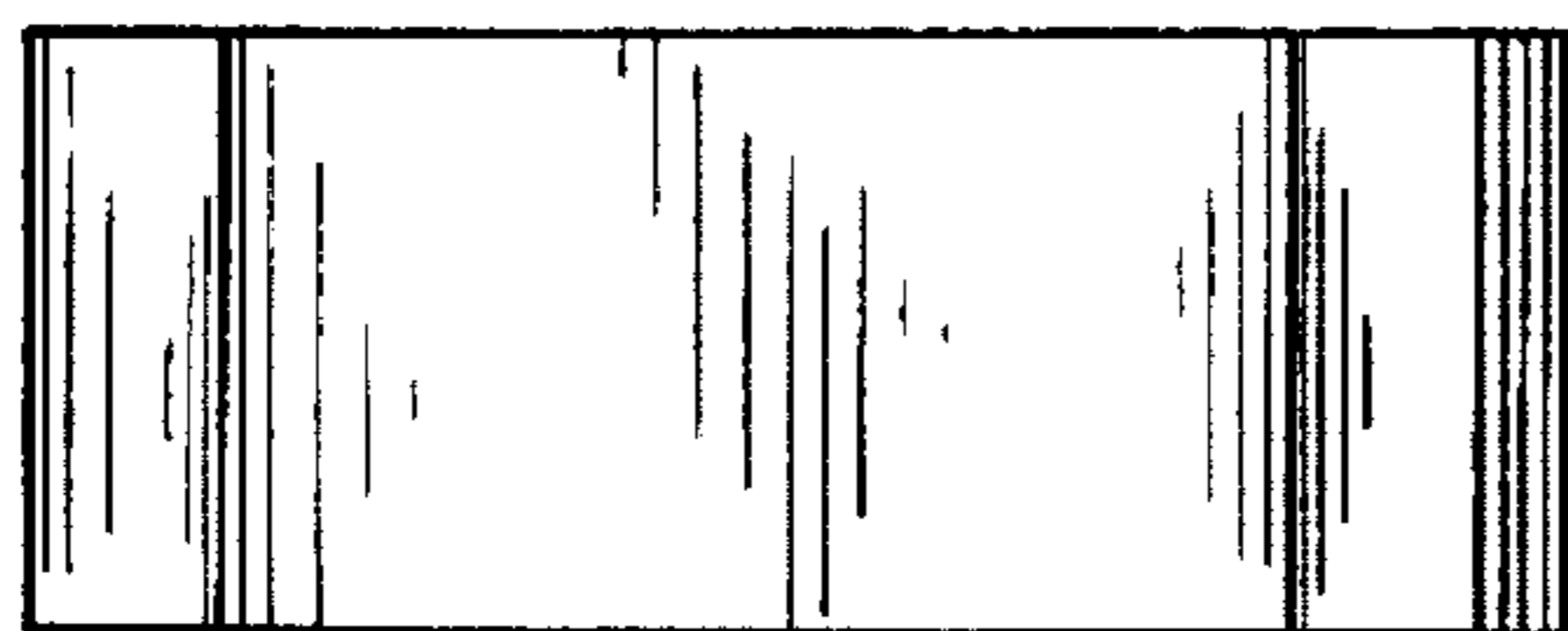


FIG. 4

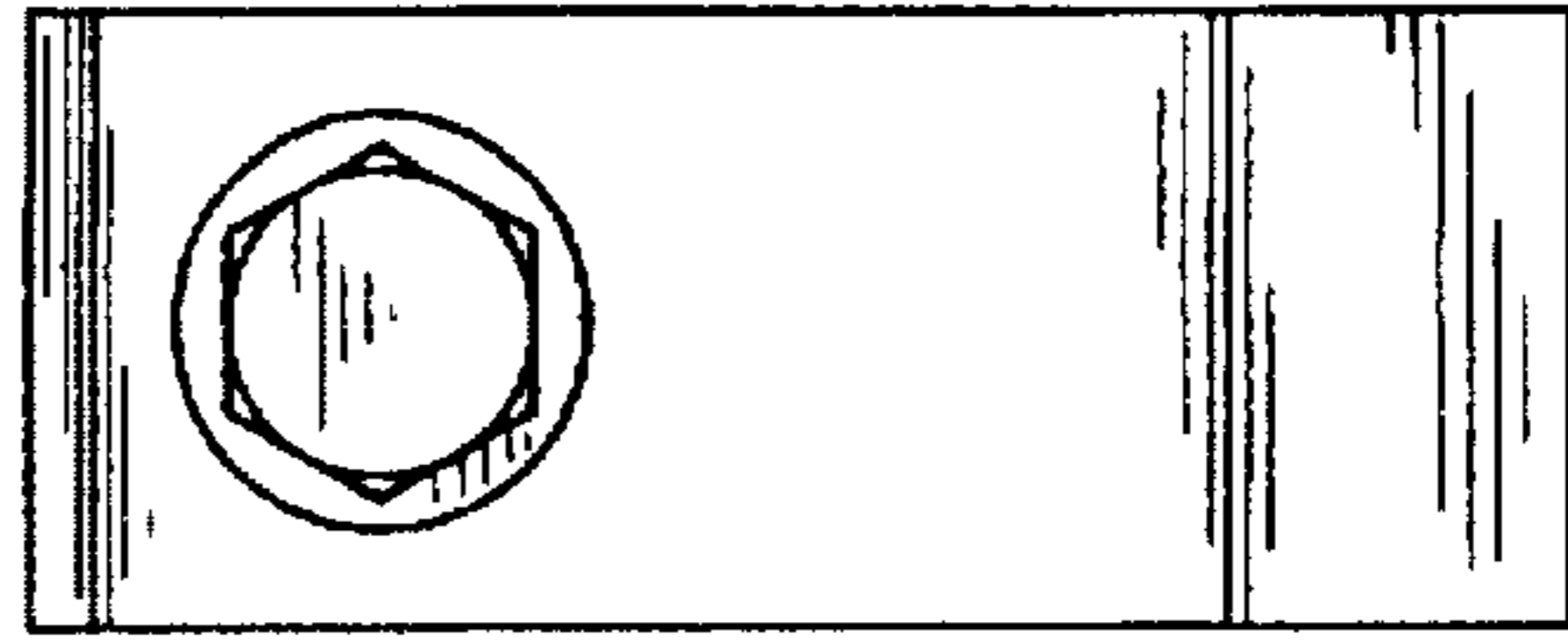


FIG. 3

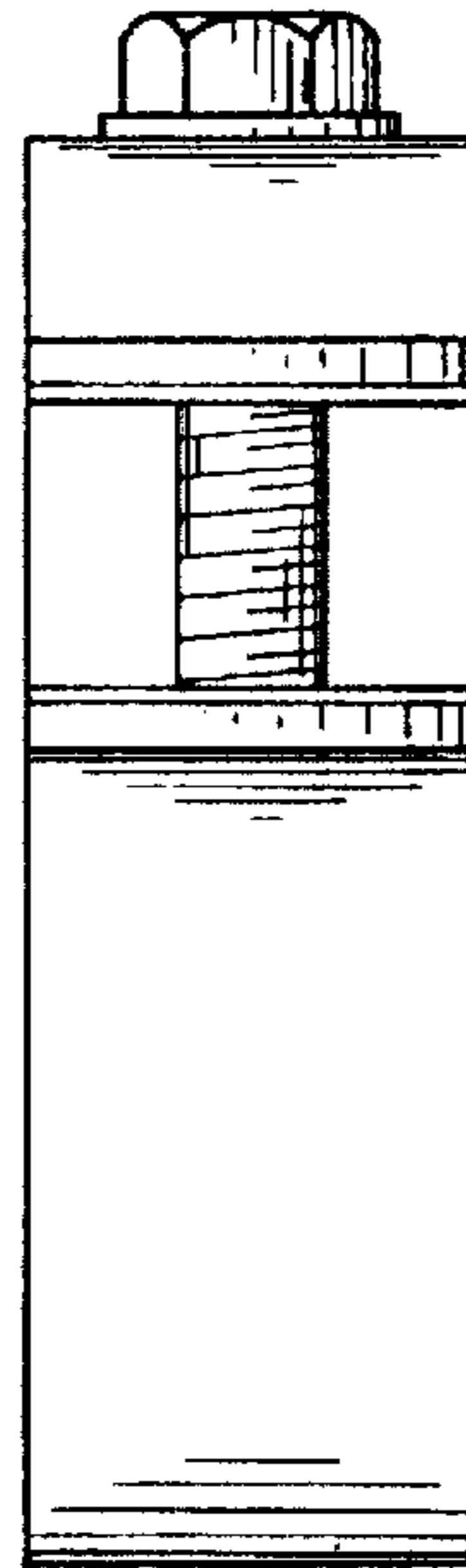


FIG. 5

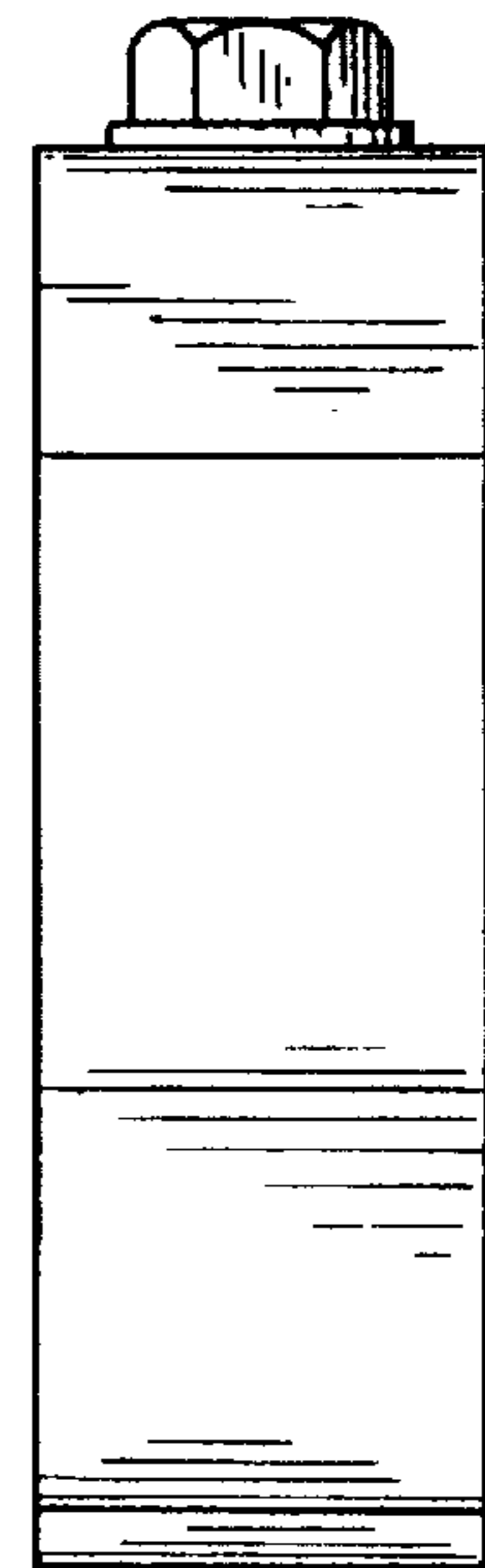


FIG. 6