



US00D392163S

**United States Patent** [19]  
**Jenkinson**

[11] **Patent Number: Des. 392,163**  
[45] **Date of Patent: \*\*Mar. 17, 1998**

[54] **BOTTLE CARRIER**

[75] **Inventor: Jim Jenkinson, Scarborough, Canada**

[73] **Assignee: Jasper Productions Inc., Scarborough, Canada**

[\*\*] **Term: 14 Years**

[21] **Appl. No.: 57,379**

[22] **Filed: Jul. 23, 1996**

[51] **LOC (6) Cl. .... 07-06**

[52] **U.S. Cl. .... D7/704**

[58] **Field of Search ..... D6/457, 458; D7/701, D7/704; 211/74, 77, 181.1; 294/137, 159, 161, 164**

[56] **References Cited**

**U.S. PATENT DOCUMENTS**

D. 153,090	3/1949	Saxton	.....	D7/704
D. 166,528	4/1952	Cole	.....	D7/704 X
2,191,693	2/1940	Havlis	.....	D7/704 X
2,552,983	5/1951	Lee	.....	211/181.1 X
2,883,063	4/1959	Baran	.....	D7/704 X

*Primary Examiner*—Terry A. Wallace  
*Attorney, Agent, or Firm*—Bereskin & Parr

[57] **CLAIM**

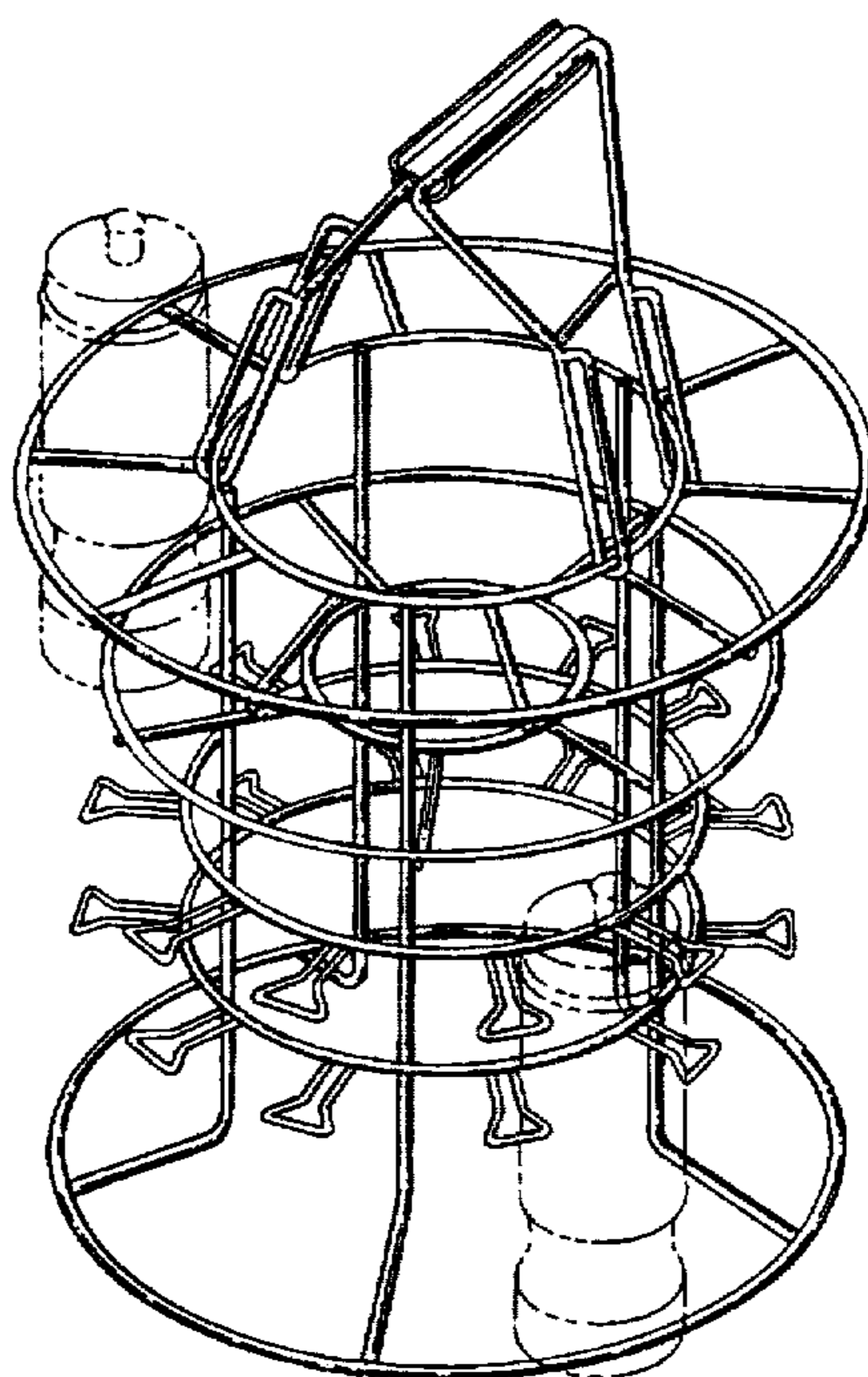
The ornamental design for a bottle carrier, as shown and described.

**DESCRIPTION**

FIG. 1 is a top perspective view of a bottle carrier showing my new design  
FIG. 2 is a top plan view thereof;

FIG. 3 is a front elevation view thereof;  
FIG. 4 is a right side elevation view thereof;  
FIG. 5 is a left side elevation view thereof;  
FIG. 6 is a rear elevation view thereof;  
FIG. 7 is a top perspective view of an alternate embodiment of FIG. 1;  
FIG. 8 is a top plan view of FIG. 7;  
FIG. 9 is a front elevation view of FIG. 7;  
FIG. 10 is a right side elevation view of FIG. 7;  
FIG. 11 is a left side elevation view of FIG. 7;  
FIG. 12 is a rear elevation view of FIG. 7;  
FIG. 13 is a top perspective view of FIG. 1 with the handles in an open position;  
FIG. 14 is a top perspective view of FIG. 7 with the handles in an open position;  
FIG. 15 is a top perspective view of an alternate embodiment of FIG. 1;  
FIG. 16 is a top perspective view of FIG. 15 with the handles in an open position;  
FIG. 17 is a top plan view of FIG. 15;  
FIG. 18 is a front elevation view of FIG. 15;  
FIG. 19 is a right side elevation view of FIG. 15;  
FIG. 20 is a left side elevation view of FIG. 15;  
FIG. 21 is a rear elevation view of FIG. 15;  
FIG. 22 is a top perspective view of an alternate embodiment of FIG. 1;  
FIG. 23 is a top perspective view of FIG. 22 with the handles in an open position;  
FIG. 24 is a top plan view of FIG. 23;  
FIG. 25 is a front elevation view of FIG. 23;  
FIG. 26 is a right side elevation view of FIG. 23;  
FIG. 27 is a left side elevation view of FIG. 23; and,  
FIG. 28 is a rear elevation view of FIG. 23.  
The bottles are shown in broken line for illustrative purposes only and form no part of the claimed design.

**1 Claim, 28 Drawing Sheets**



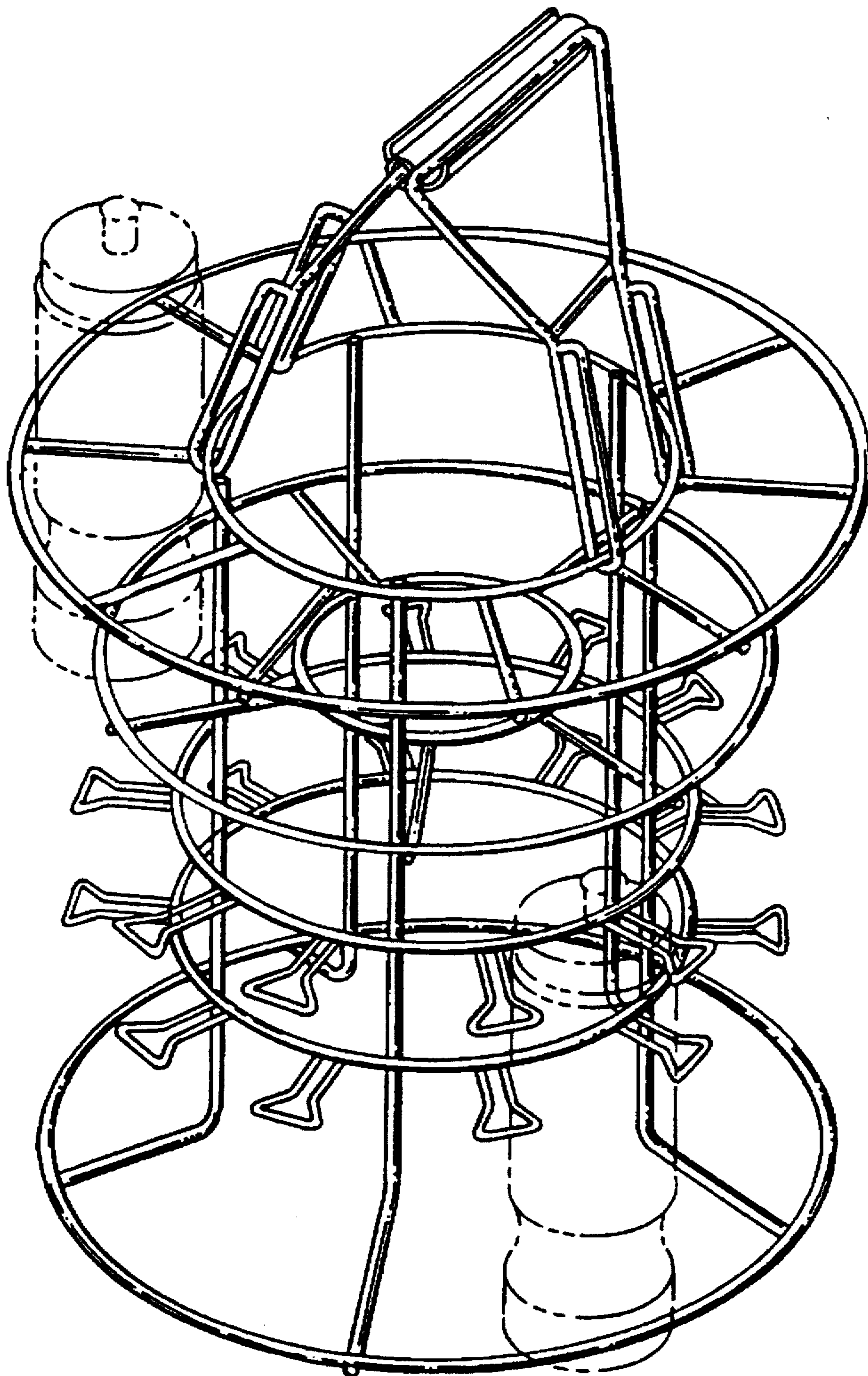


FIG. 1

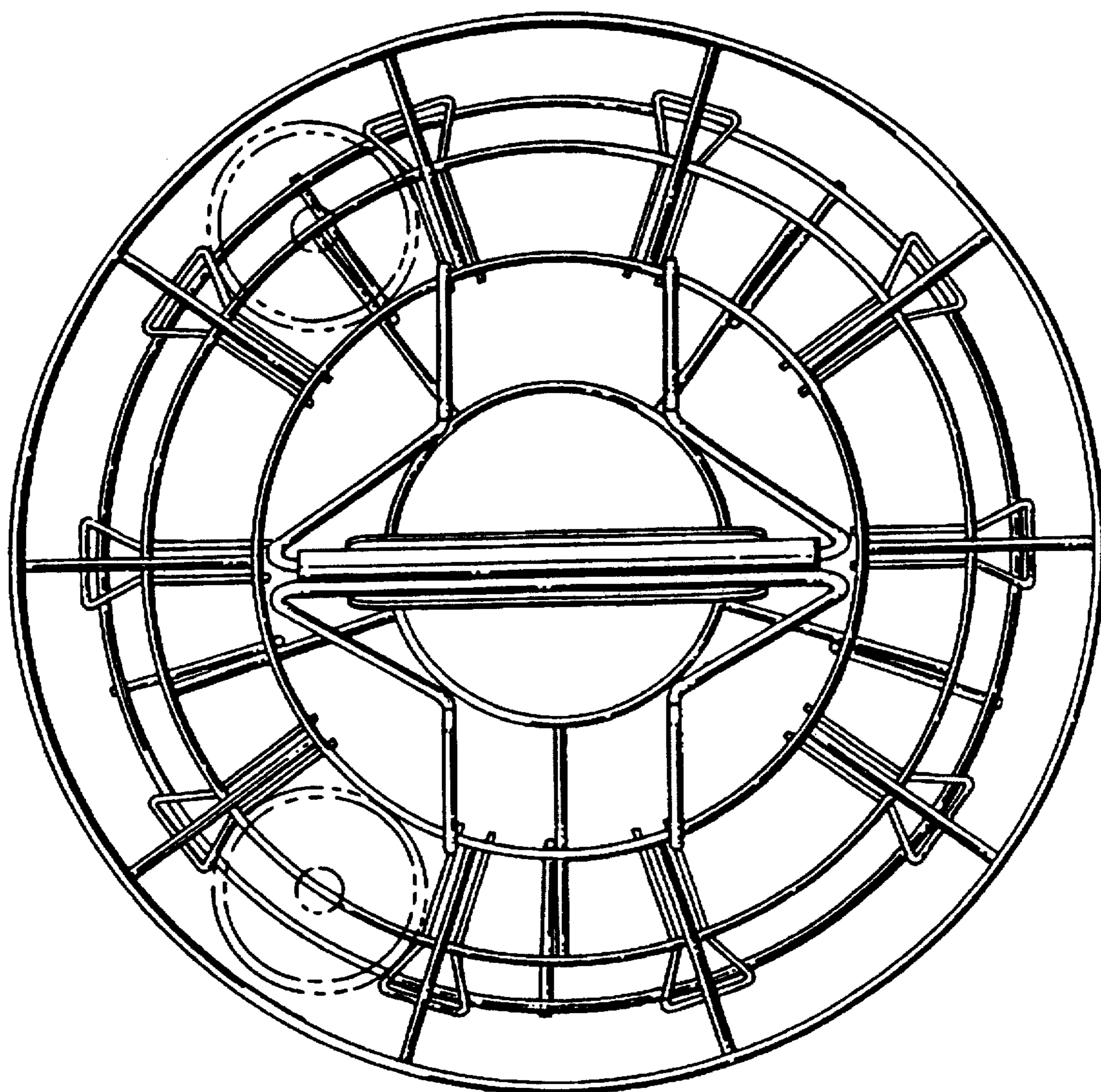


FIG. 2

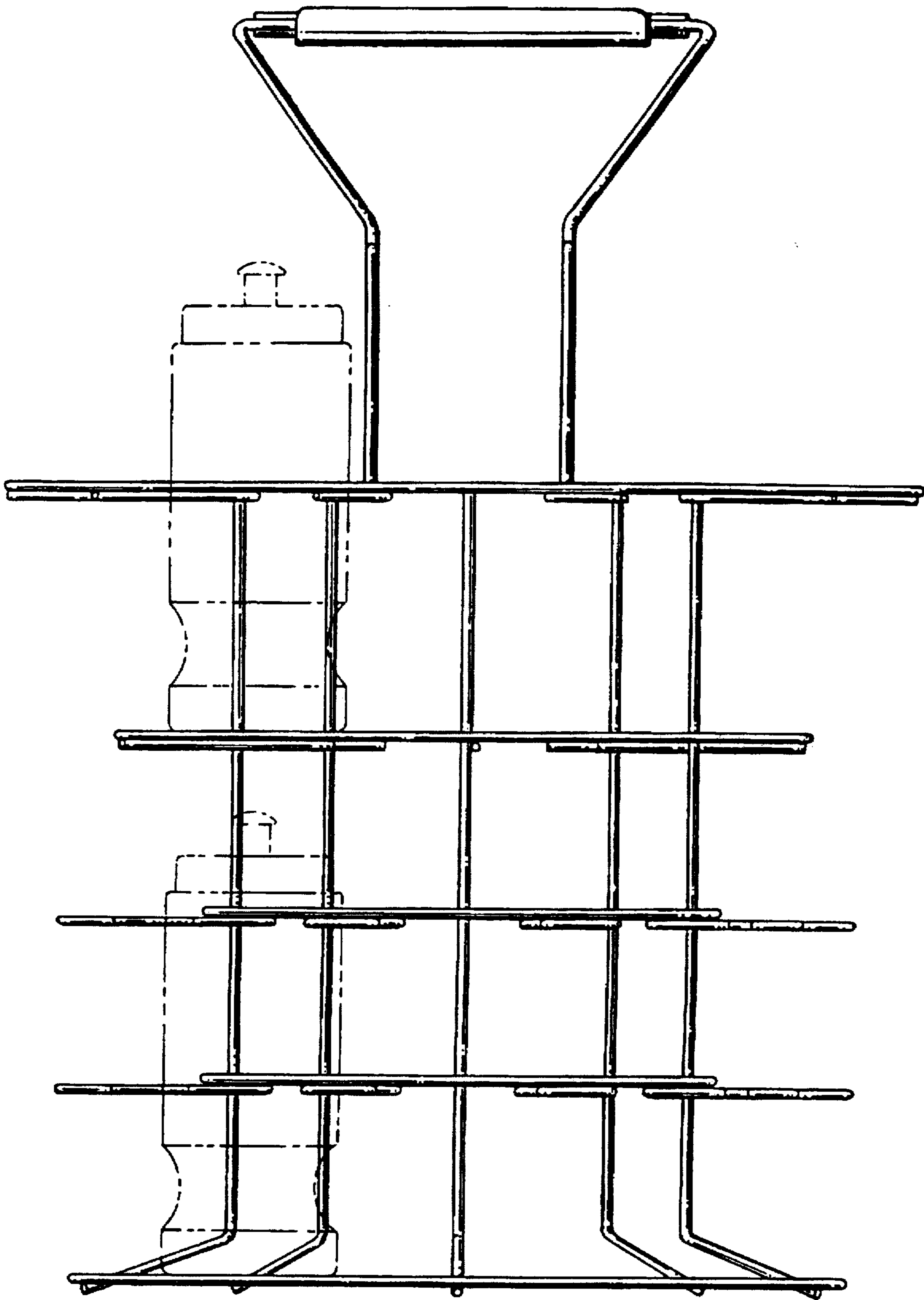


FIG. 3

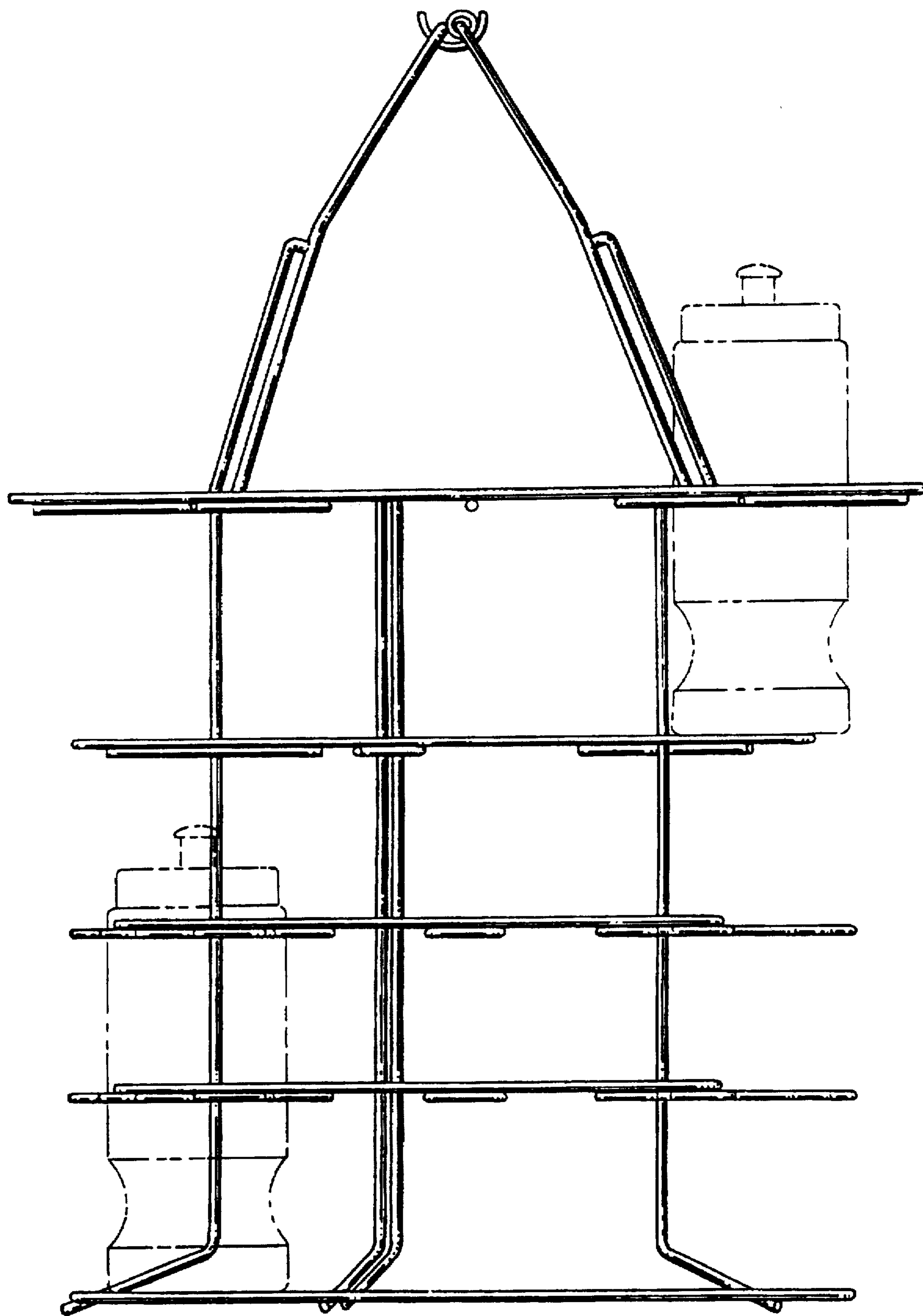


FIG. 4

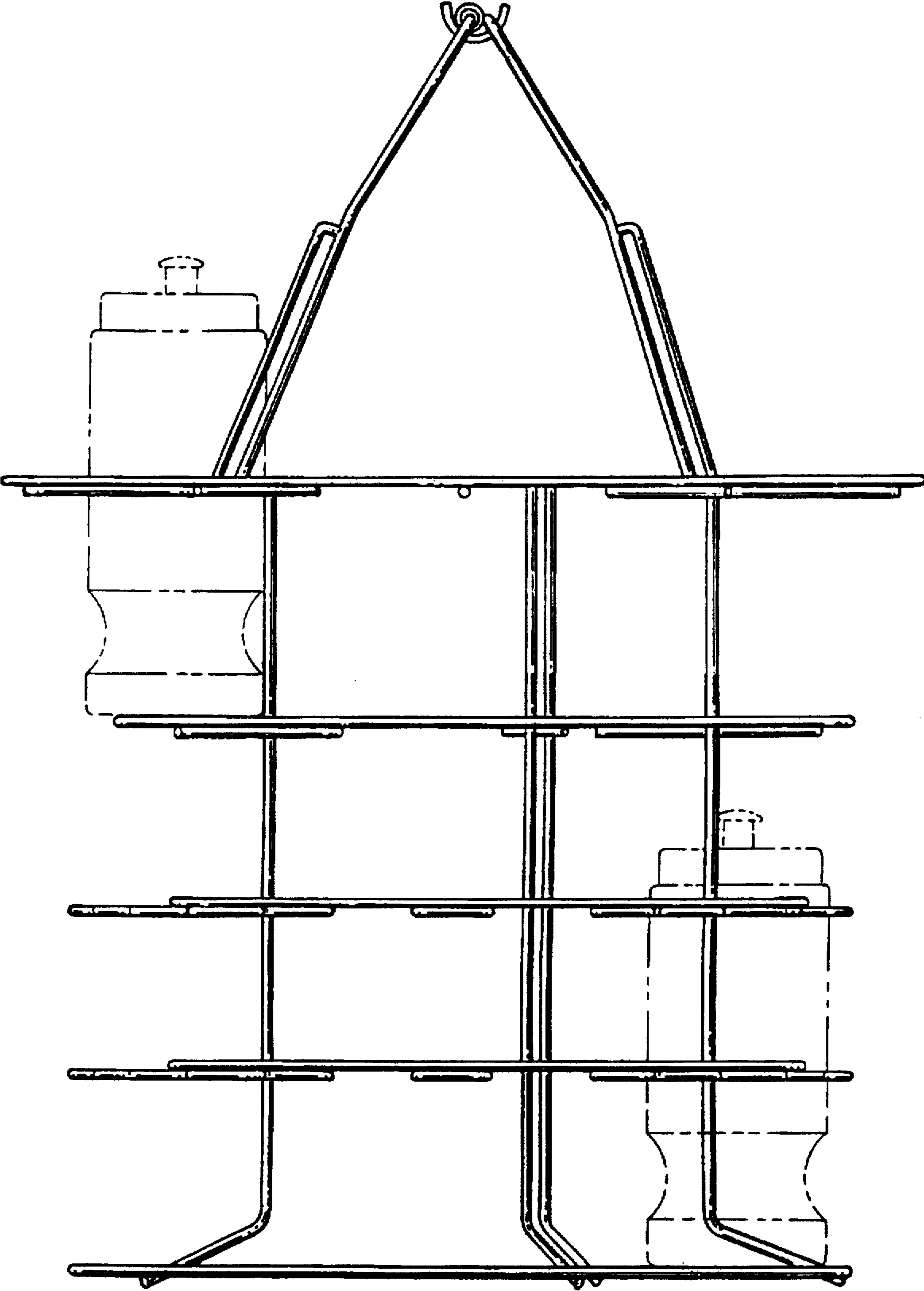


FIG. 5

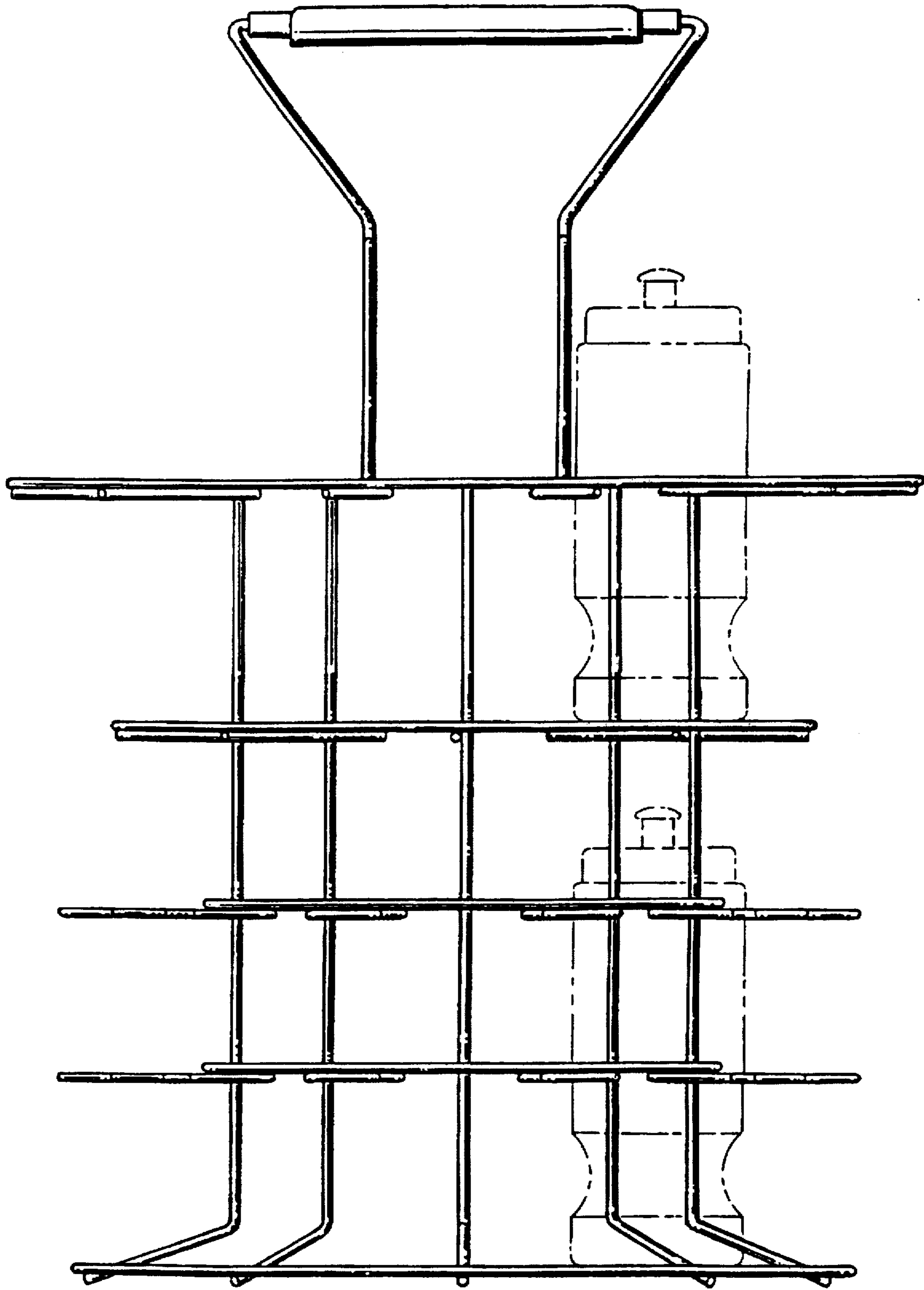


FIG. 6

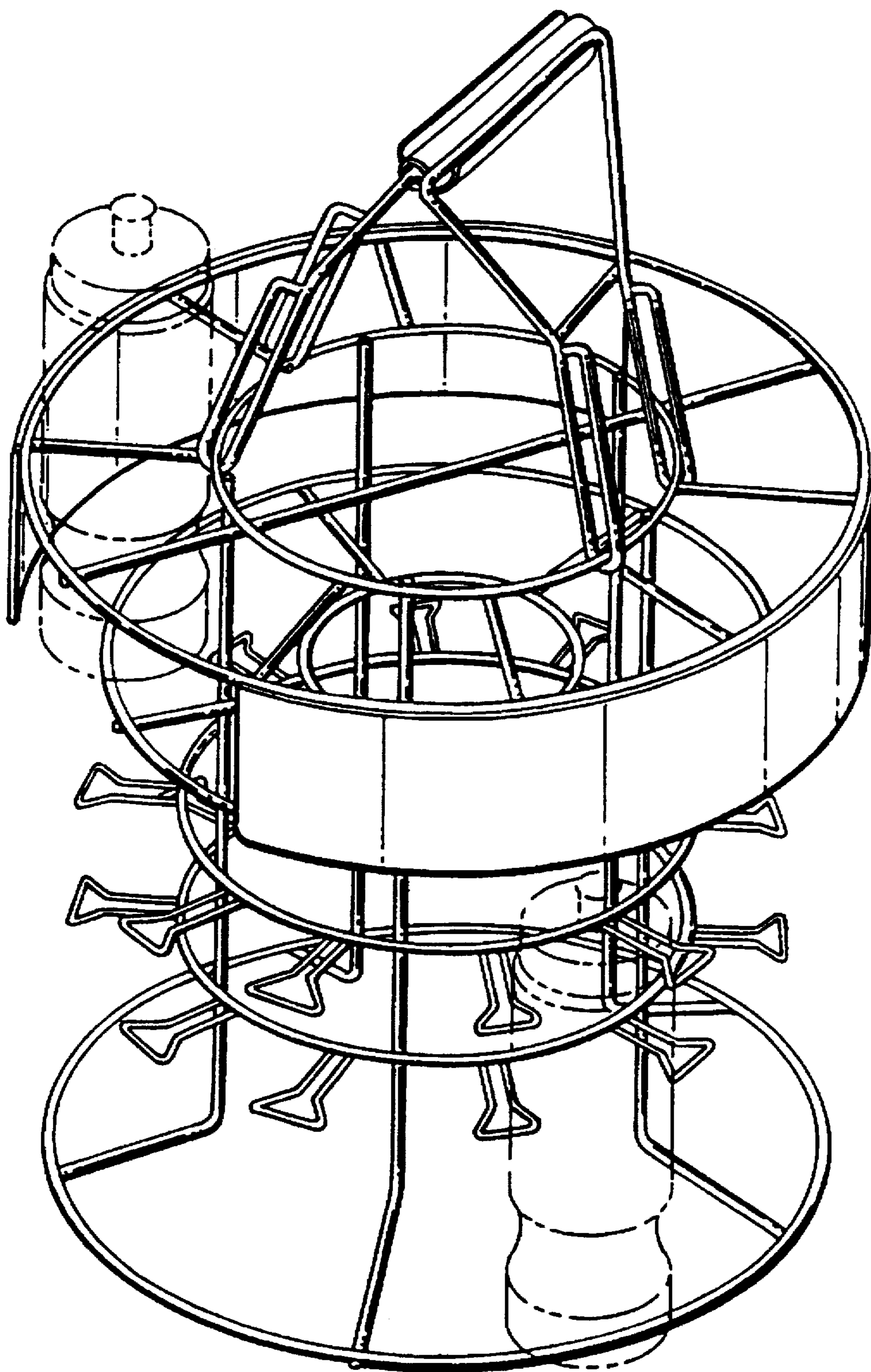


FIG. 7



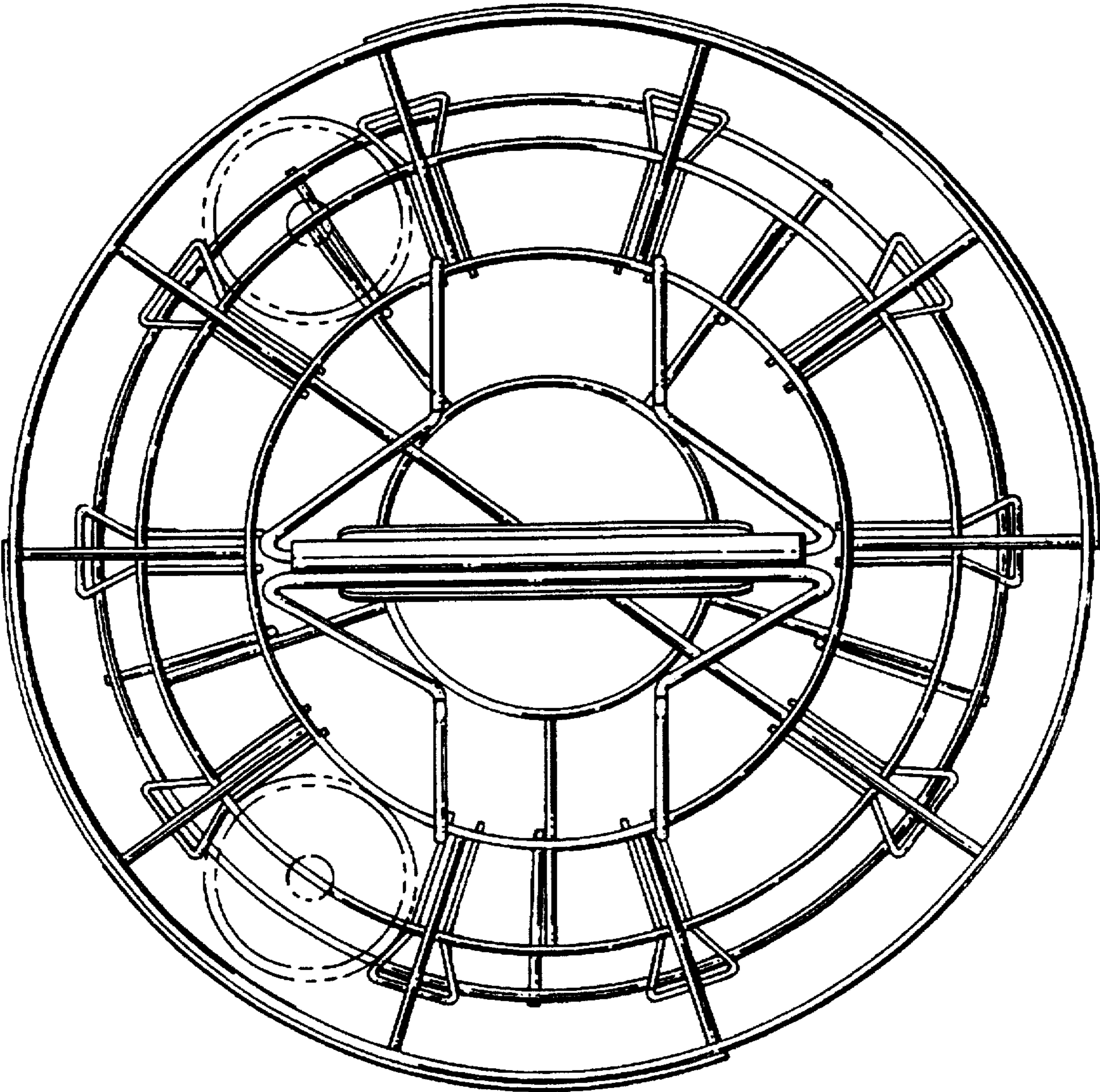


FIG. 8

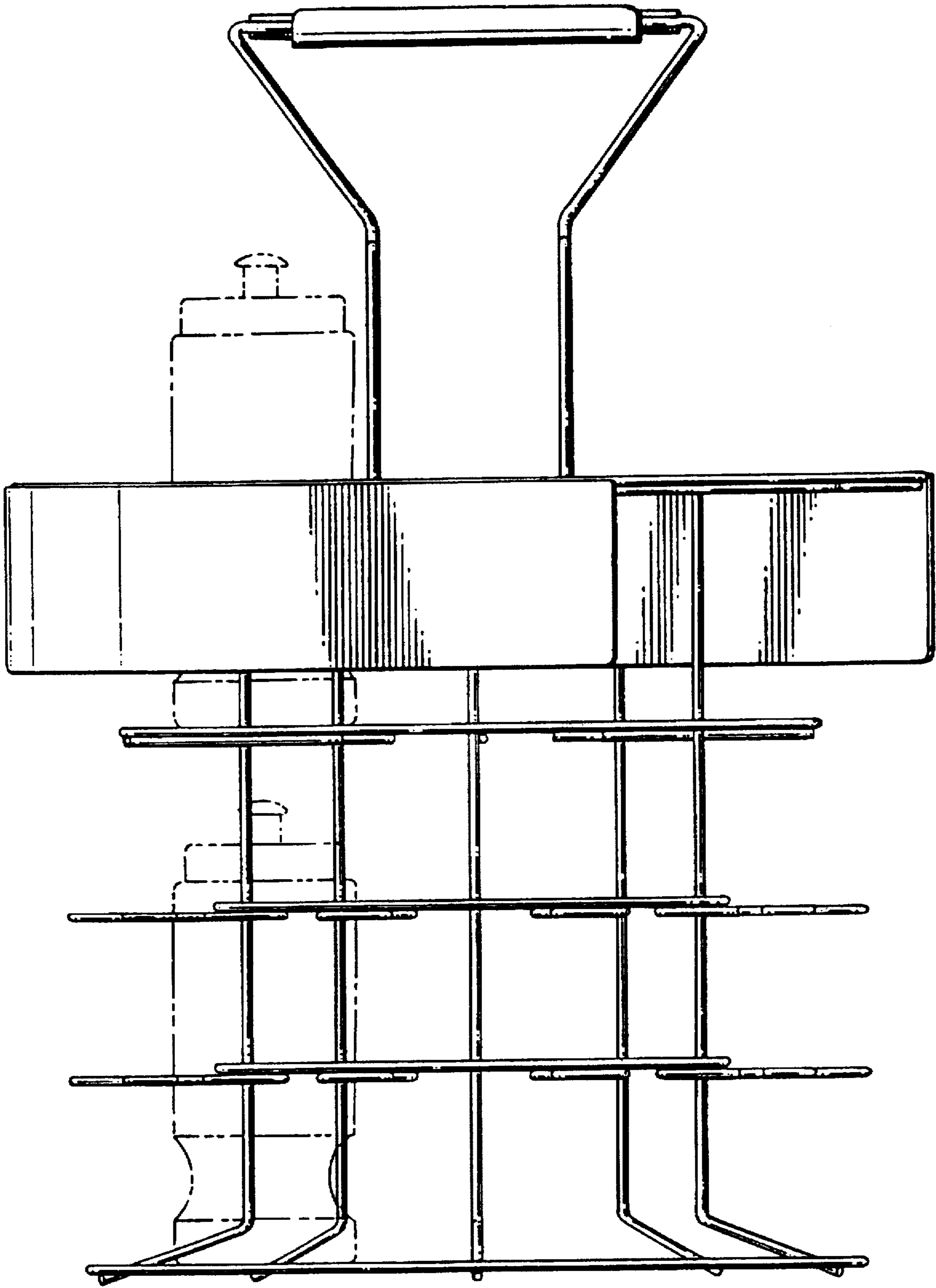


FIG. 9

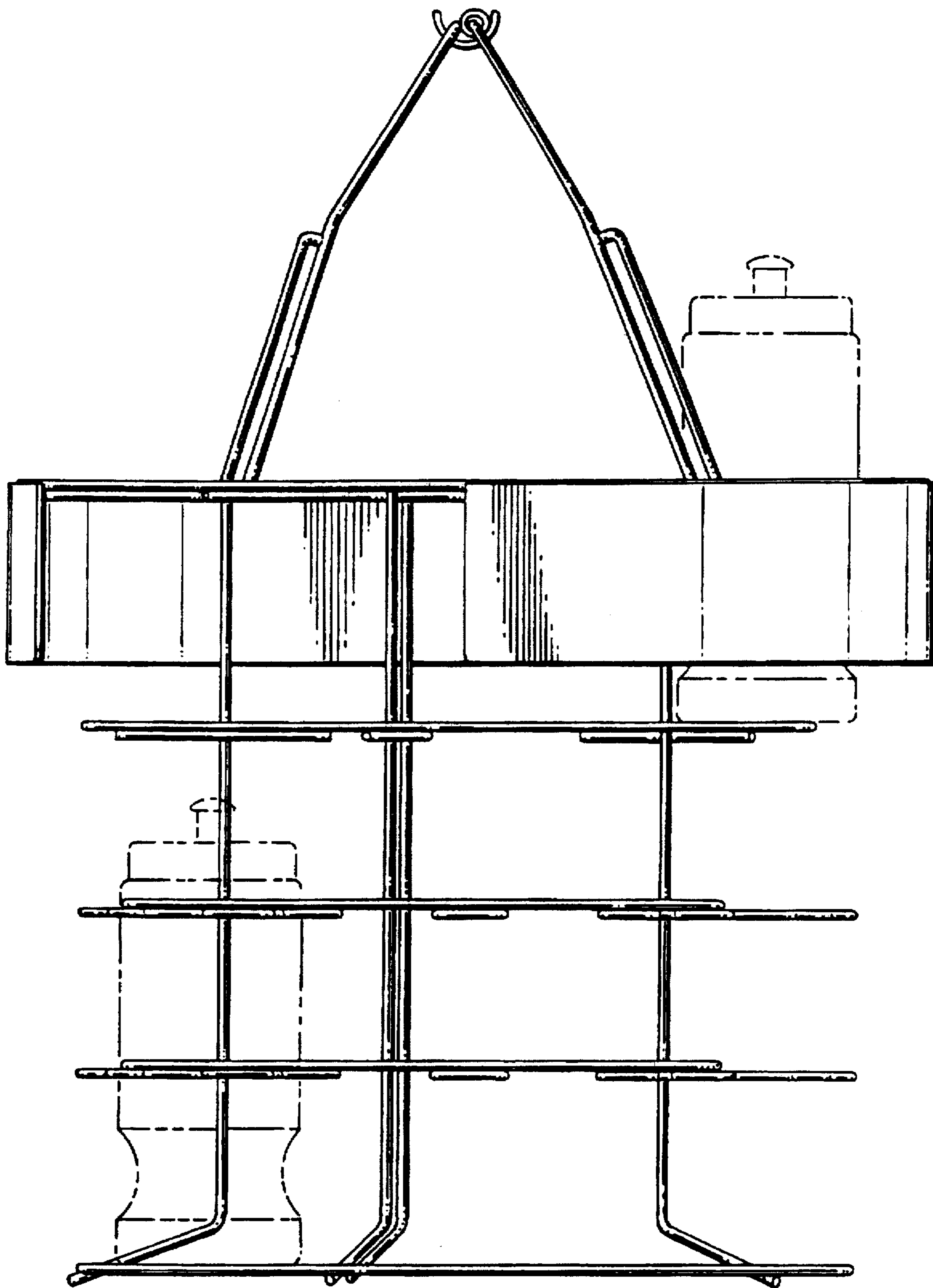


FIG. 10

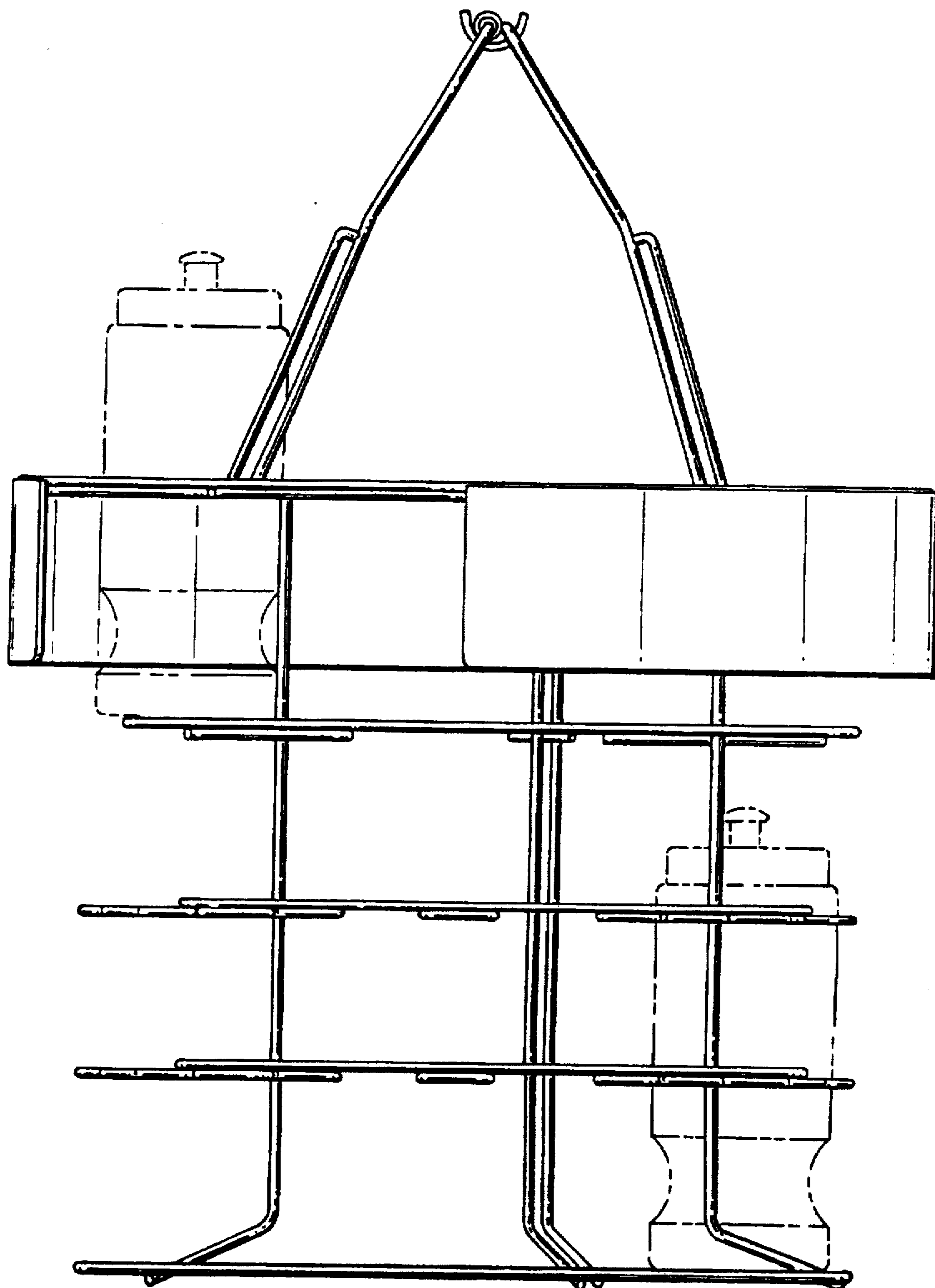


FIG. 11

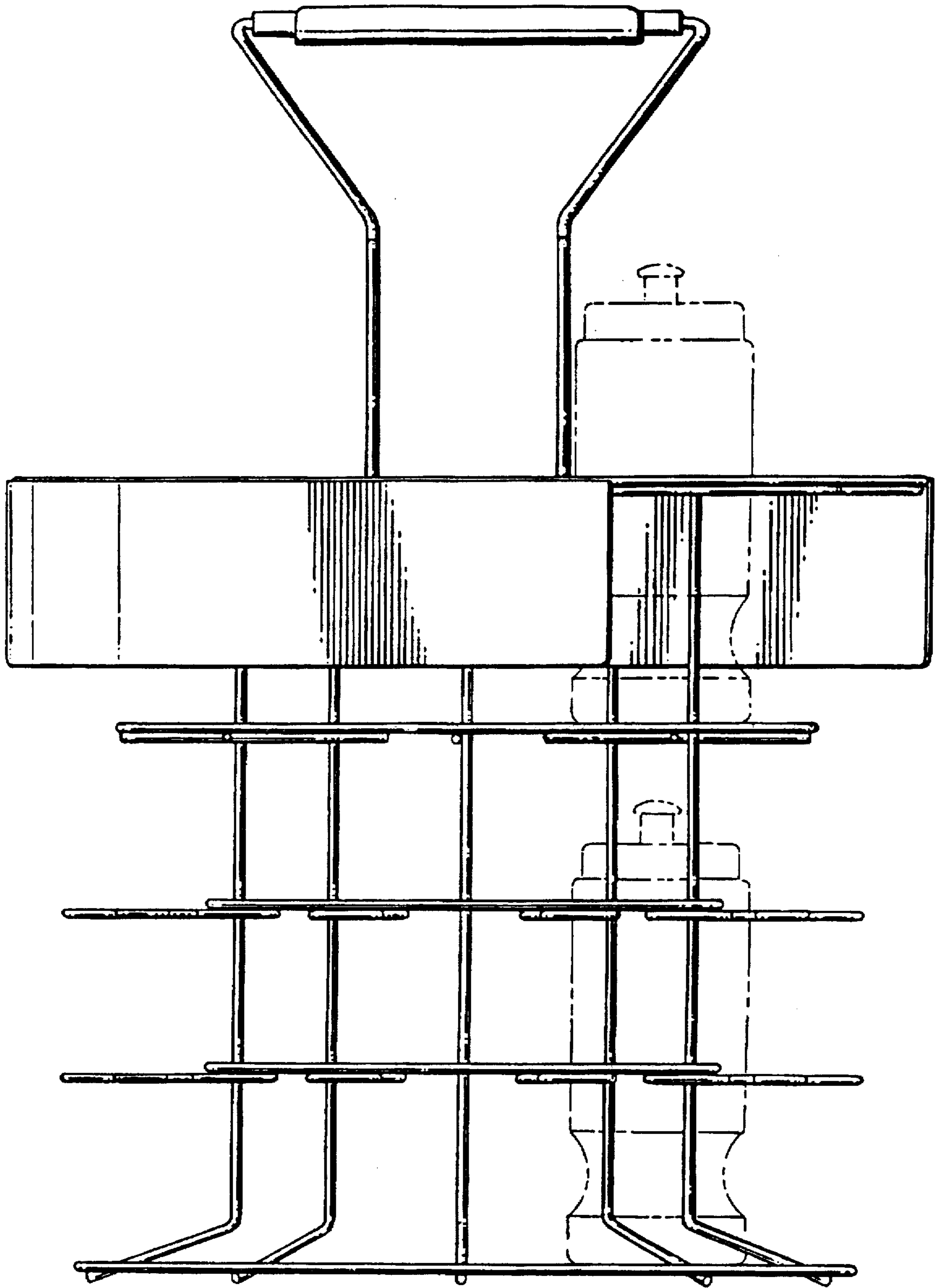


FIG. 12

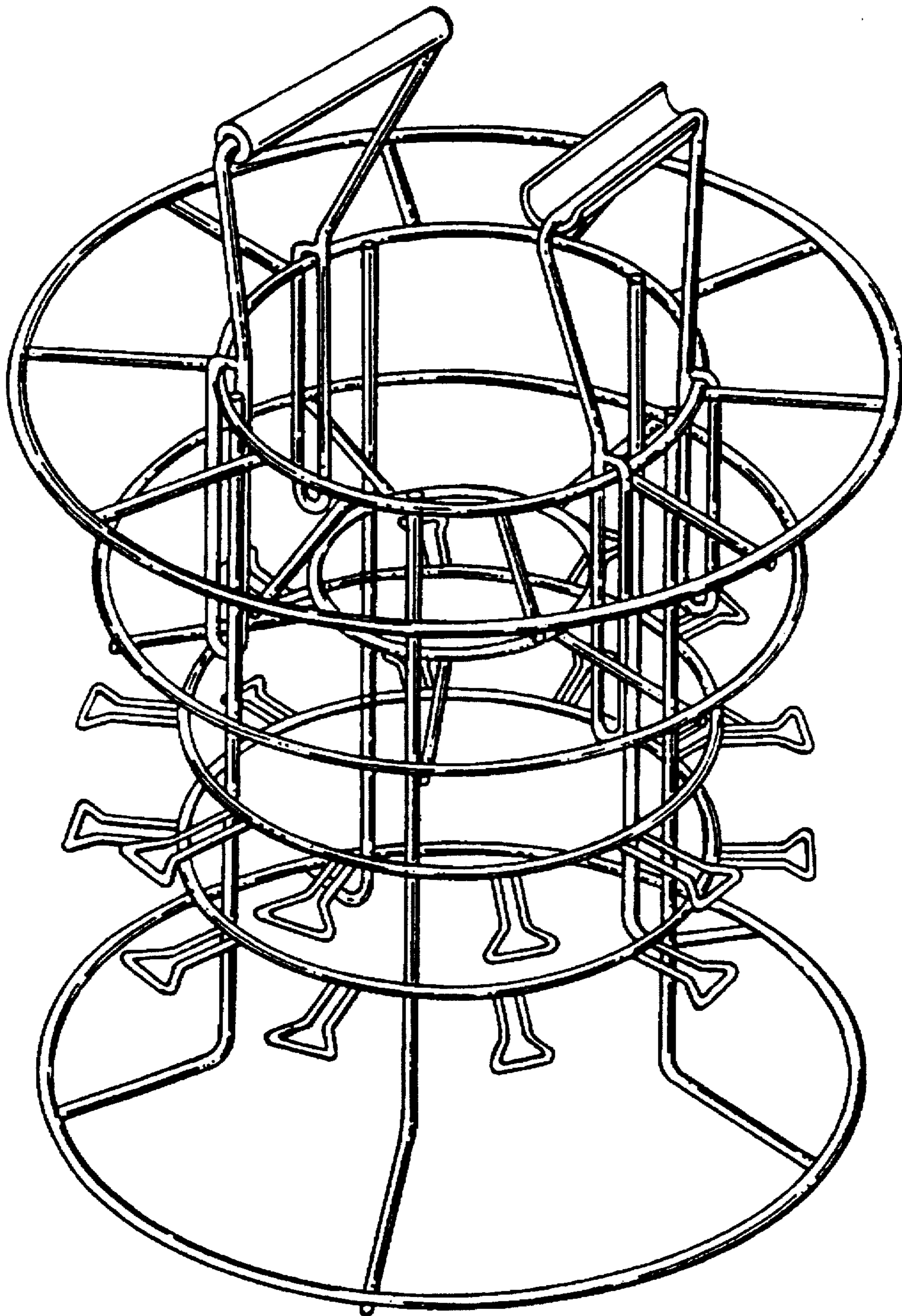


FIG. 13

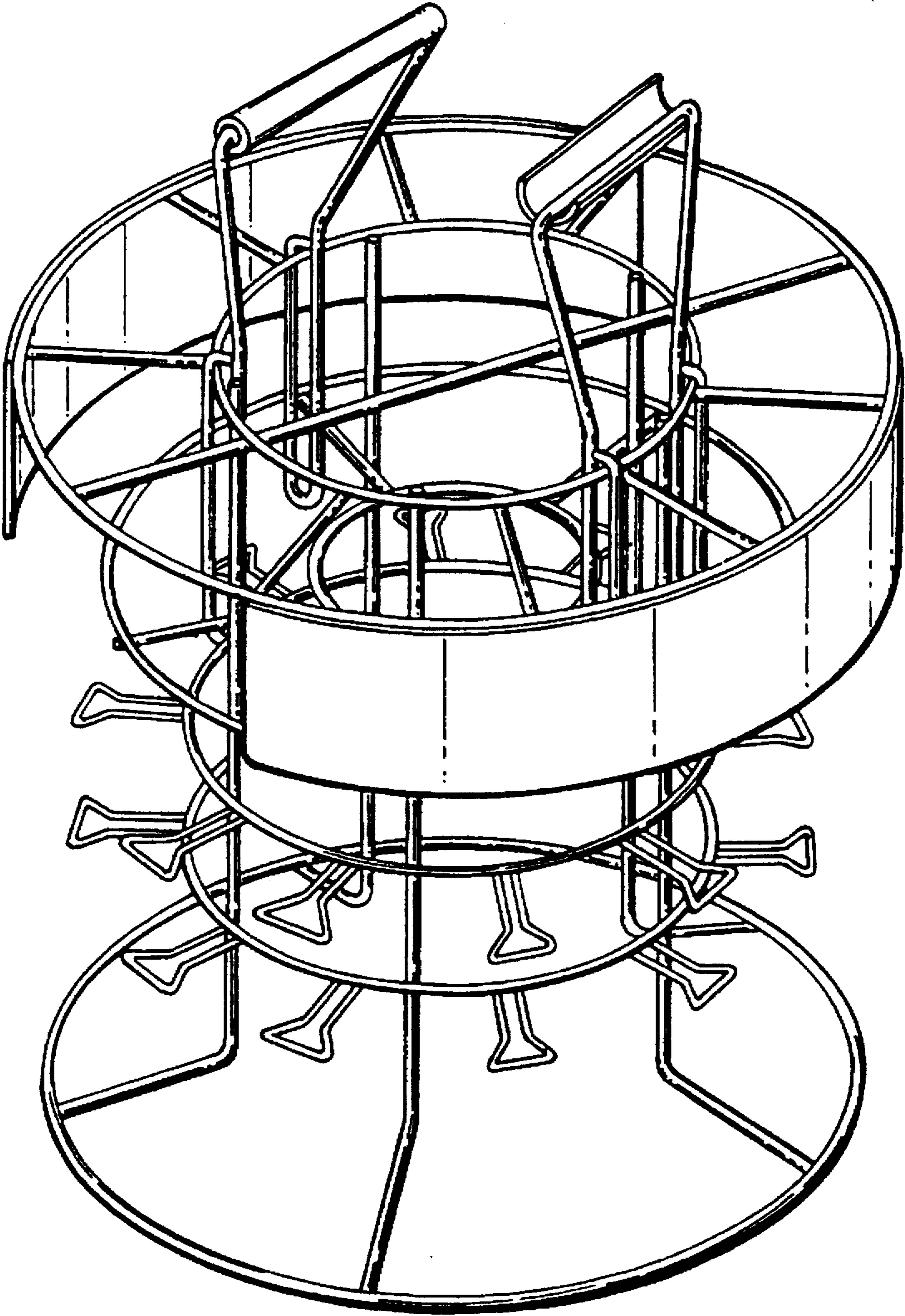


FIG. 14

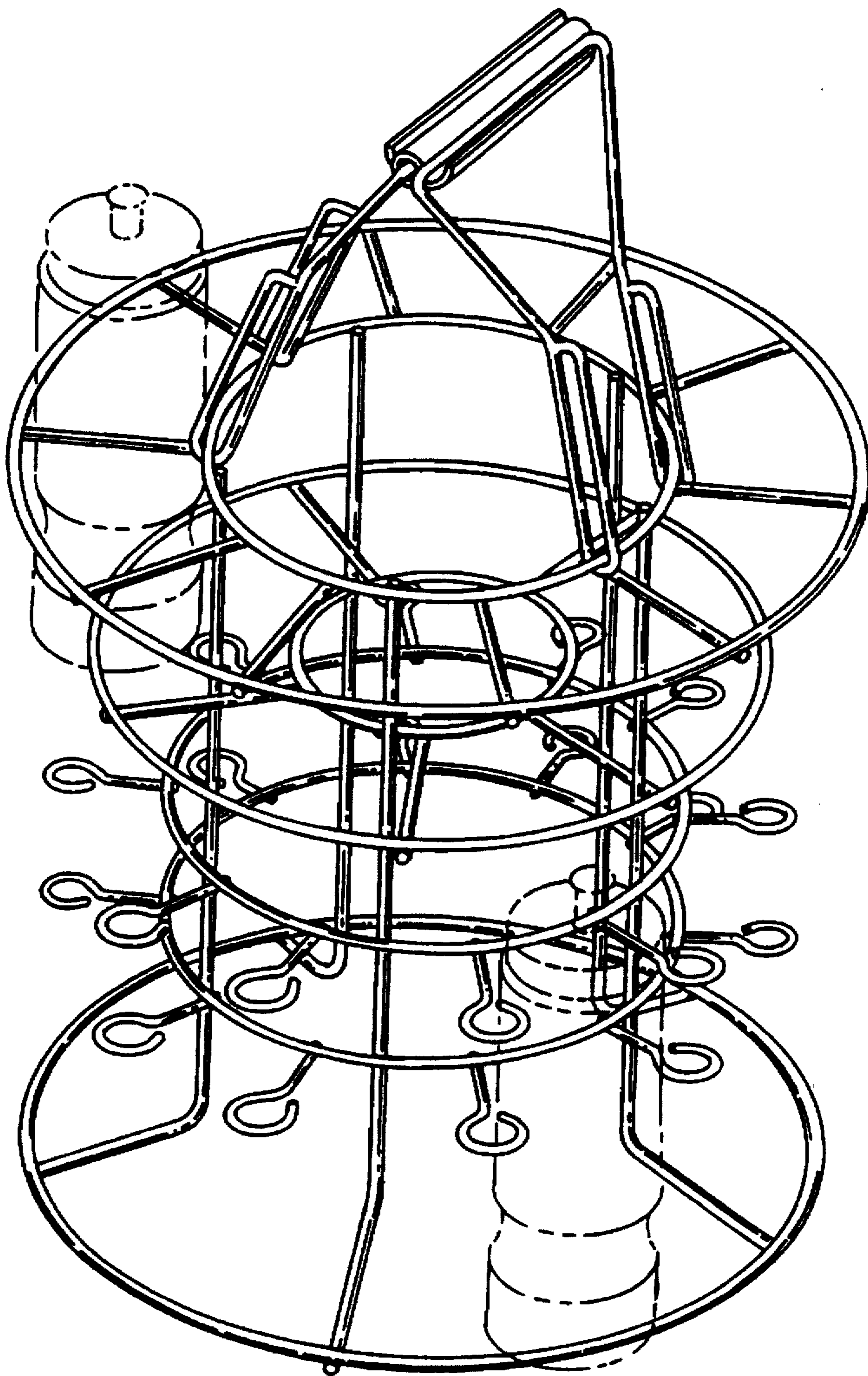


FIG. 15



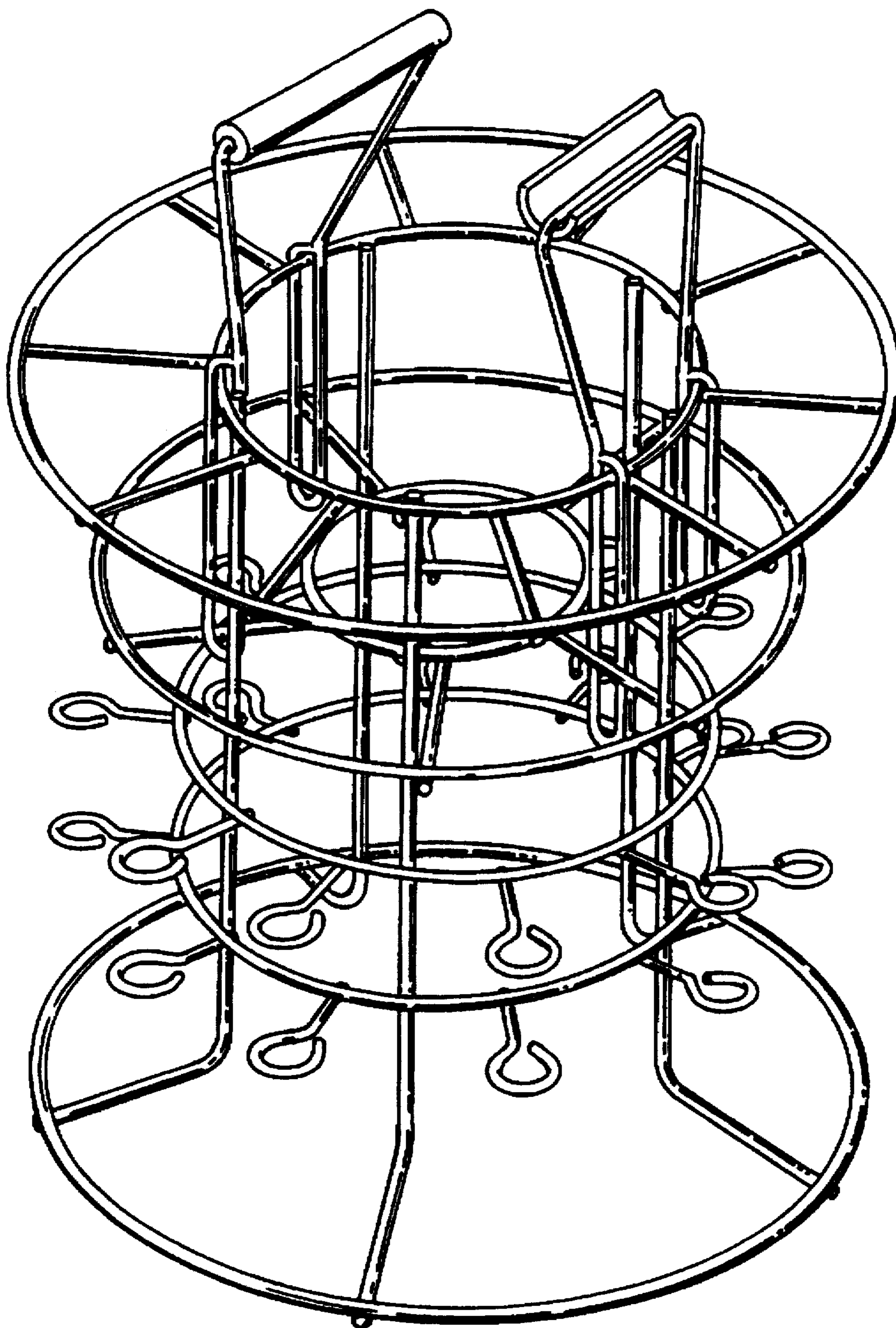


FIG. 16

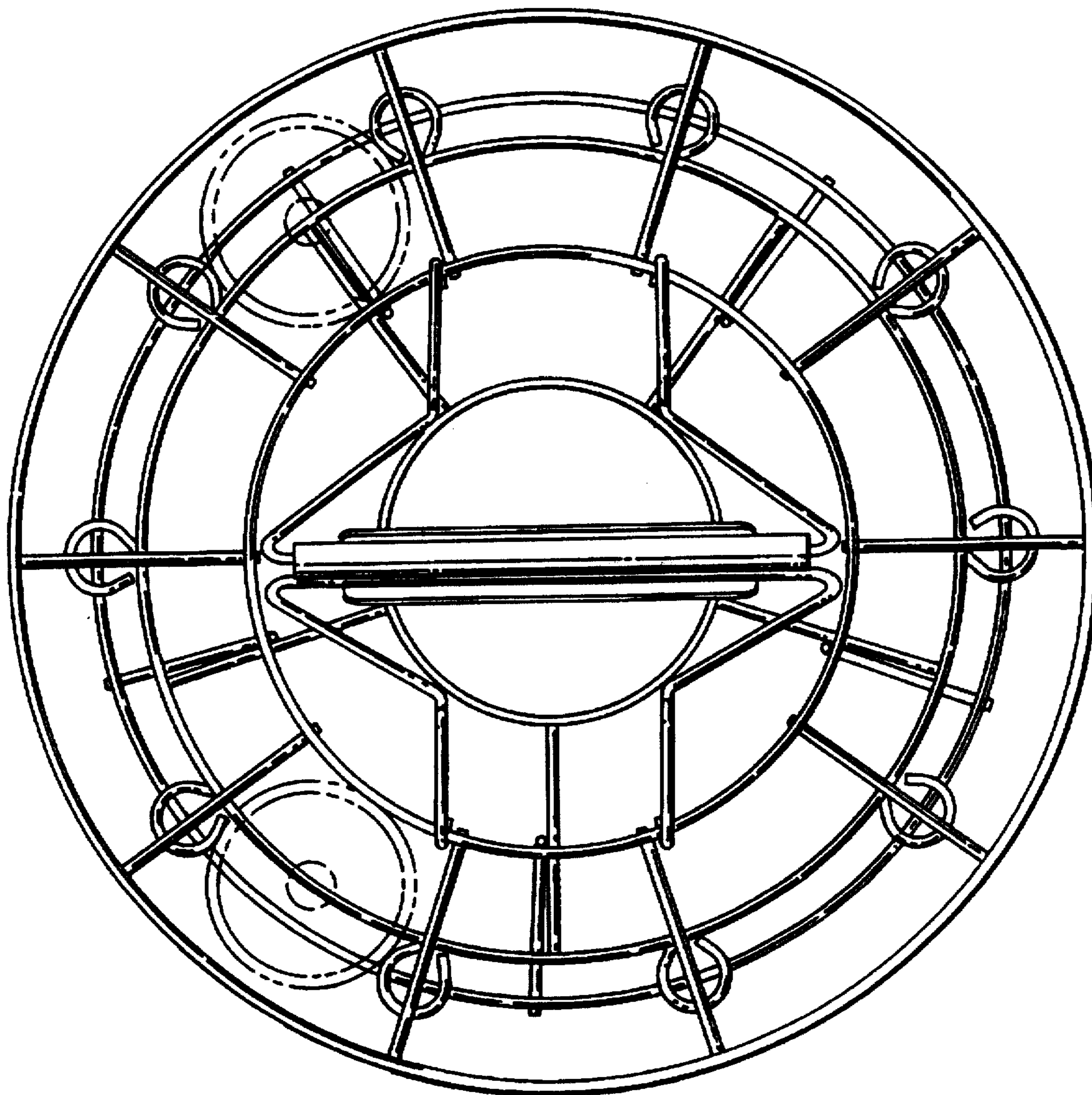


FIG. 17

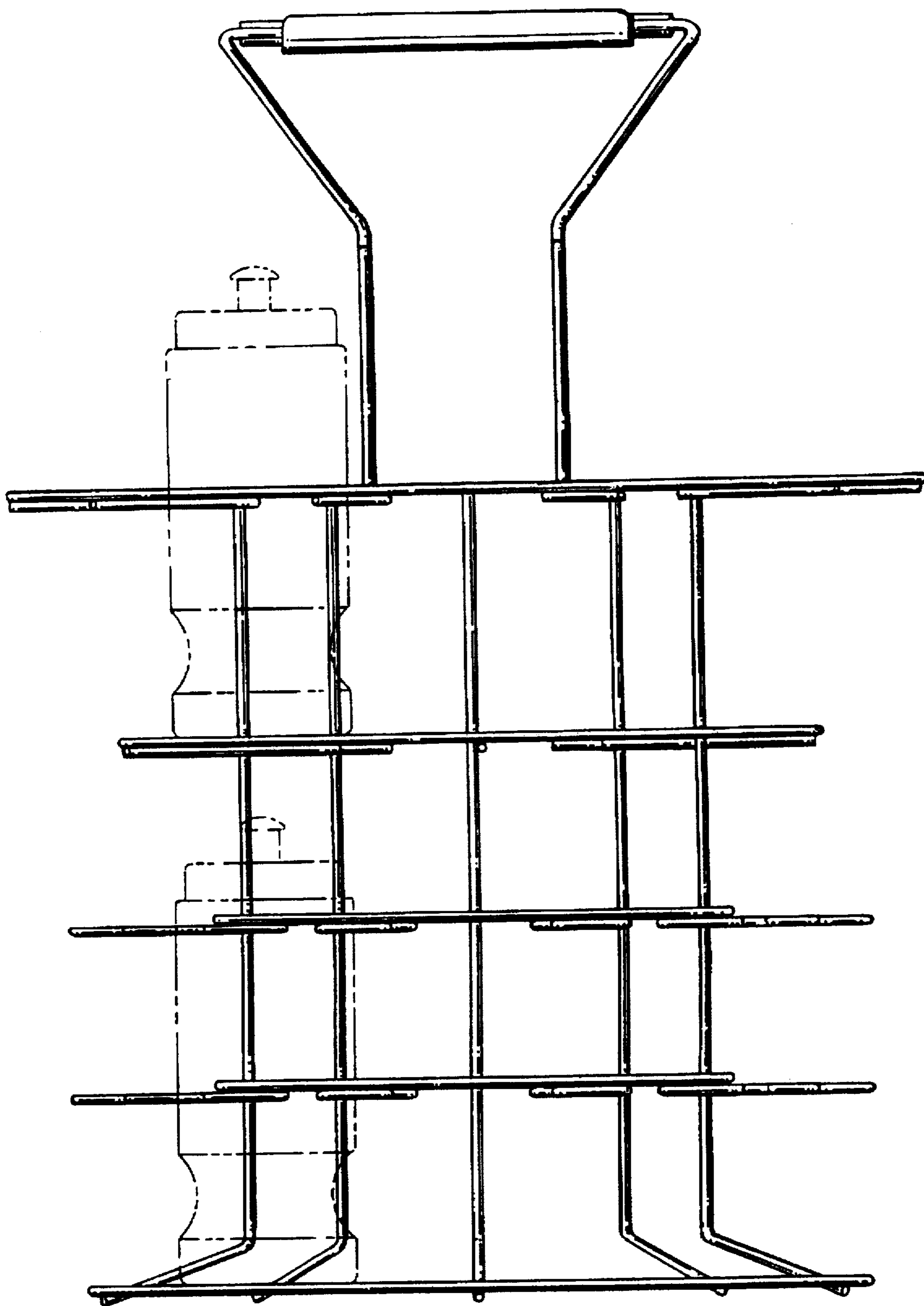


FIG. 18

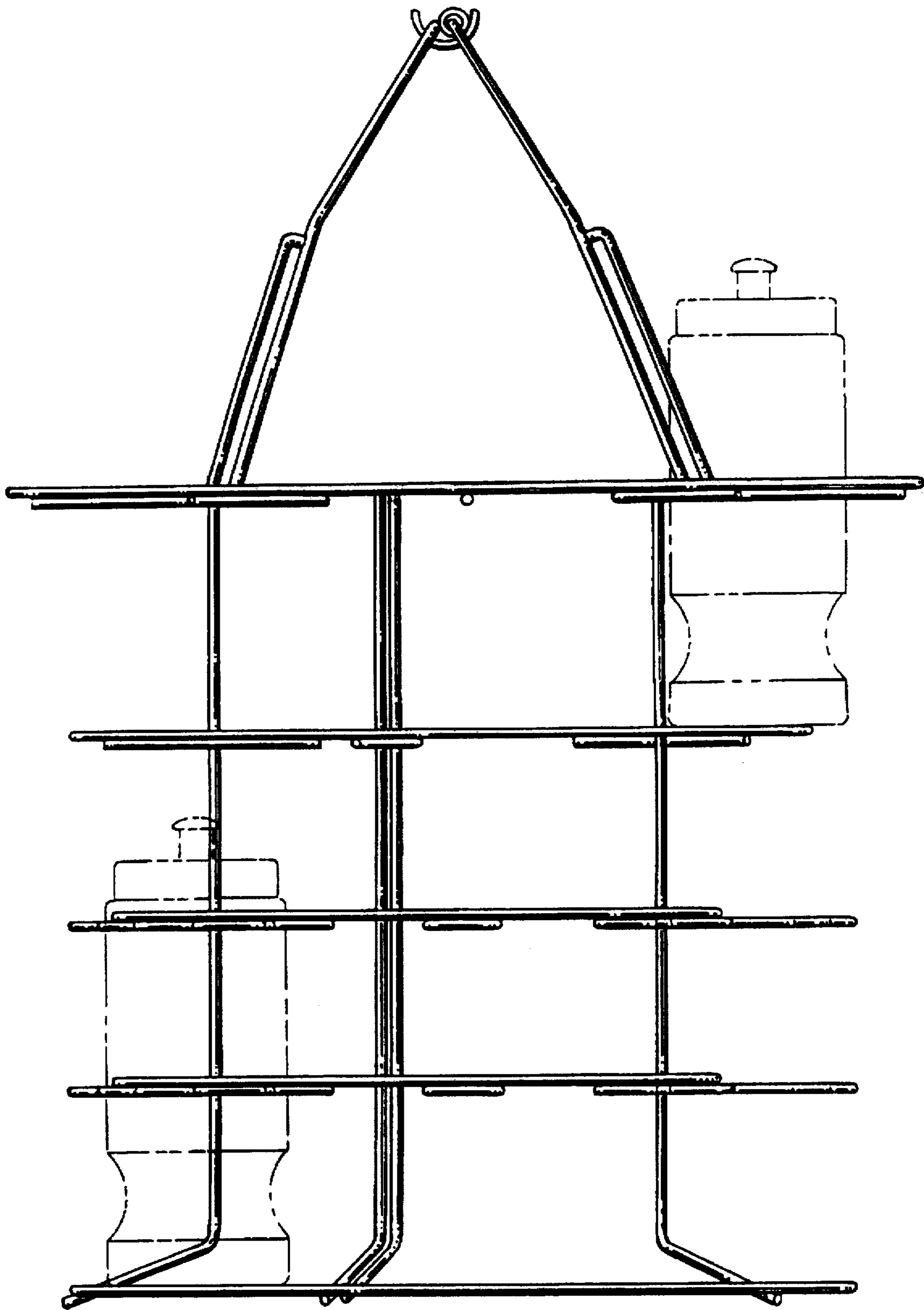


FIG. 19

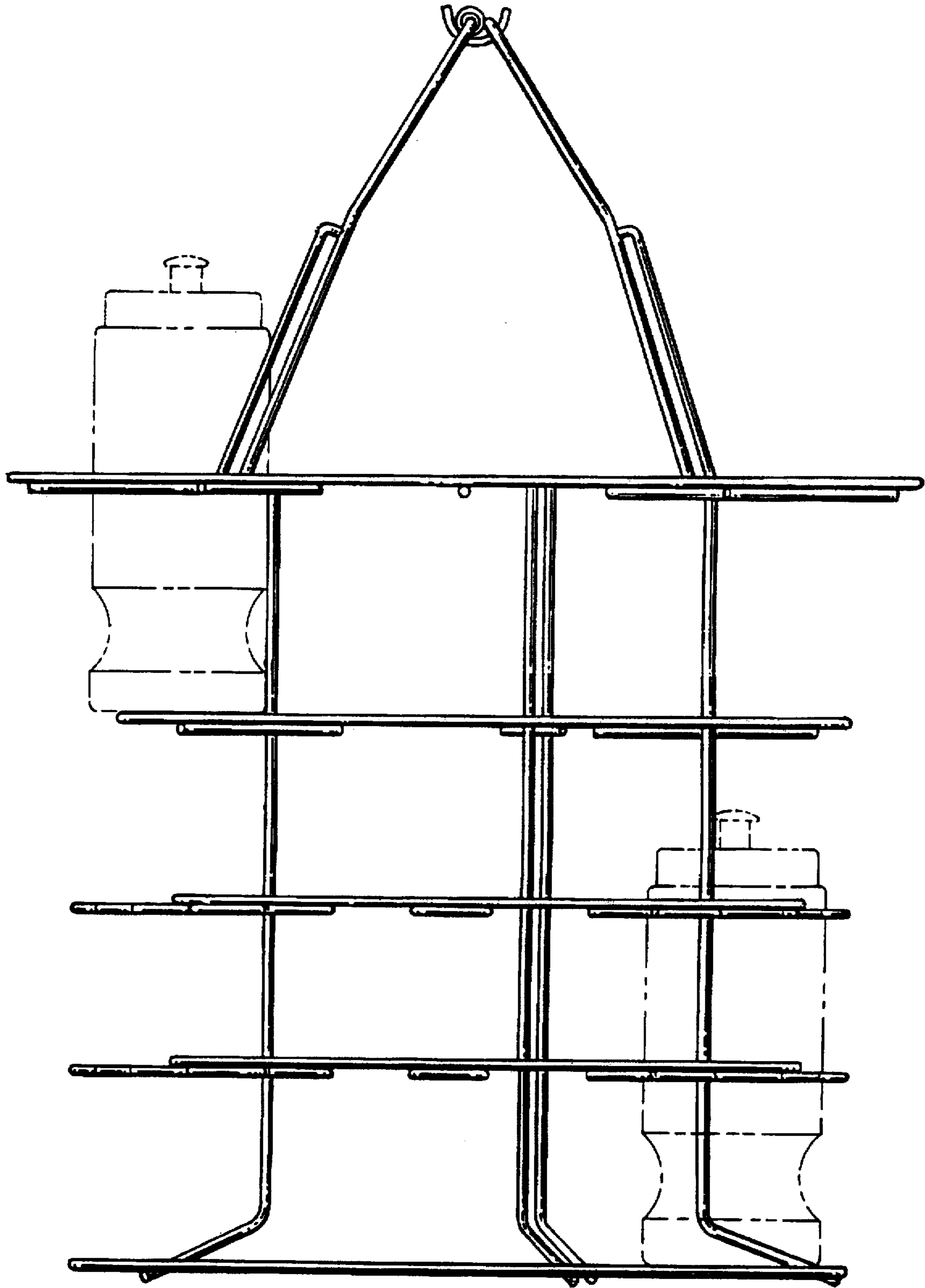


FIG. 20

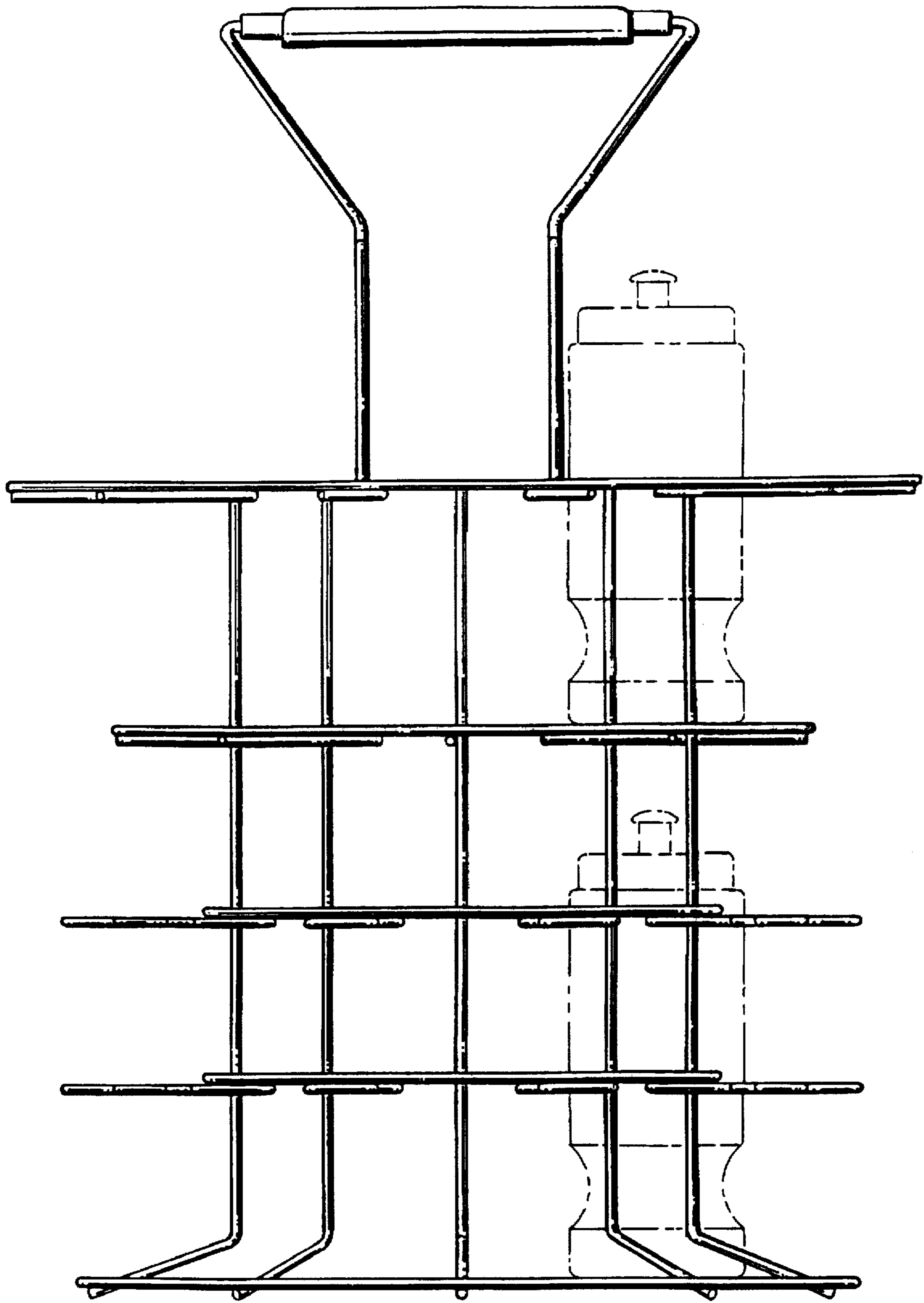


FIG. 21

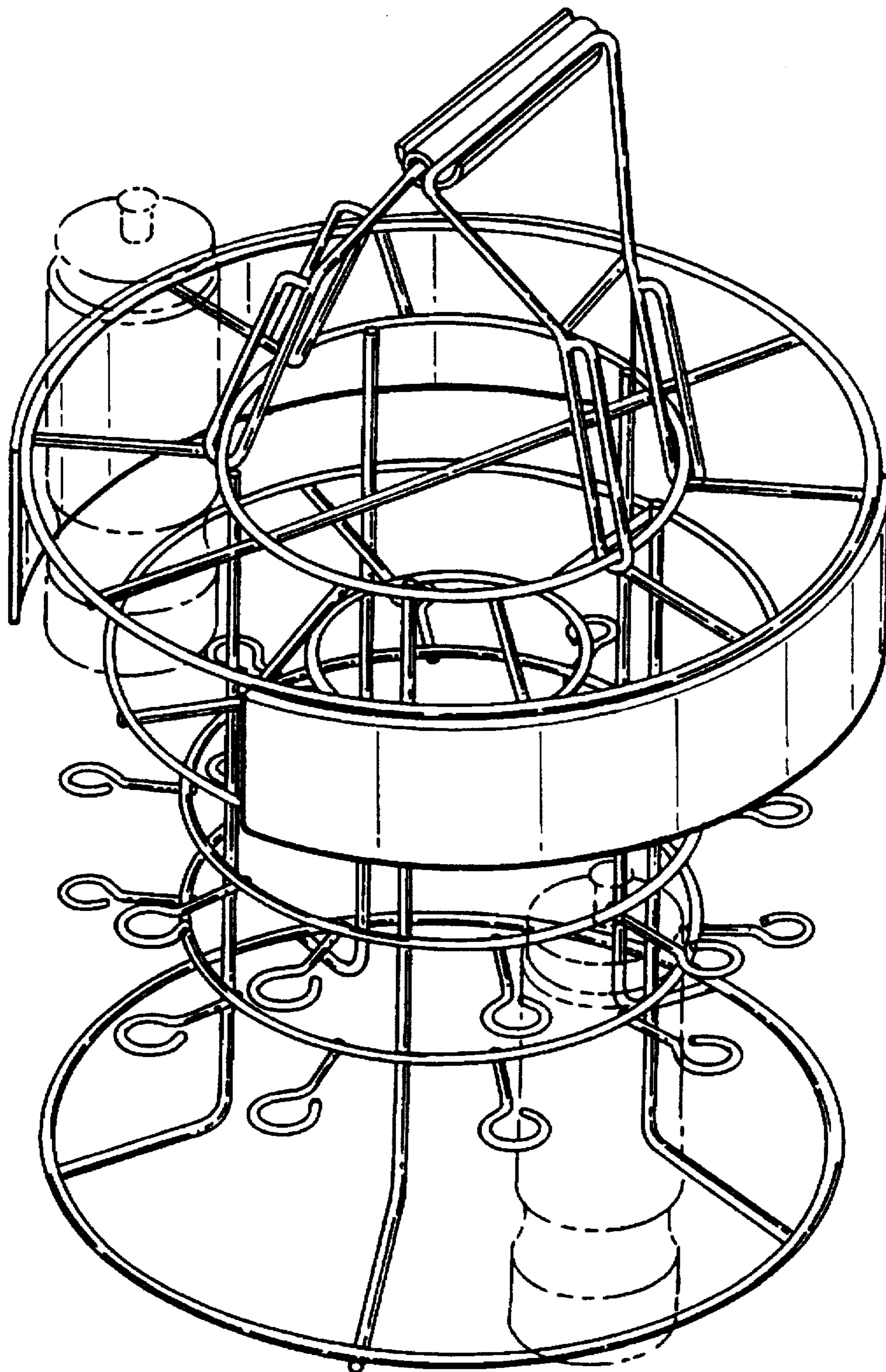


FIG. 22

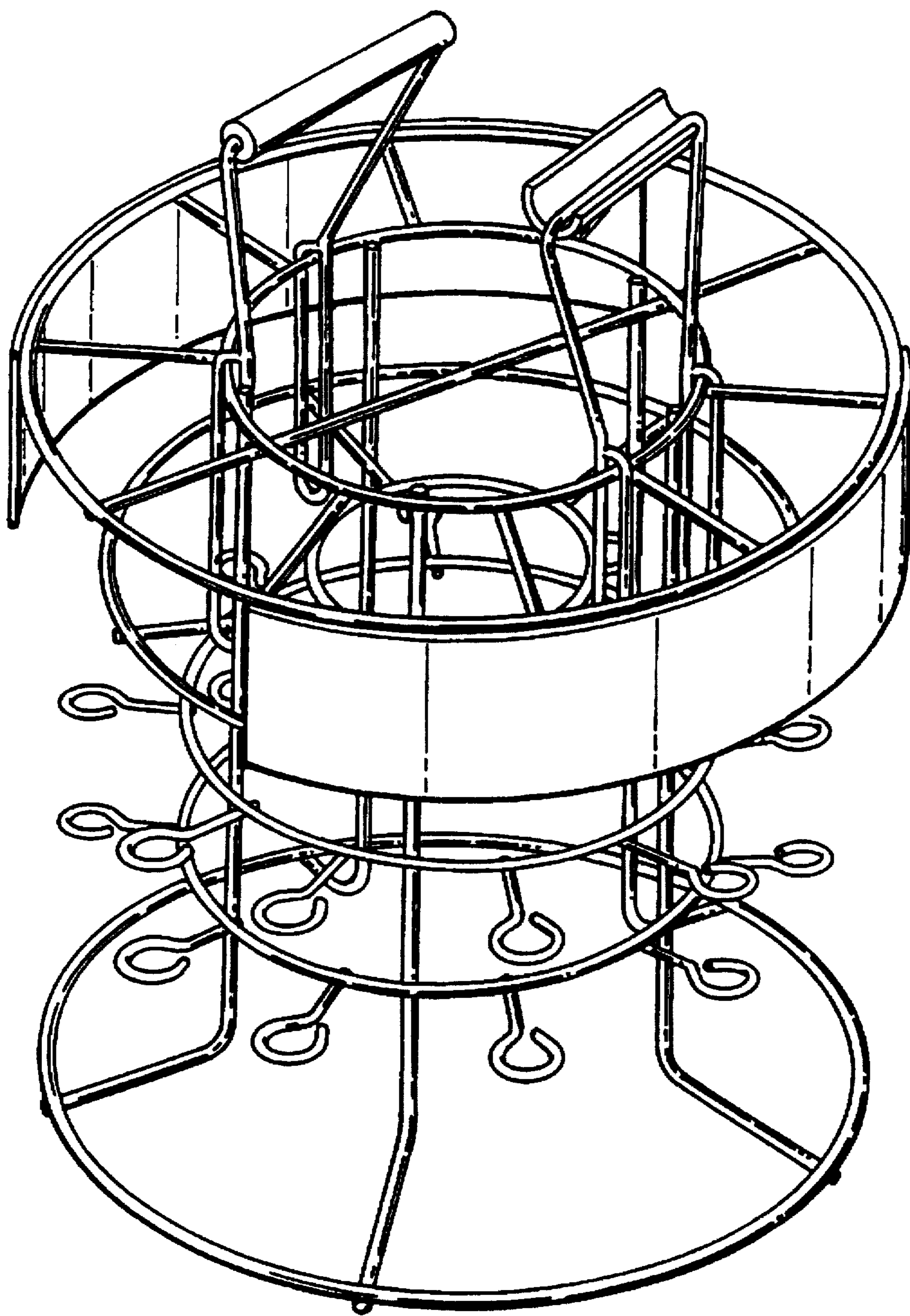


FIG. 23



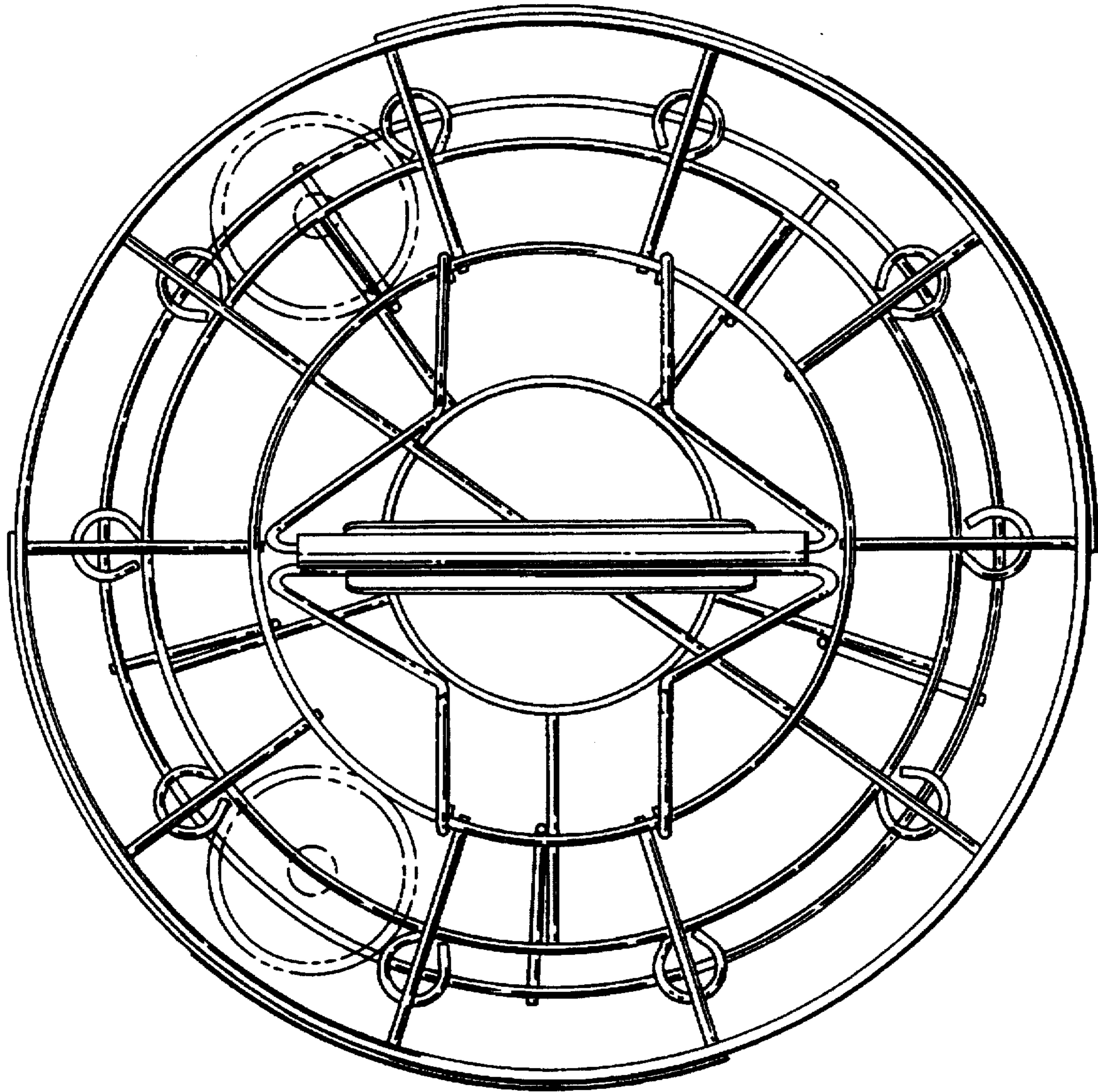


FIG. 24

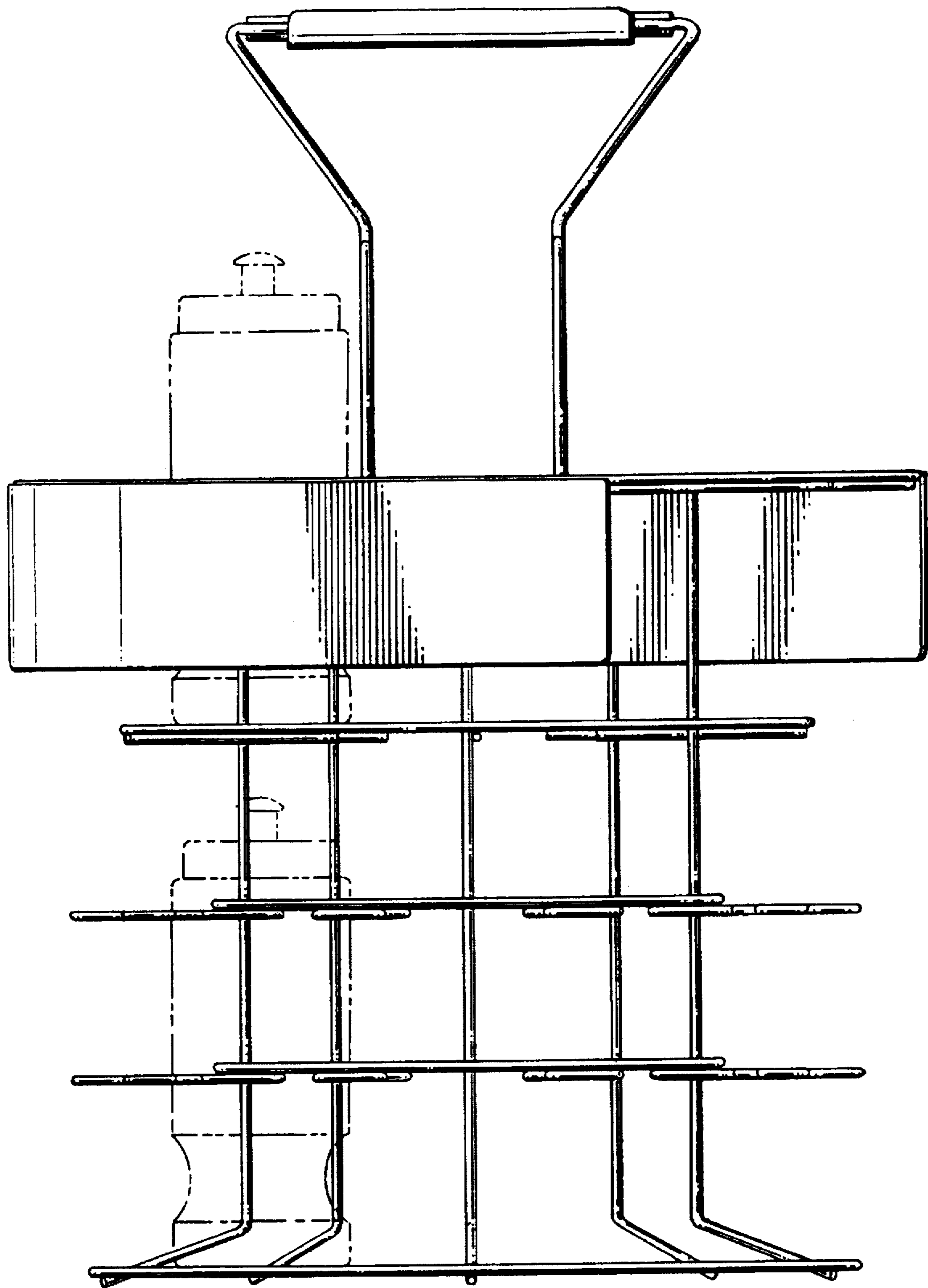


FIG. 25

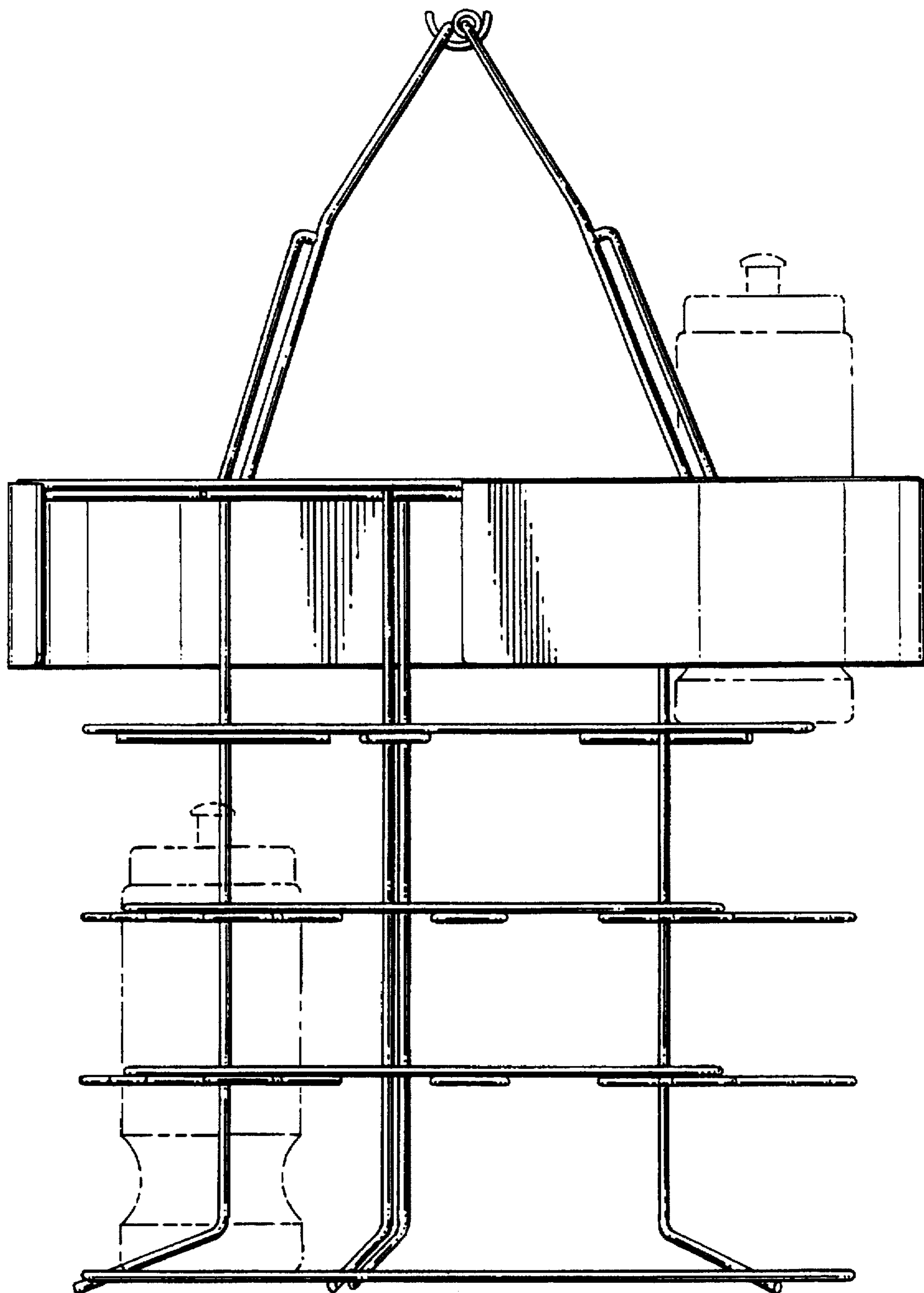


FIG. 26

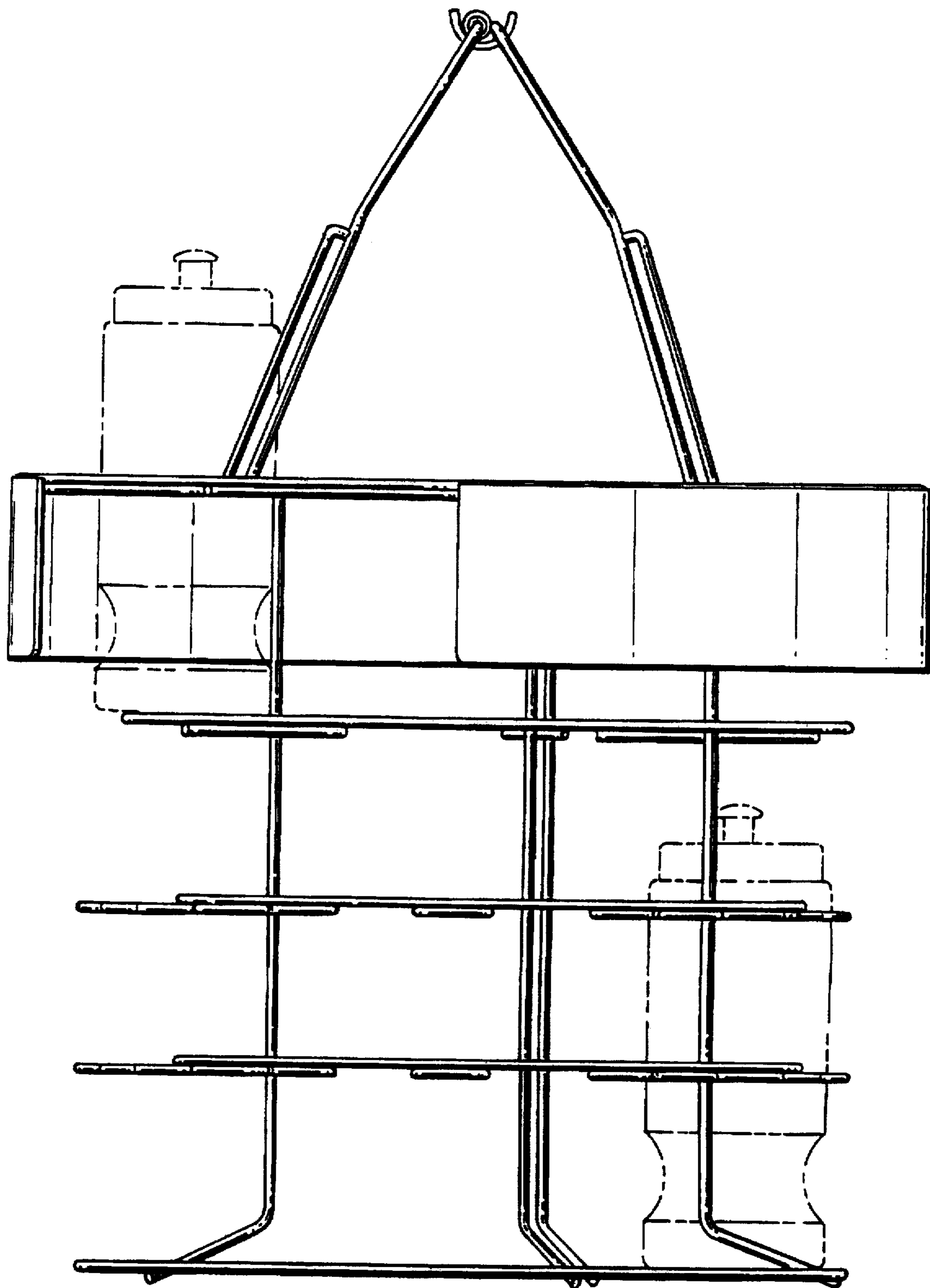


FIG. 27

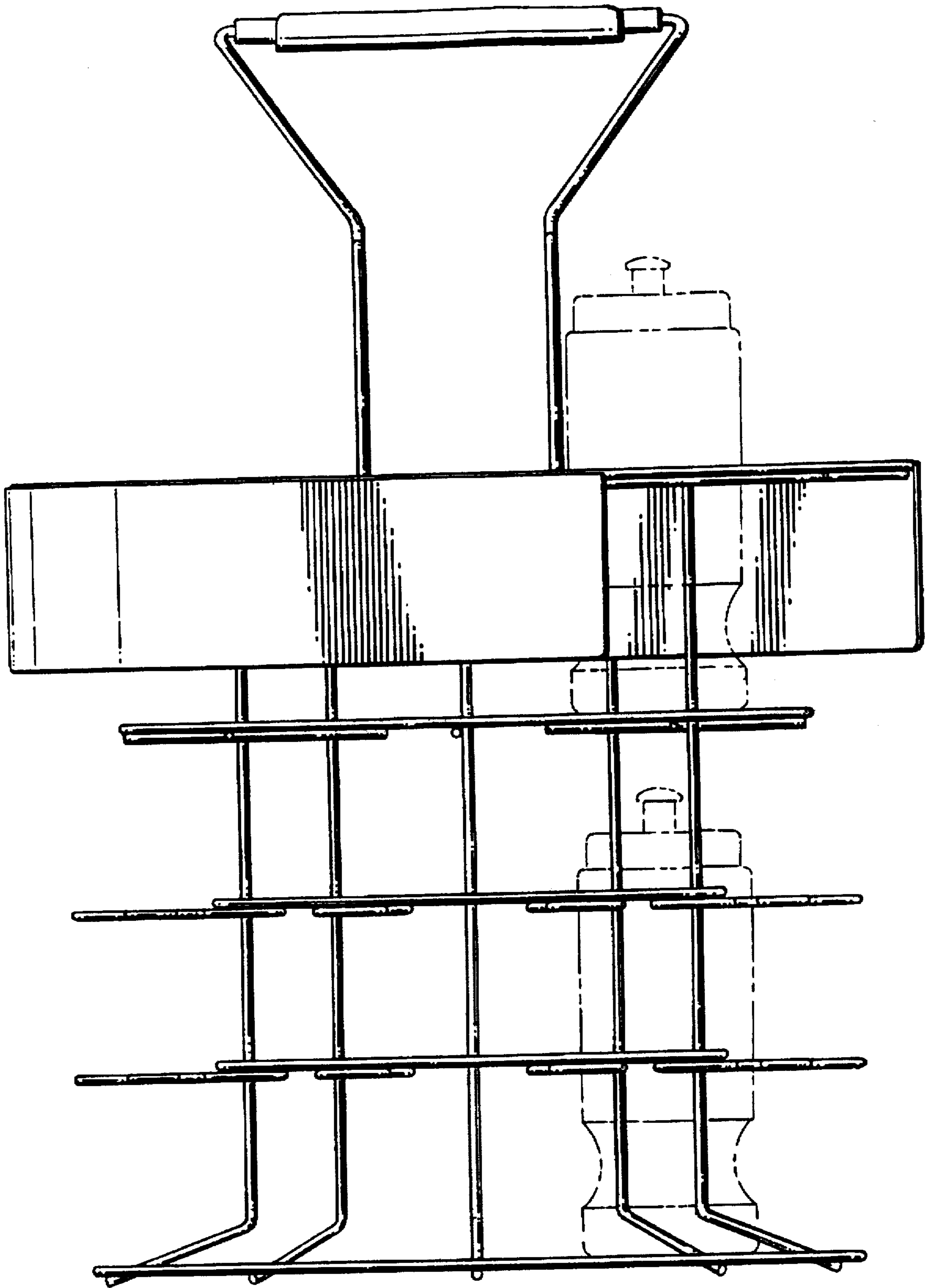


FIG. 28