



US00D392160S

**United States Patent** [19]  
**Schmidt**

[11] **Patent Number: Des. 392,160**  
[45] **Date of Patent: \*\*Mar. 17, 1998**

[54] **ATTACHABLE HANDLE**

[76] **Inventor: James L. Schmidt, P.O. Box 1269,  
Milton, Wash. 98354**

[\*\*] **Term: 14 Years**

[21] **Appl. No.: 68,289**

[22] **Filed: Mar. 26, 1997**

[51] **LOC (6) Cl. .... 07-06**

[52] **U.S. Cl. .... D7/622**

[58] **Field of Search .... D7/619, 620, 622;  
D8/107, 315; 16/114 R, 111 R; 220/737,  
740, 741, 756, 759, 483, 742; 248/309.3;  
294/27.1, 64.1**

[56] **References Cited**

**U.S. PATENT DOCUMENTS**

D. 265,279	7/1982	Wright	.....	D7/622
D. 277,080	1/1985	Gagnon	.....	D9/434
2,131,687	9/1938	Kaplan	.....	294/64

3,979,011	9/1976	Schleicher	.....	220/742
5,203,471	4/1993	Widman	.....	220/755
5,484,081	1/1996	Jahn	.....	220/759

*Primary Examiner*—Terry A. Wallace  
*Attorney, Agent, or Firm*—David L. Volk

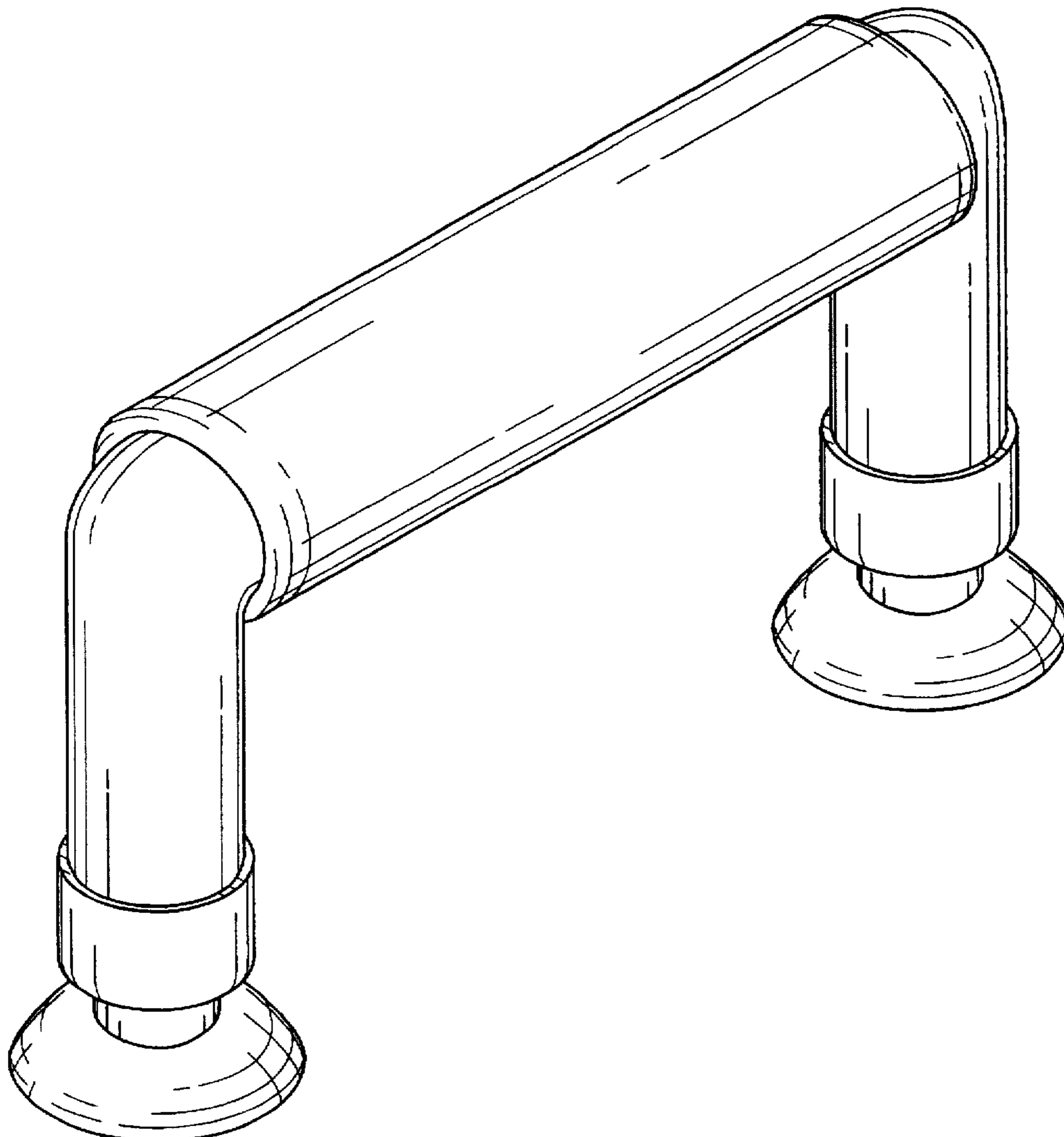
[57] **CLAIM**

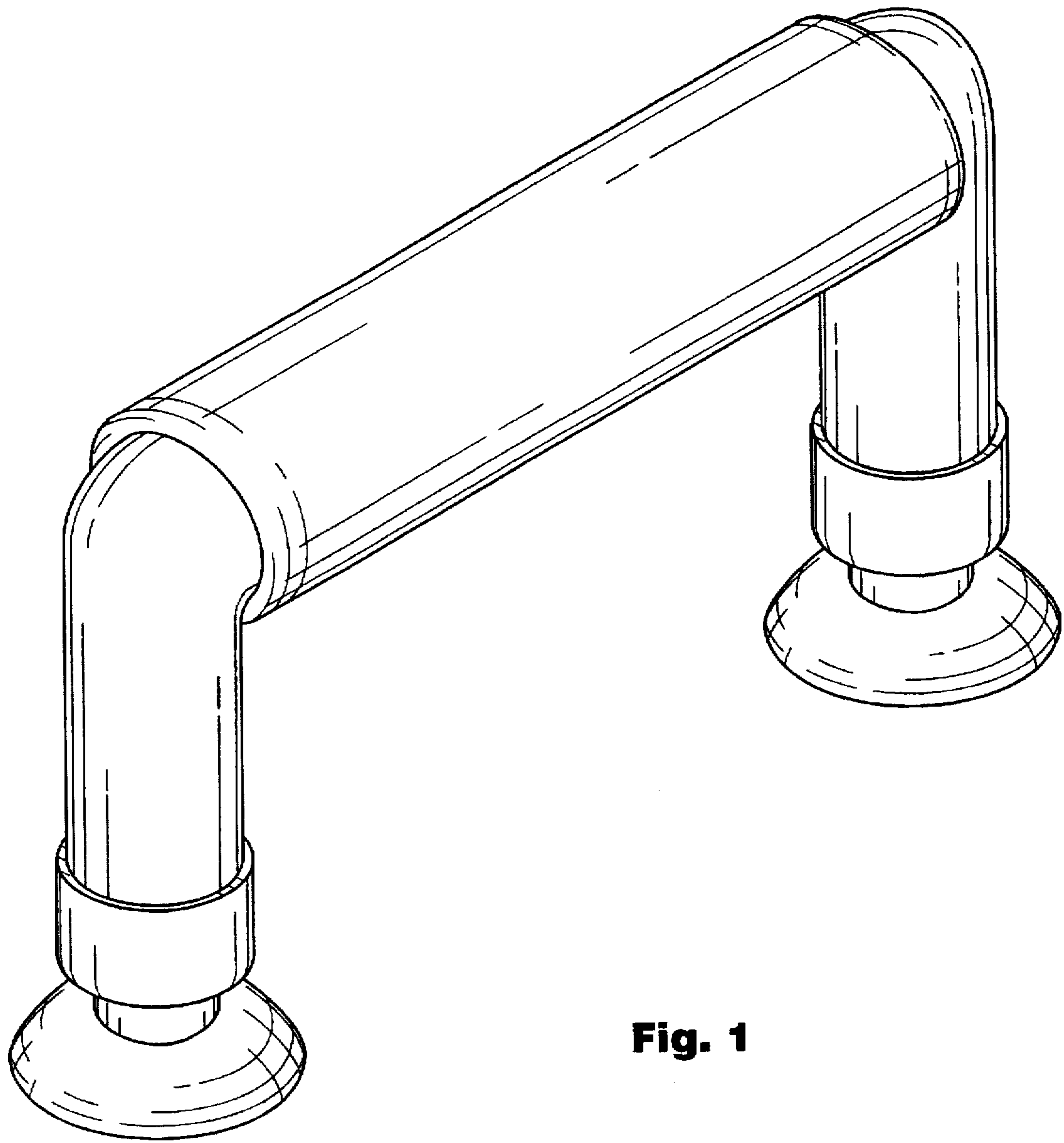
The ornamental design for an attachable handle, as shown and described.

**DESCRIPTION**

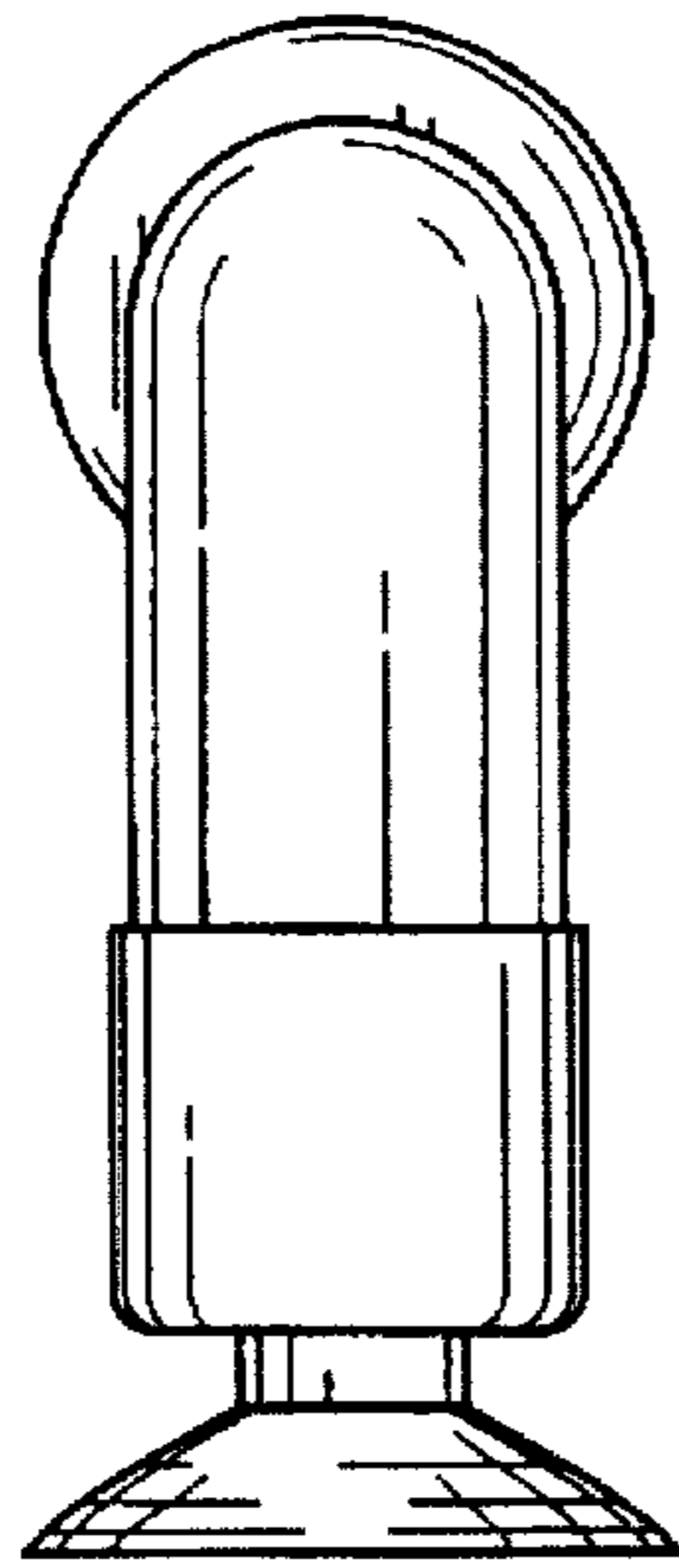
FIG. 1 is a perspective view of an attachable handle showing my new design;  
FIG. 2 is a left side elevational view thereof, the opposite side being a mirror image;  
FIG. 3 is a front elevational view thereof, the rear view being a mirror image;  
FIG. 4 is a top plan view thereof, and,  
FIG. 5 is a bottom plan view thereof.

**1 Claim, 3 Drawing Sheets**

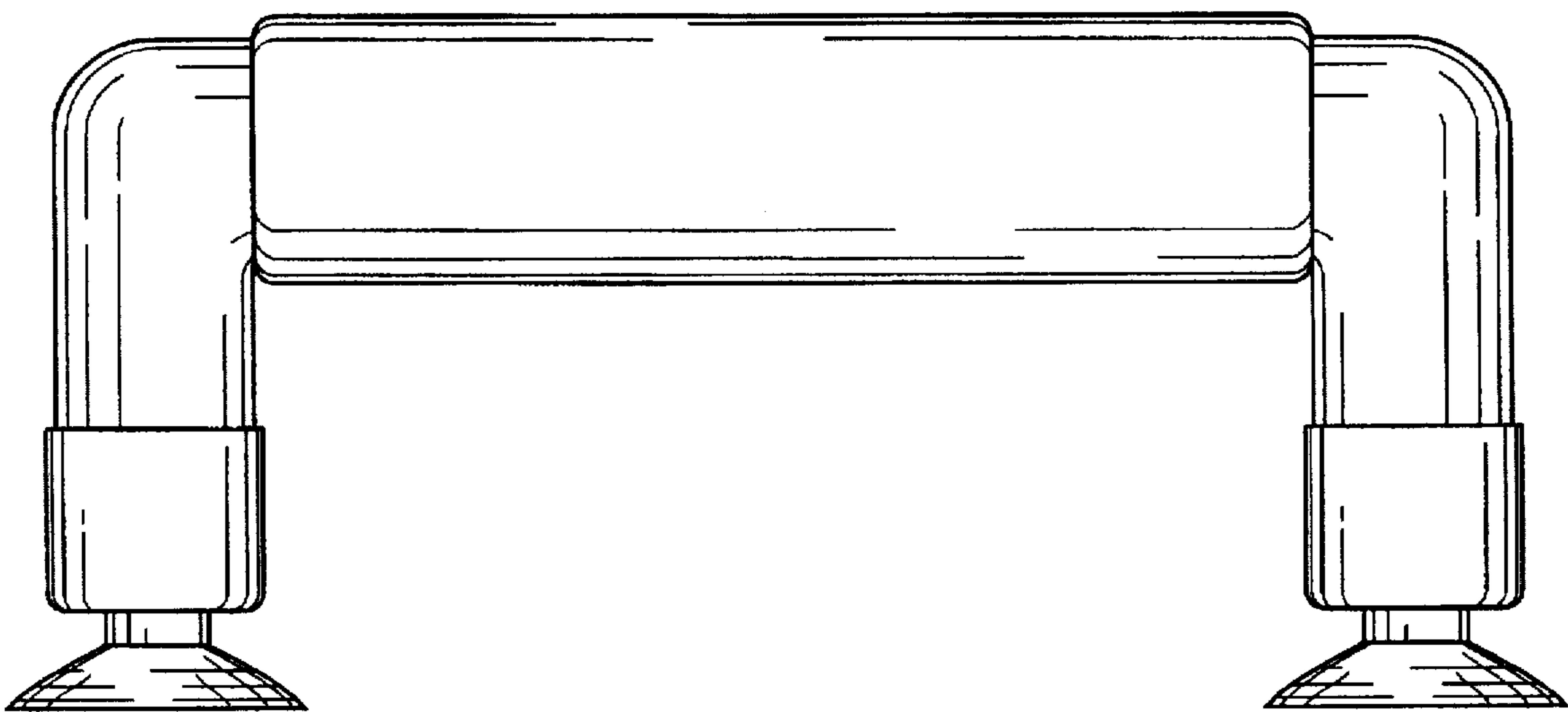




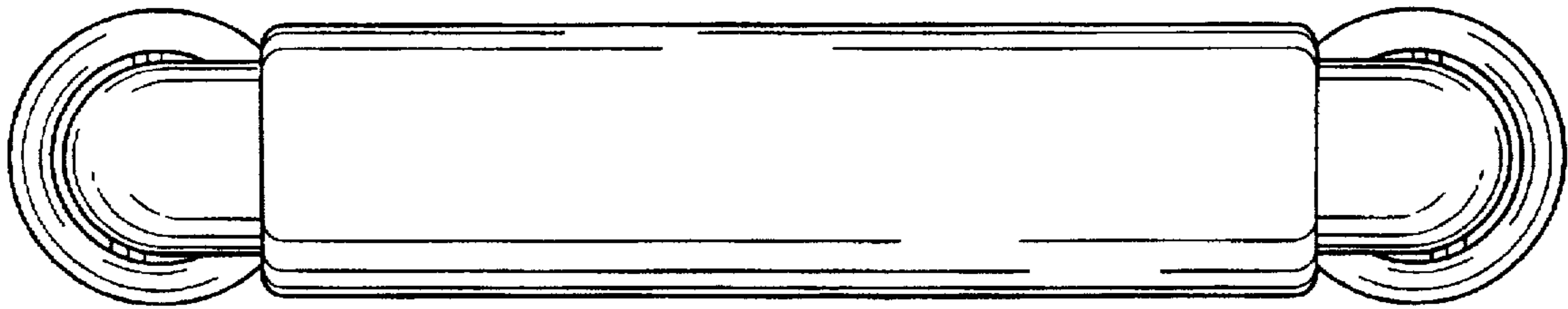
**Fig. 1**



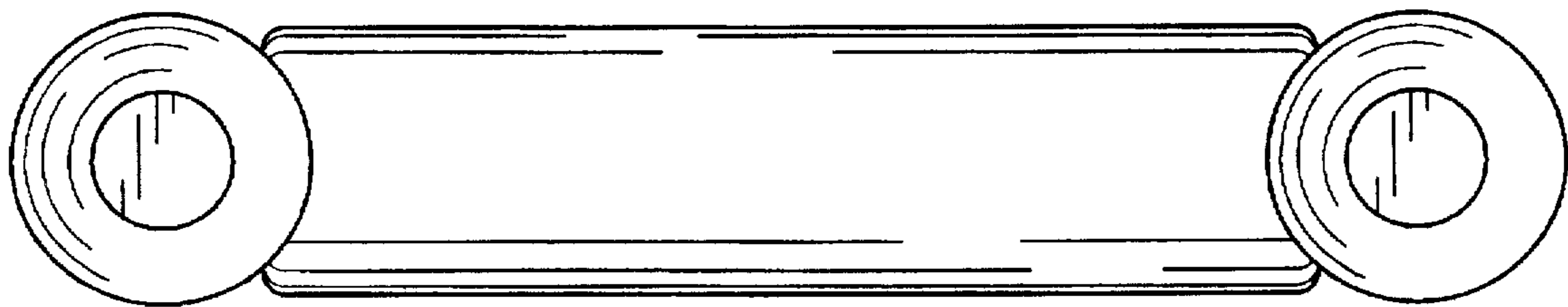
**Fig. 2**



**Fig. 3**



**Fig. 4**



**Fig. 5**