



US00D392159S

United States Patent [19]
Longstreth

[11] **Patent Number: Des. 392,159**
[45] **Date of Patent: **Mar. 17, 1998**

[54] **CAKE PLATE**

2,811,152 10/1957 Wicks D7/610 X
3,737,068 6/1973 Bird D7/610 X
4,705,163 11/1987 James D7/610 X

[76] **Inventor: James R. Longstreth, 14254 E. Ridge Dr., Whittier, Calif. 90602**

[**] **Term: 14 Years**

Primary Examiner—Terry A. Wallace
Attorney, Agent, or Firm—Lewis Anten, Esq.; Amedeo Ferraro, Esq.

[21] **Appl. No.: 59,773**

[57] **CLAIM**

[22] **Filed: Sep. 16, 1996**

The ornamental design for a cake plate, as shown and described.

Related U.S. Application Data

DESCRIPTION

[62] **Division of Ser. No. 52,647, Apr. 4, 1996.**

[51] **LOC (6) Cl. 07-07**

FIG. 1 is a top plan view of a cake plate showing my new design;

[52] **U.S. Cl. D7/610**

FIG. 2 is a first side elevational view of the design of FIG. 1, the remaining side elevational views being identical thereto;

[58] **Field of Search D7/610, 628, 538-542; 206/551; 200/574, 315, 324, 914, DIG. 13**

FIG. 3 is a bottom plan view thereto; and,

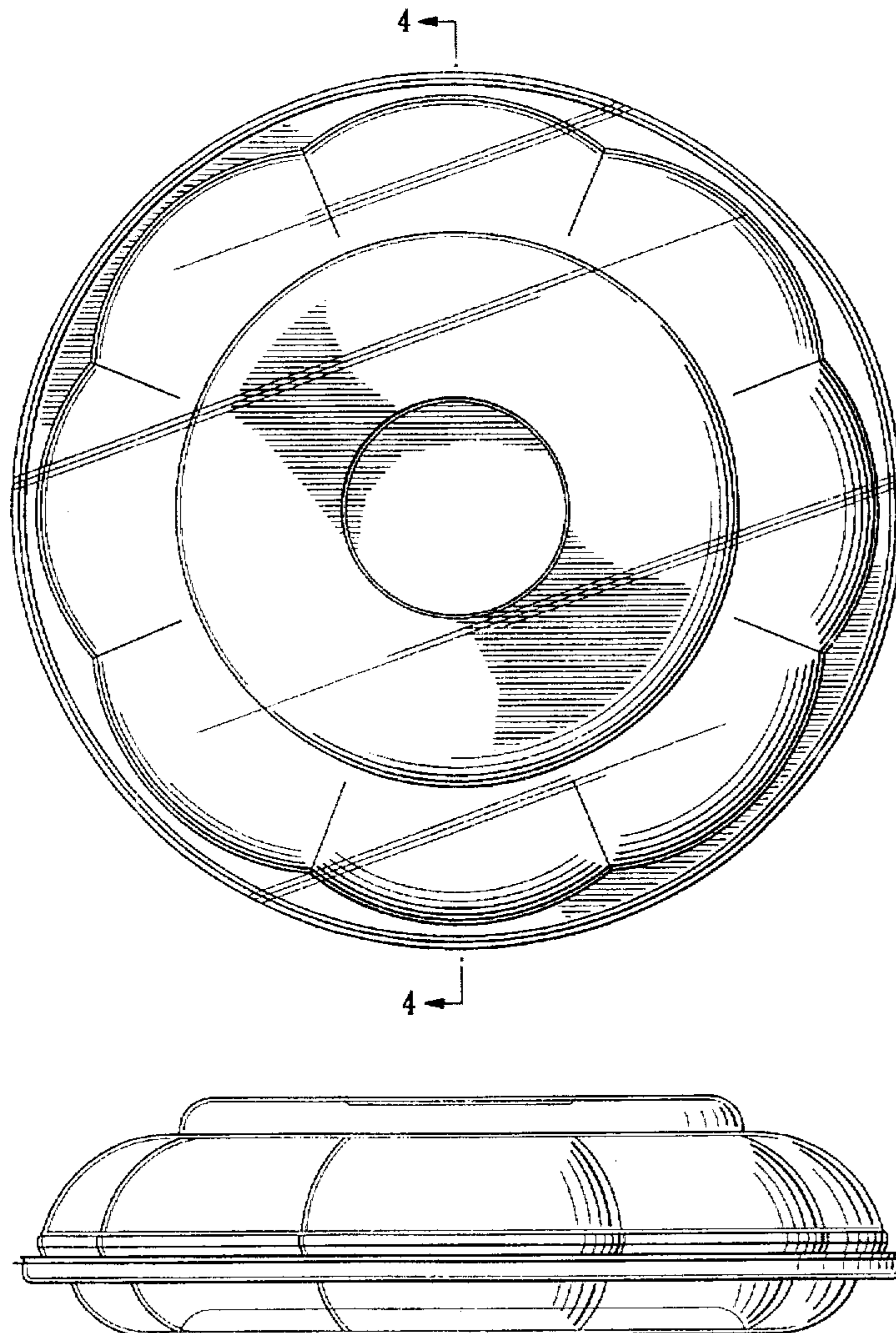
[56] **References Cited**

FIG. 4 is a cross-sectional view along line 4—4 of FIG. 1.

U.S. PATENT DOCUMENTS

2,283,704 5/1942 Steudel D7/610

1 Claim, 4 Drawing Sheets



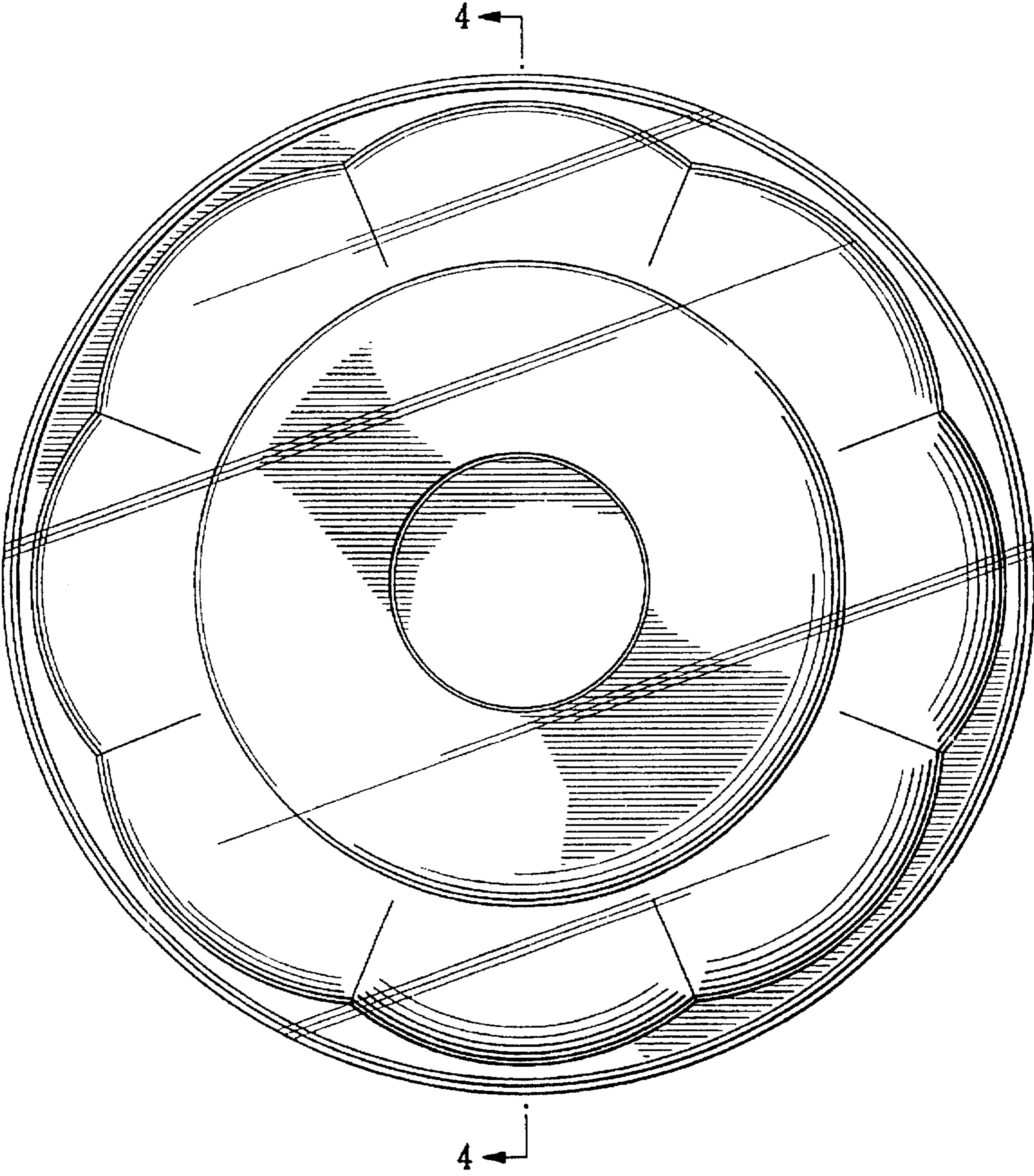


FIG. 1

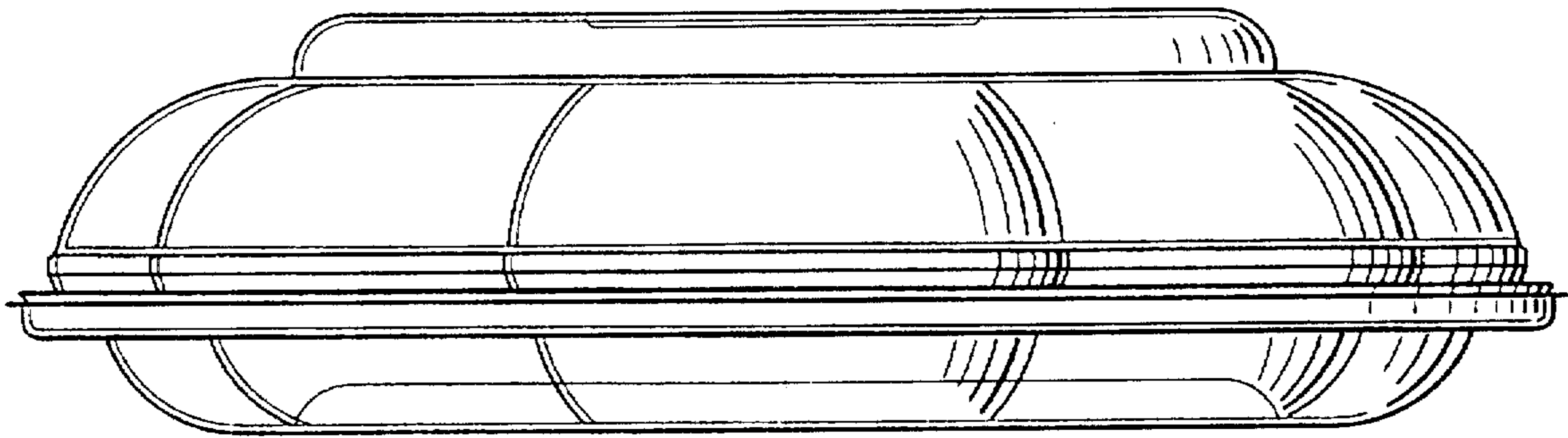


FIG. 2

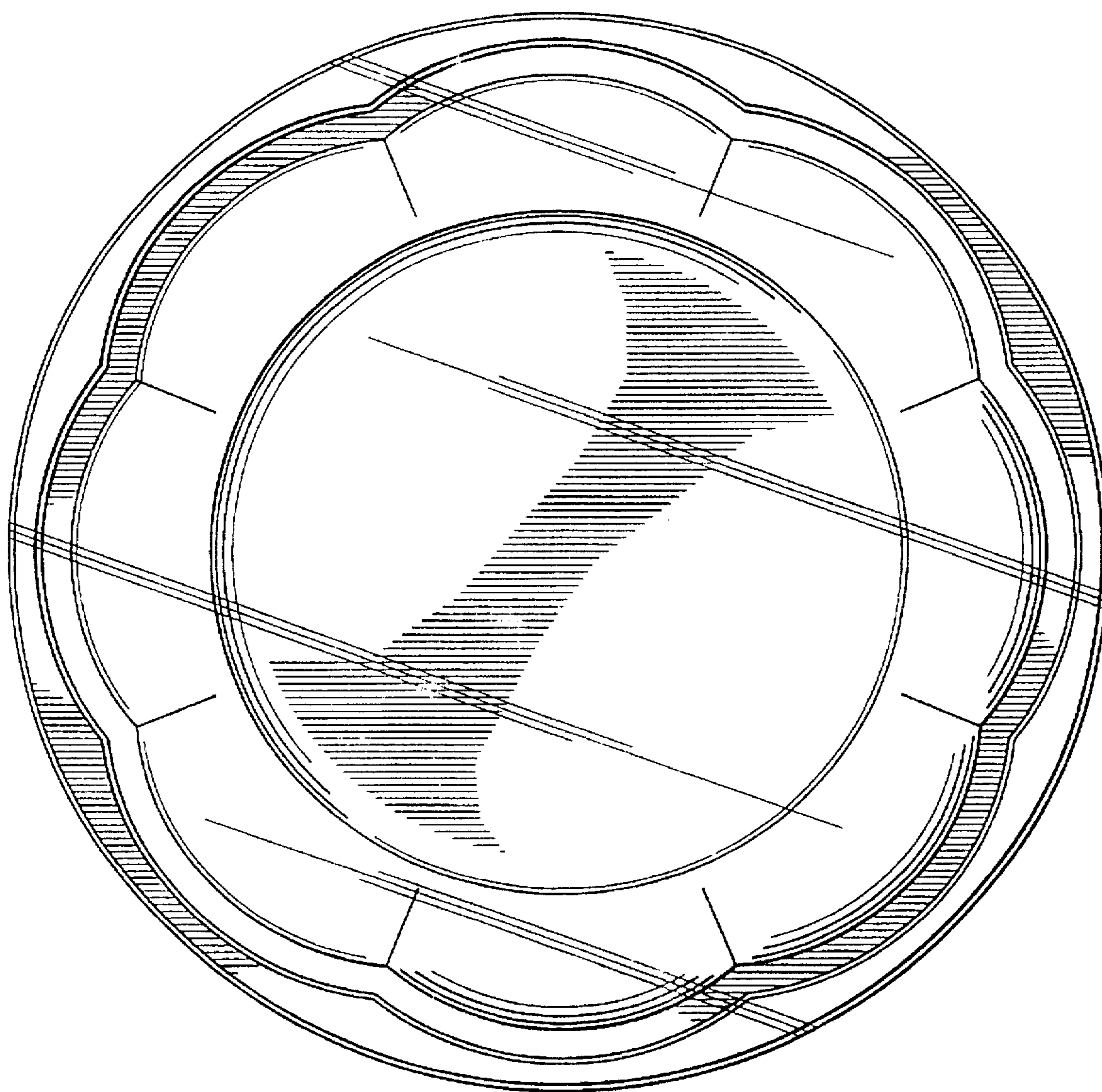


FIG. 3

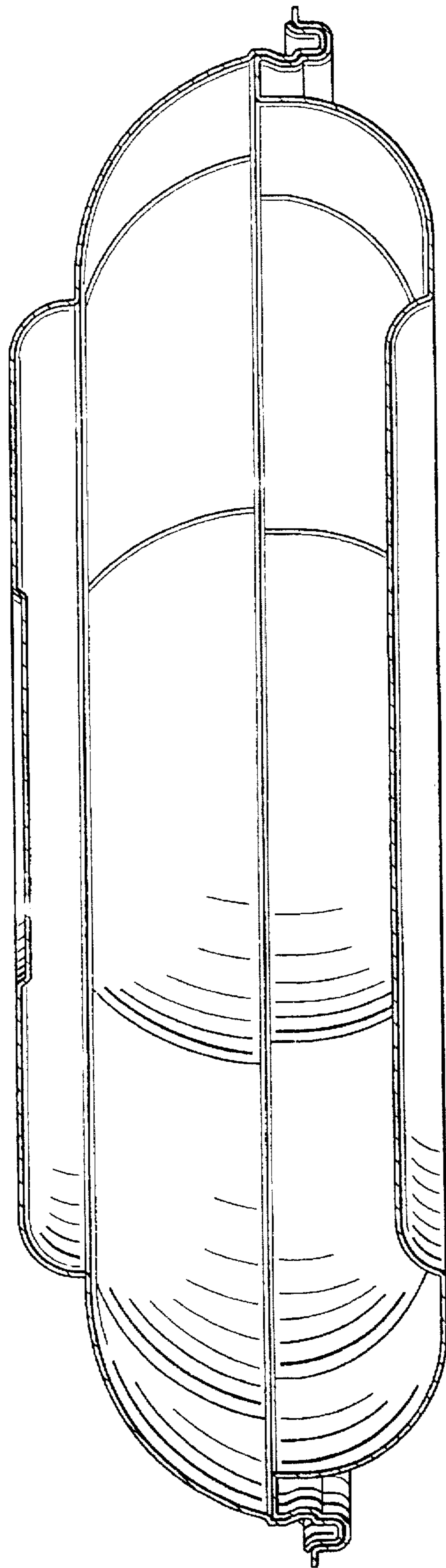


FIG. 4