



US00D392158S

United States Patent [19]
Maddux

[11] **Patent Number: Des. 392,158**
[45] **Date of Patent: **Mar. 17, 1998**

[54] **STACKABLE MEAL DELIVERY CONTAINER**

[75] **Inventor: Larry D. Maddux, Westminster, Calif.**

[73] **Assignee: Cambro Manufacturing Company, Huntington Beach, Calif.**

[**] **Term: 14 Years**

[21] **Appl. No.: 69,317**

[22] **Filed: Mar. 27, 1997**

[51] **LOC (6) Cl. 07-01**

[52] **U.S. Cl. D7/601; D34/19; D34/14; 312/200**

[58] **Field of Search D34/12-27; D7/601; 312/109, 198, 199, 200, 107, 249.8; 220/529, 669, 672, 682; 206/503, 509**

[56] **References Cited**

U.S. PATENT DOCUMENTS

D. 251,968	5/1979	Tucky	D34/19
D. 257,965	1/1981	Bacskey	D34/19
1,137,759	5/1915	Johnson	206/509
2,804,233	8/1957	Martin	206/509
4,786,122	11/1988	Nichoalds	312/249.8 X

FOREIGN PATENT DOCUMENTS

1591018 8/1968 France 206/509

Primary Examiner—Susan J. Lucas
Assistant Examiner—Cynthia E. Ramirez
Attorney, Agent, or Firm—George F. Bethel; Patience K. Bethel

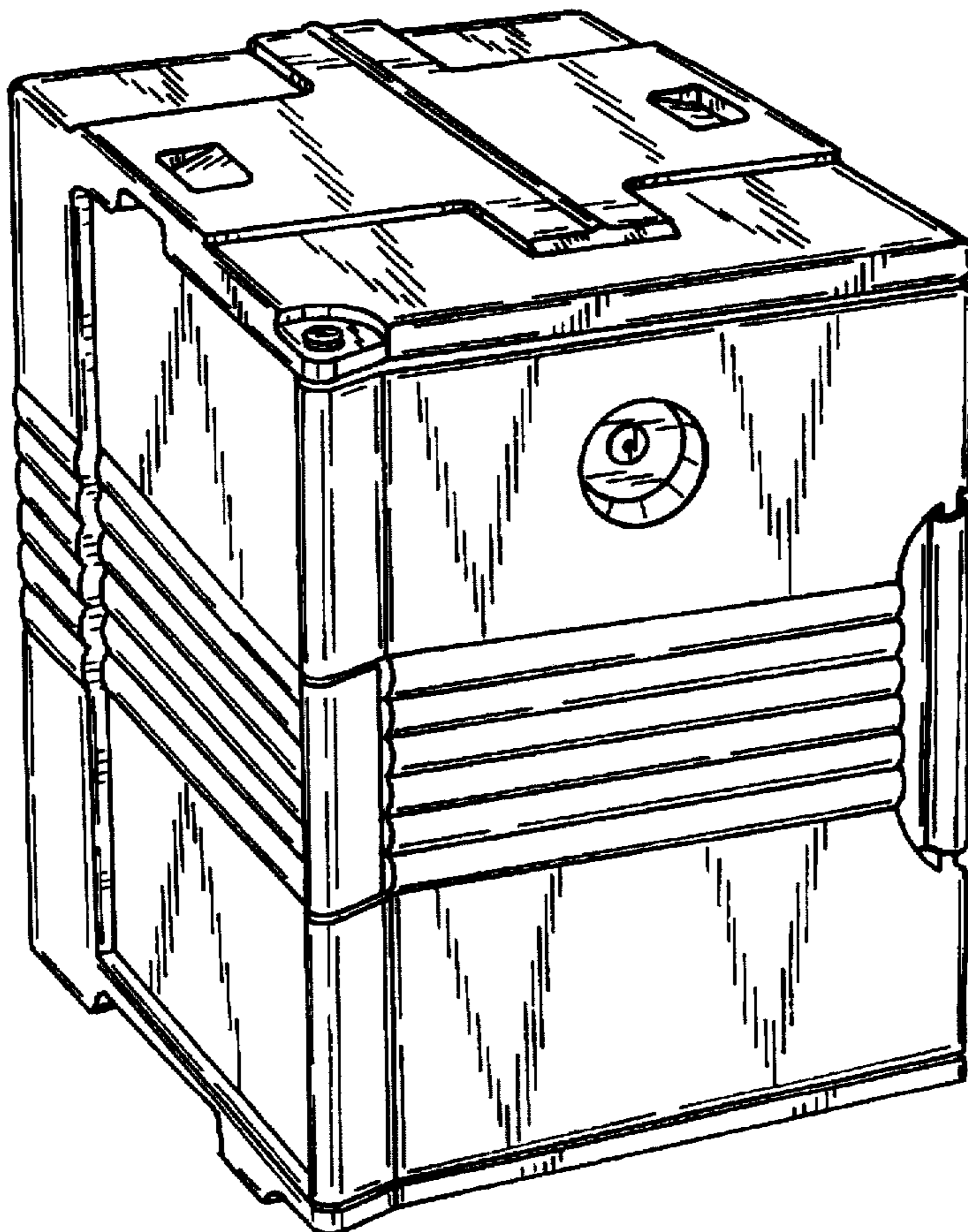
[57] **CLAIM**

The ornamental design for a stackable meal delivery container, as shown and described.

DESCRIPTION

FIG. 1 is shows a perspective view;
FIG. 2 shows a front elevation view;
FIG. 3 shows a side elevation view looking from the left hand side of FIG. 1;
FIG. 4 is a top plan view;
FIG. 5 is a side elevation view looking from the right side of FIG. 1;
FIG. 6 is a rear elevation view; and,
FIG. 7 is a bottom view.

1 Claim, 2 Drawing Sheets



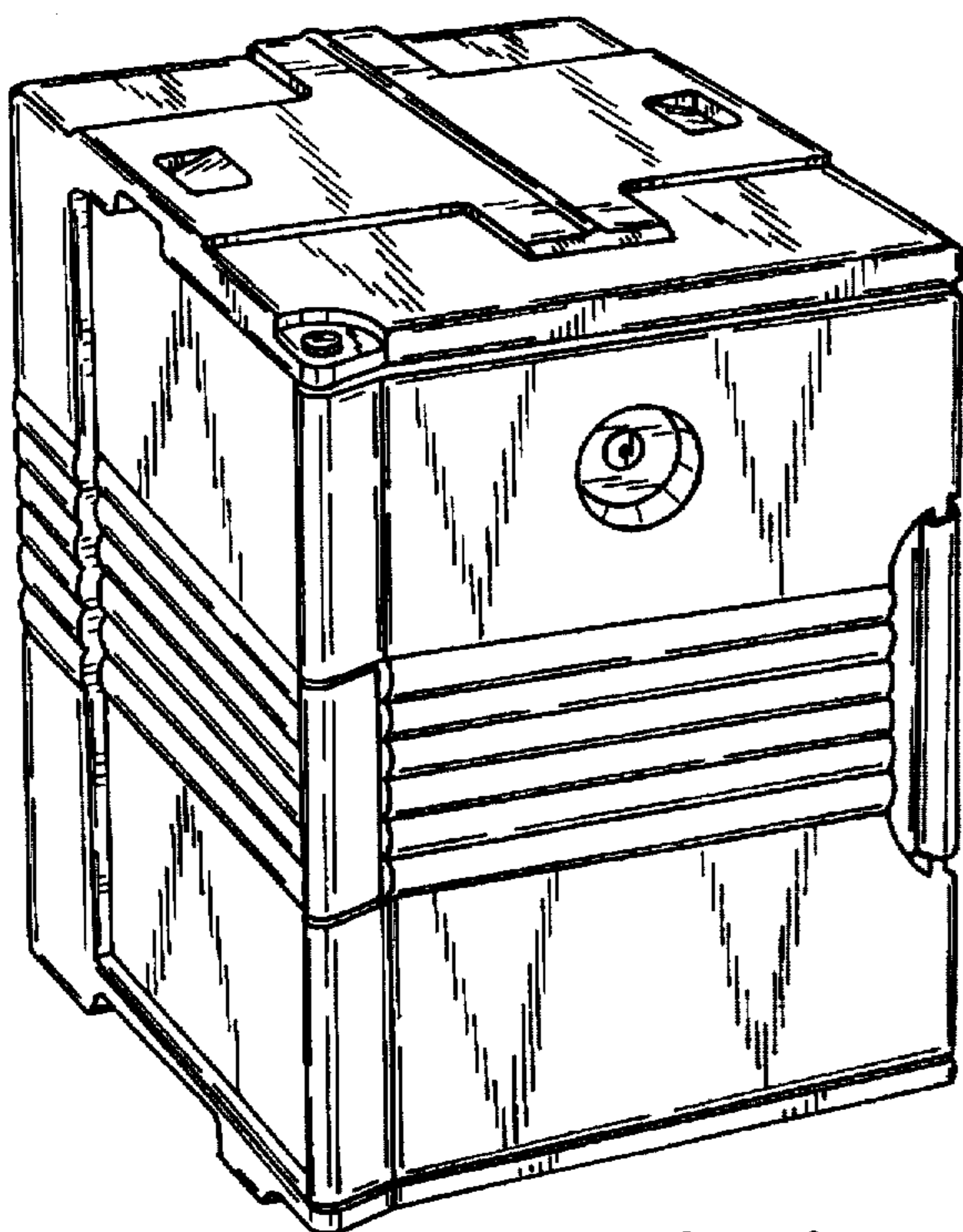


FIG. 1

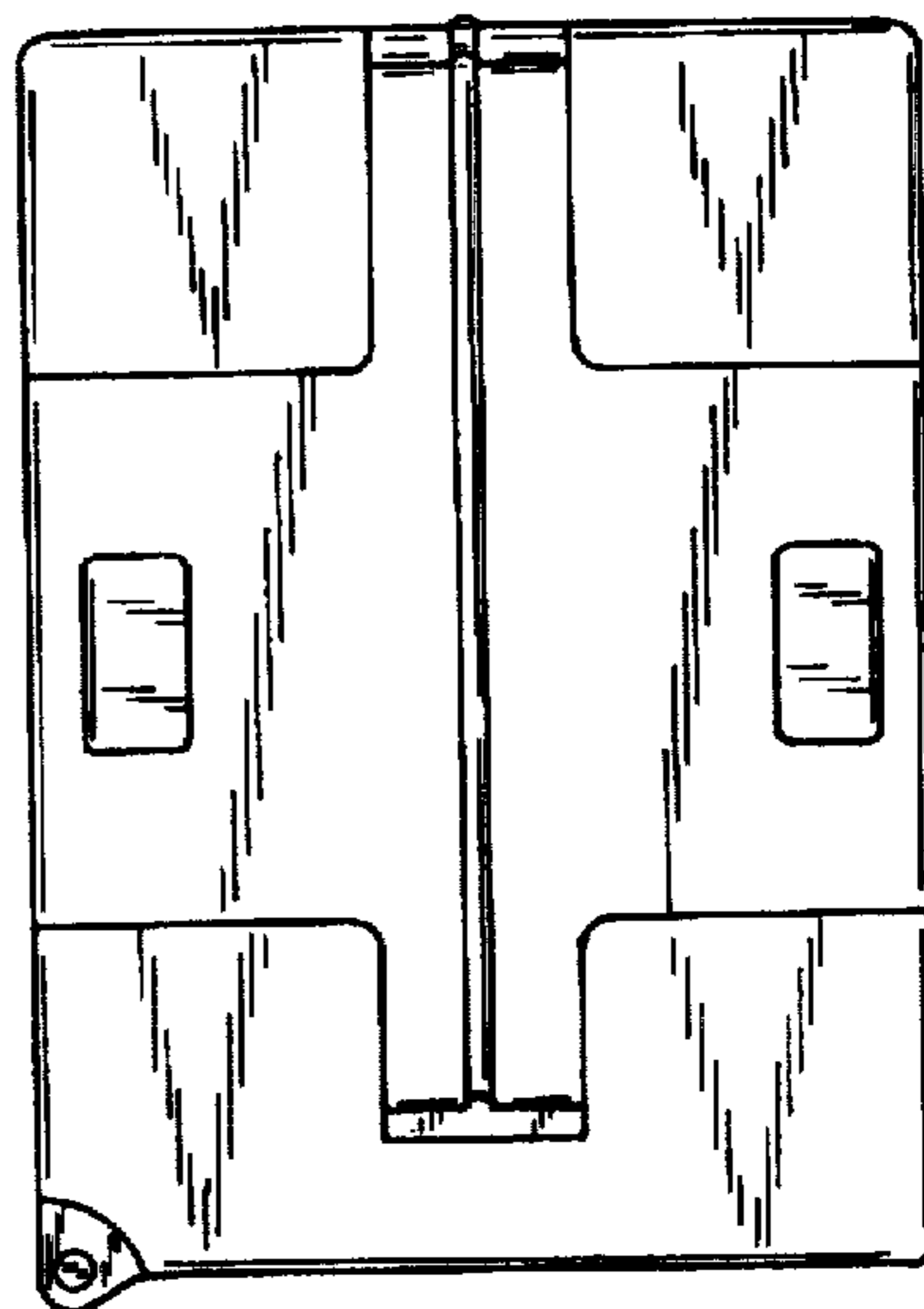


FIG. 4

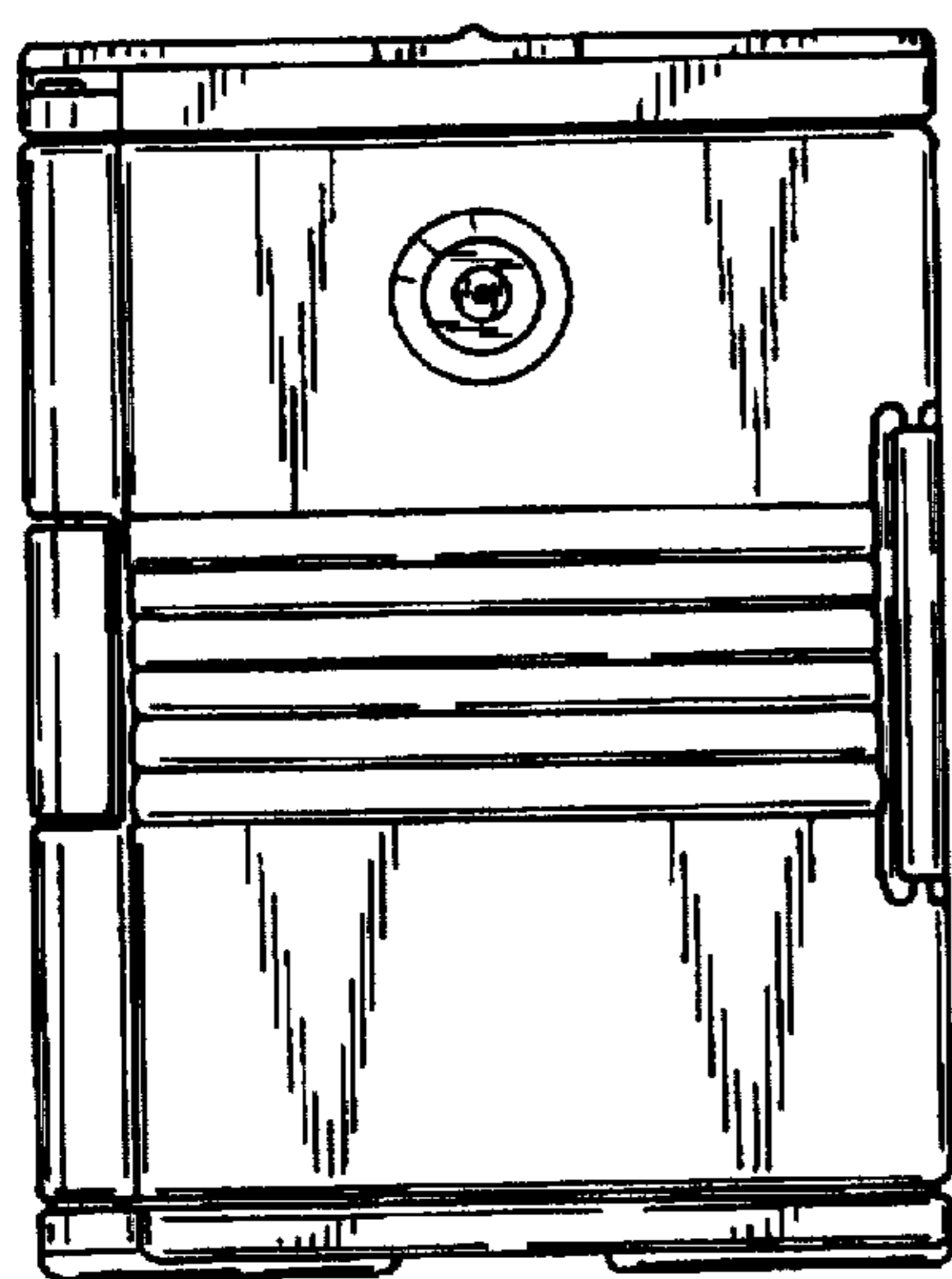
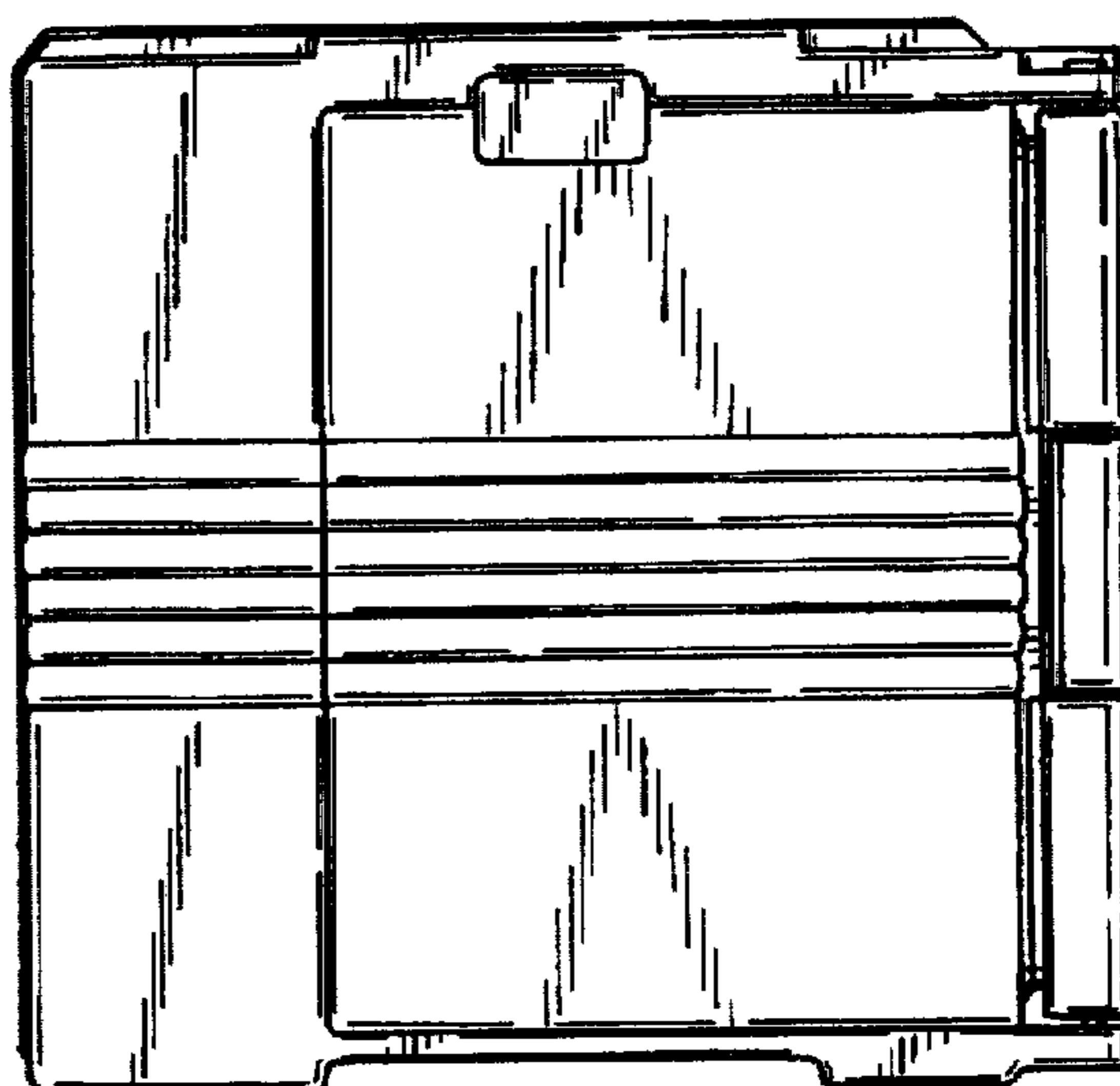


FIG. 2

FIG. 3



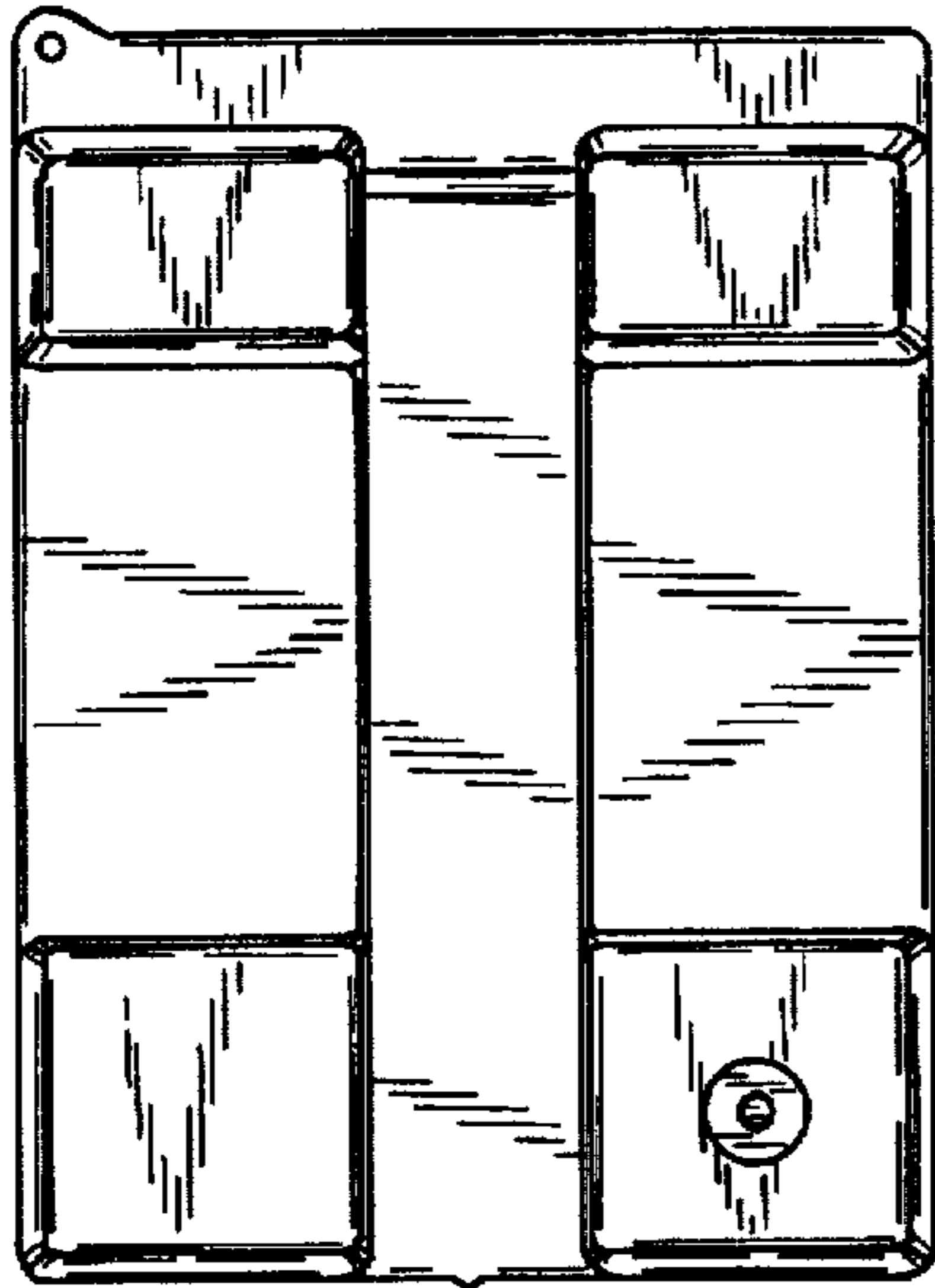


FIG. 7

FIG. 5

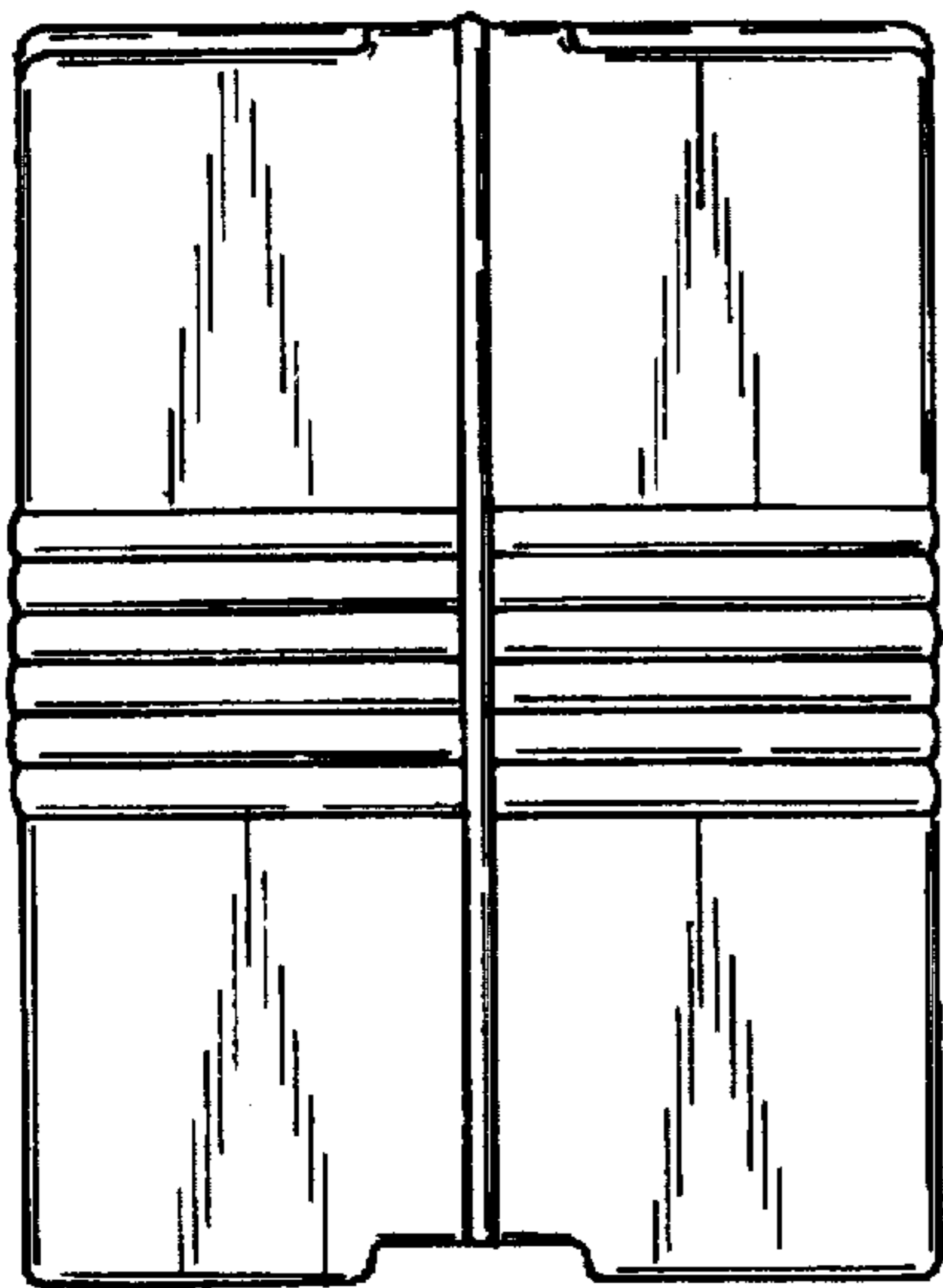
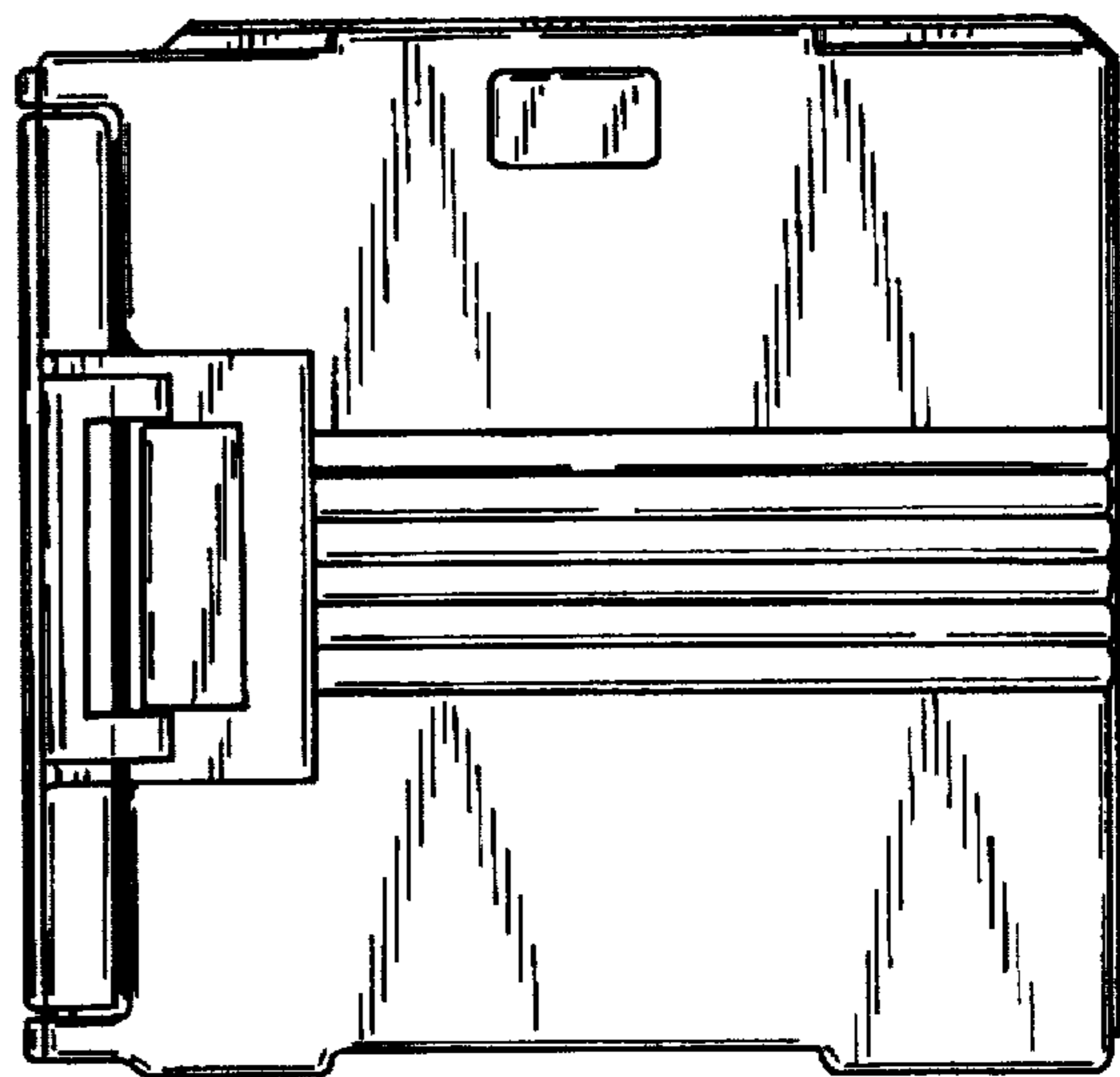


FIG. 6