



US00D392152S

# United States Patent [19]

Rae

[11] Patent Number: **Des. 392,152**

[45] Date of Patent: **\*\*Mar. 17, 1998**

[54] **COOKWARE ARCUATELY GROOVED EXTERIOR BOTTOM SURFACE**

[75] Inventor: **Robert Allan Rae**, Kowloon, Hong Kong

[73] Assignee: **Meyer Marketing Company Limited**, Kowloon, Hong Kong

[\*\*] Term: **14 Years**

[21] Appl. No.: **54,908**

[22] Filed: **May 24, 1996**

[51] LOC (6) Cl. .... **07-02**

[52] U.S. Cl. .... **D7/402; D7/354; D7/359**

[58] Field of Search ..... **D7/323, 354-361, D7/402; 29/527, 527.1, 527.4; 99/422, 425, 445; 126/390**

[56] **References Cited**

**U.S. PATENT DOCUMENTS**

D. 179,087	10/1956	Kelso	.....	D7/352
D. 281,481	11/1985	Geiser	.....	D7/361
D. 373,286	9/1996	Antonio	.....	D7/361
1,413,063	4/1922	Sailer	.....	D7/359 X

**OTHER PUBLICATIONS**

Macy's spring sale catalog; p. 68; item D—Circulon grill pan; lower left of page, Mar. 16, 1995.

*Primary Examiner*—Caron D. Veynar

*Attorney, Agent, or Firm*—Wood, Herron & Evans, L.L.P.

[57] **CLAIM**

The ornamental design for a cookware arcuately grooved exterior bottom surface, as shown and described.

**DESCRIPTION**

FIG. 1 is a bottom plan view of a cookware arcuately grooved exterior bottom surface showing my new design; FIG. 2 is a perspective view thereof;

FIG. 3 is a top plan view thereof;

FIG. 4 is a left side elevational view thereof;

FIG. 5 is a rear elevational view thereof;

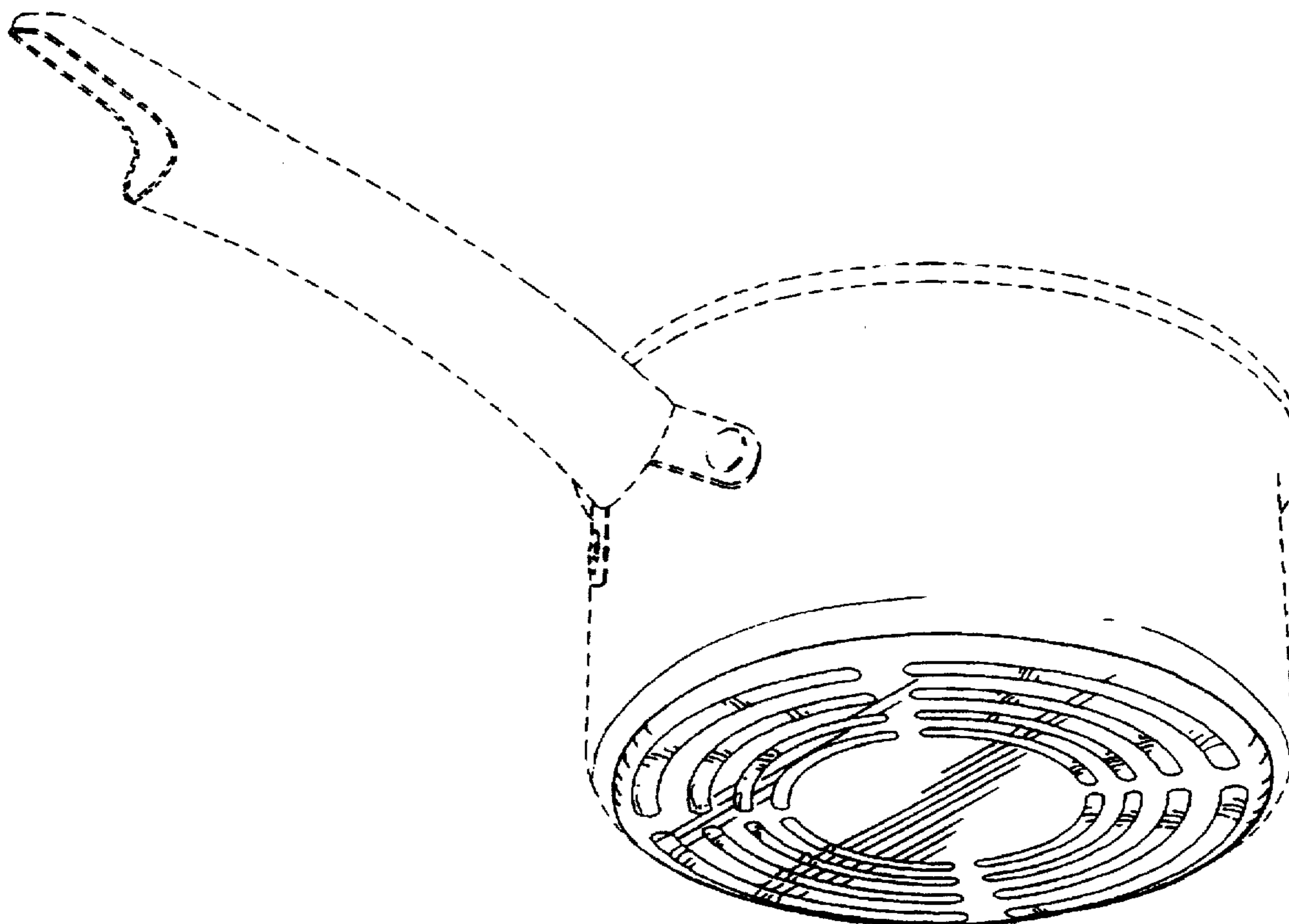
FIG. 6 is a right side elevational view thereof;

FIG. 7 is a front elevational view thereof; and,

FIG. 8 is a vertical cross-sectional view along line 8—8 of FIG. 1 transversely through a single arcuate groove shown in enlarged scale;

The cookware shown in phantom lines depicts the environment of my new design and forms no part of the design of my invention.

**1 Claim, 3 Drawing Sheets**



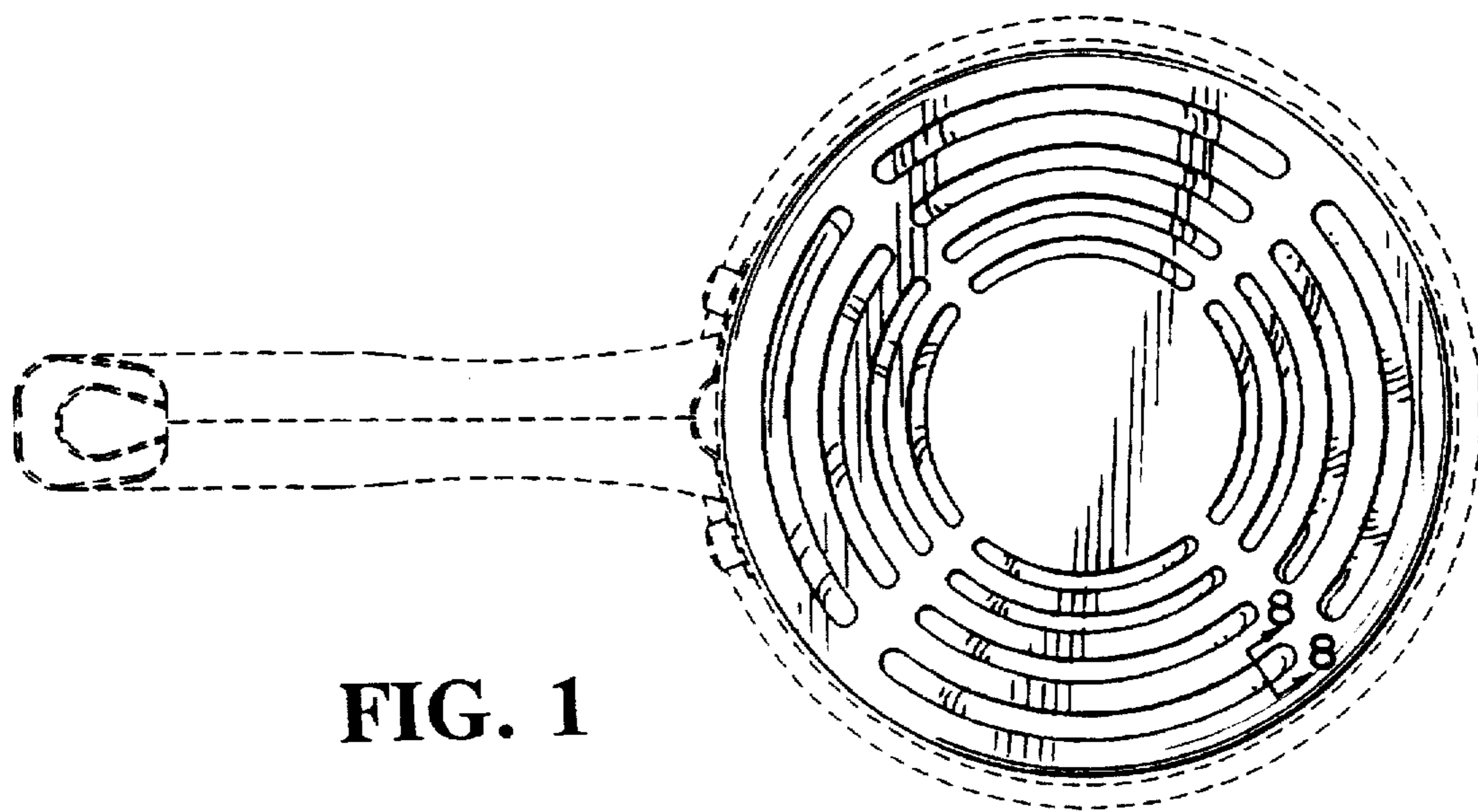


FIG. 1

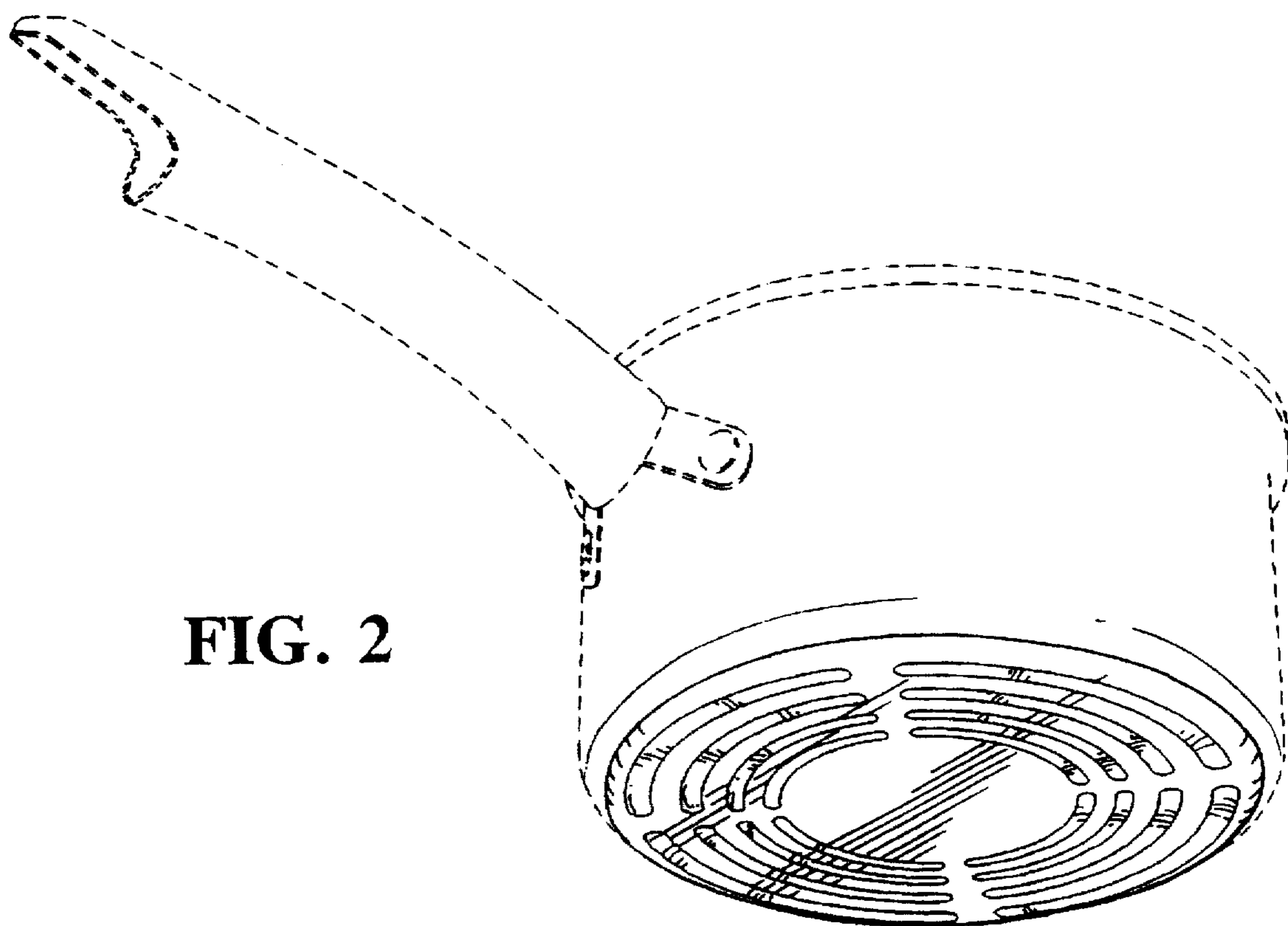


FIG. 2

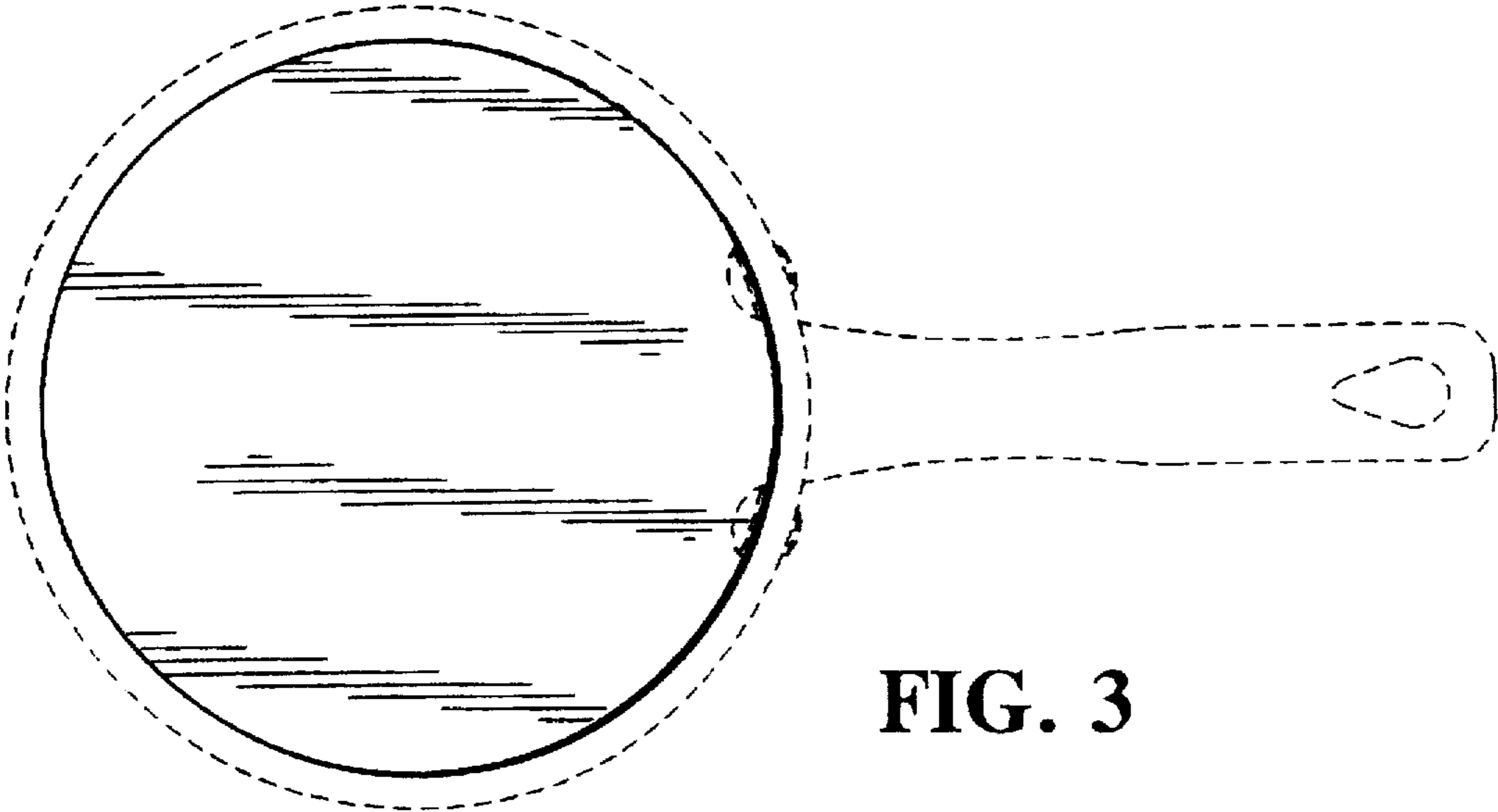


FIG. 3

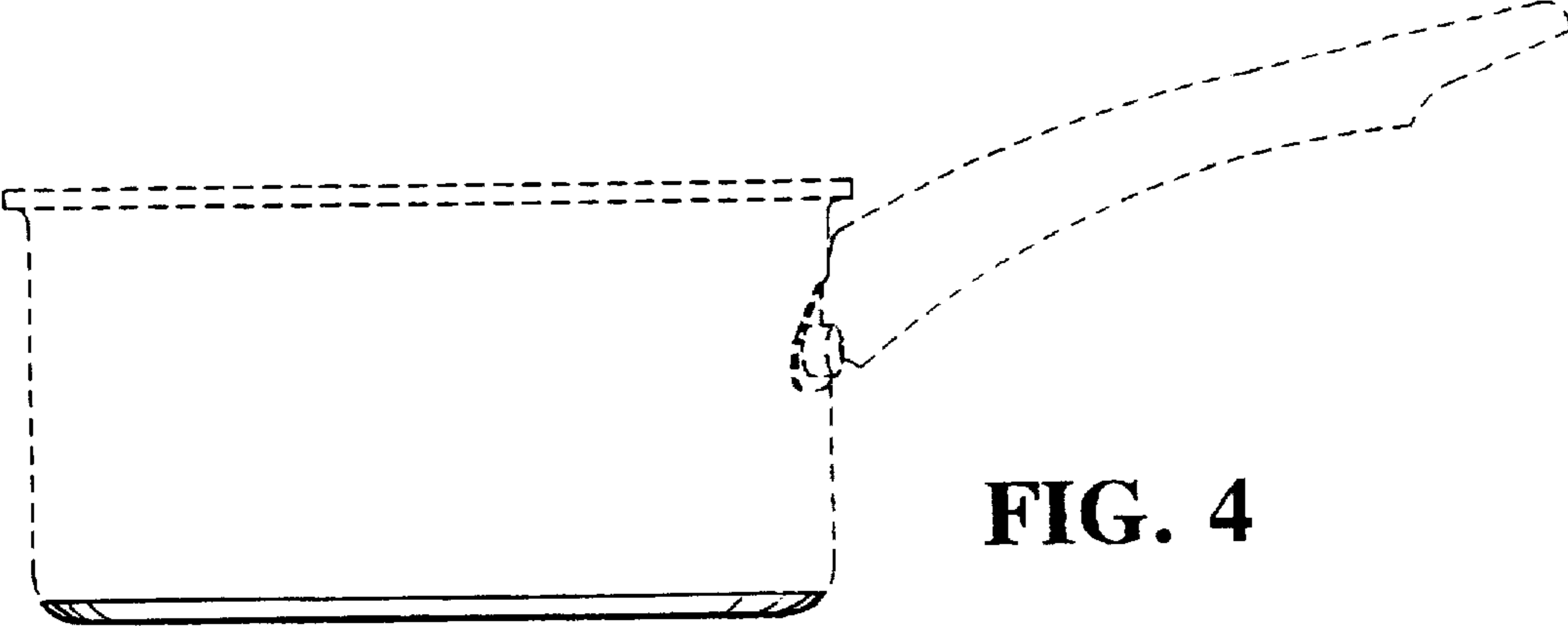


FIG. 4

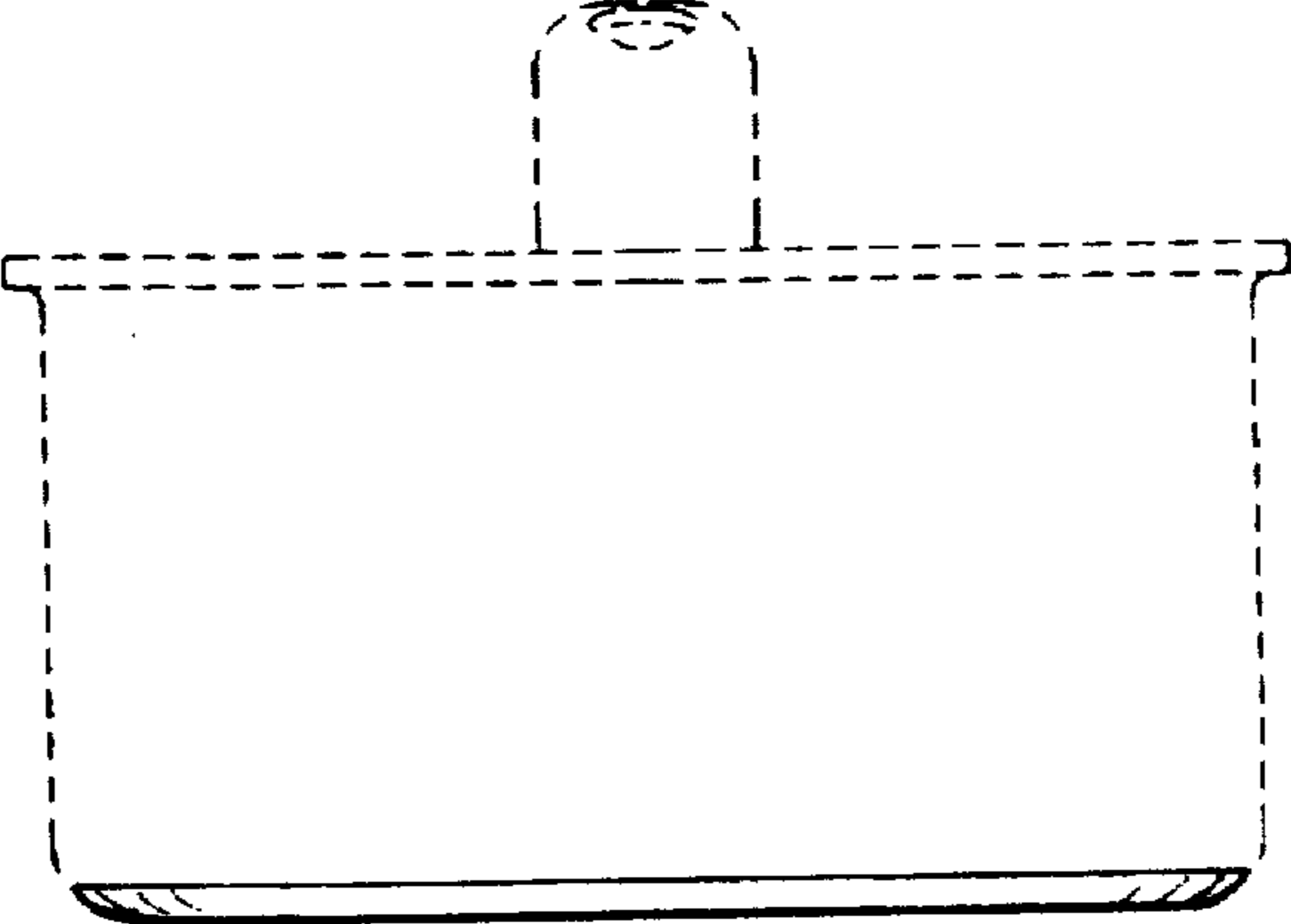


FIG. 5

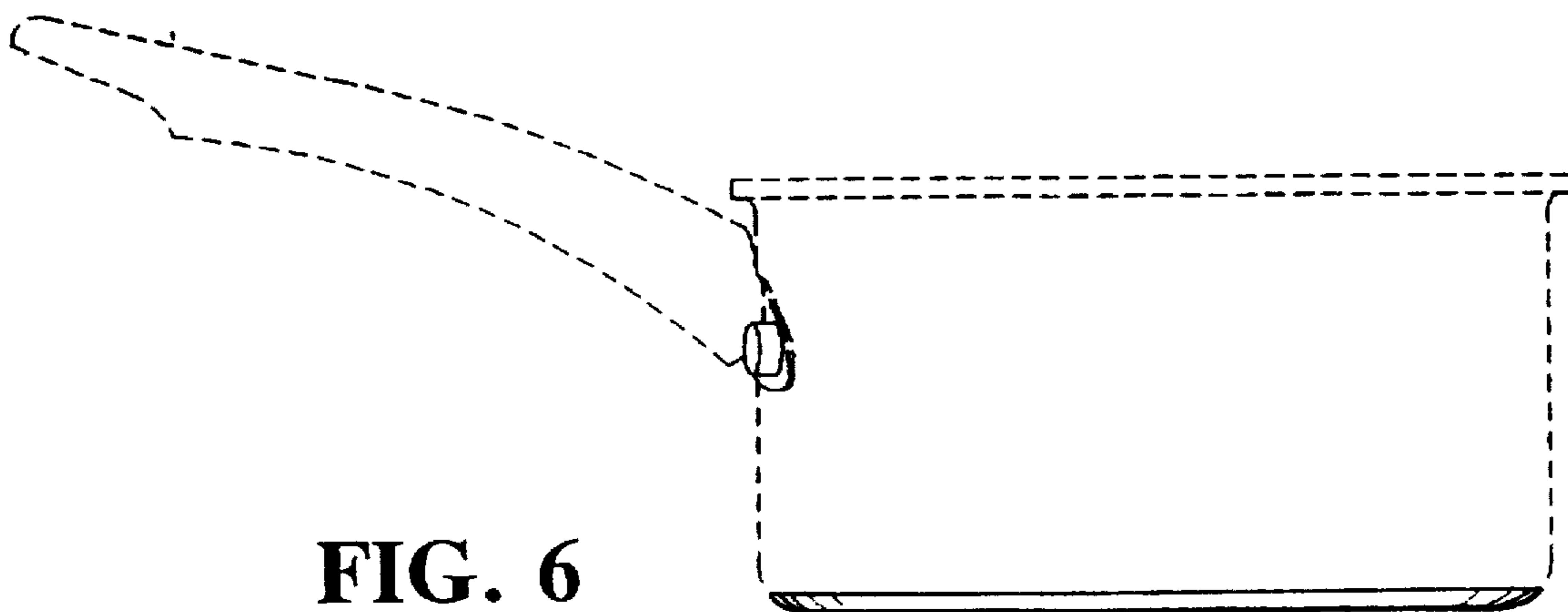


FIG. 6

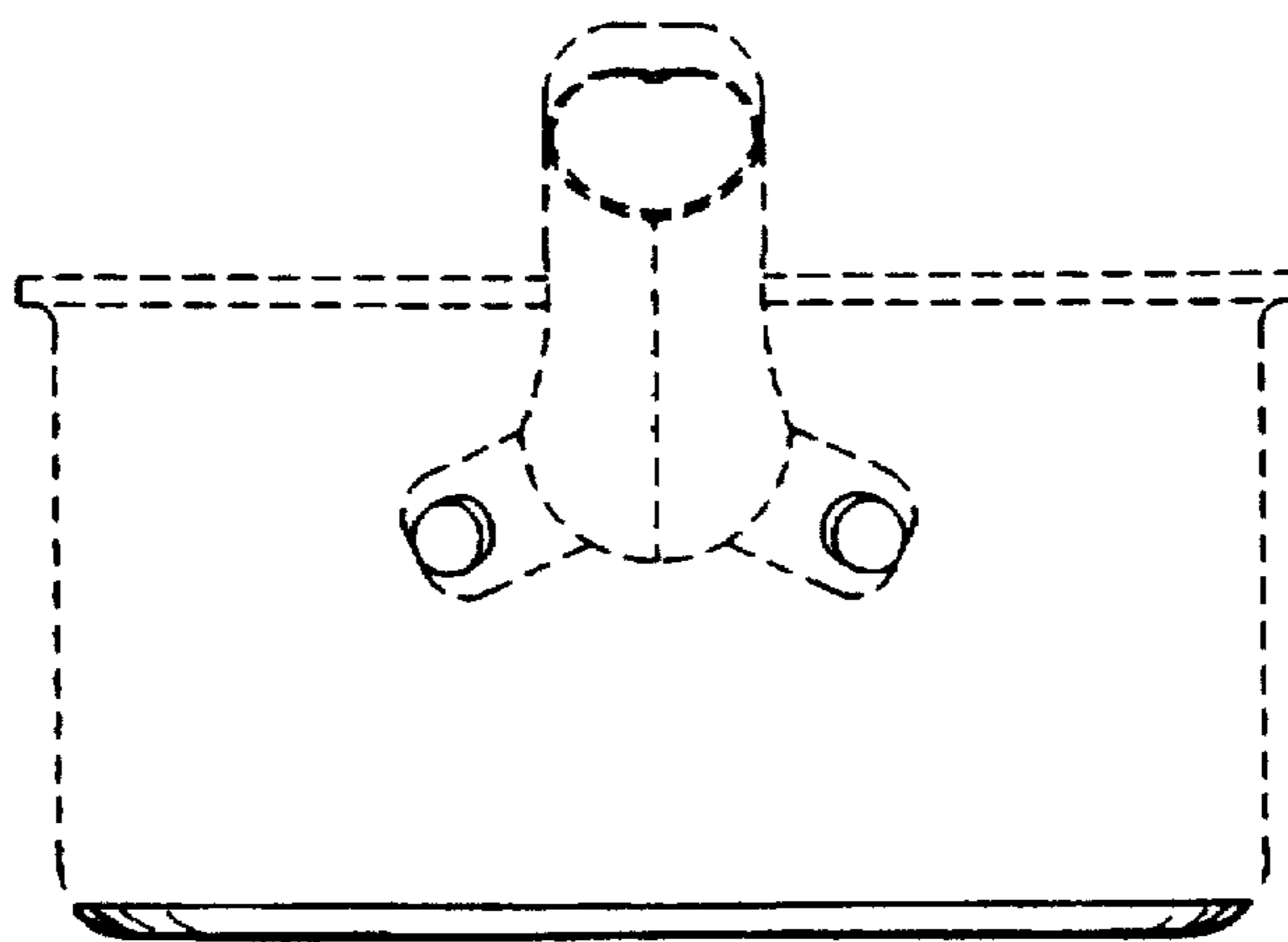


FIG. 7



FIG. 8