

US00D392145S

# United States Patent [19] Thurston

[11] Patent Number: **Des. 392,145**  
[45] Date of Patent: **\*\*Mar. 17, 1998**

[54] **AIR MATTRESS FOR PREGNANT WOMEN**

5,400,449 3/1995 Satto ..... 5/631

[76] Inventor: **Diane Thurston**, 10455 Oakdale Ave.,  
Chatsworth, Calif. 91311

*Primary Examiner*—Janice E. Seeger  
*Attorney, Agent, or Firm*—James F. Cottone

[\*\*] Term: **14 Years**

[57] **CLAIM**

[21] Appl. No.: **62,074**

The ornamental design for an air mattress for pregnant women, as shown and described.

[22] Filed: **Nov. 6, 1996**

**DESCRIPTION**

[51] LOC (6) Cl. .... **06-09**

FIG. 1 is an exploded perspective view taken from the top, front and right side of my air mattress for pregnant women showing my new design;

[52] U.S. Cl. .... **D6/604**

FIG. 2 is a perspective view thereof;

[58] Field of Search ..... D6/595-599, 601-605,  
D6/610, 611, 382, 383; 5/630, 631, 636,  
417-420, 706, 652, 654, 655.3, 656, 930

FIG. 3 is a top plan view thereof;

FIG. 4 is a bottom plan view thereof;

FIG. 5 is a rear elevational view thereof;

FIG. 6 is a front elevational view thereof;

FIG. 7 is a right side elevational view thereof; and,

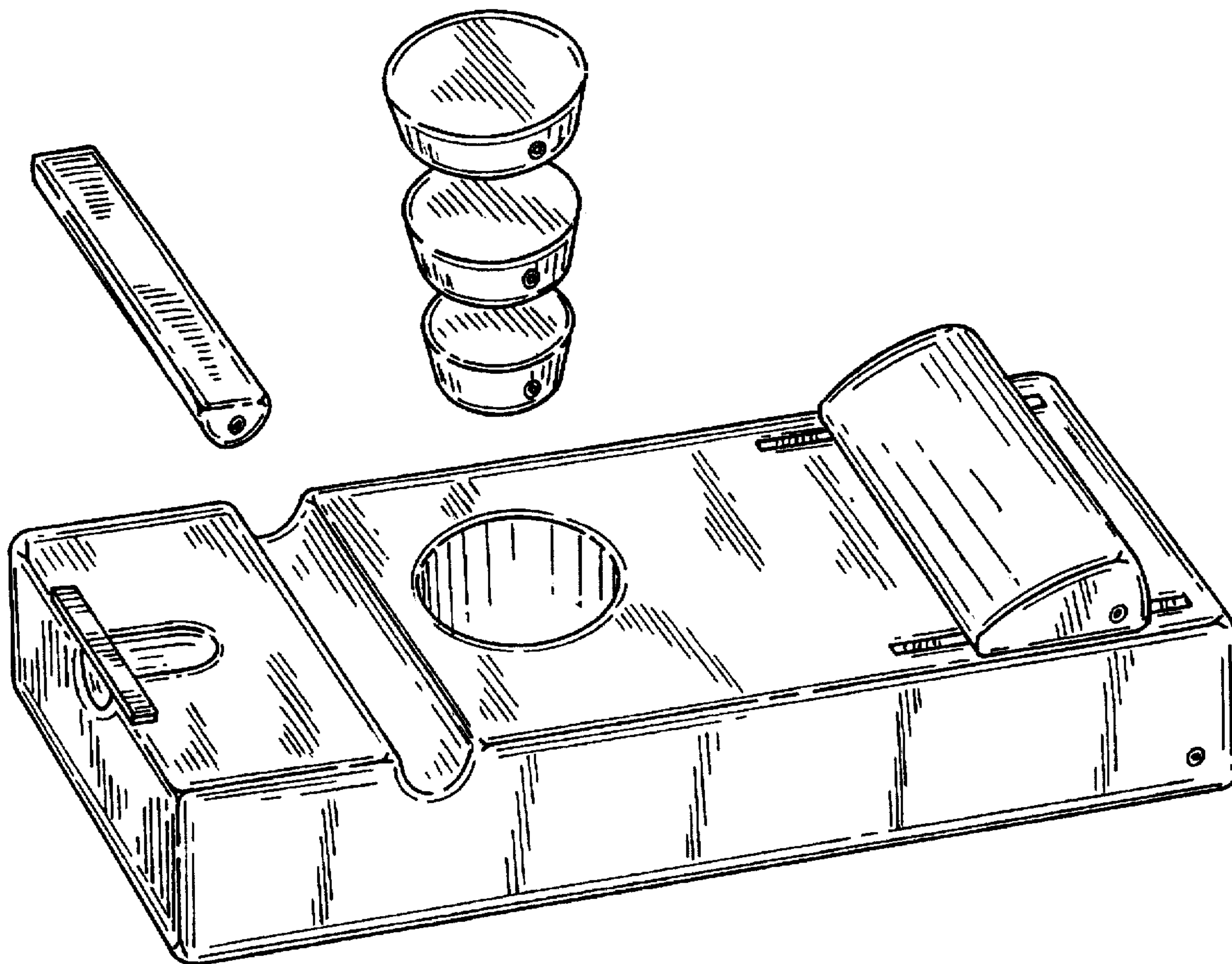
FIG. 8 is a left side elevational view thereof.

[56] **References Cited**

**U.S. PATENT DOCUMENTS**

4,054,960	10/1977	Pettit et al.	5/631
4,206,524	6/1980	Cook	5/630
4,382,306	5/1983	Lickert	5/631 X
5,185,897	2/1993	Van Laanen	5/631 X

**1 Claim, 3 Drawing Sheets**



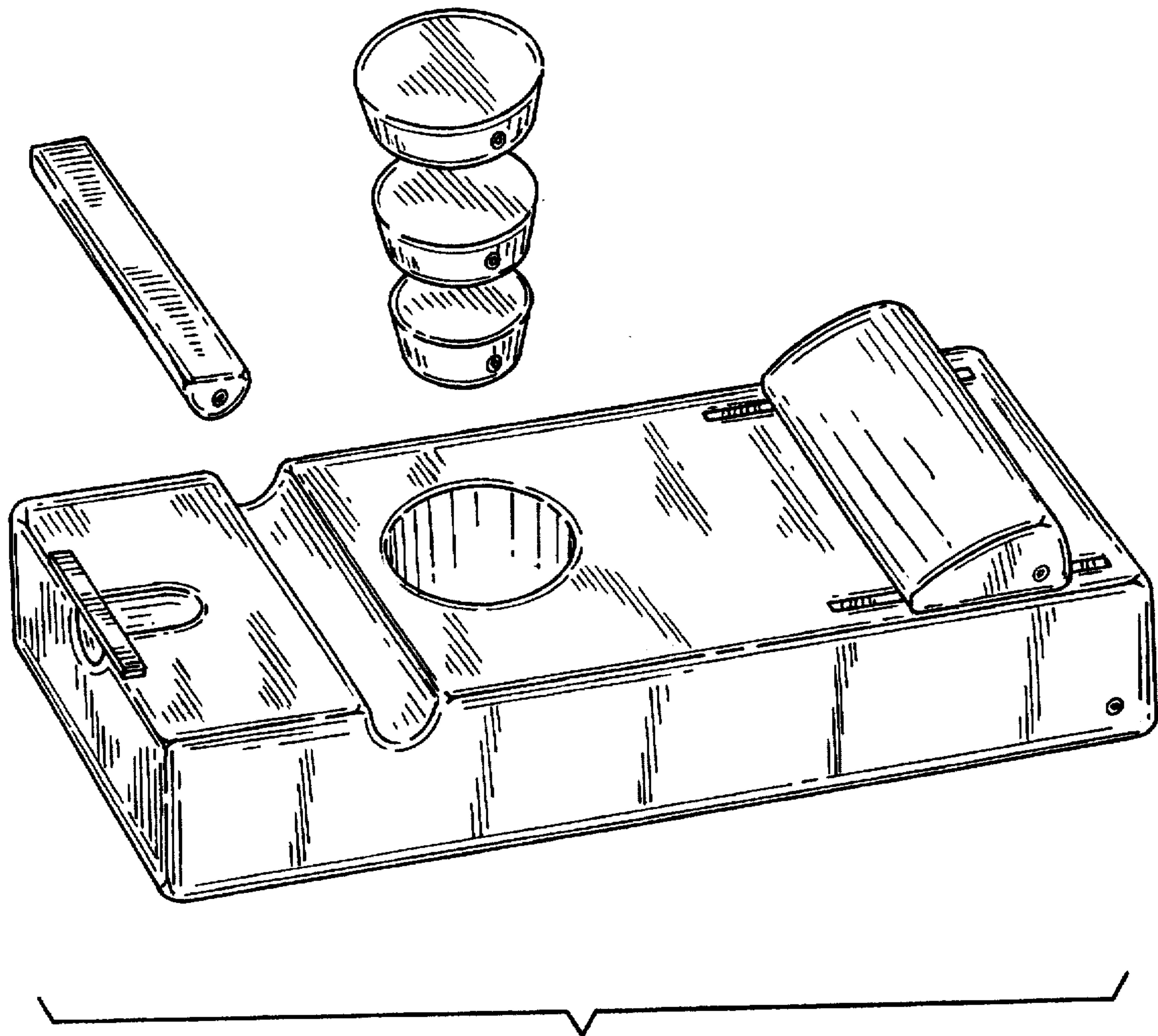


FIG. 1

FIG. 2

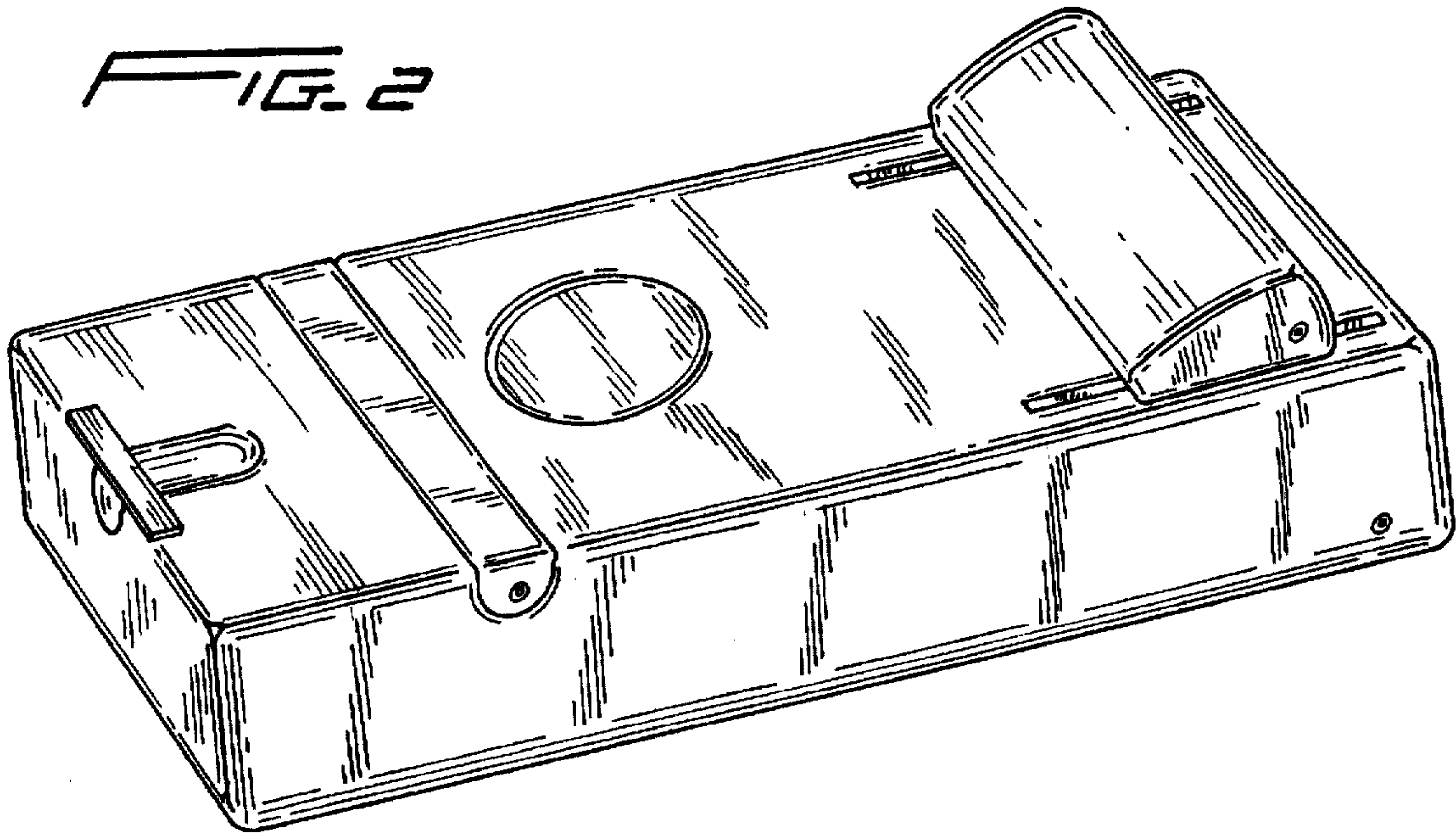


FIG. 3

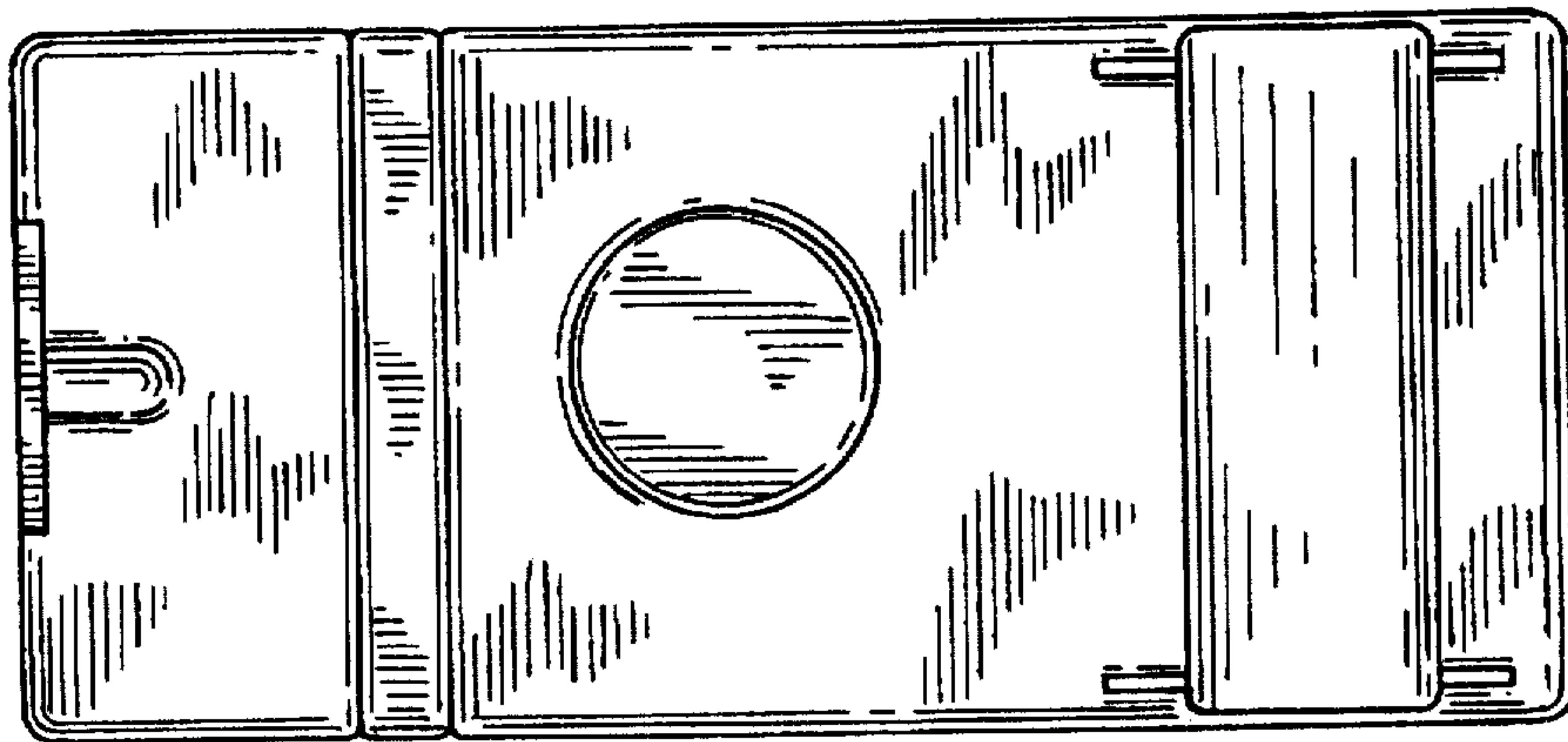
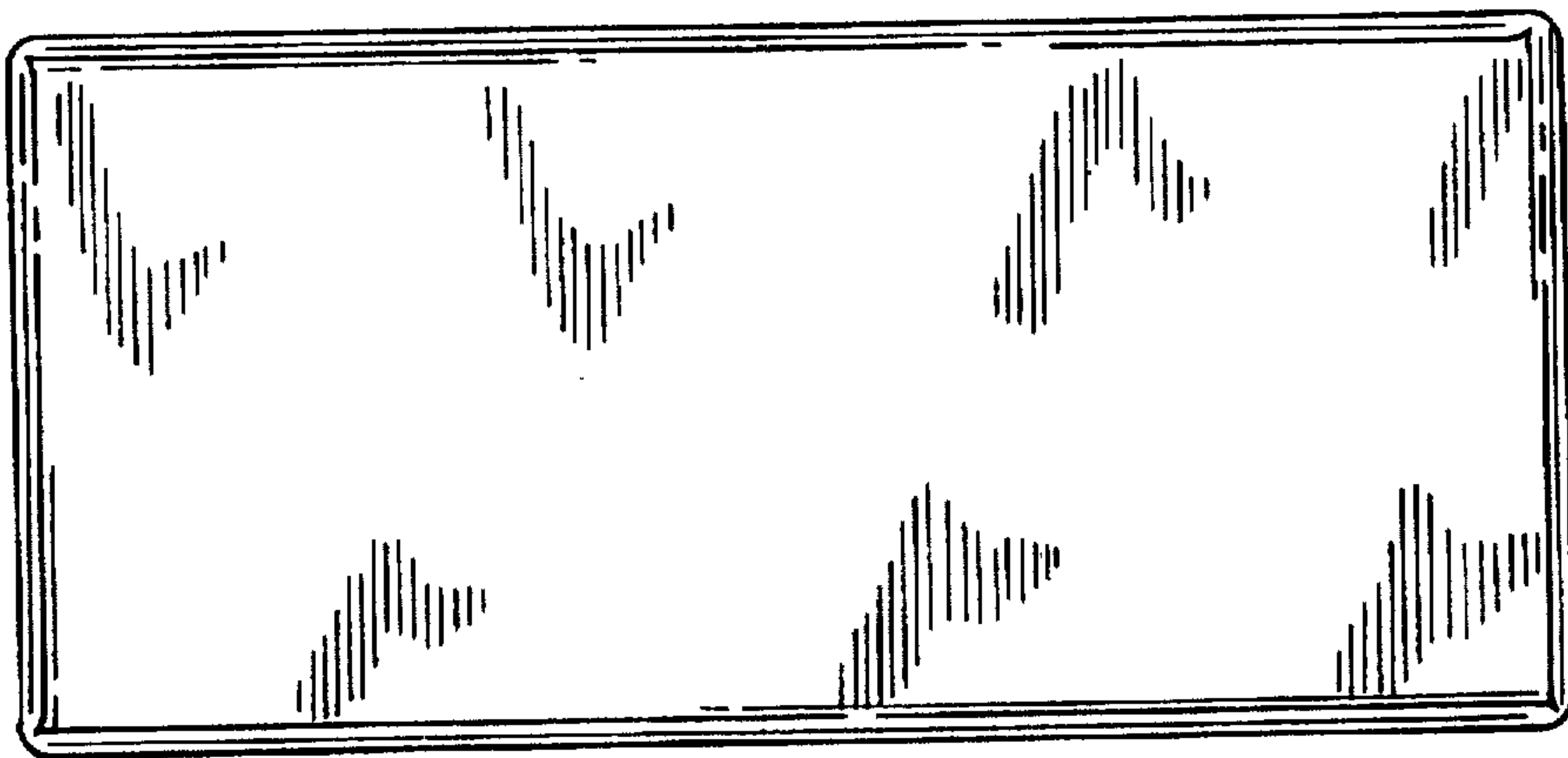


FIG. 4





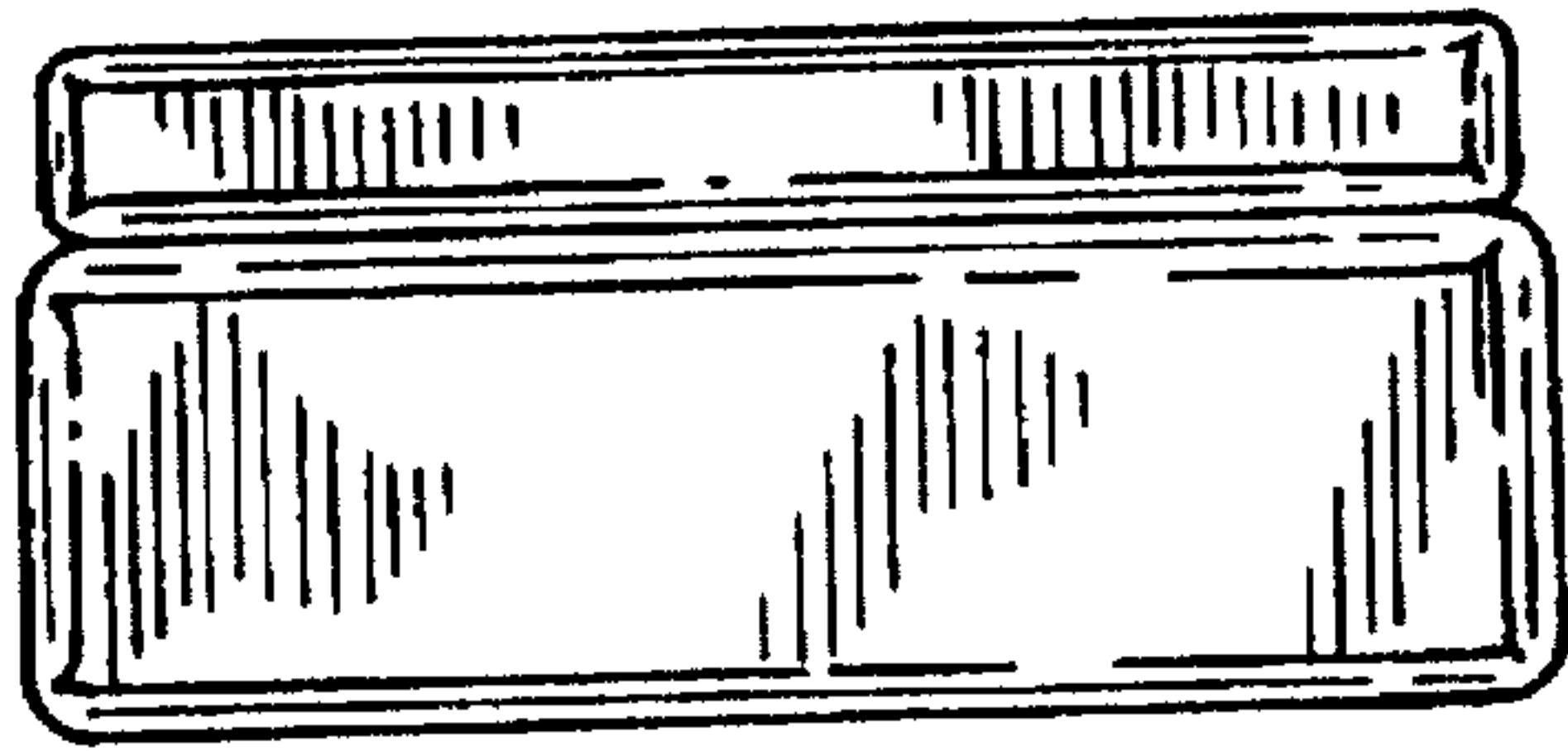


FIG. 5

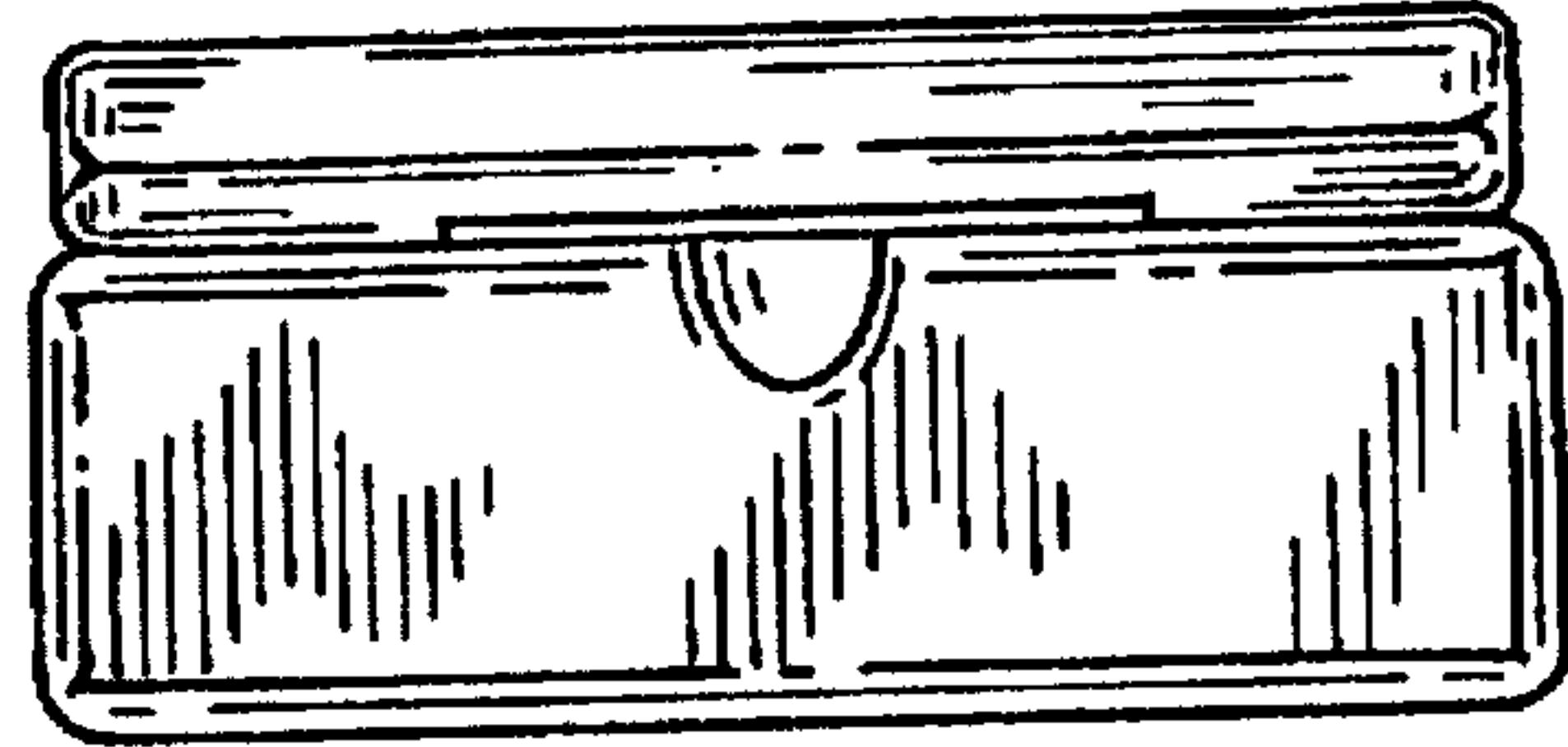


FIG. 6

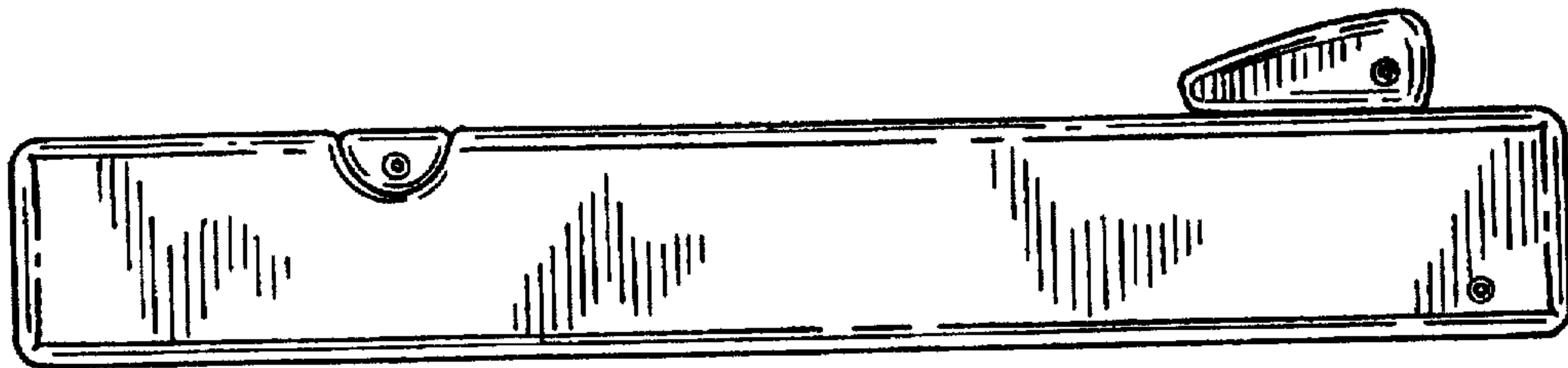


FIG. 7



FIG. 8