



US00D392142S

United States Patent [19]

Weisburn et al.

[11] Patent Number: Des. 392,142

[45] Date of Patent: **Mar. 17, 1998

[54] TOOL STORAGE RACK

[76] Inventors: **James T. Weisburn**, 902 Marion Ave. NW., Massillon, Ohio 44646; **Craig Saunders**, 21260 Stratford Ave., Rocky River, Ohio 44166; **Dale A. Panasewicz**, 15439 Sassafras, Strongsville, Ohio 44136; **Jeffrey M. Kalman**, 1849 Cadwell Ave., Cleveland Heights, Ohio 44118

[**] Term: 14 Years

[21] Appl. No.: 64,549

[22] Filed: Jan. 6, 1997

[51] LOC (6) Cl. 06-04

[52] U.S. Cl. D6/567; D6/553; D6/574

[58] Field of Search D6/553, 567, 552, D6/574, 512, 524; 206/349, 372, 376, 364, 377, 378, 379; 211/60.1, 13, 59.1, 74, 70.6, 86; 312/209

[56] References Cited

U.S. PATENT DOCUMENTS

- D. 299,687 2/1989 Handler et al. D6/574
- D. 309,687 8/1990 Embree et al. D6/567

- D. 341,047 11/1993 Sanchez D6/524
- 2,172,172 9/1939 Mount 211/134
- 4,411,868 10/1983 Noack 211/60.1 X
- 4,966,288 10/1990 Kirkham 211/60.1
- 5,027,955 7/1991 Shoemaker et al. 211/40

Primary Examiner—Pamela J. Burgess

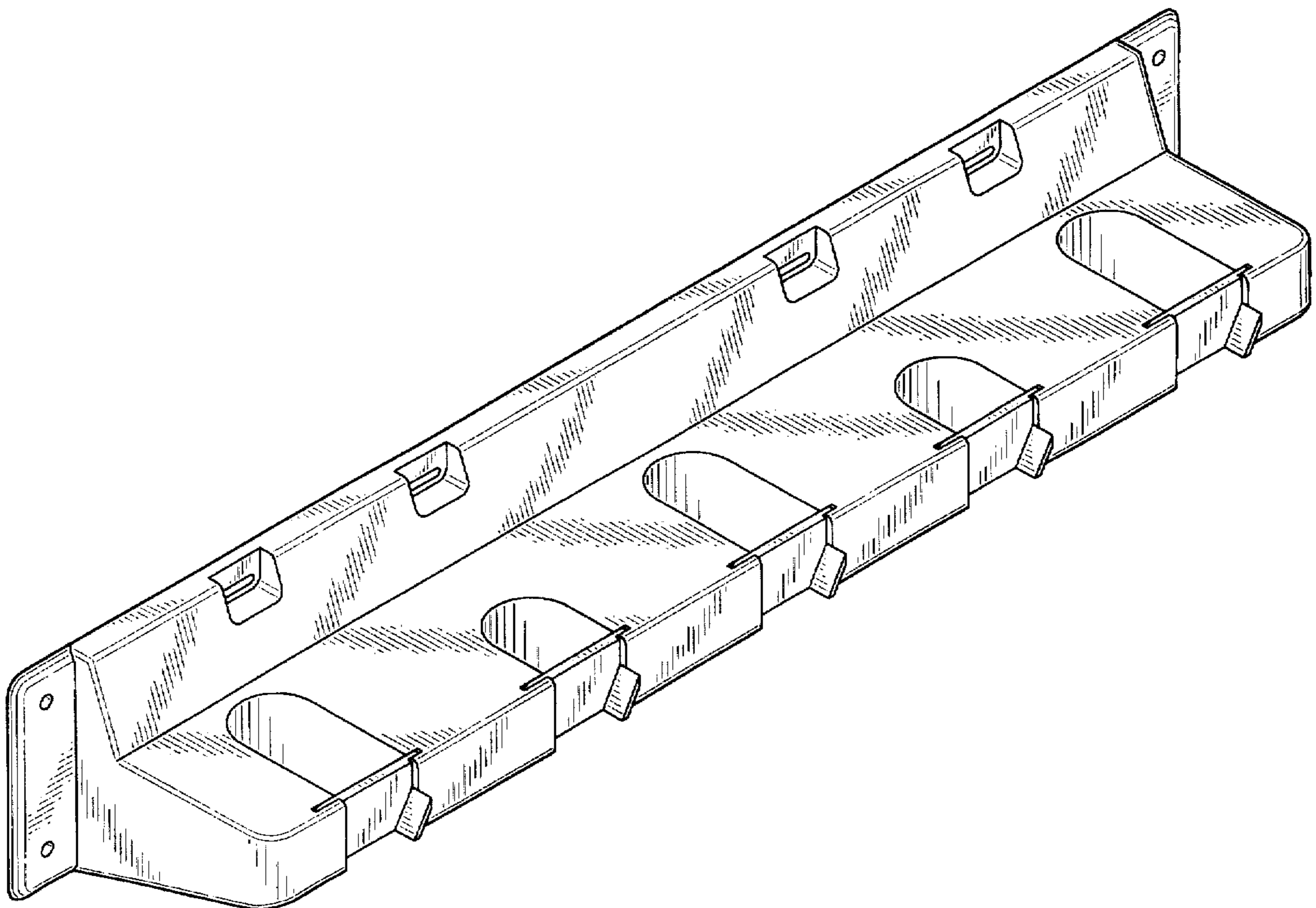
[57] CLAIM

The ornamental design for a tool storage rack, as shown and described.

DESCRIPTION

FIG. 1 is a top perspective view of a tool storage rack showing our new design;
 FIG. 2 is a top plan view of FIG. 1;
 FIG. 3 is a front elevational view of FIG. 2;
 FIG. 4 is a left side elevational view of FIG. 3;
 FIG. 5 is a right side elevational view of FIG. 3;
 FIG. 6 is a bottom plan view of FIG. 2;
 FIG. 7 is a rear elevational view of FIG. 2;
 FIG. 8 is a top plan view similar to FIG. 2 of a modified embodiment thereof;
 FIG. 9 is a front elevational view of FIG. 8;
 FIG. 10 is a left side elevational view of FIG. 9; and
 FIG. 11 is a right side elevational view of FIG. 9.

1 Claim, 4 Drawing Sheets



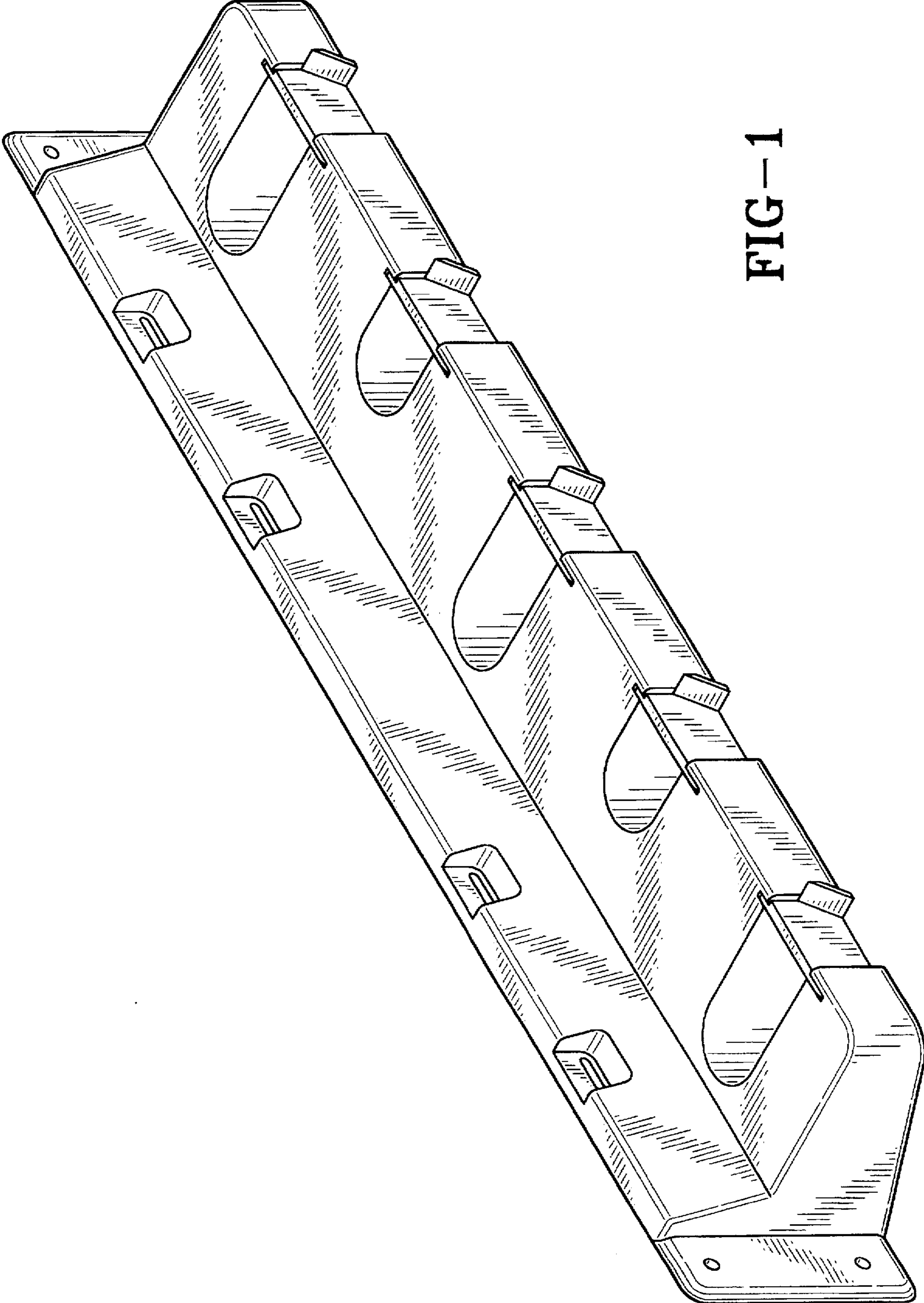


FIG-1

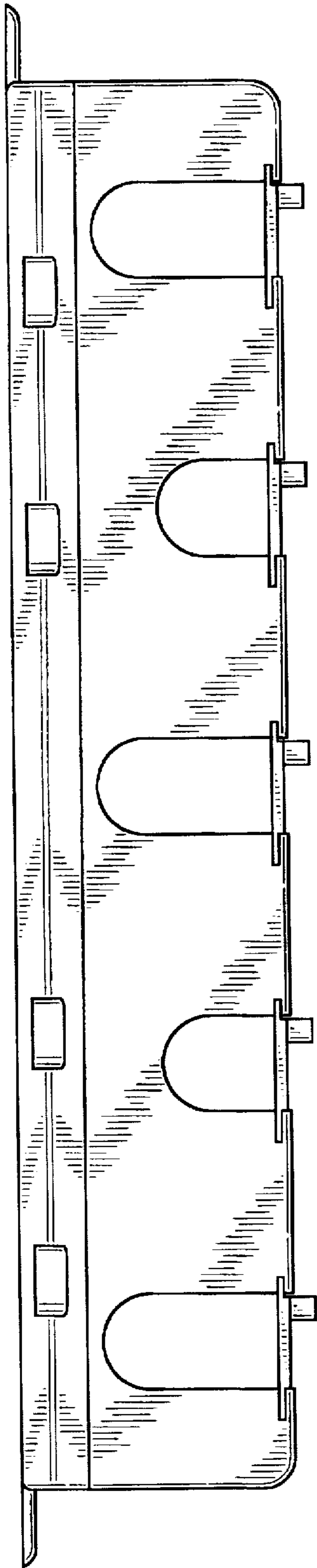


FIG-2

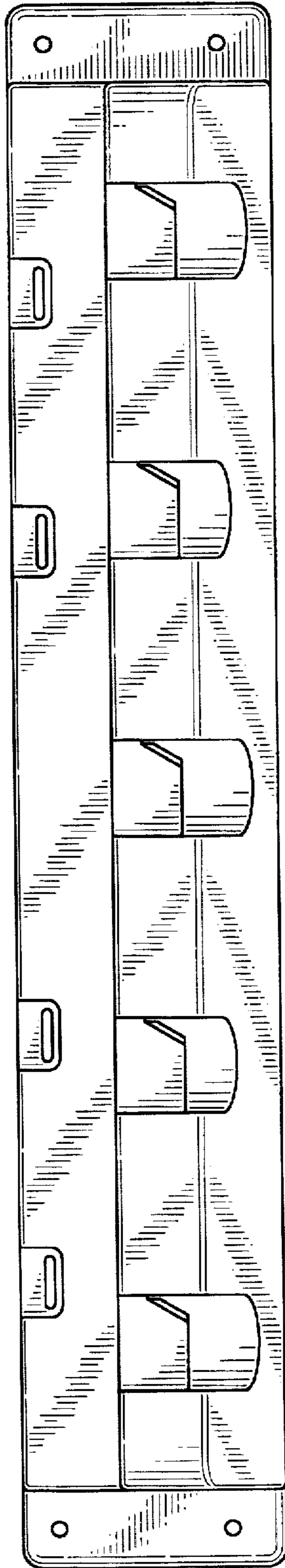


FIG-3

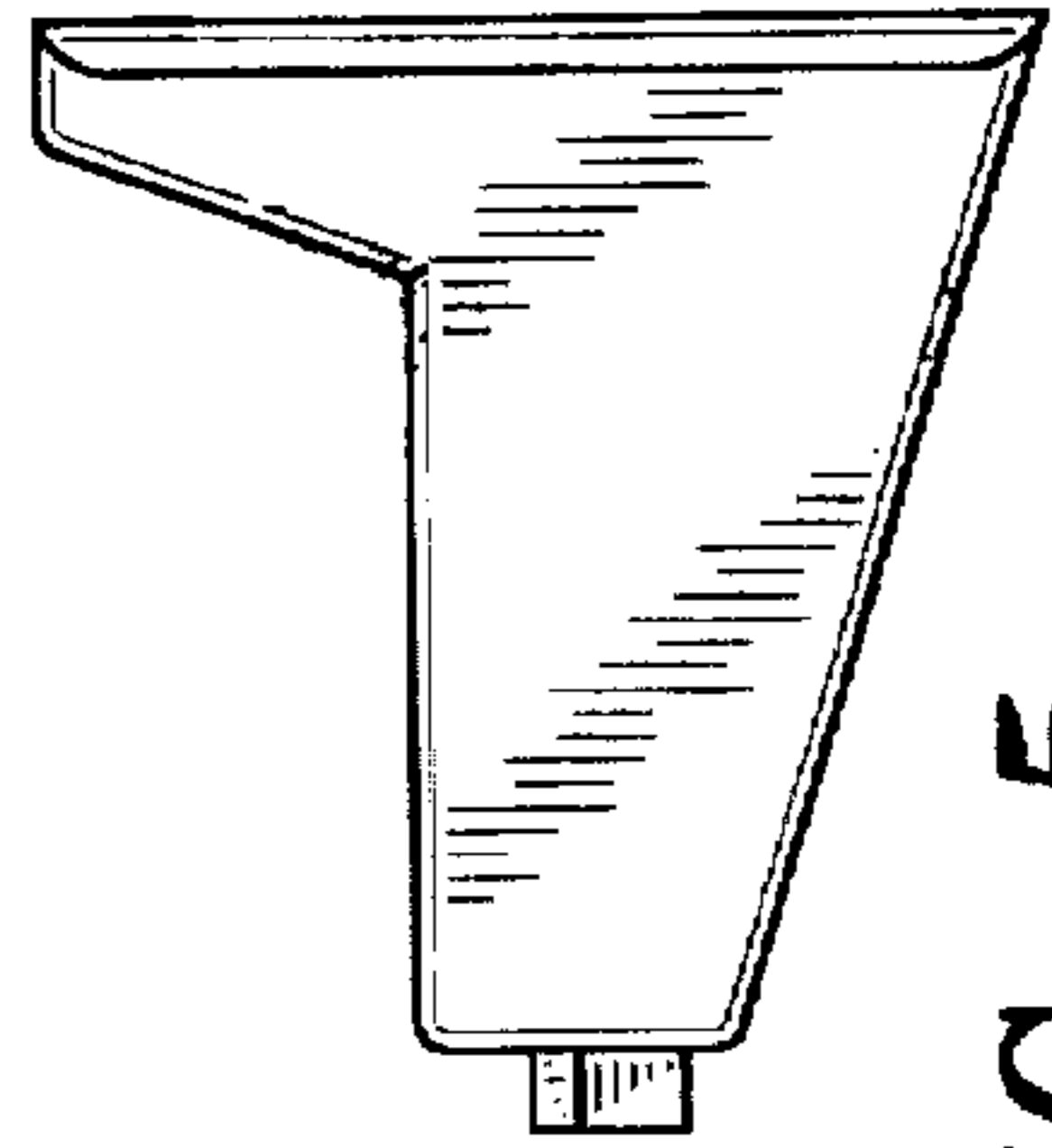


FIG-5

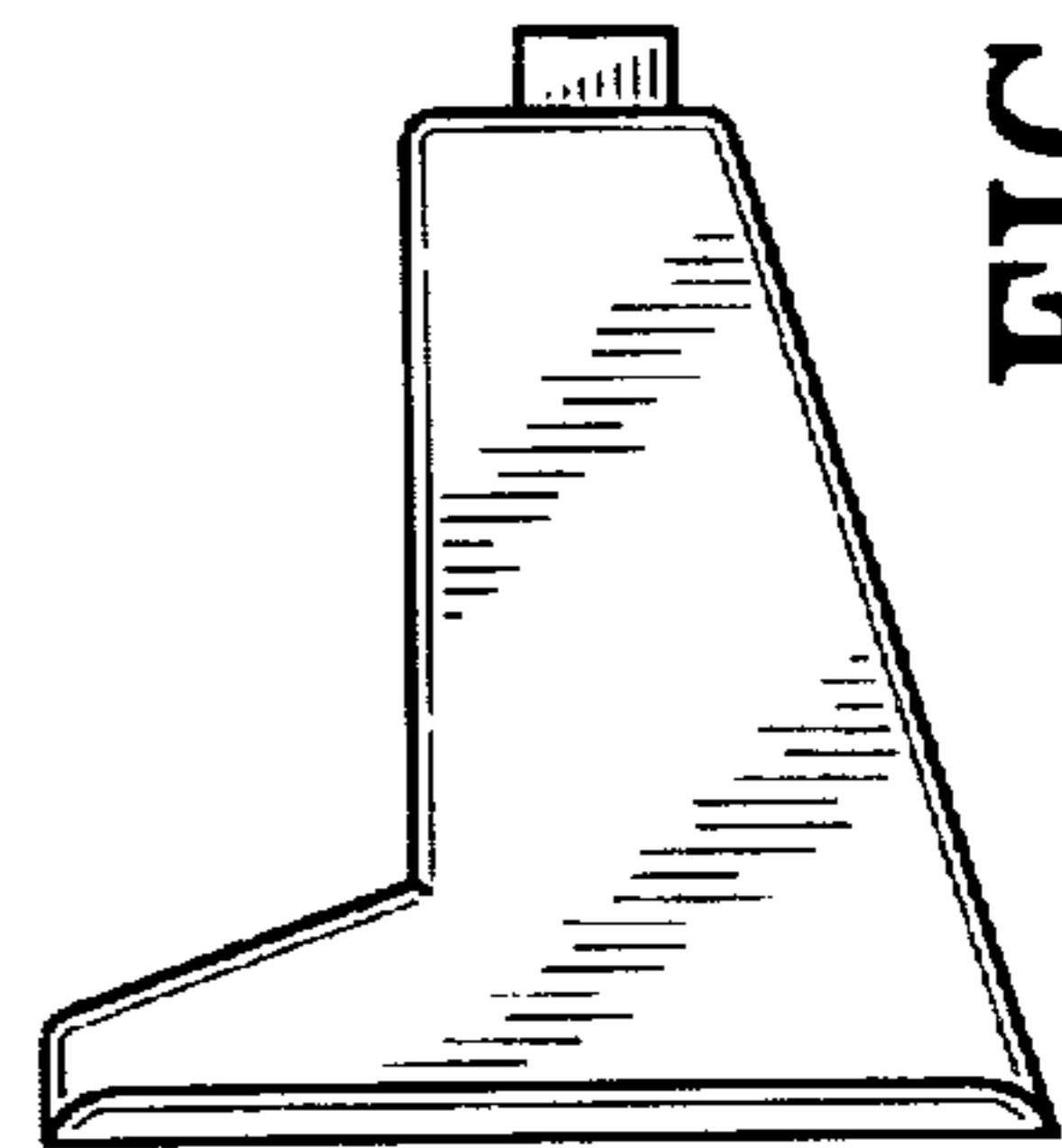


FIG-4

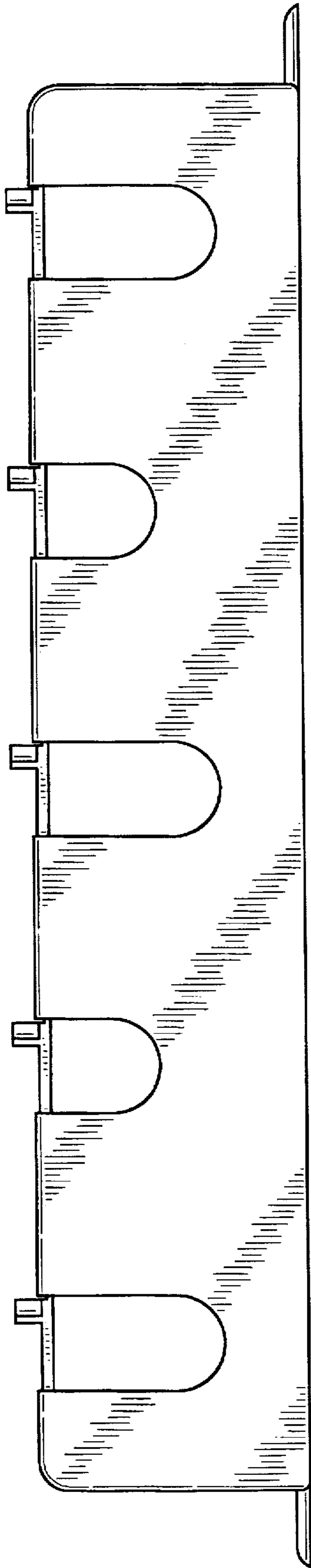


FIG-6

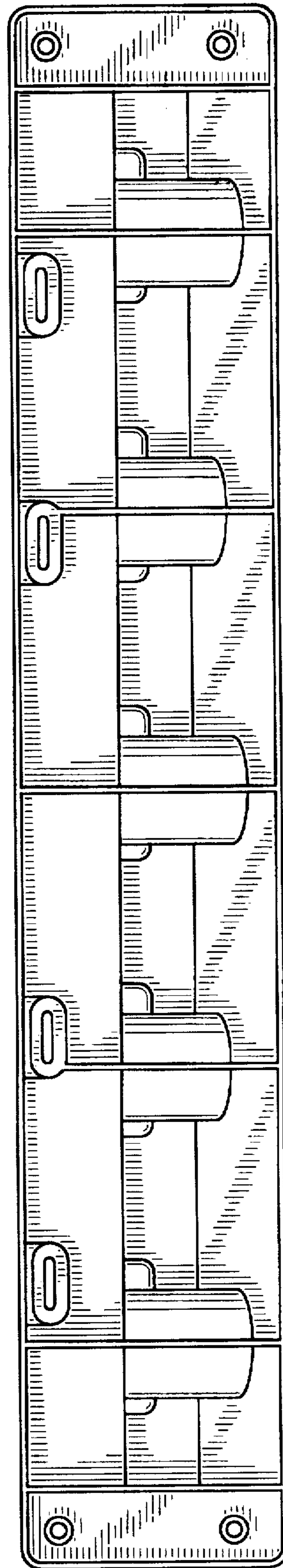


FIG-7

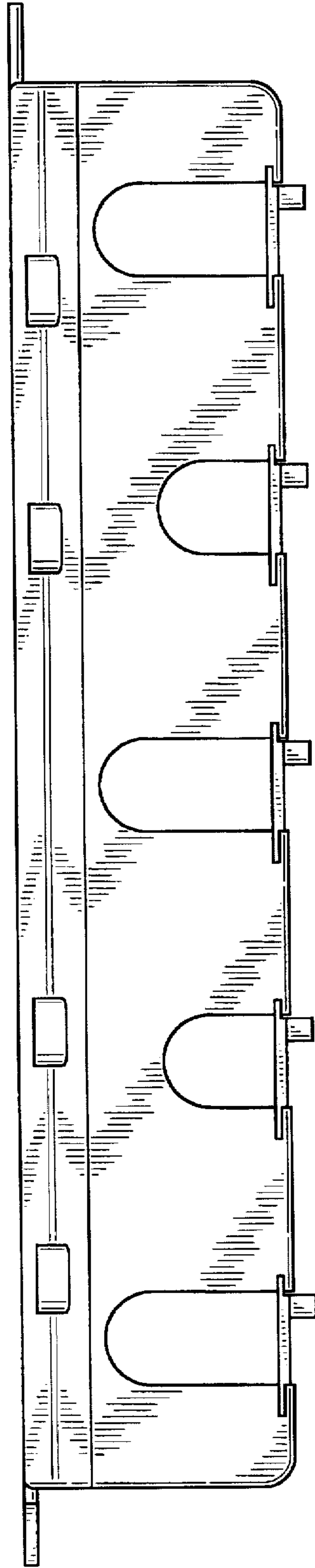


FIG-8

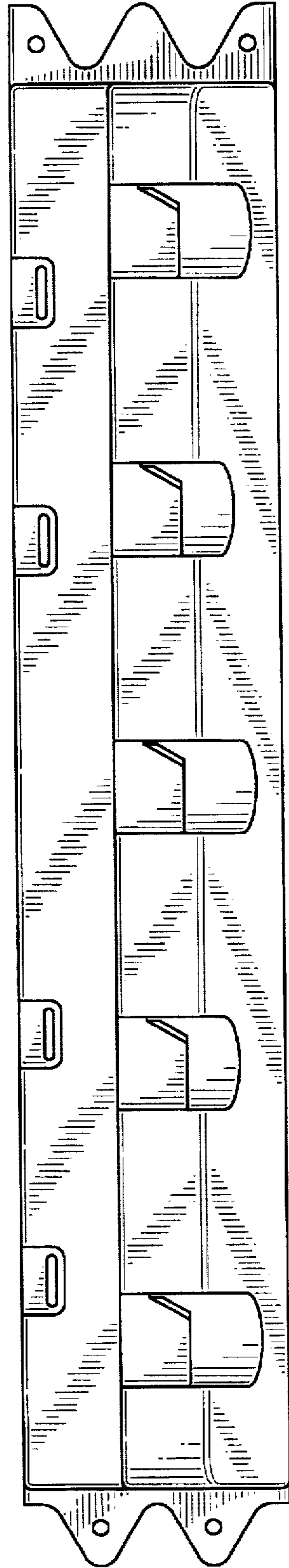


FIG-9

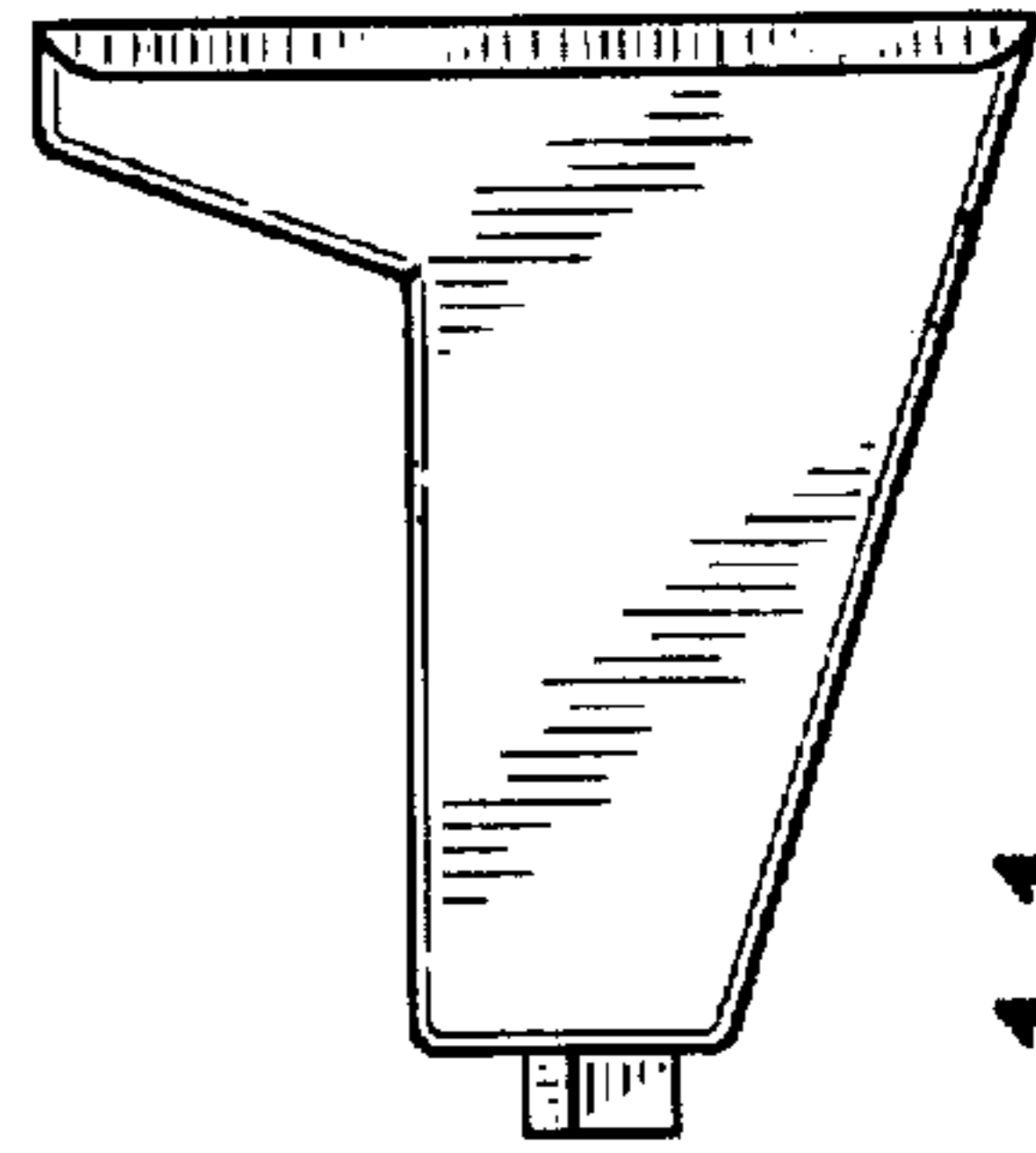


FIG-11

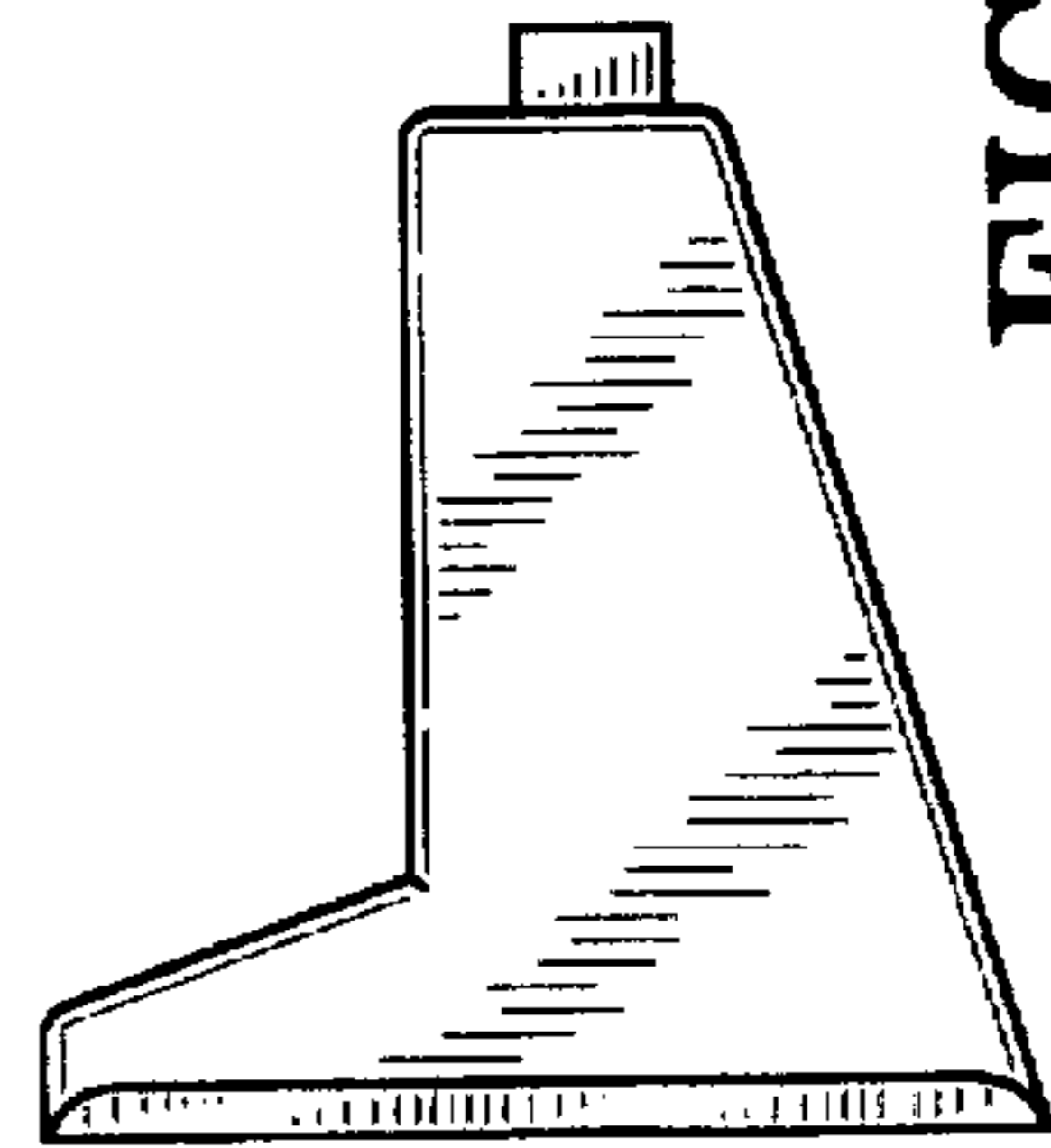


FIG-10