



US00D392135S

United States Patent [19]

Pagán-Demirtas et al.

[11] Patent Number: Des. 392,135

[45] Date of Patent: **Mar. 17, 1998

[54] SHOWER CADDY

[75] Inventors: **Marlene Pagán-Demirtas**, Brookhaven, Pa.; **Timothy O'Hara**, Delran, N.J.

[73] Assignee: **Zenith Products Corp.**, New Castle, Del.

[**] Term: **14 Years**

[21] Appl. No.: **59,906**

[22] Filed: **Sep. 17, 1996**

[51] LOC (6) Cl. **07-07**

[52] U.S. Cl. **D6/525**

[58] Field of Search D6/524-525; 211/13, 211/49.1, 60.1, 70.6, 71, 74, 75, 86-88, 90, 119, 128, 134; 248/108-109, 175-176

[56] References Cited

U.S. PATENT DOCUMENTS

D. 293,183 12/1987 Aaron D6/525
D. 349,002 7/1994 Greger D6/525

OTHER PUBLICATIONS

"Hold Everything" Catalogue, p. 5, Shower Caddy.

Primary Examiner—Brian N. Vinson

Attorney, Agent, or Firm—Edgar A. Zarins; Malcolm L. Sutherland

[57] CLAIM

The ornamental design for a shower caddy, as shown and described.

DESCRIPTION

FIG. 1 is a perspective view of a shower caddy showing our new design;

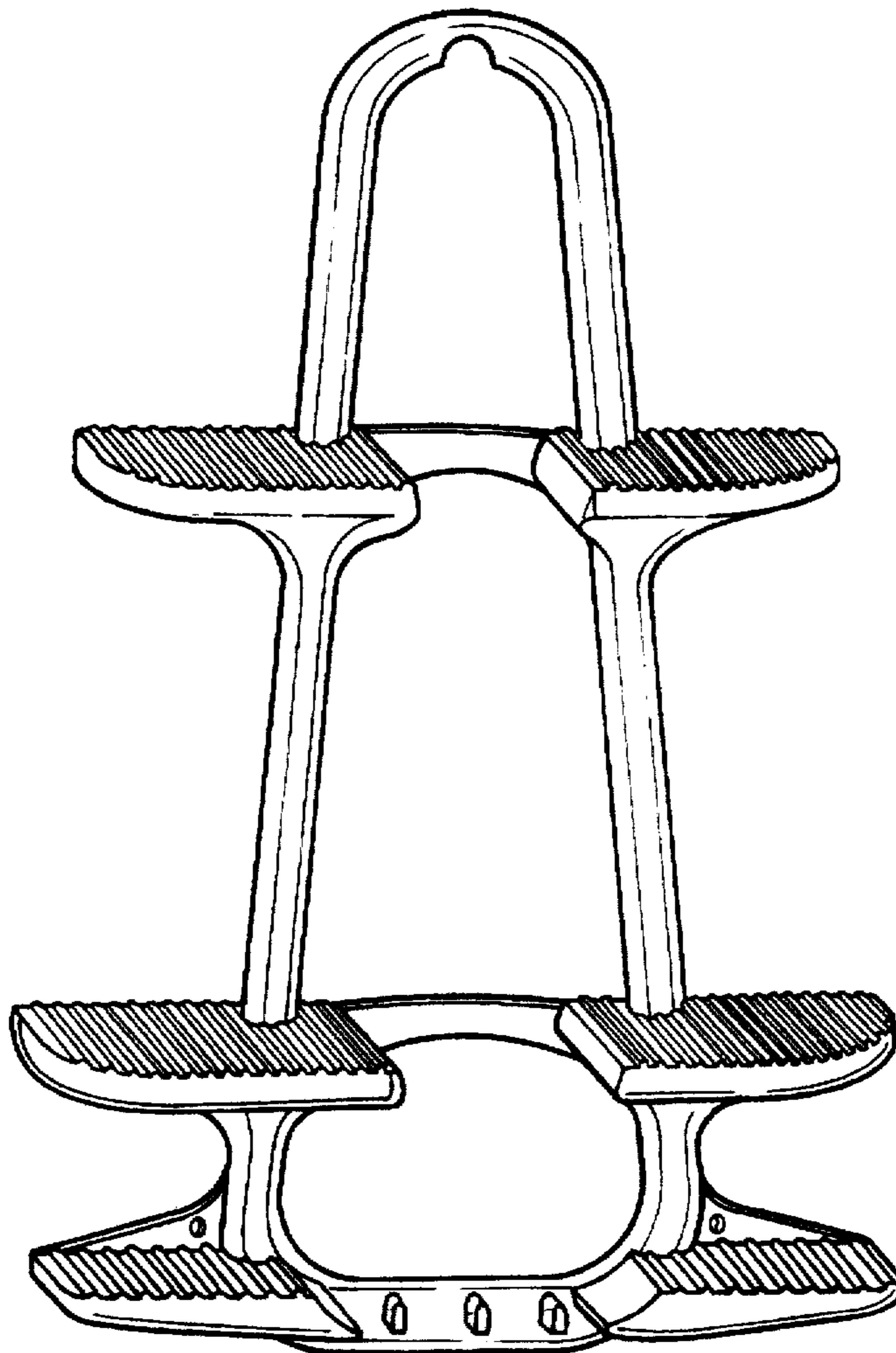
FIG. 2 is a right side view thereof, the opposite side being a mirror image of the side shown;

FIG. 3 is a front elevational view thereof;

FIG. 4 is a top plan view thereof; and,

FIG. 5 is a bottom plan view thereof.

1 Claim, 2 Drawing Sheets



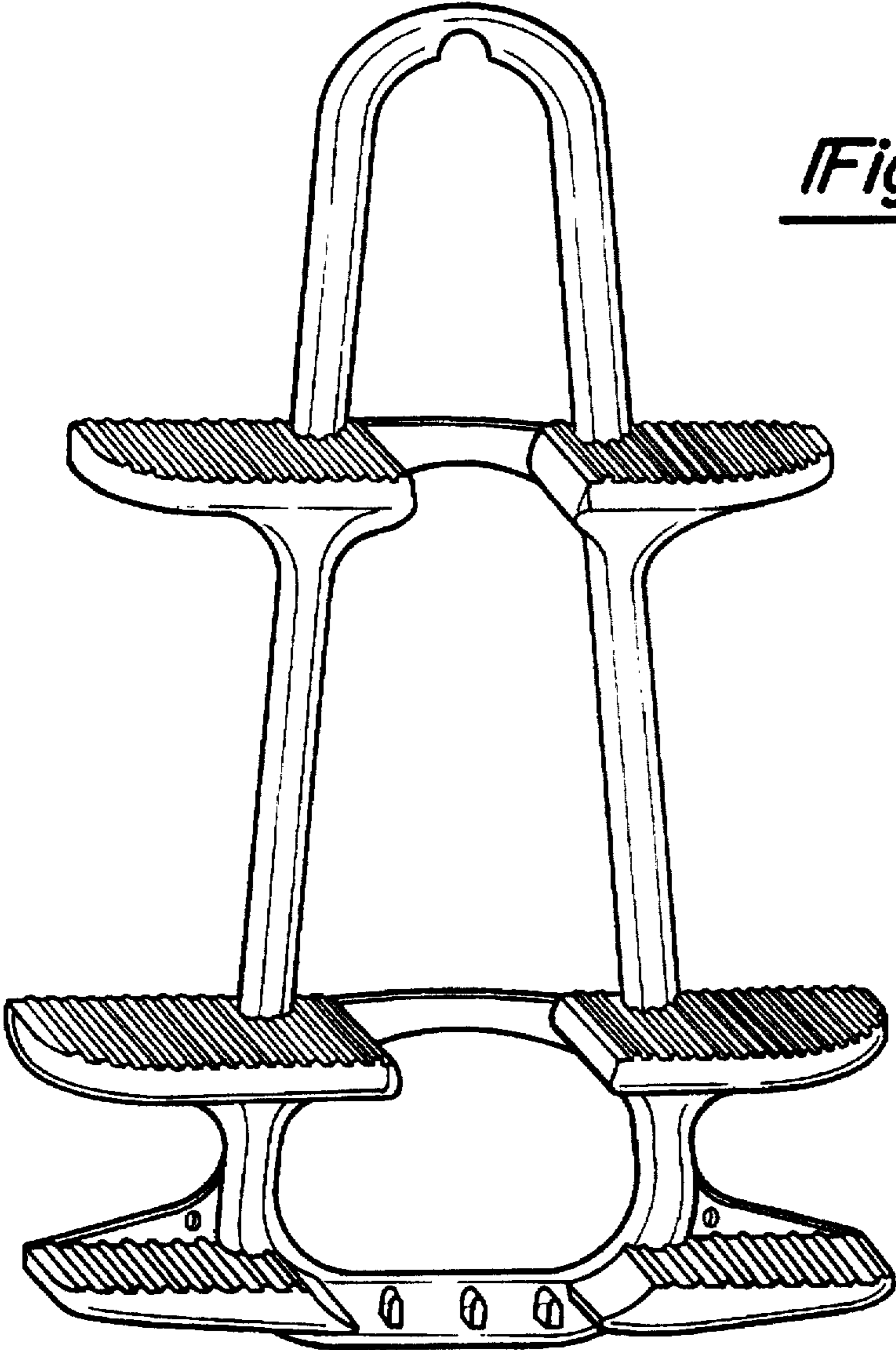


Fig - 1

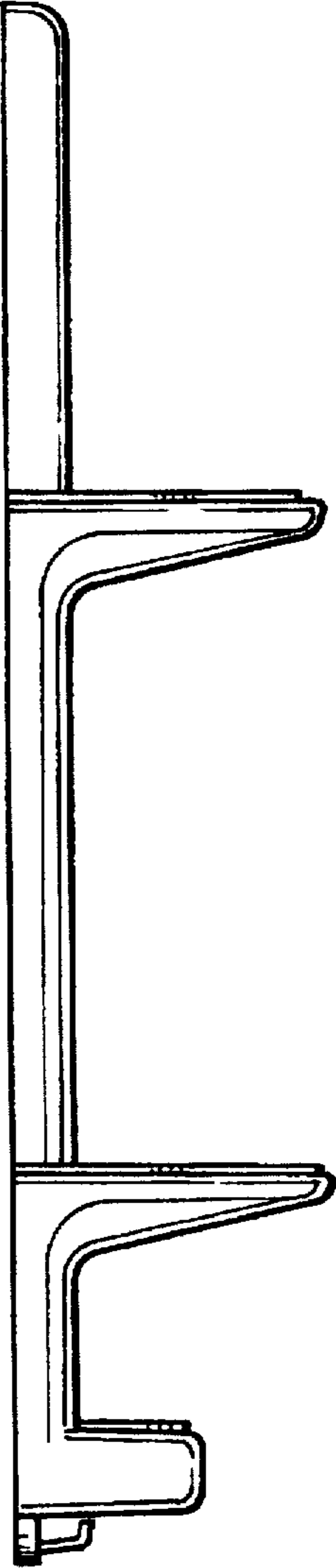


Fig - 2

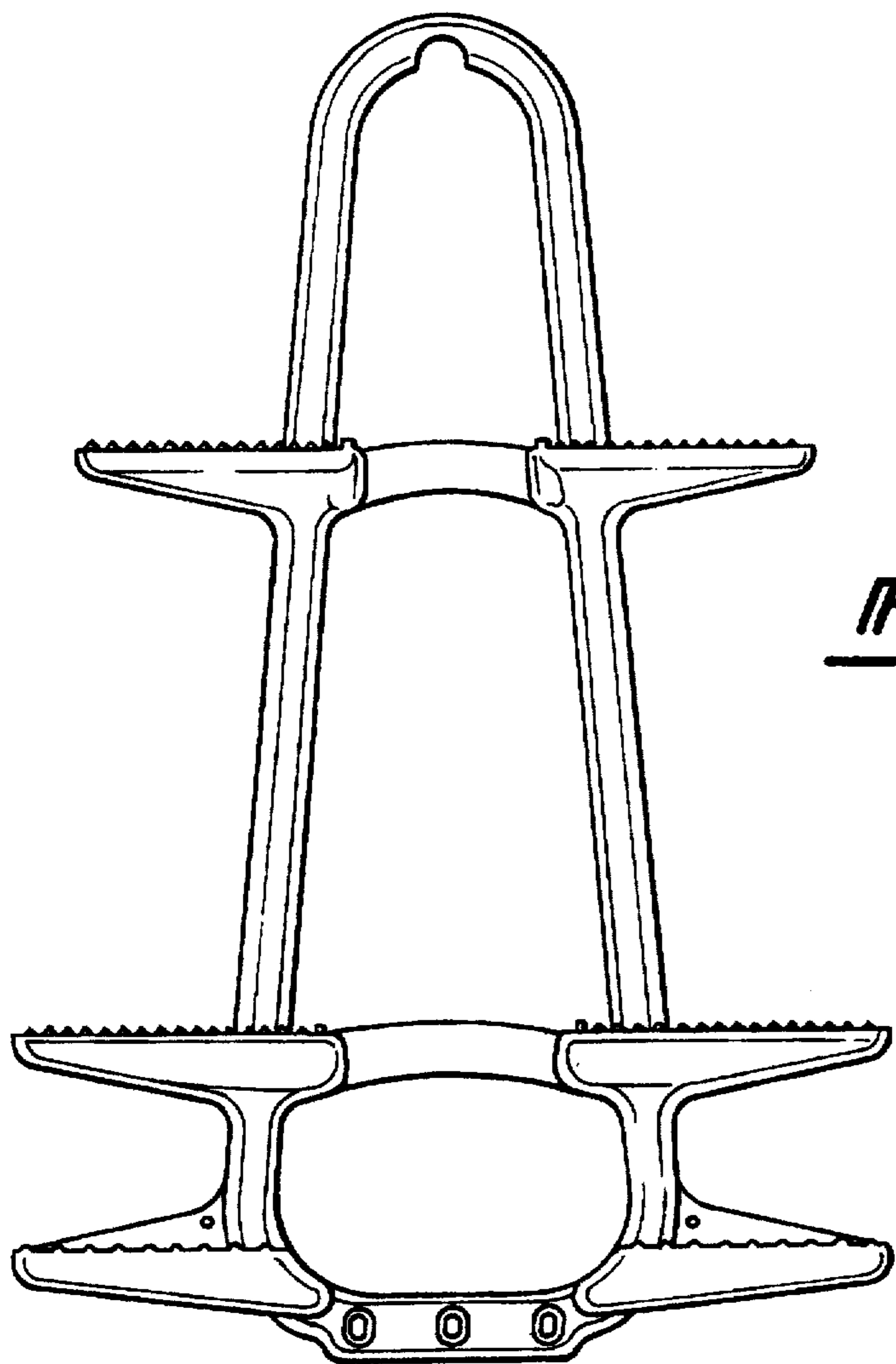


Fig - 3

Fig - 4

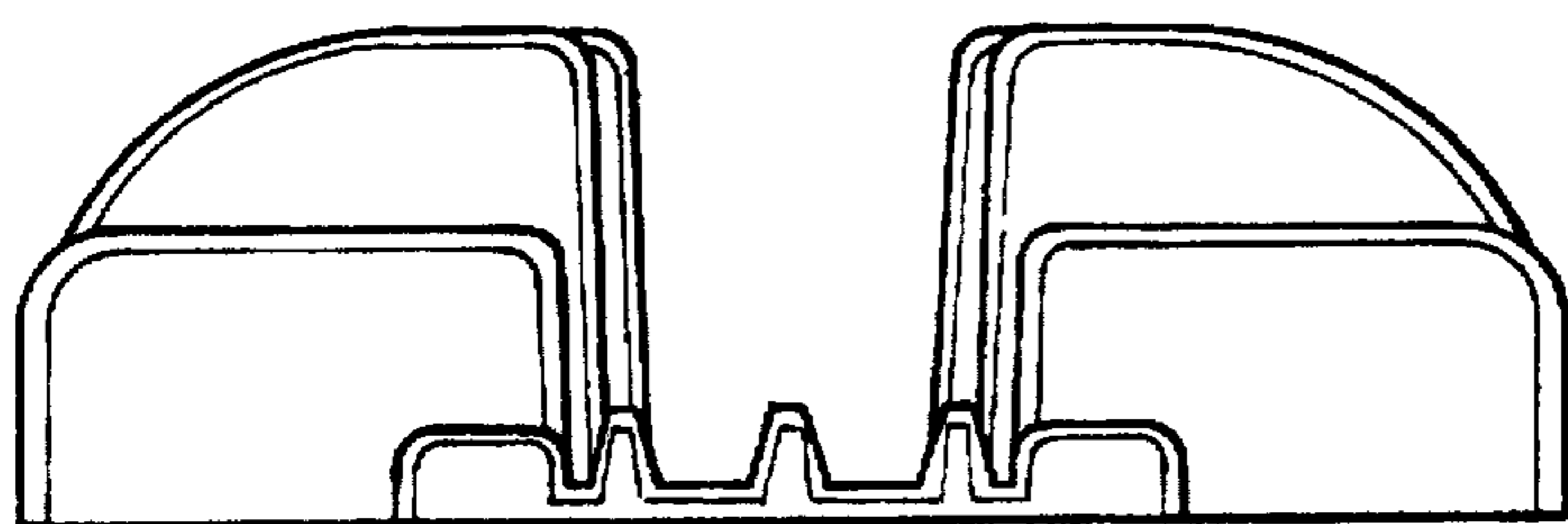
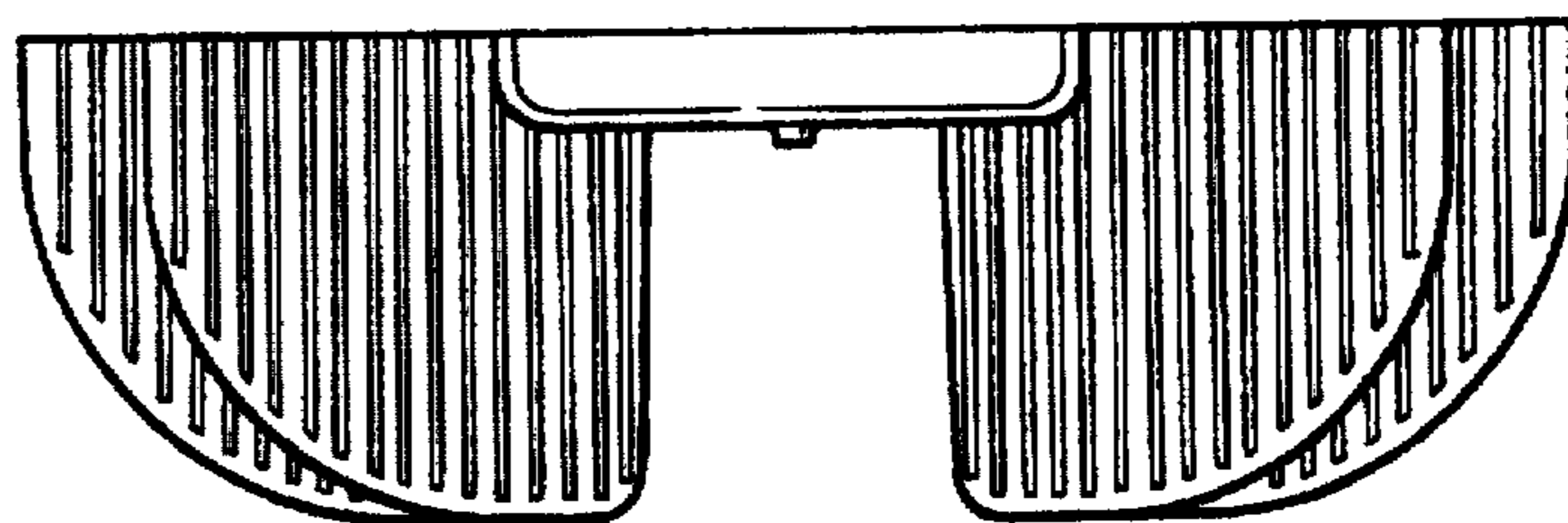


Fig - 5