



US00D392132S

United States Patent [19]

Barlow-Lawson

[11] Patent Number: **Des. 392,132**

[45] Date of Patent: ****Mar. 17, 1998**

[54] **FURNITURE TOP**

[76] Inventor: **Stephen Barlow-Lawson**, 129 W. 22nd,
New York, N.Y. 10011

[**] Term: **14 Years**

[21] Appl. No.: **67,381**

[22] Filed: **Mar. 5, 1997**

[51] LOC (6) Cl. **06-04**

[52] U.S. Cl. **D6/511**

[58] Field of Search D6/477-480, 431,
D6/474, 426, 509, 427, 511, 430, 490,
425, 483; 211/70.1, 72, 133, 135, 128,
186, 189, 169; 108/6, 7, 42, 94-96, 104,
105, 138, 143, 145, 147, 13, 28, 64, 83,
88, 59, 60; 248/127, 146, 152, 174, 176.1,
918; 312/257.1, 270.1, 321, 330.1, 323,
238

[56] **References Cited**

U.S. PATENT DOCUMENTS

D. 338,577 8/1993 Vonhausen D6/484

D. 379,273 5/1997 Sims D6/474 X
4,632,349 12/1986 Anstey 108/96 X
4,781,126 11/1988 Lochridge 108/6
5,522,323 6/1996 Richard 108/147 X

Primary Examiner—James Gandy
Assistant Examiner—Linda Brooks
Attorney, Agent, or Firm—Henry M. Feiereisen

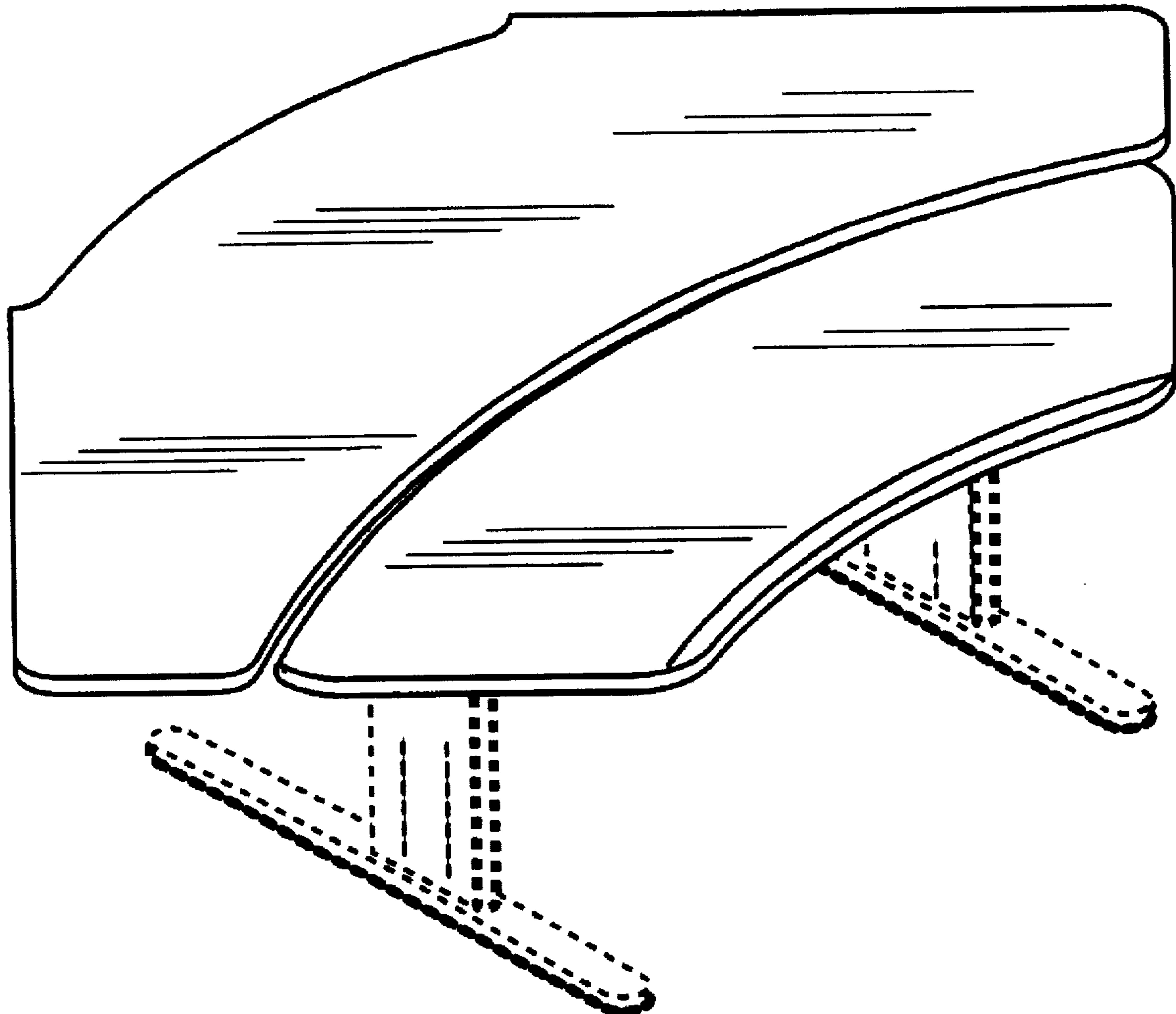
[57] CLAIM

The ornamental design for a furniture top, as shown and described.

DESCRIPTION

FIG. 1 is a top view of a furniture top showing my new design;
FIG. 2 is a left hand side elevational view thereof, with the right-hand side being a mirror image thereof, the broken lines are for environmental puposes only and form no part of the claimed design;
FIG. 3 is a front elevational view thereof;
FIG. 4 is a bottom view thereof;
FIG. 5 is a rear elevational view thereof; and,
FIG. 6 is a top, front and side perspective view thereof.

1 Claim, 1 Drawing Sheet



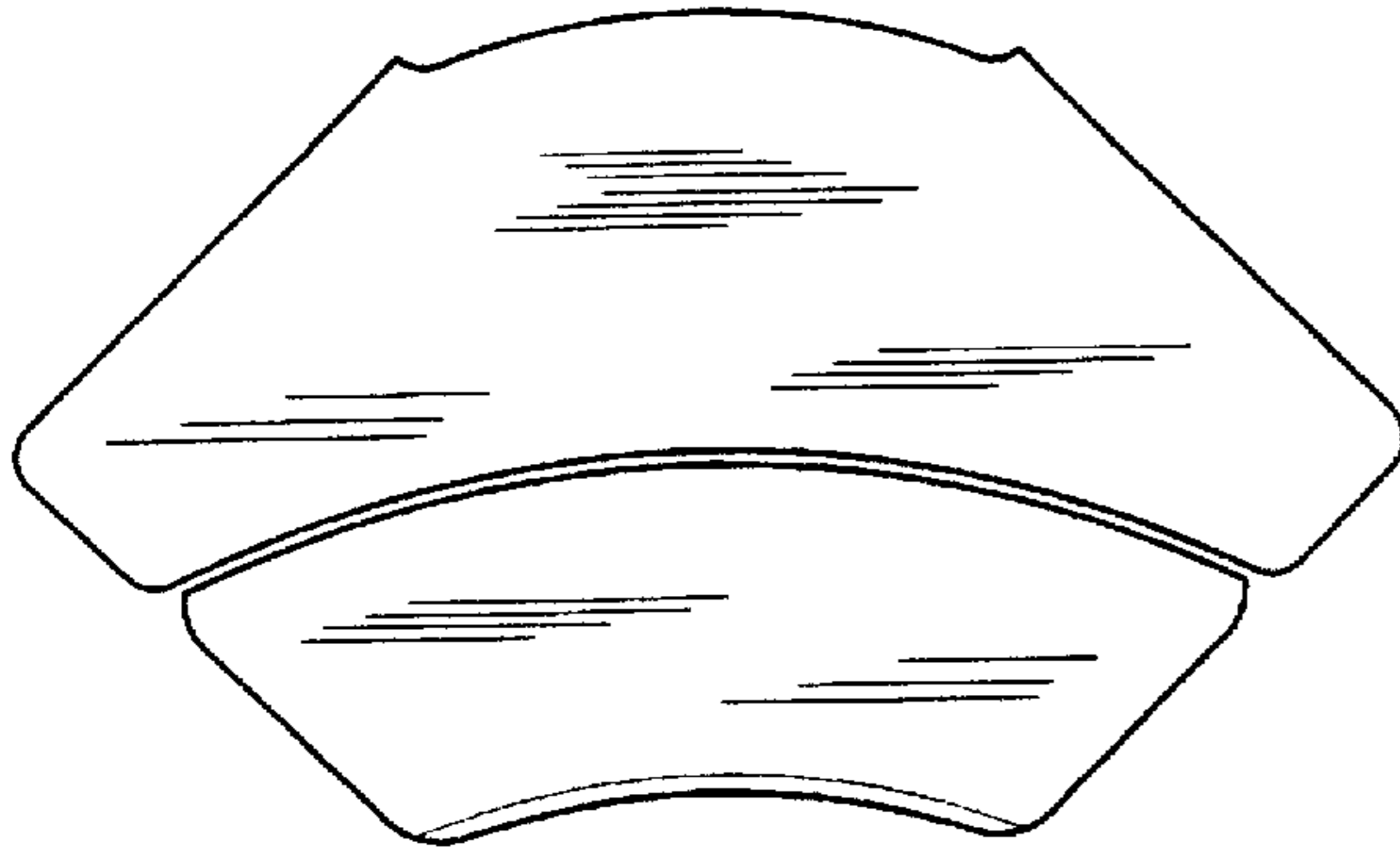


Fig. 1

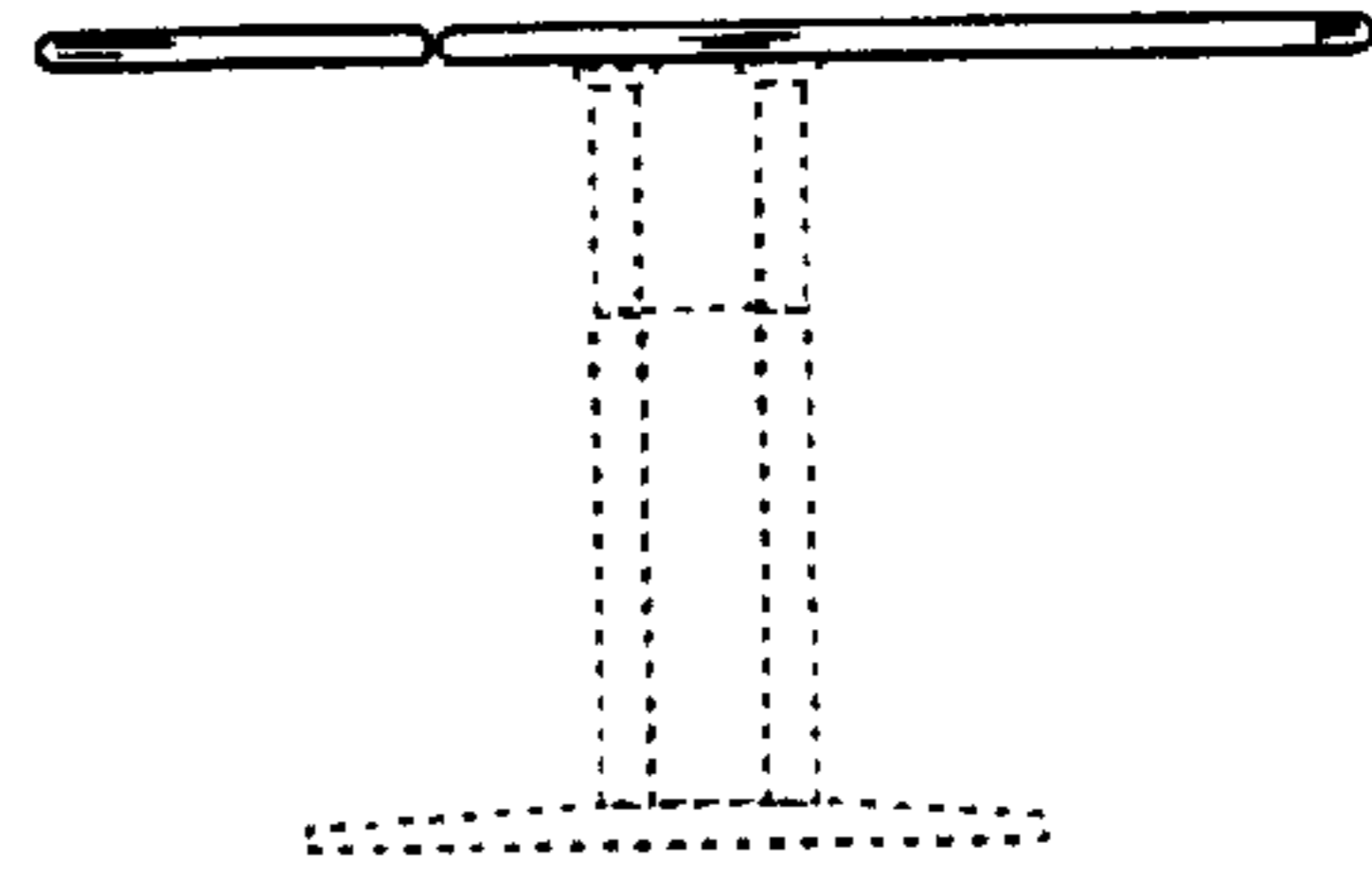


Fig. 2

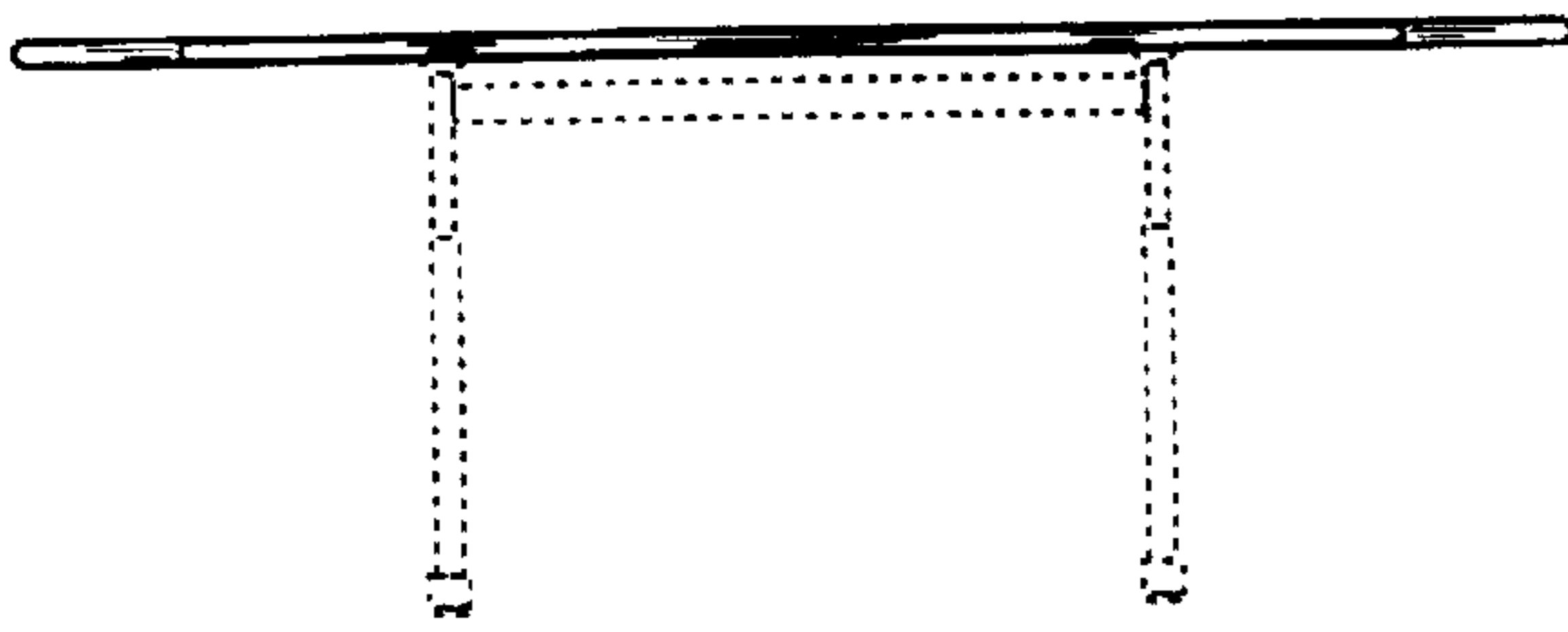


Fig. 3

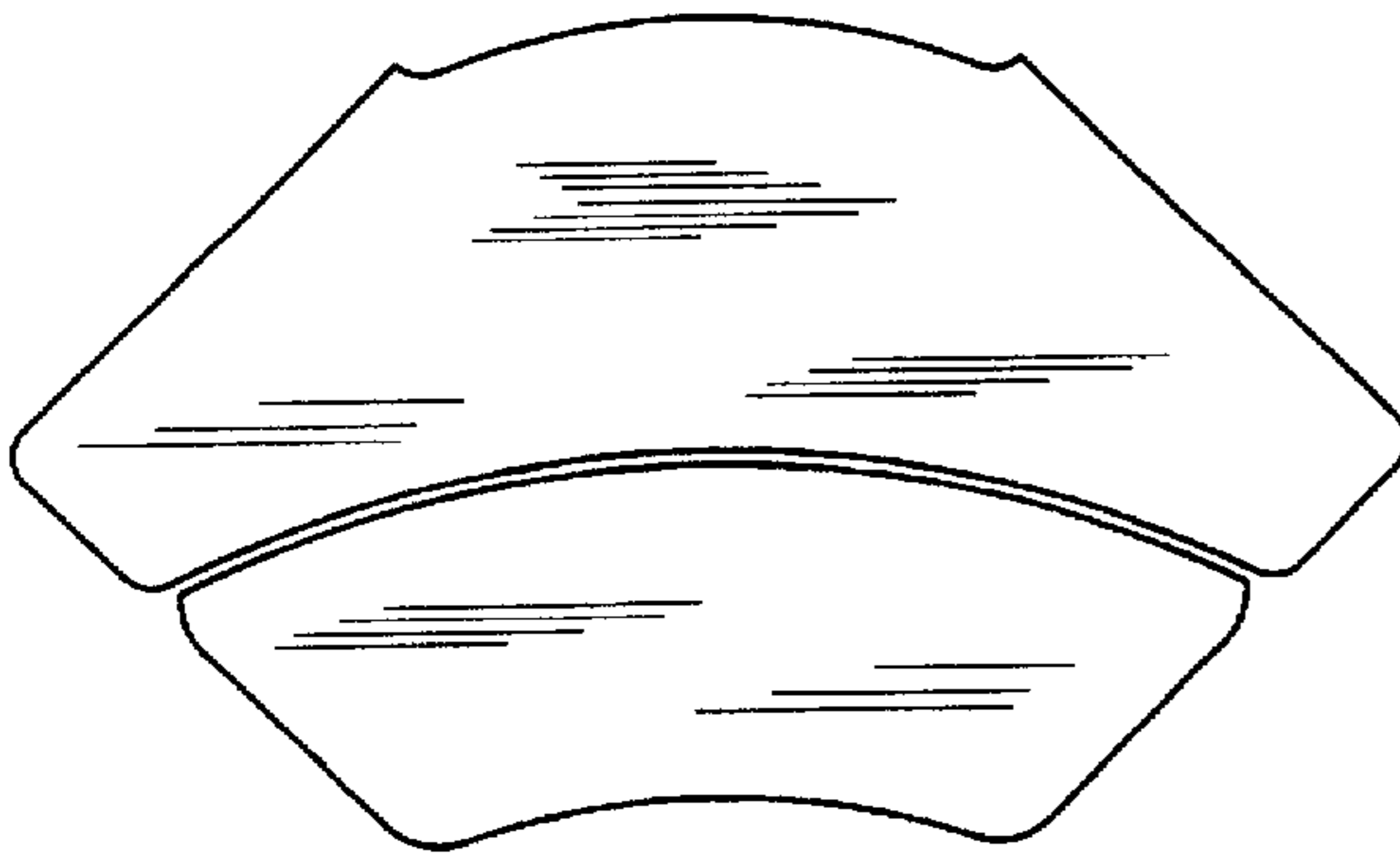


Fig. 4

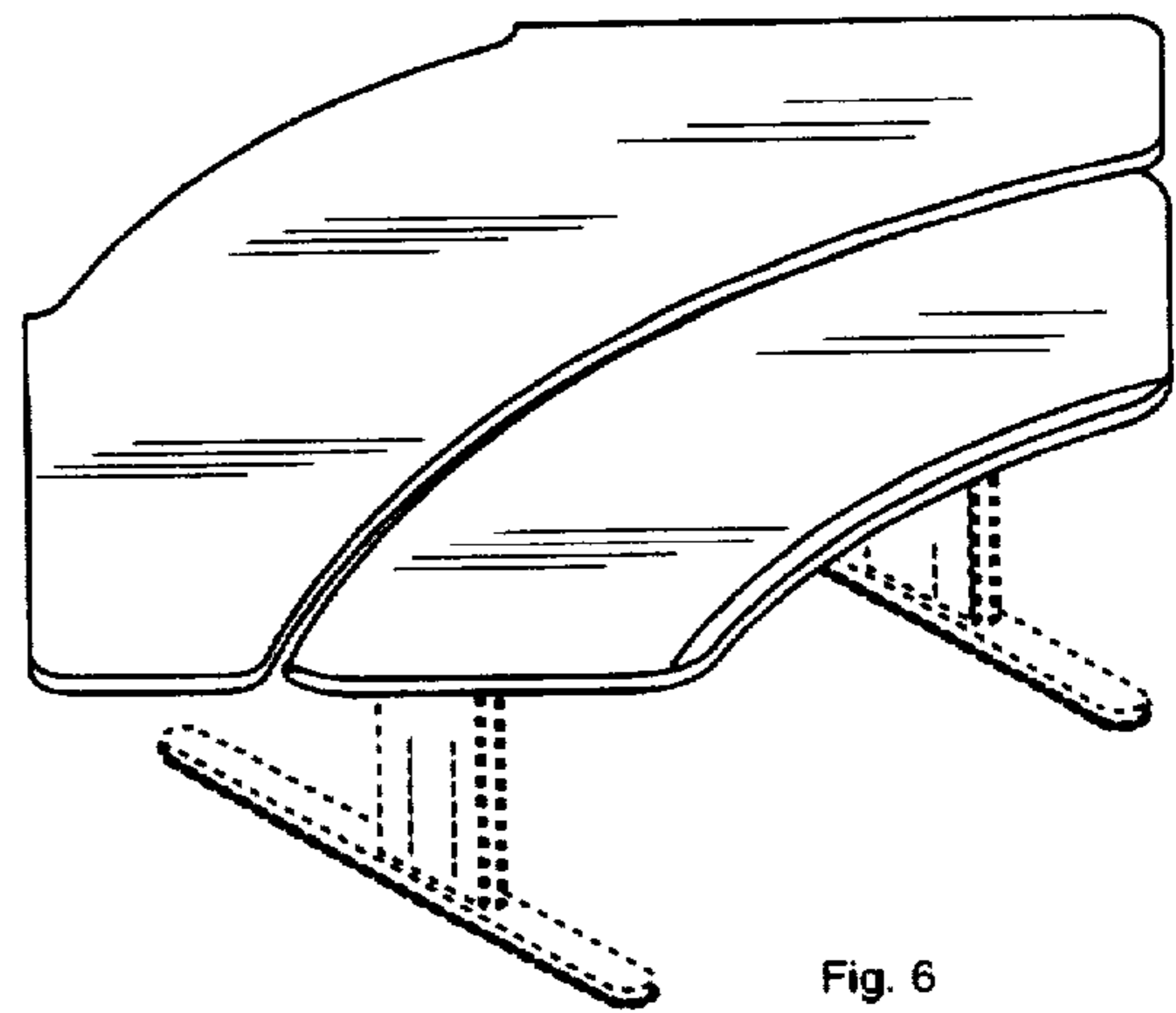


Fig. 6

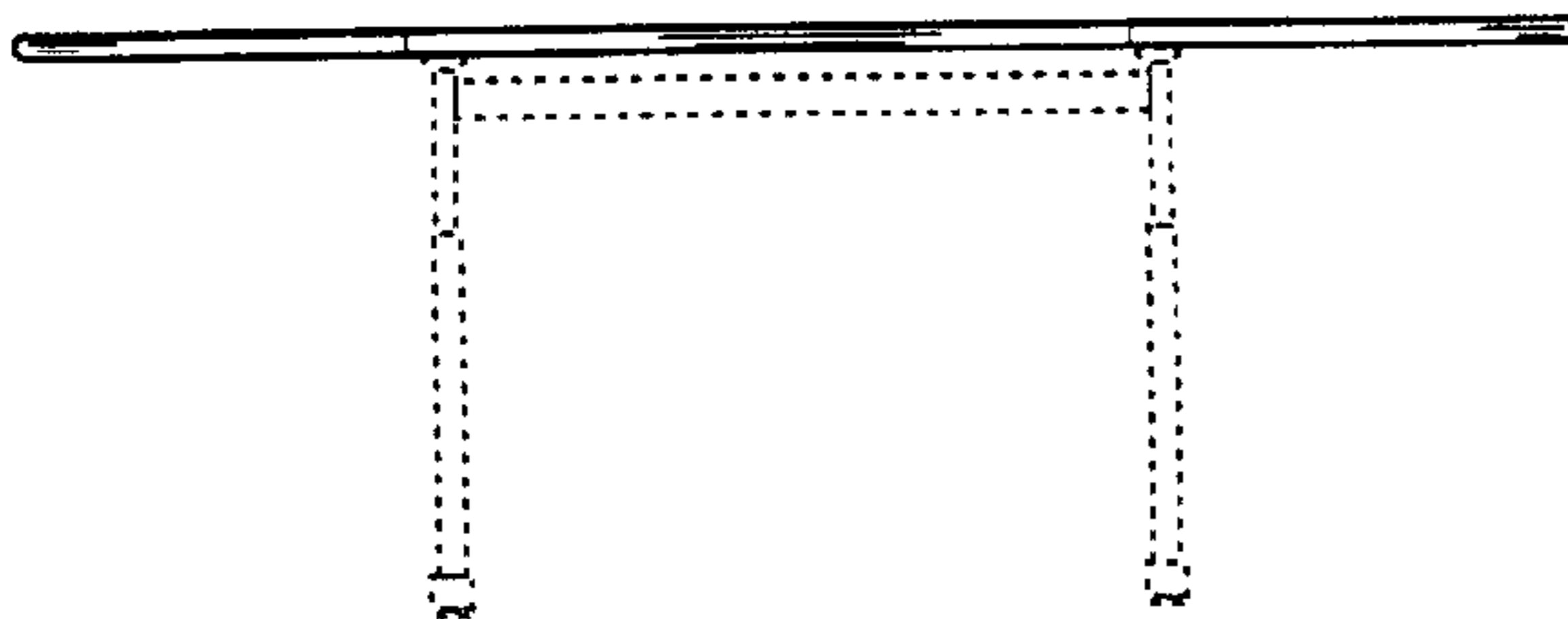


Fig. 5